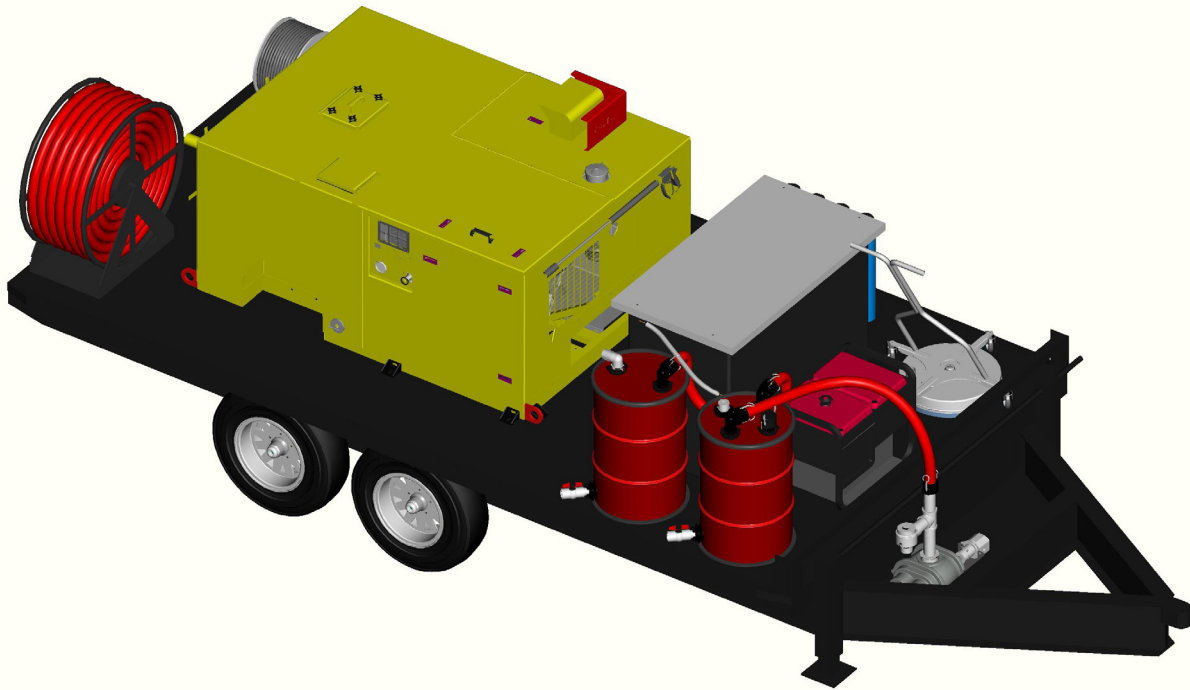


# Parts Catalog

## PowerBlast



## PREFACE

Thank you for your purchase of the now industry standard for sweepers. PowerBoss takes great pride in offering the most dependable, reliable and best value in industrial power sweepers and sweeper / scrubbers. We set the standard.

Our Publishing Department would like to hear from you. If you see any errors, omissions or something that needs clarification in this Spare Parts Catalog please let us know. We are working hard toward perfection in our corner of the process to bring you the best you can buy. Please copy the form below, fill out and comment on how you found our catalog.

Thank you.

\*Name \_\_\_\_\_

\*Title: \_\_\_\_\_

\*Company Name: \_\_\_\_\_

\*Address: \_\_\_\_\_

\*Country: \_\_\_\_\_

Type of equipment or model number: \_\_\_\_\_

Comments:

\*Information is optional.

Please return to:

Manager, Publishing Department, International  
PowerBoss, Inc.  
175 Anderson Street  
Aberdeen, North Carolina 28315 USA

Phone (800) 982-7141 Toll Free

(910) 944-2105 Local

E-Mail - techsupport@powerboss.com

This is the Spare Parts Catalog for the PowerBoss PowerBlast.

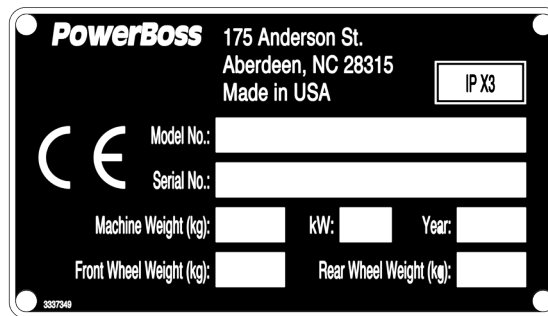
The machine will provide excellent service for many years. However, the best results will be obtained if:

- The machine is operated with reasonable care.
- The machine is maintained regularly per the maintenance schedule provided in the User Manual.
- The machine is maintained with PowerBoss Inc. supplied or equivalent parts.

All right side and left side references to the machine (except for engine) are determined by facing the direction of forward travel. The front of the engine or engine fan faces the rear of the machine. Some hardware considered to be common or locally available has been omitted from the parts section to make this manual clear. Be sure to use equivalent hardware when replacement becomes necessary.

The Model and Serial Number of your machine is shown on the I.D. name plate. This information is needed when contacting Technical Support or when ordering parts. The I.D. plate is mounted on the console of the machine left of the operator. Adjacent the main broom adjustment access door.

**Example I.D Plate;**



Parts may be ordered by phone, fax or e-mail from any PowerBoss parts and service center. Before ordering parts or supplies, be sure to have your machine model number and serial number handy. For your convenience Fill out the data block below for future reference.

<p><b>MACHINE DATA</b> Fill out at installation</p>	
Serial Number:	_____
Engine Serial Number:	_____
Sales Rep.:	_____
Date of Install:	_____

All information contained in this catalog is current at the time of printing However, PowerBoss reserves the right to make changes at any time without notice.

**TECHNICAL SPECIFICATIONS**

Model Powerblast

Model No. 3339910

**DIMENSIONS & WEIGHT**

Length . . . . . 255.62 inches (649 cm)

Width . . . . . 100.25 inch (255 cm)

Height . . . . . 77.75 inch (198 cm)

Weight empty (approx)\* . . . . . 6325 lbs. (2869 kg)

Weight with water (approx)\* . . . . . 10,000 lbs. (4536 kg)

\*Note: weight is approximate depending on configuration and equipment purchased.

**CLEANING SYSTEM**

Clean Water Tank . . . . . 300 gallons

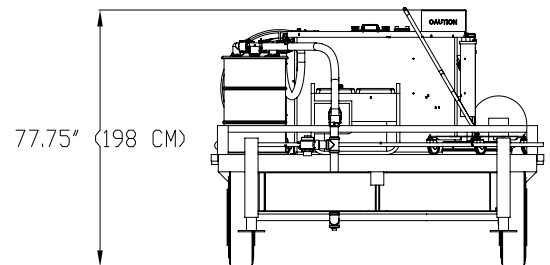
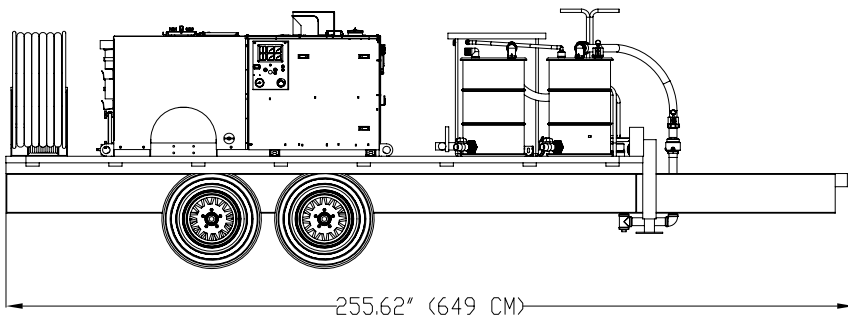
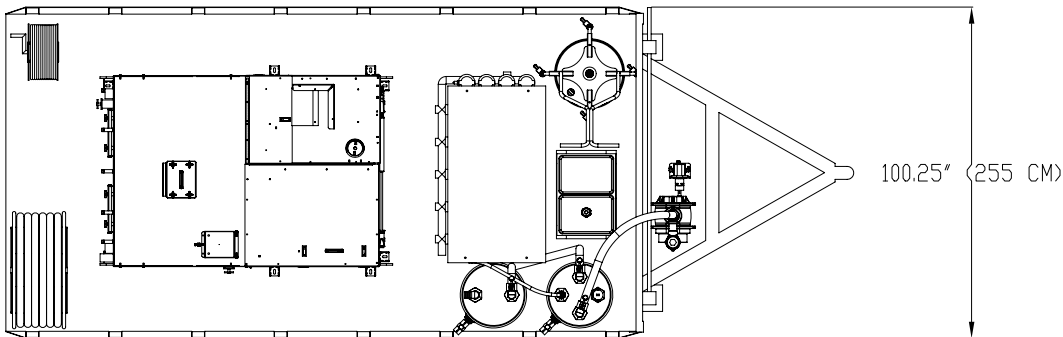
Sediment Tanks (2) . . . . . 30 gallon each

Recycling System . . . . . 500 gallons

Recycling Rate . . . . . 11 gpm

Vacuum System. . . . . 100" of water lift

Water Pump. . . . . 5000 psi



**TABLE OF CONTENTS**

**PREFACE** ..... 2

**TECHNICAL SPECIFICATIONS** ..... 4

    Dimensions & weight ..... 4

    Cleaning system ..... 4

**NOTES** ..... 7

**PARTS BREAKDOWN** ..... 8

    TRAILER, REELS AND RECYCLING SYSTEM ..... 8

    ROOTS BLOWER, PIPING, AND HYDRAULIC MOTOR ..... 10

    GENERATOR, FLAT SURFACE CLEANER, AND RECOVERY TANKS ..... 12

    RECOVERY TANKS ..... 14

    FRAME ..... 16

    FUEL TANK ..... 18

    COIL FITTINGS AND BURNER MOUNTNG ..... 20

    BURNER COMPONENTS ..... 22

    BURNER FITTINGS ..... 24

    ENGINE, PUMP, AND GEAR REDUCER MOUNTING ..... 26

    ENGINE COMPONENTS ..... 28

    ENGINE KUBOTA D1503 DIESEL - STOP SOLENOID, FAN, BELT & ALTERNATOR ..... 30

    ENGINE KUBOTA D1503 DIESEL - INLET MANIFOLD, OIL FILTER, AND WATER FLANGE ..... 32

    ENGINE KUBOTA D1503 DIESEL - HEAD COVER, STARTER, AND FLYWHEEL ..... 34

    ENGINE KUBOTA D1503 DIESEL - INJECTION PUMP, NOZZLE HOLDER, AND GLOW PLUG ... 36

    ENGINE KUBOTA D1503 DIESEL - DIPSTICK AND GUIDE ..... 38

    ENGINE KUBOTA D1503 DIESEL - OIL PAN ..... 39

    ENGINE KUBOTA D1503 DIESEL - CRANKCASE ..... 40

    ENGINE KUBOTA D1503 DIESEL - FUEL PUMP ..... 42

    ENGINE KUBOTA D1503 DIESEL - OIL PUMP ..... 43

    ENGINE KUBOTA D1503 DIESEL - GEAR CASE AND SPEED CONTROL PLATE ..... 44

    ENGINE KUBOTA D1503 DIESEL - CYLINDER HEAD ..... 46

    ENGINE KUBOTA D1503 DIESEL - PLUG CYLINDER HEAD ..... 48

    ENGINE KUBOTA D1503 DIESEL - RADIATOR ..... 49

    ENGINE KUBOTA D1503 DIESEL - EXHAUST SYSTEM COMPLETE ..... 50

    ENGINE KUBOTA D1503 DIESEL - AIR CLEANER ..... 52

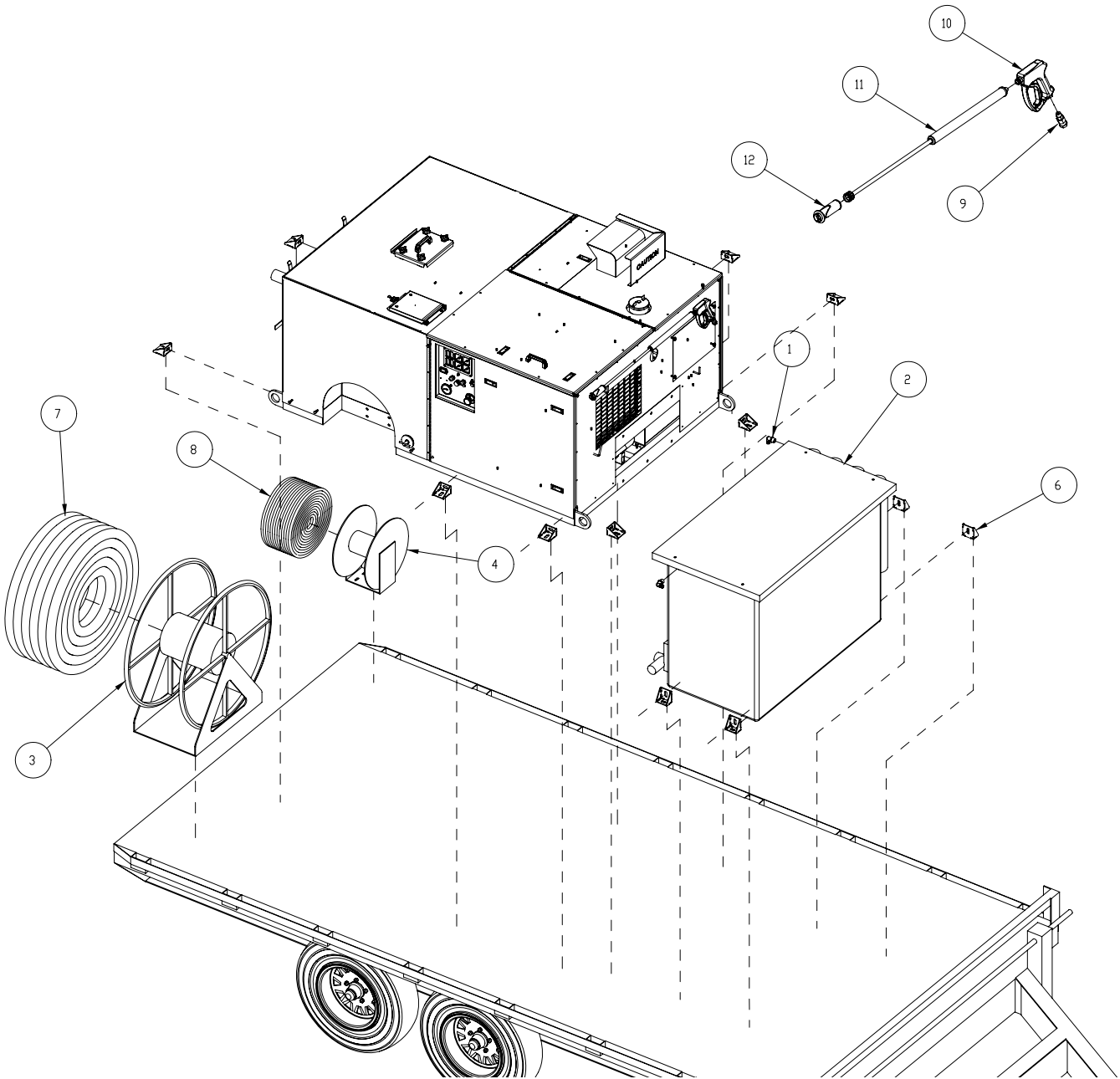
    GEAR REDUCER ..... 54

RECOVERY TANK AND DRAIN .....	56
RECOVERY TANK DUMP VALVE.....	58
RECOVERY TANK CLEAN OUT DOORS.....	59
TANK ACCESS PORT AND CLEAN WATER FILL PORT.....	60
RECOVERY TANK FLOAT .....	62
CONTROL PANEL PART 1 .....	64
CONTROL PANEL PART 2 .....	66
DOORS, COVERS, AND PANELS .....	68
ENGINE COVER.....	70
RIGHT SIDE DOOR .....	72
HYDRAULIC RESERVOIR, FILTER, AND RELIEF VALVE MOUNTING AND FITTINGS .....	74
HYDRAULIC RESERVOIR .....	76
HYDRAULIC HOSE ROUTING.....	78
REGULATOR, FILTER AND FITTINGS.....	80
WATER HOSE ROUTING.....	82
BATTERY .....	84
WIRING HARNESS, AND OIL PRESSURE SENSOR .....	86
<b>WARRANTY .....</b>	<b>87</b>



**PARTS BREAKDOWN**

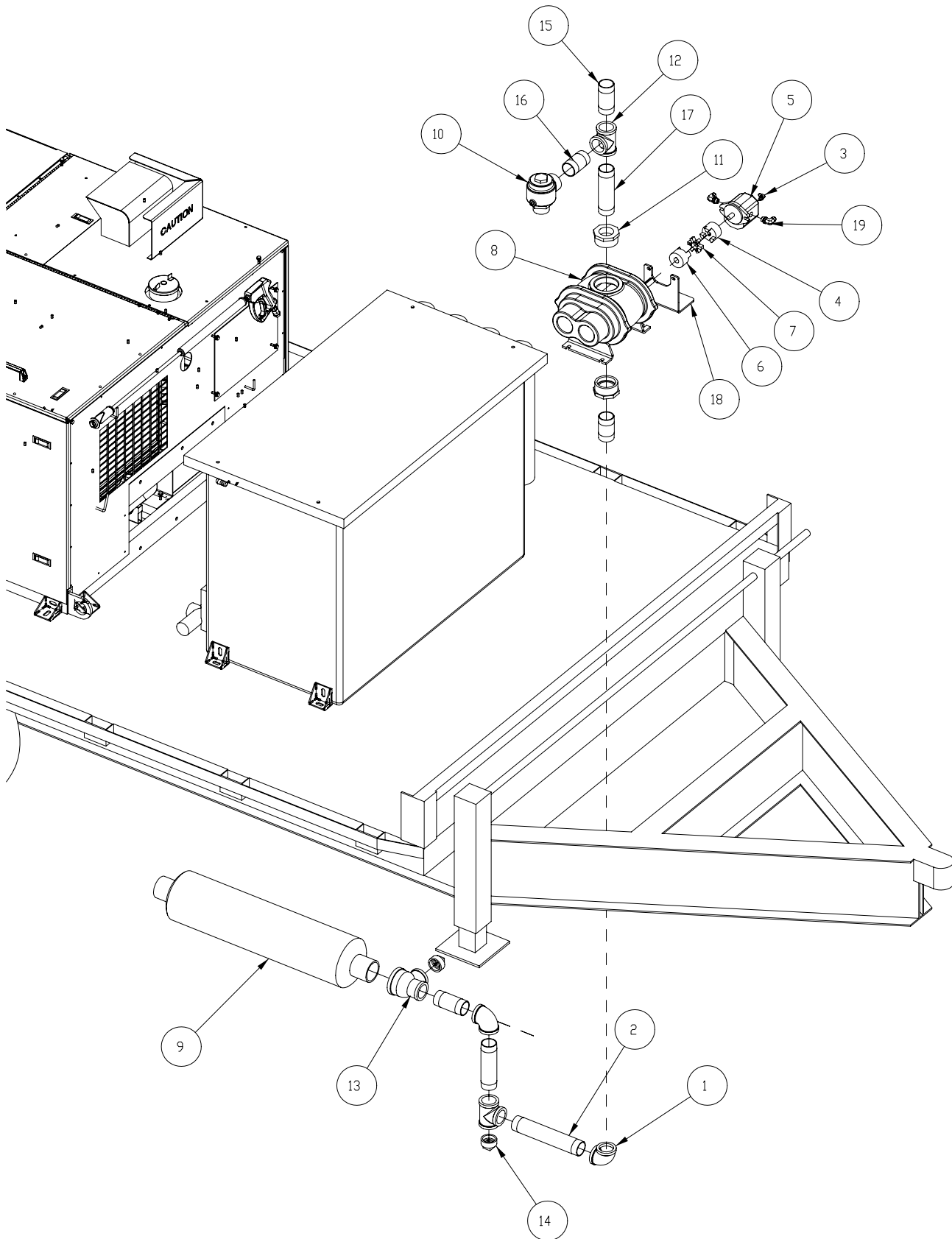
**TRAILER, REELS AND RECYCLING SYSTEM**





TRAILER, REELS AND RECYCLING SYSTEM			
ITEM	PART NO.	QTY	DESCRIPTION
1	3309051	2	FTG-3/4 90 DEG HOSE BARB
2	3337227	1	RECYCLING SYSTEM
	3337228	1	COALESCING BLOCK X-11
	3337229	1	POLISHING FILTERS X-11 PACK
	3337230	1	FOAM FILTER X-11
	3337231	1	OIL SKIMMER FILTER X-11
	3337232	1	SUMP PUMP X-11
3	3337236	1	LARGE SPOOL
4	3337237	1	250' HOSE REEL 4000 PSI
5	3337239	1	8 X 16 DECKOVER TRAILER
6	3337271	12	WELD - ANGLE MNT BRKT
7	3339893	1	100' X 2" VACUM HOSE WITH CUFFS
	3339894	1	50' X 2" VACUM HOSE WITH CUFFS
8	3339895	1	100' X 3/8 4000 PSI HOSE
	3339896	1	50' X 3/8 4000 PSI HOSE
9	3320772	1	COUPLING-SWIVEL STN STL
10	3320495	1	GUN & TRIGGER ASSY
11	3320544	1	LANCE
12	3339928	1	SPRAY NOZZLE 4000 PSI

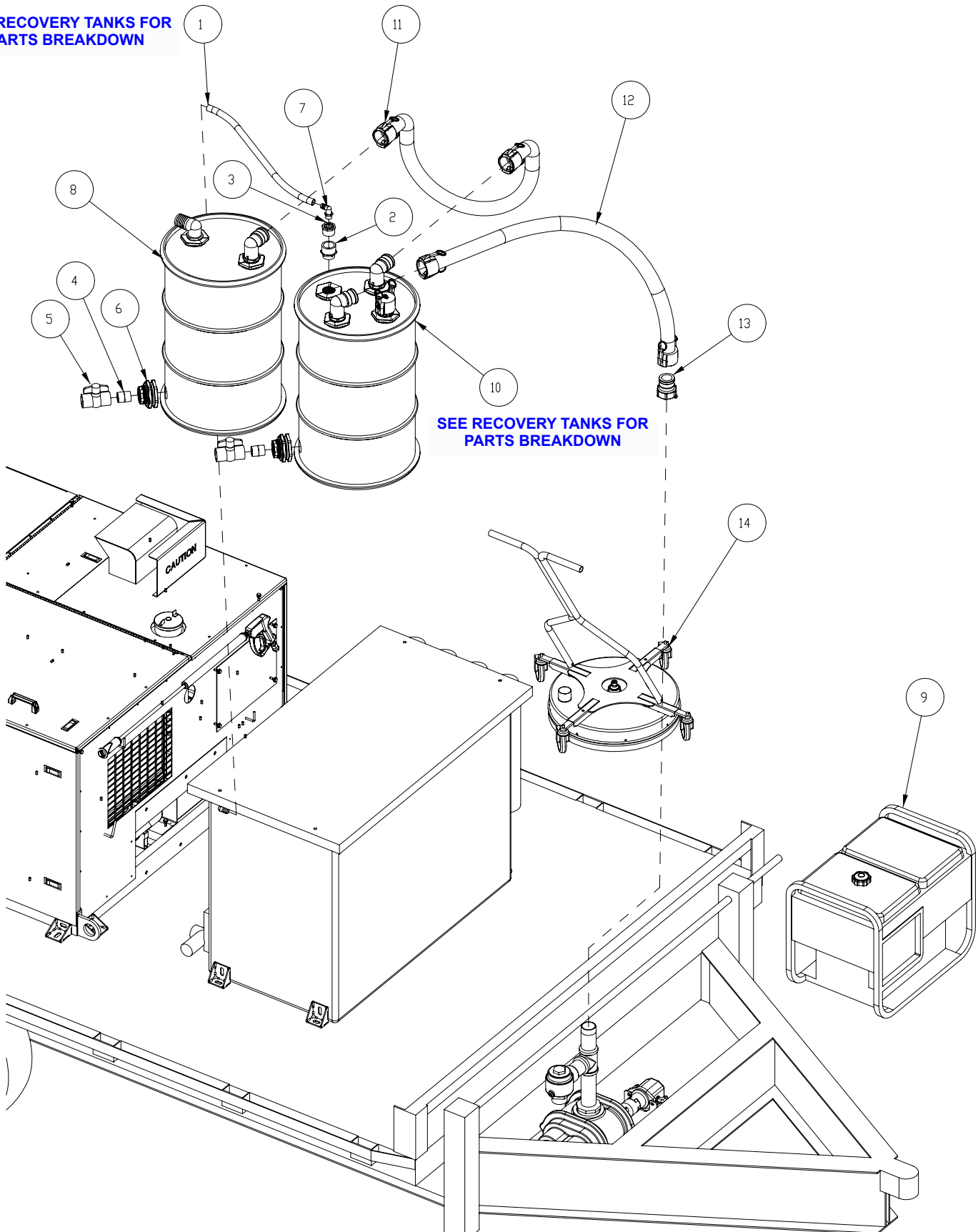
**ROOTS BLOWER, PIPING, AND HYDRAULIC MOTOR**



ROOTS BLOWER, PIPING, AND HYDRAULIC MOTOR			
ITEM	PART NO.	QTY	DESCRIPTION
1	500058	2	ELBOW 2" STEEL 90 DEG
2	500059	1	PIPE NIPPLE 2" X 12" STEEL
3	3302407	1	FTG-90 EL 4MORB X 4MJIC
4	3321004	1	COUPLING-5/8" SHAFT DIA. 5/32X5/64 KEYW
5	3321005	1	MOTOR - HYD. GEAR, BI-DIRECTIONAL
6	3321006	1	COUPLING - 7/8" SHAFT DIA. 1/4" KEYWAY
7	3321007	1	INSERT - FLEX, 5/8" COUPLING
8	3336907	1	BLOWER-ROOTS 47 URAI
9	3336908	1	SILENCER - 3" SILENCER
10	3336909	1	VALVE-VACUUM RELIEF
11	3336985	2	BUSHING - HEX 3" X 2" REDUCING, STEEL
12	3336986	2	TEE - 2" DIA. STEEL
13	3336989	1	TEE - 3" X 2" X 2" STEEL
14	3336990	2	PLUG - 2" SQUARE HEAD
15	3336991	2	PIPE NIPPLE - 2" X 5"
16	3336992	2	PIPE NIPPLE - 2" X 4"
17	3336993	2	PIPE NIPPLE - 2" X 8"
18	3338797	1	MOUNT - HYD. MOTOR.
19	3400154	2	FTG-90 EL 3/4-16 MORB X -8JIC

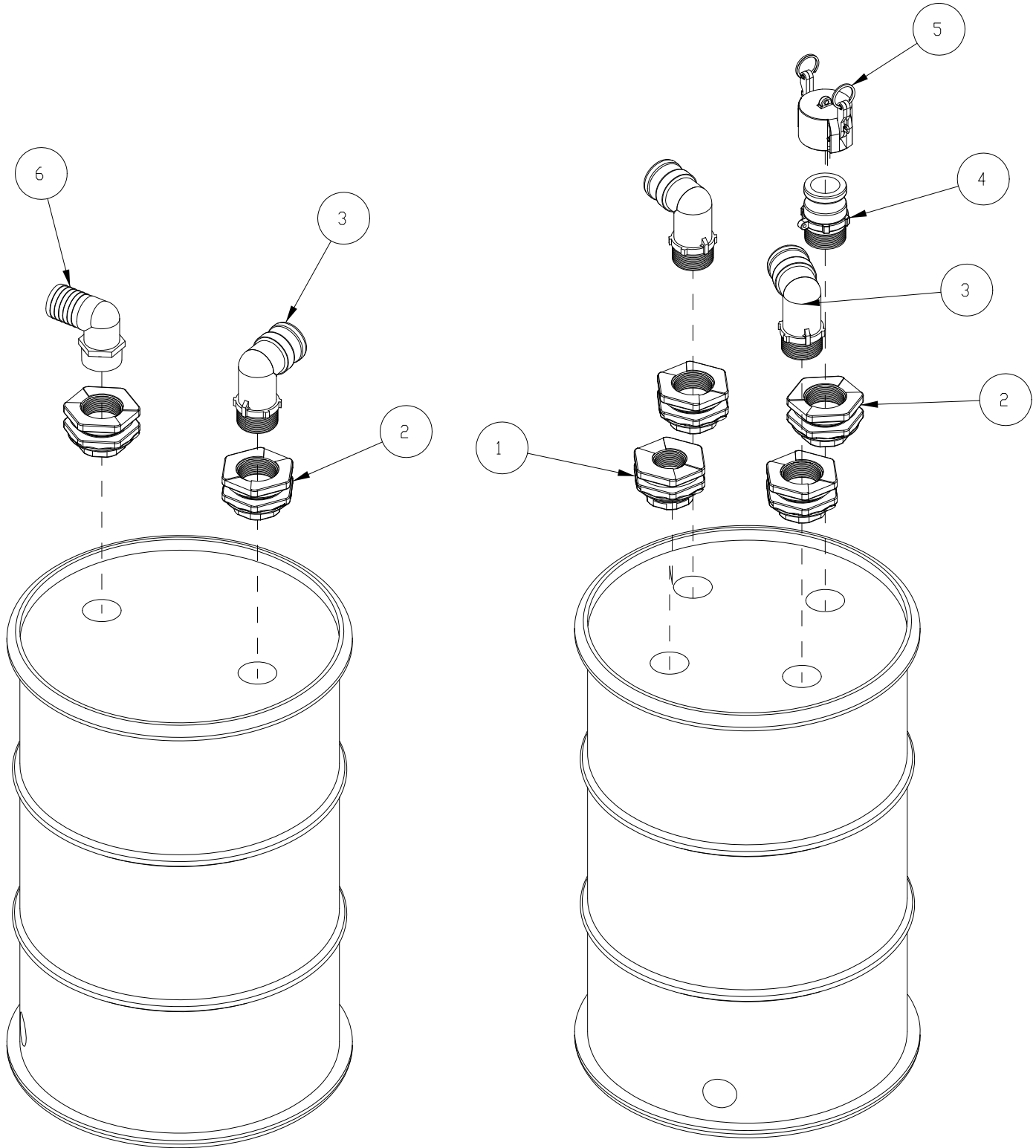
### GENERATOR, FLAT SURFACE CLEANER, AND RECOVERY TANKS

SEE RECOVERY TANKS FOR PARTS BREAKDOWN



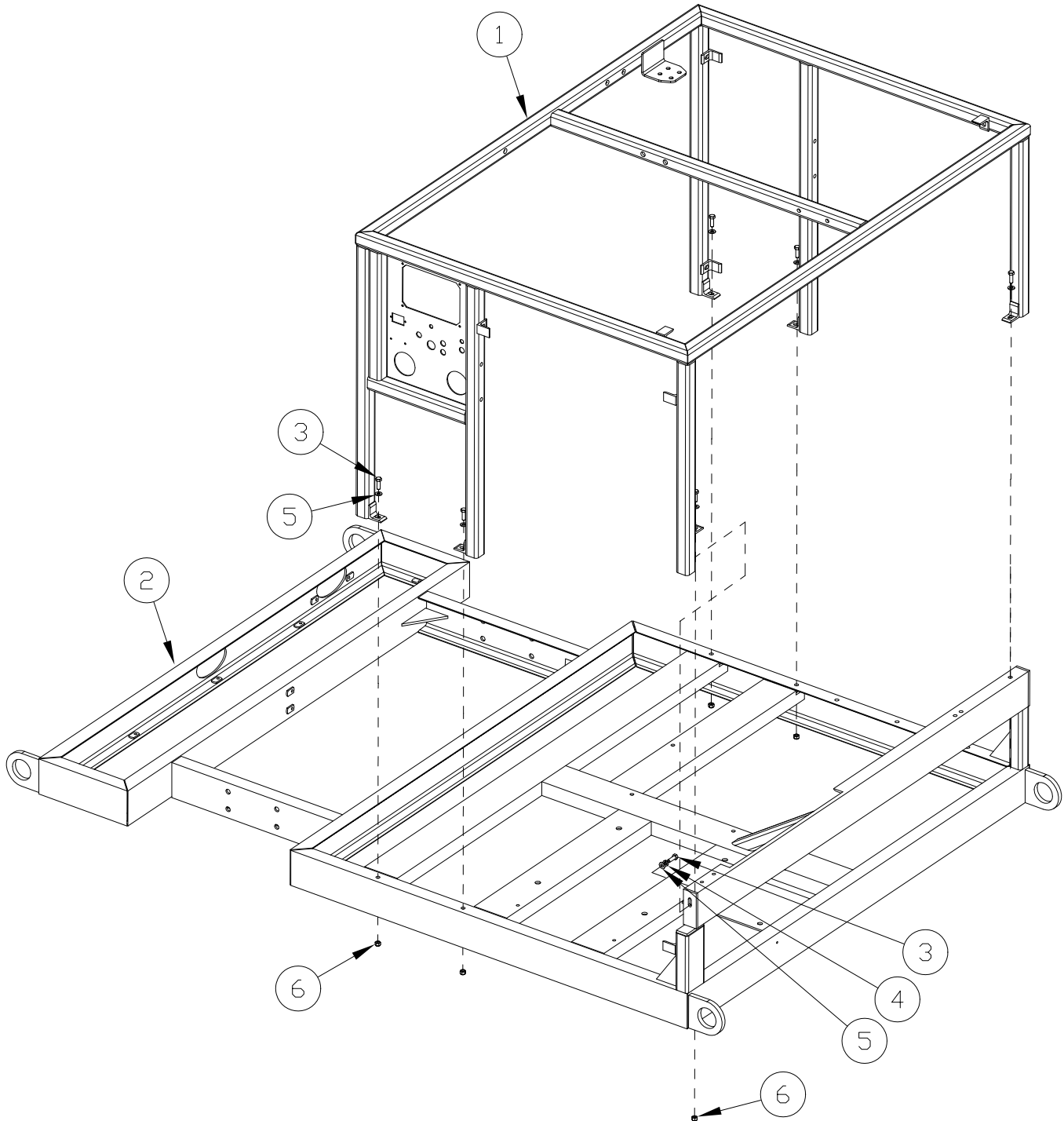
GENERATOR, FLAT SURFACE CLEANER, AND RECOVERY TANKS			
ITEM	PART NO.	QTY	DESCRIPTION
1	383408	1	HOSE-3/4 WIRE WOUND NYL
2	500060	1	ADAPTER 1 1/2" X 1 1/2" NTP PVC
3	500061	1	BUSHING 1 1/2" X 3/4 NPT
4	500062	2	PIPE NIPPLE 1 1/4" X 2" PVC
5	500063	2	BALL VALVE 1 1/4" PVC
6	500065	2	FLANGE ASSY 1 1/4" POLY TANK
7	3309051	3	FTG-3/4 90 DEG HOSE BARB
8	3337233	1	30 GAL SCIROCCO RECOVERY TANK
9	3337234	1	GENERATOR - 3.5KW DSL
10	3337235	1	30 GAL DROP TANK W/AUTO PUMPOUT
11	3339697	1	HOSE-JUMP 2.0IN ID 5FT LG FEMALE (INCLUDES ITEM 12)
12	3339697	1	HOSE-JUMP 2.0IN ID 5FT LG FEMALE
13	3339930	1	COUPLING - STR F CAM LOCK BANJO
14	3339960	1	20" FLAT SURFACE CLEANER, NO SUCTION
	3339998	1	SURFACE CLEANER-21" DIA. WITH VAC PORT
	3339997	1	SURFACE CLEANER-30" DIA. WITH VAC PORT
15	3337248	1	20' FT VACU-BOOM COMPLETE (NOT SHOWN)
	3337249	1	30' FT VACU-BOOM COMPLETE (NOT SHOWN)
	3337250	1	40' FT VACU-BOOM COMPLETE (NOT SHOWN)

**RECOVERY TANKS**



RECOVERY TANKS			
ITEM	PART NO.	QTY	DESCRIPTION
1	500066	1	FLANGE ASSY 1 1/2" POLY TANK
2	500067	2	FLANGE ASSY 2" POLY TANK
3	500068	2	MALE ADAPTER 2" MPT 90 DEGREE
4	500069	1	MALE ADAPTER 2" MALE THREAD
5	500070	1	CAP 2" W/LOCKING CAM ARMS
6	500071	1	FTG-3/4 90 DEG HOSE BARB

**FRAME**





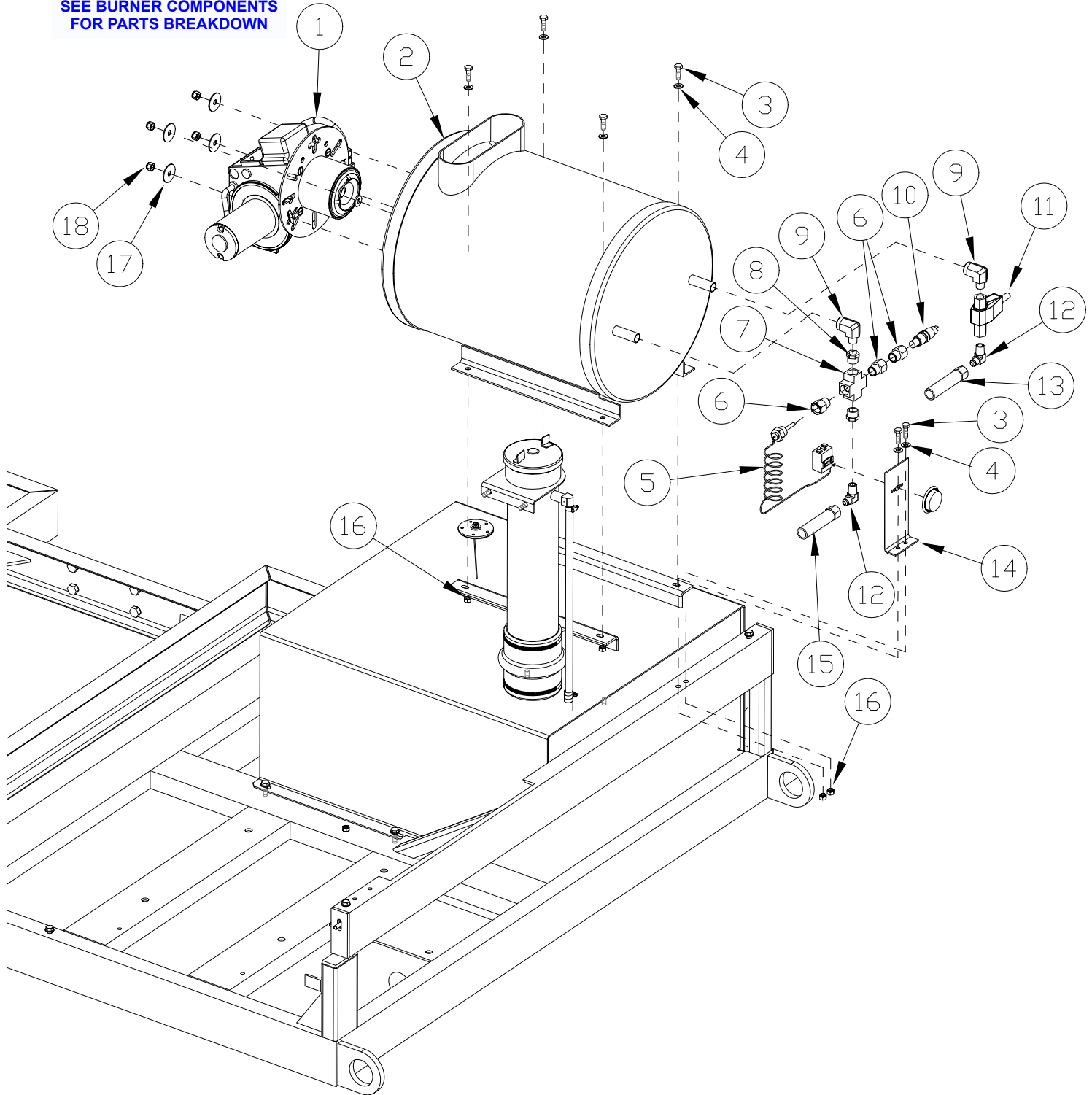
FRAME			
ITEM	PART NO.	QTY	DESCRIPTION
1	3320981	1	WELD - FRAME UPPER
2	3320526	1	WELD - LOWER FRAME
3	3400318	11	SCREW-HEX, 5/16-18 X 1.00 SS
4	3400319	5	WASHER-LOCK 5/16 SS
5	3401015	11	WASHER - FLAT 5/16 STANDARD SS
6	712683	6	NUT-5/16-18 SS NYLOCK



FUEL TANK			
ITEM	PART NO.	QTY	DESCRIPTION
1	3320937	1	CAP, FUEL FILL
2	3322120	1	WELDMENT, FUEL FILL
3	3400318	8	SCR, HEX 5/16-18 X 1.00 SS
4	3400331	8	WASHER, FLAT 5/16 SS
5	3400088	8	WASHER-FLAT 5/16 IDx.688 ODx.065 THK
6	3400260	1	FTG, 90 EL 1/4 MPT TO 1/4 FPT
7	3302338	11	CLAMP, HOSE .22 TO .62
8	3500104*	ORDER BY LENGTH*	HOSE, NEOPRENE 5/16 ID
9	3300351	2	CLAMP, HOSE 4 1/2" DIA
10	3320989	1	ADAPTOR, FUEL INTERMEDIATE
11	3320591	1	TANK, FUEL, WELD
12	3400164	1	FTG - PLUG 3/4-16 O RING
13	3400332	6	NUT, HEX 5/16-18 ES SS
14	3400261	7	FTG, HOSE BARB 1/4 MPT TO 3/8
15	3308383	2	COUPLING, 1/4 NPT BRASS
16	3309446	1	VALVE, CK MURPHY PANEL DSL
17	3303324	1	FILTER, FUEL KUBOTA DIESEL
18	3305882	1	MOUNT, FUEL FILTER KUBOTA PNTD
19	3315646	1	SENDER, FUEL VERT TANK W/FLOAT
20	3401453	5	SCR-PAN, #10-32 X 1/2 L, PHL ZP
*NOTE: When ordering this part use the length in feet as the quantity, i.e. 2 ft. = qty 2.			

**COIL FITTINGS AND BURNER MOUNTING**

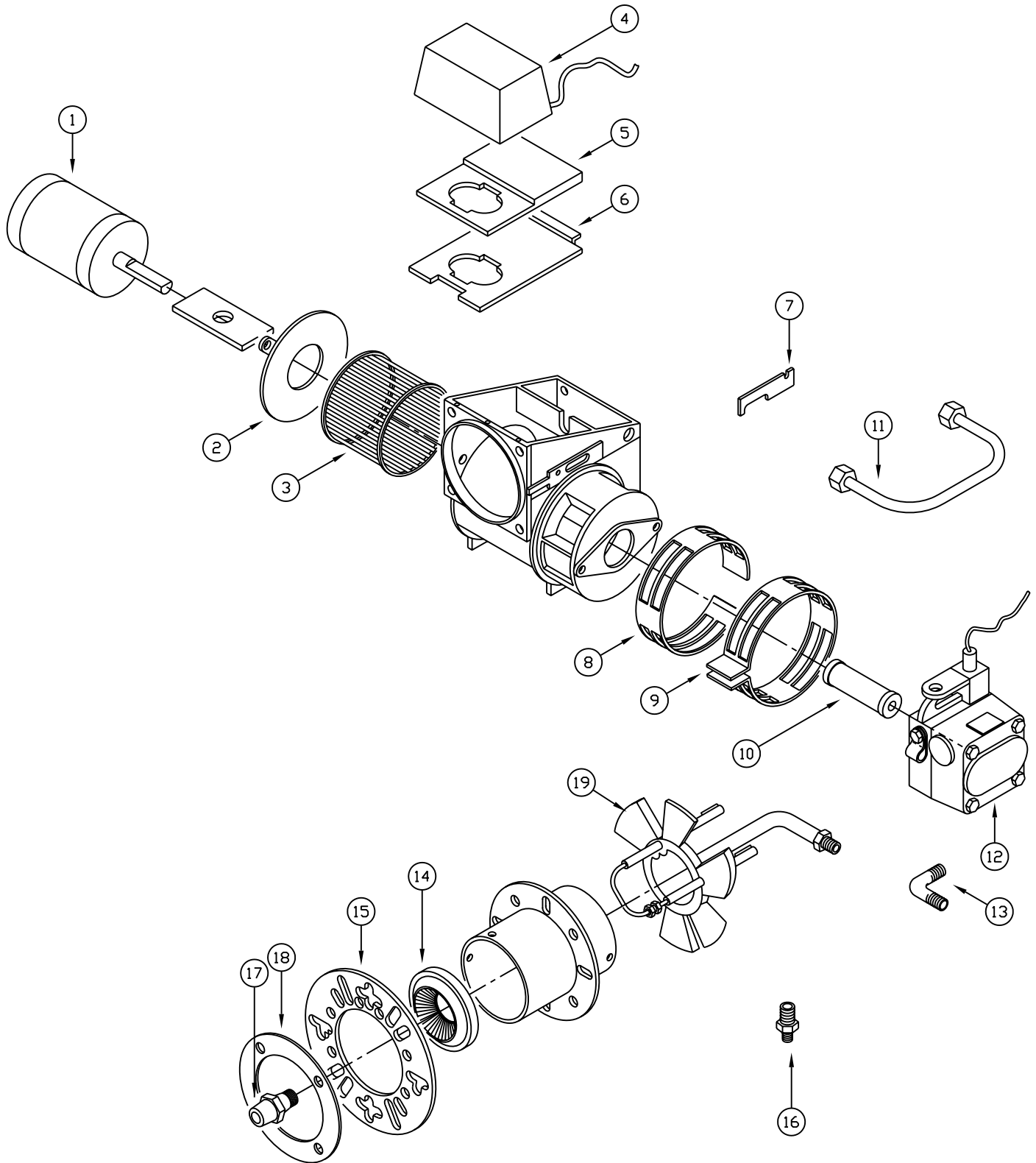
SEE BURNER COMPONENTS  
FOR PARTS BREAKDOWN



COIL FITTINGS AND BURNER MOUNTNG			
ITEM	PART NO.	QTY	DESCRIPTION
1	3320480	1	BURNER-WAYNE 12 VOLT
2	3320481	1	COIL & TANK
3	3400318	8	BLT-HH 5/16-18 X 1.0 SS
4	3400331	8	WASHER, FLAT 5/16 SS
5	3320474	1	THERMOSTAT
6	3320549	3	FTG-STR 1/2 MPT 1/2 FPT
7	3313188	1	FTG-CROSS 1/2 FPT BRASS
8	3305283	2	FTG, REDUCER 1/2 MPT X 3/8 FPT
9	3339916	2	FTG-90 3/8 MPT TO 6 JIC
10	3320479	1	SWITCH-TEMP CONTROL
11	3320473	1	SWITCH-FLOW (REED)
12	3402024	2	FTG-90 3/8 MPT TO 6 JIC
13	3331730*	ORDER BY LENGTH*	HOSE-HYD 3/8 X 52 LONG
14	3332184	1	PLATE-THERMOSTAT
15	3331734*	ORDER BY LENGTH*	HOSE-HYD 3/8 X 35 LONG
16	3400332	8	NUT-HEX 5/16-18 ES SS
17	3400278	4	WASHER, FENDER 3/8 x 1.25 x .075
18	3400079	4	NUT, HEX 3/8-16 ES ZP

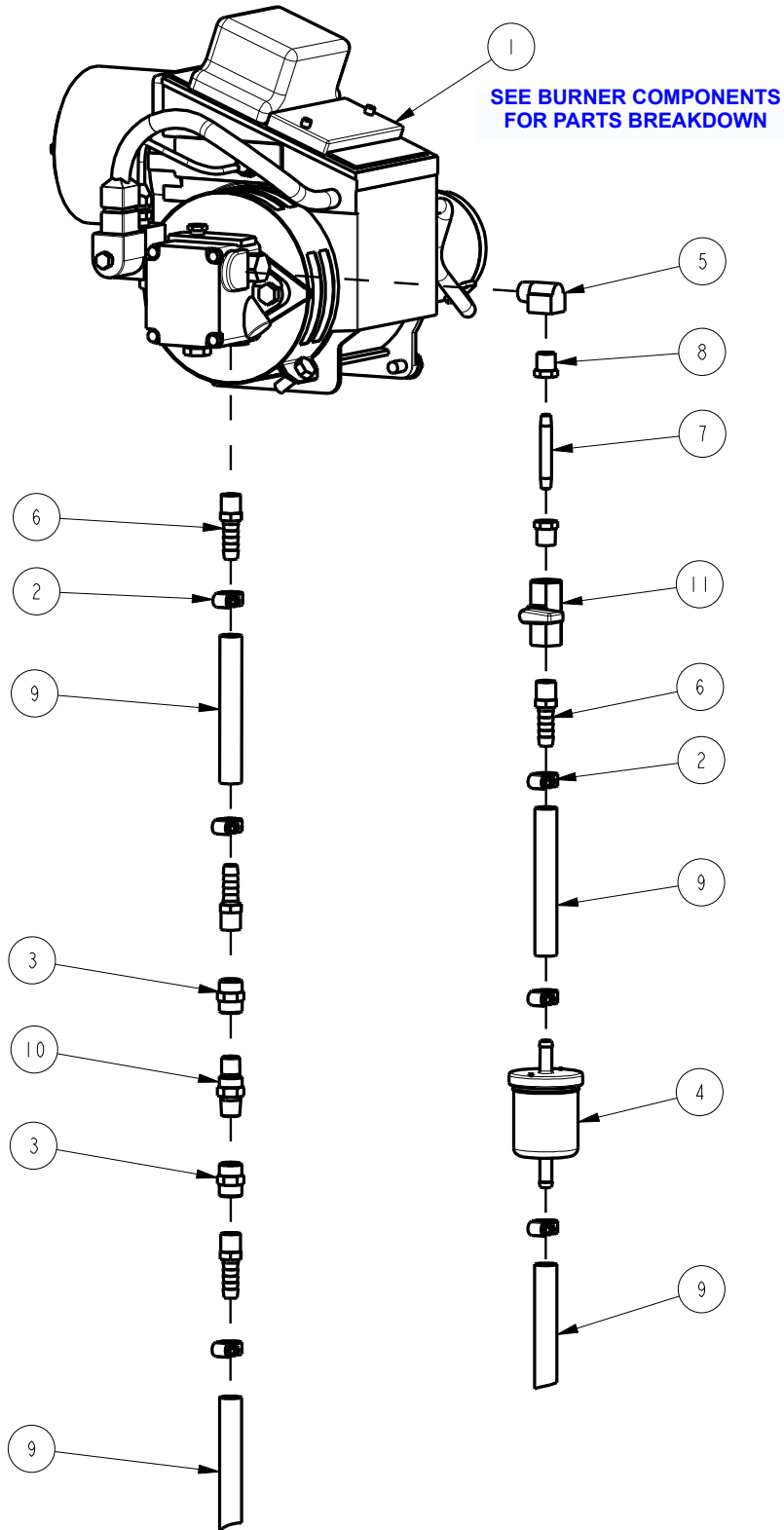
\*NOTE: When ordering this part use the length in feet as the quantity, i.e. 2 ft. = qty 2.

**BURNER COMPONENTS**



BURNER COMPONENTS			
ITEM	PART NO.	QTY	DESCRIPTION
1	3331534	1	BURNER, MOTOR 1/8 LOW AMP
2	3331535	1	BURNER, MOTOR ADAPTOR
3	3331536	1	BURNER, BLOWER WHL 3 1/2 X 4 1/4
4	3331537	1	BURNER, IGNITOR 12VDC
5	3331538	1	BURNER, MOUNTING BASE
6	3331539	1	BURNER, HOUSING COVER
7	3331540	1	BURNER, SLOT COVER PLATE
8	3331541	1	BURNER, INNER AIR BAND
9	3331542	1	BURNER, OUTER AIR BAND
10	3331543	1	BURNER, COUPLING
11	3331544	1	BURNER, OIL LINE ASSEMBLY
12	3331545	1	BURNER, FUEL UNIT SUNTEC
13	3331546	1	BURNER, ELBOW
14	3331547	1	BURNER, AIR CONE #4
15	3331548	1	PLATE, UNIVERSAL BURNER MNT
16	3331549	1	BURNER, CONNECT
17	3320725	1	INJECTOR NOZZLE, BRNR 1. 80 DEG A
18	3320724	1	BURNER, GASKET
19	3338805	1	GUN ASSEMBLY

**BURNER FITTINGS**

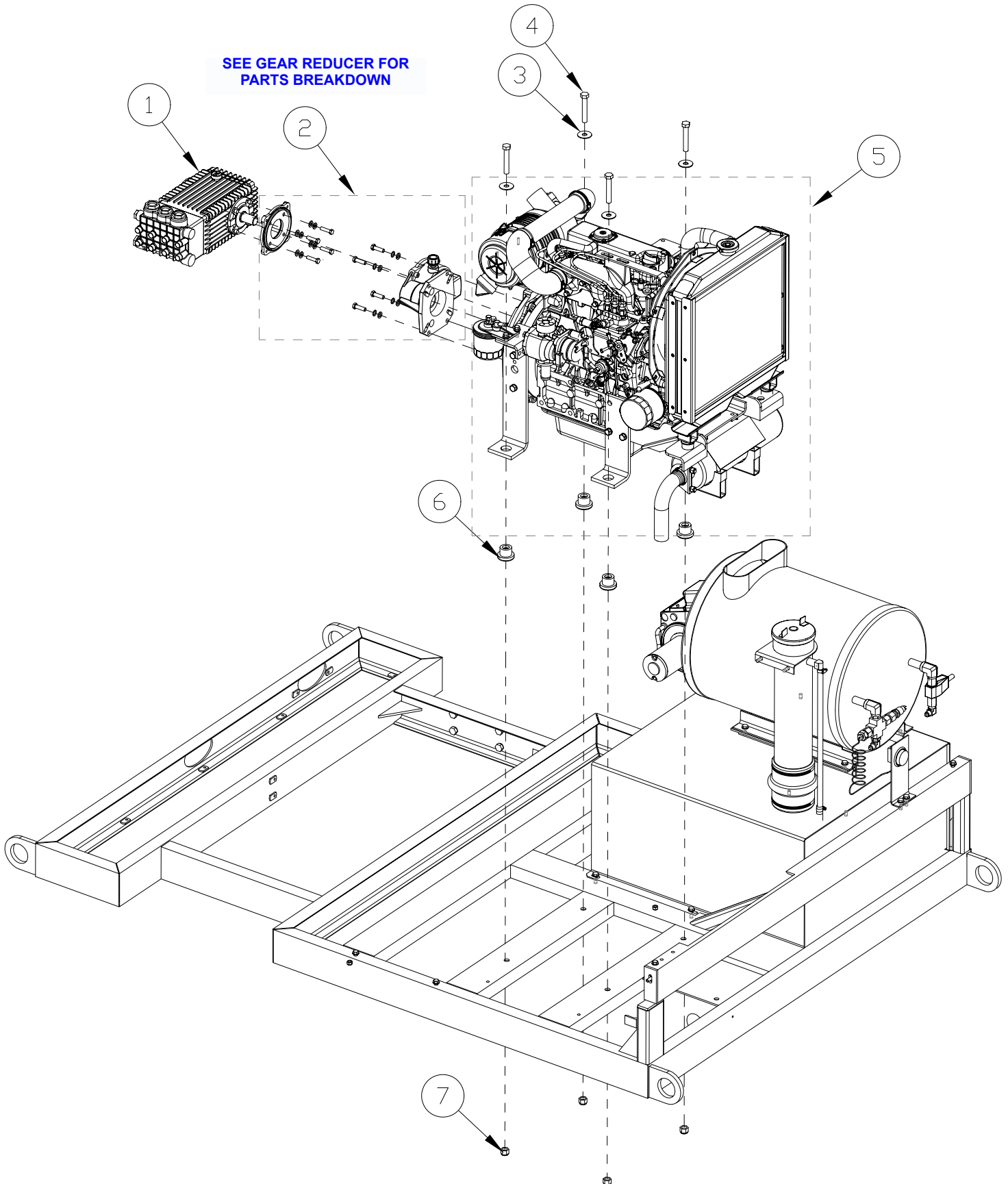




BURNER FITTINGS			
ITEM	PART NO.	QTY	DESCRIPTION
1	3320480	1	BURNER-WAYNE 12 VOLT
2	3302338	6	CLAMP-HOSE 1/2
3	3308383	2	COUPLING 1/4 NPT BRASS
4	3306606	1	FILTER-FUEL KUBOTA GAS (SP)
5	3400260	1	FTG-90 ELL 1/4 MPT X 1/4 FPT
6	3400261	4	FTG-HOSE BARB 1/4 NPT TO 3/8
7	3303105	1	FTG-NIPPLE 1/8"MPT X 2.00 LG
8	3304622	2	FTG-REDUCER 1/4 MPT X 1/3 FPT
9	3500104	ORDER BY LENGTH*	HOSE - NEOPRENE 5/16 ID
10	3309446	1	VALVE-CK MURPHY PANEL DSL (SP)
11	3400499	1	VALVE-MINATURE 1/4 FPT BALL

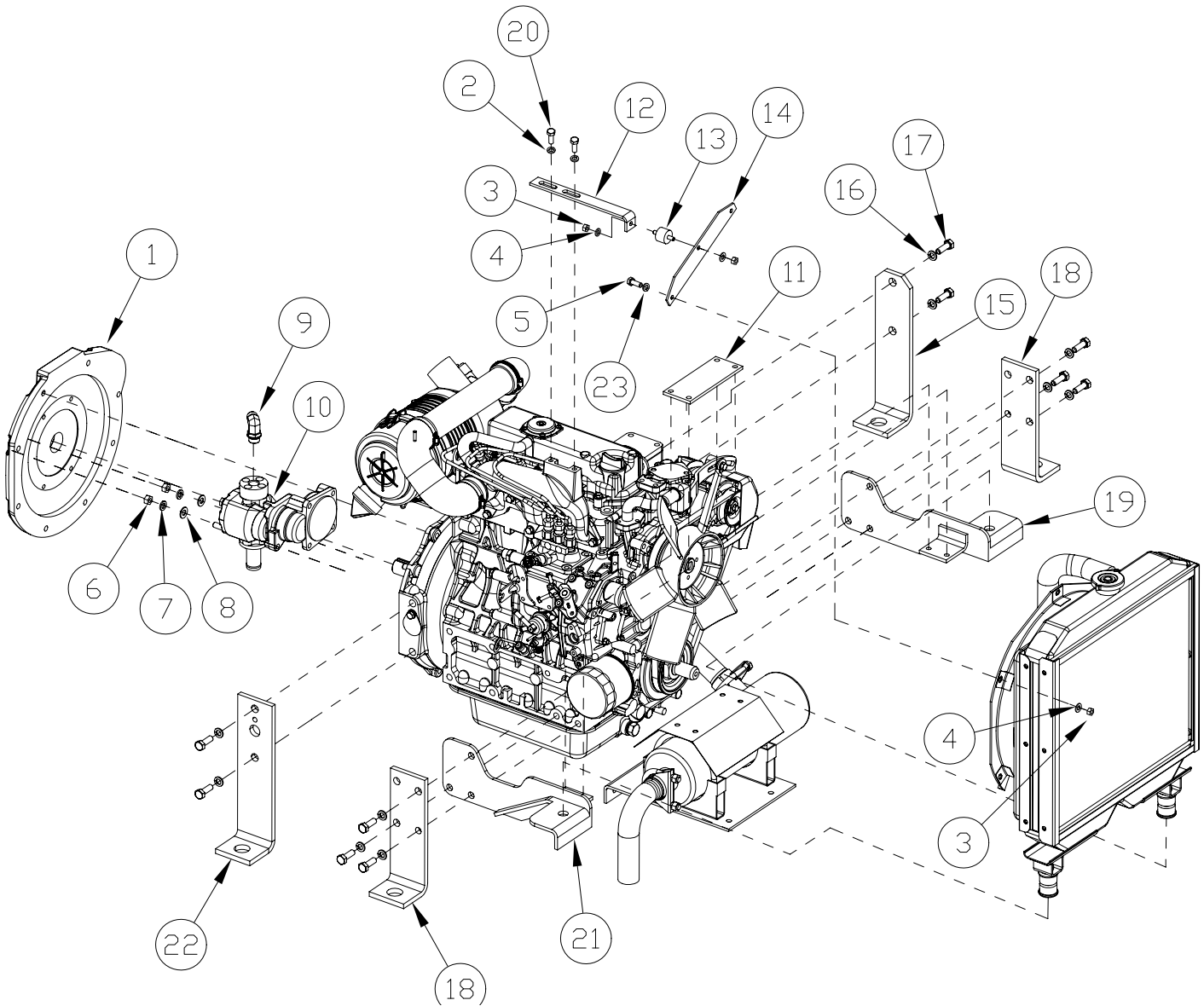
\*NOTE: When ordering this part use the length in feet as the quantity, i.e. 2 ft. = qty 2.

**ENGINE, PUMP, AND GEAR REDUCER MOUNTING**



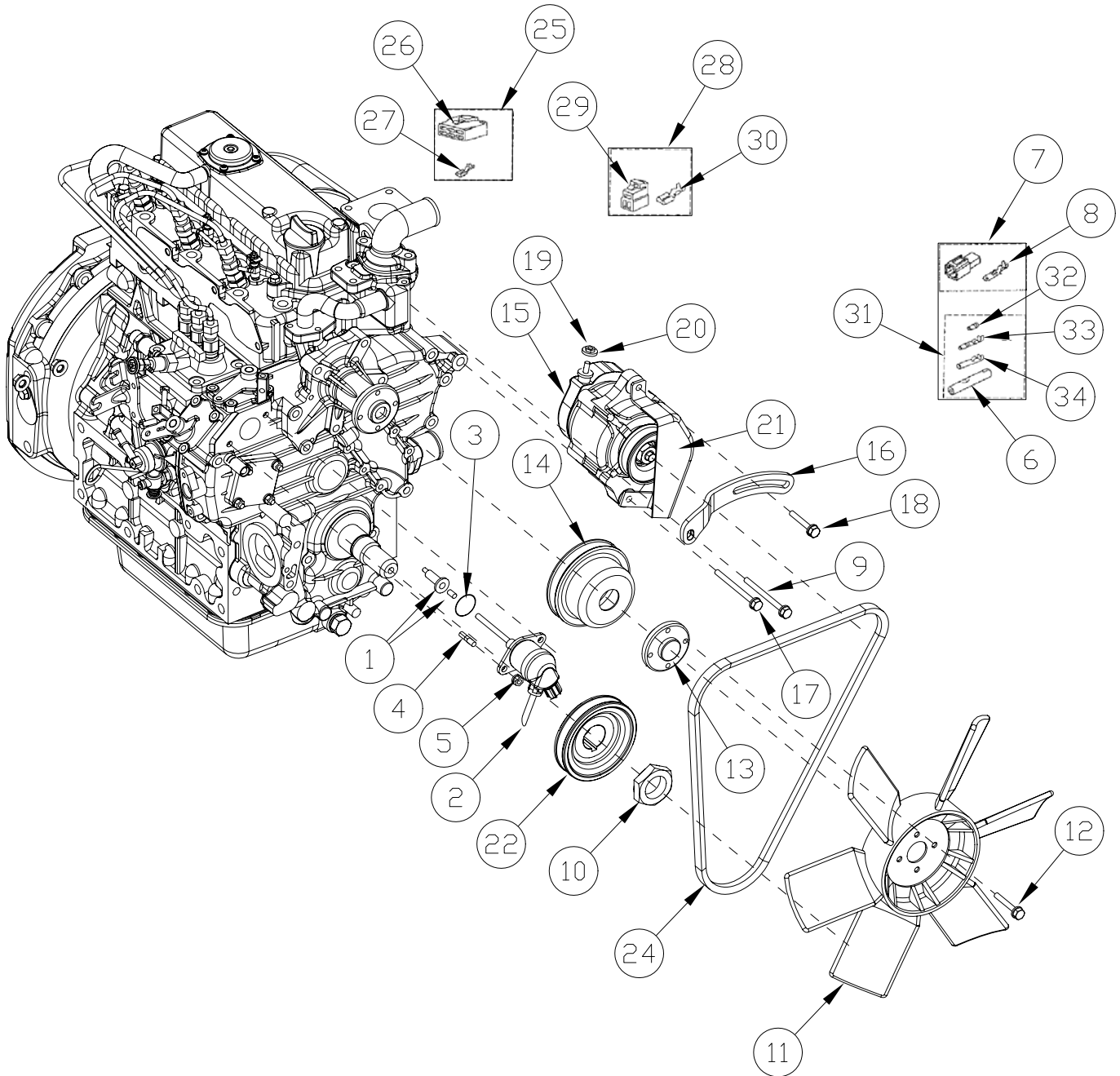
ENGINE, PUMP, AND GEAR REDUCER MOUNTING			
ITEM	PART NO.	QTY	DESCRIPTION
1	3336958	1	PUMP - POSITIVE DISPLACEMENT, 4000 PSI
2	3332622	1	GEAR-REDUCER / PUMP
3	3400091	4	WASHER-FENDER 1/2 ZP
4	3400405	4	SCREW-HEX, 1/2-13X3.00 ZP
5	3320494	1	ENGINE-DSL KUBOTA
6	3300464	4	ISOLATOR - RUBBER, 1.24 DIAMx1.25 LG
7	711376	4	NUT-NYLOC 1/2-13

**ENGINE COMPONENTS**



ENGINE COMPONENTS			
ITEM	PART NO.	QTY	DESCRIPTION
1	3339931	1	COUPLING - HAYES
2	3400102	2	WASHER, LOCK 5/16 SPLIT ZP
3	712667	4	NUT-NYLOC 1/4-20 SS
4	3400321	2	WASHER-LOCK-1/4 SPLIT SS
5	3400199	4	SCR-HEX, 1/4-20X0.75 SS
6	3400068	4	NUT-HEX 3/8-16 ZP
7	3400101	2	WASHER-LOCK 3/8 SPLIT ZP
8	3400087	2	WASHER-FLAT 3/8 STANDARD ZP
9	3402024	1	FTG-90 3/8 MPT TO #6 JIC
10	3332601	1	PUMP-AUXILLARY
11	3338813	1	RADIATOR BRACE
12	3338814	1	BRACE RADIATOR SUPPORT
13	3344112	1	ISO-CYL, 1 DIA X 3/4 X 1/4-20,50LBS
14	3338815	1	RADIATOR BRACE BAR
15	3315531	1	MNT-KUBOTA INNER
16	3400098	10	WASHER-LOCK 1/2 SPLIT ZP
17	3400296	10	SCR-HEX, 12MMX1.25PX30MM ZP
18	3320466	2	MNT-ENGINE FRONT DIESEL KBA
19	3337322	1	RADIATOR MOUNT
20	3400318	2	SCREW-HEX, 5/16-18X1.00 SS
21	3337323	1	RADIATOR MOUNT
22	3315530	1	MNT-KBTA OUTER
23	3400491	4	WASHER-FLAT 1/4 SS

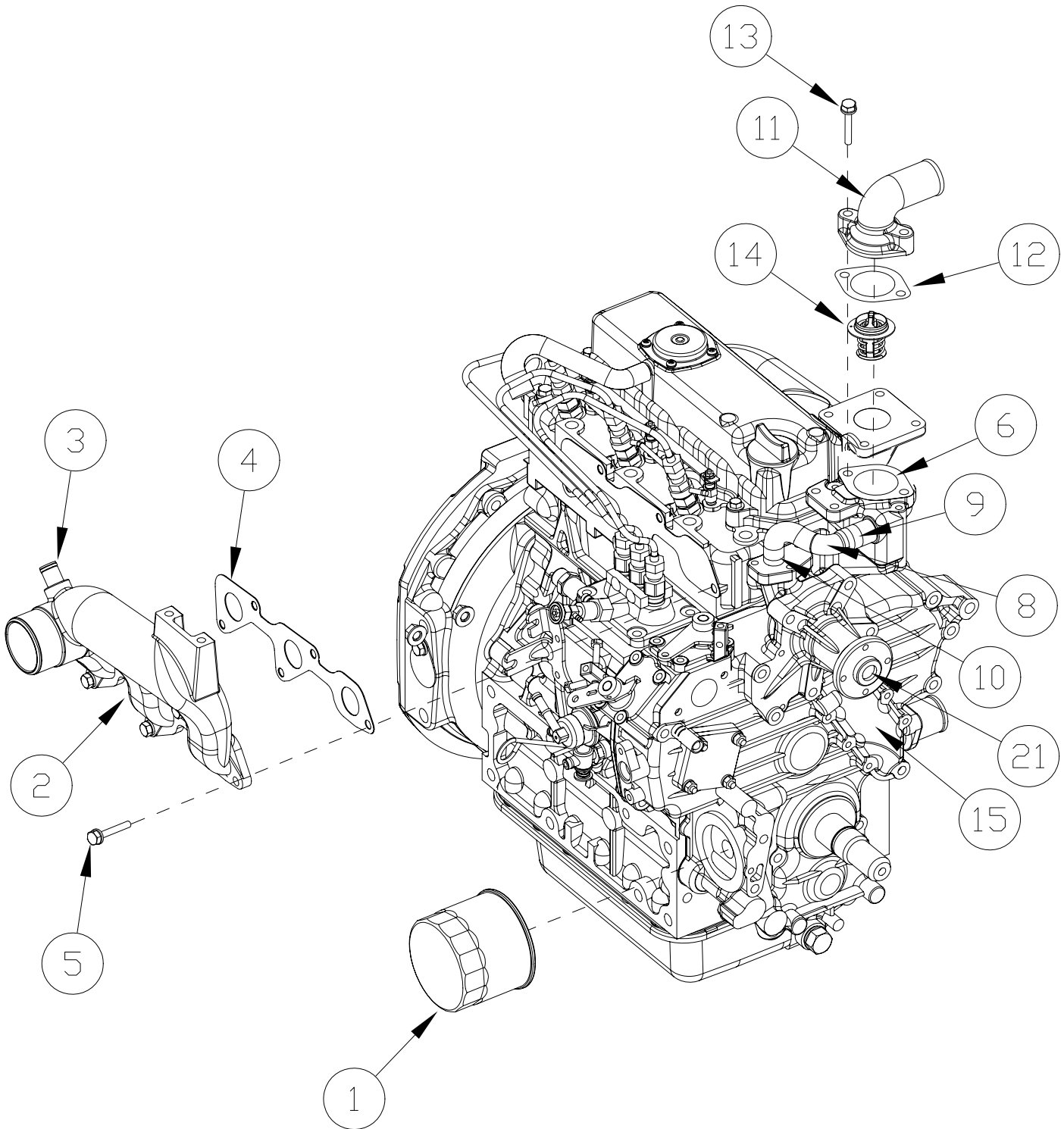
**ENGINE KUBOTA D1503 DIESEL - STOP SOLENOID, FAN, BELT & ALTERNATOR**



**ENGINE KUBOTA D1503 DIESEL - STOP SOLENOID, OIL FILTER, MANIFOLD, AND ALTERNATOR**

ITEM	PART NO.	QTY	DESCRIPTION
1	3338816	1	COMP GUIDE SOLENOID
2	3338817	1	ASSY SOLENOID
3	3338818	2	O RING
4	3338819	2	STUD
5	3338820	2	NUT FLANGE
	3338821	2	NUT FLANGE
6	3338967	1	SLEEVE
7	3338968	1	ASSY COUPLER
8	3338969	1	TERMINAL
9	3338988	1	BOLT
10	3331699	1	NUT, CRANKSHAFT
11	3332085	1	FAN
12	3339105	4	BOLT. FLANGE
13	3339106	1	COLLAR, FAN
14	3339107	1	PULLEY, FAN
15	3338947	1	ASSY ALTERNATOR
16	3338948	1	STAY, DYNAMO
17	3338949	1	BOLT, FLANGE
18	3338950	1	BOLT
19	3338951	1	NUT
20	3338952	1	WASHER, SPRING
21	3338953	1	COVER, ALTERNATOR
22	3338954	1	PULLEY, FAN DR IVE
23	3338955	1	KEY, FEATHER
24	3338956	1	BELT, COG
25	3338957	1	ASSY COUPLER, CONNEC.
26	3338958	1	CONNECTOR
27	3338959	5	TERMINAL
28	3338960	1	ASSY CONNECTOR, 2
29	3338961	1	CONNECTOR
30	3338962	3	TERMINAL
31	3338963	1	ASSY TERMINAL
32	3338964	1	TERMINAL
33	3338965	1	SLEEVE
34	3338966	1	TERMINAL

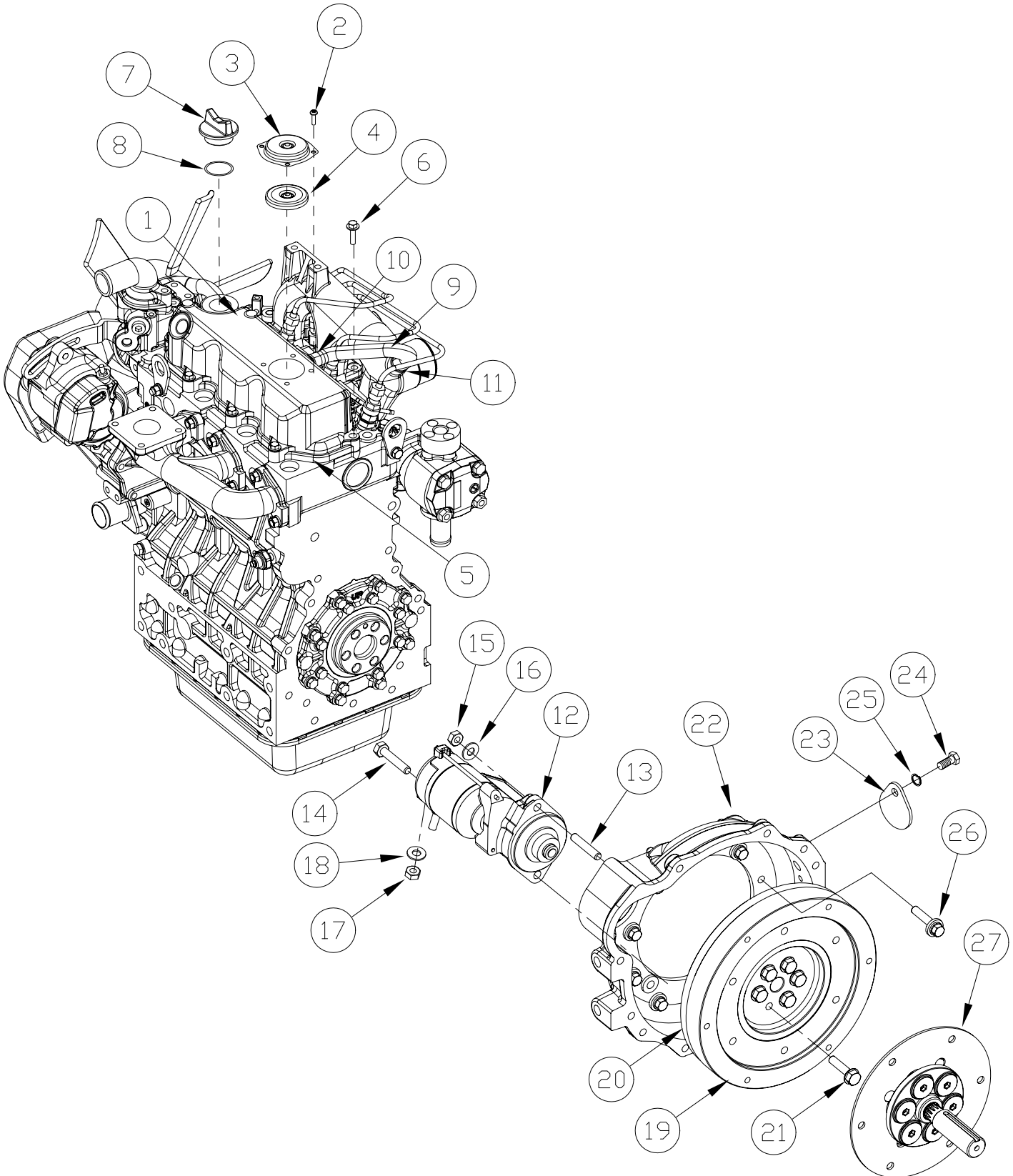
**ENGINE KUBOTA D1503 DIESEL - INLET MANIFOLD, OIL FILTER, AND WATER FLANGE**





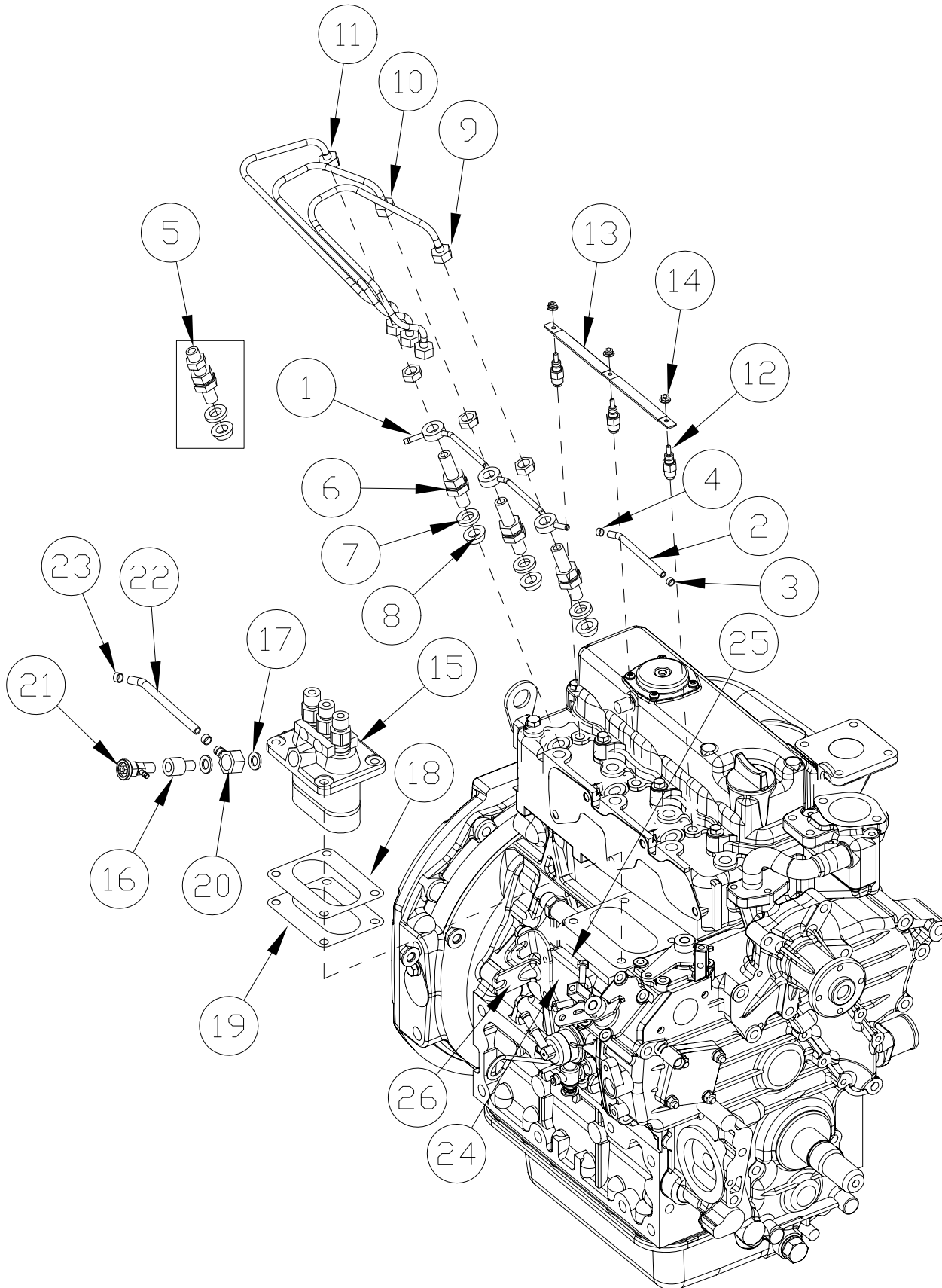
ENGINE KUBOTA D1503 DIESEL - STOP SOLENOID, OIL FILTER, MANIFOLD, AND ALTERNATOR			
ITEM	PART NO.	QTY	DESCRIPTION
1	3338898	1	CARTRIDGE, OIL FILTER
2	3339108	1	MANIFOLD, INLET
3	3339109	1	JOINT BREATHER
4	3339110	1	GASKET, IN-MANIFOLD
5	3401582	5	BOLT
6	3338980	1	COMP FLANGE, WATER
7	3338986	1	GASKET WATER FLANGE (NOT SHOWN)
8	3338990	1	PIPE WATER RETURN
9	3338991	1	CLAMP, HOSE
10	3338992	1	CLAMP, HOSE
11	3338993	1	COVER, THERMOSTAT
12	3338994	1	GASKET THERMOSTAT
13	3338995	2	BOLT
14	3338996	1	ASSY THERMOSTAT
15	3338997	1	ASSEMBLY, PUMP, WATER (INCLUDES ITEMS 16 - 20)
16	3338998	1	BODY WATER PUMP (NOT SHOWN)
17	3338999	1	BEARING (NOT SHOWN)
18	3339007	1	IMPELLER WATER PUMP (NOT SHOWN)
19	3339008	1	ASSY SEAL MECHANICAL (NOT SHOWN)
20	3339009	1	FLANGE W/PUMP SHAFT (NOT SHOWN)
21	3339010	1	GASKET, WATER PUMP

**ENGINE KUBOTA D1503 DIESEL - HEAD COVER, STARTER, AND FLYWHEEL**



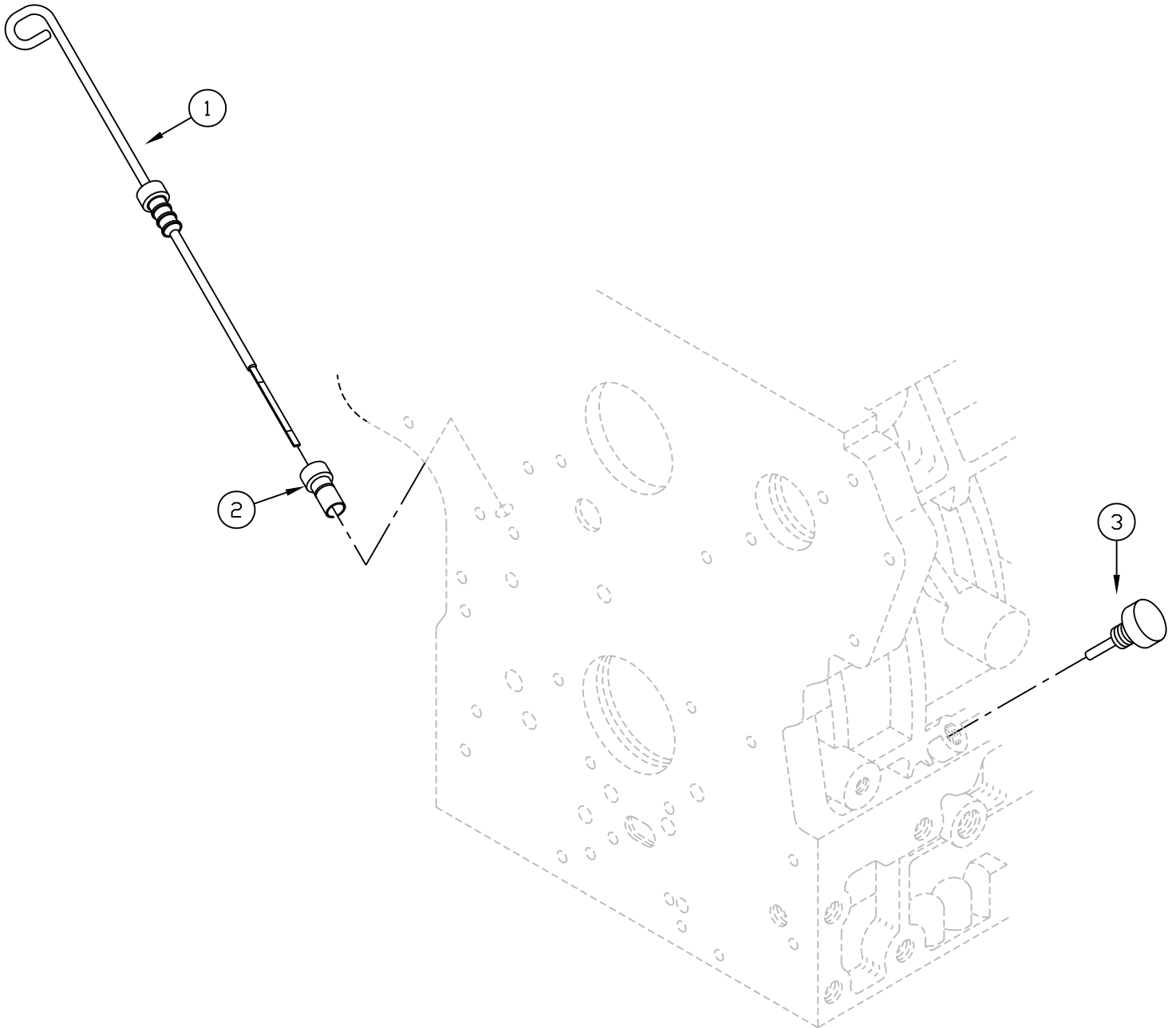
ENGINE KUBOTA D1503 DIESEL - HEAD COVER, STARTER, AND FLYWHEEL			
ITEM	PART NO.	QTY	DESCRIPTION
1	3338886	1	COVER, CYL HEAD (INCLUDES ITEMS 1 THROUGH 4)
2	3339504	1	SCREW WITH WASHER
3	3338888	1	COVER BREATHER
4	3338889	1	COMP.VALVE BREATHER
5	3338890	1	GASKET, HEAD COVER
6	3338891	8	BOLT
7	3331657	1	PLUG, OIL FILTER
8	3331658	1	O RING
9	3338892	1	TUBE BREATHER
10	3338893	1	CLAMP HOSE
11	3338894	1	CLAMP HOSE
12	3331984	1	ASSEMBLY, STARTER
13	3339492	1	STUD
14	3339493	1	BOLT
15	3339498	1	NUT
16	3339499	1	WASHER, SPRING
17	3339500	1	NUT
18	3339501	1	WASHER, SPRING
19	3331714	1	FLYWHEEL, COMPLETE
20	3331715	1	GEAR, RING
21	3331716	6	BOLT, FLYWHEEL
22	3331717	1	HOUSING, FLYWHEEL
23	3331718	1	COVER
24	3331719	1	BOLT
25	3331720	1	WASHER, SPRING
26	3331721	11	BOLT, F/HOUSING
27			

**ENGINE KUBOTA D1503 DIESEL - INJECTION PUMP, NOZZLE HOLDER, AND GLOW PLUG**



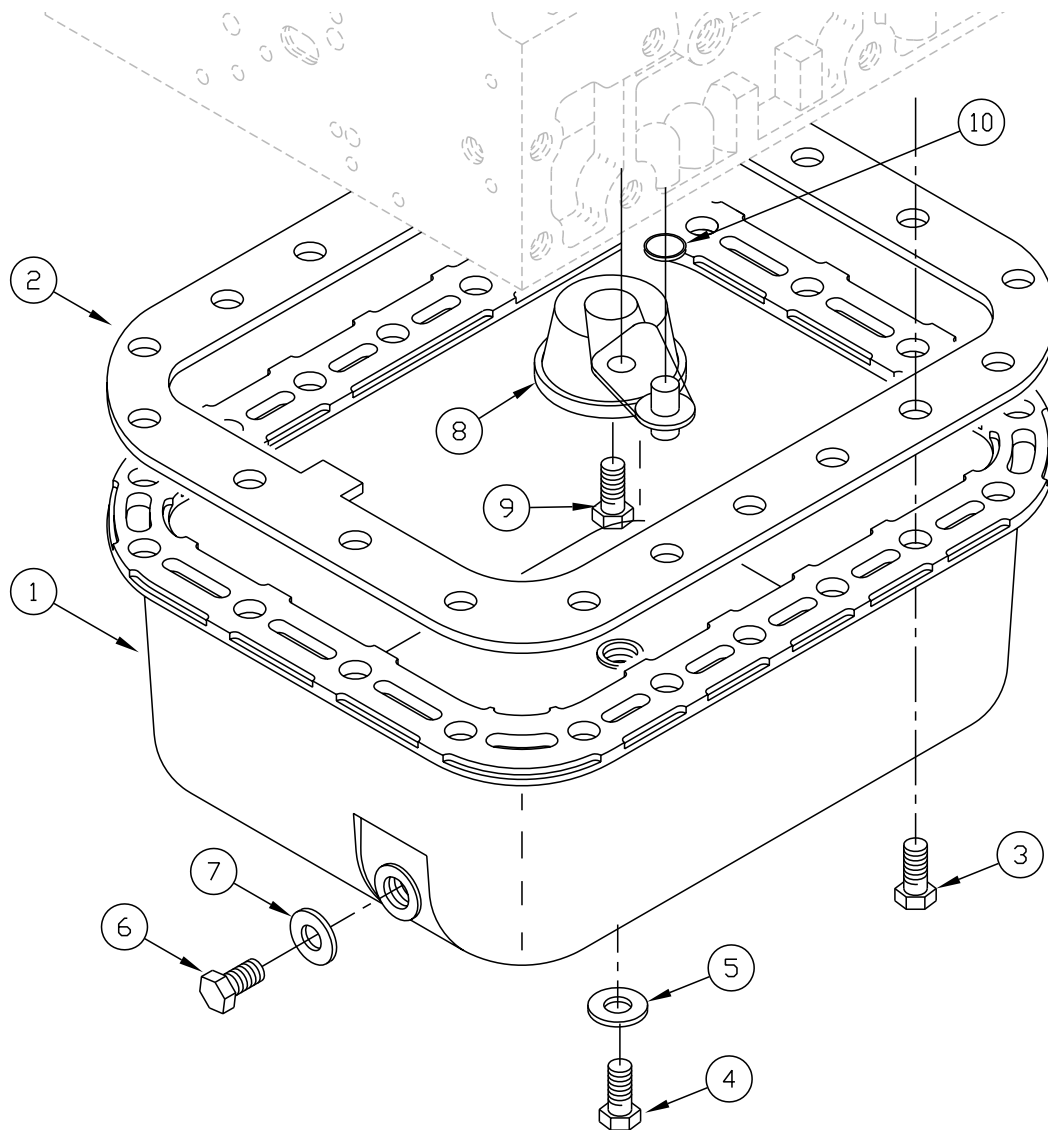
ENGINE KUBOTA D1503 DIESEL - INJECTION PUMP, NOZZLE HOLDER, AND GLOW PLUG			
ITEM	PART NO.	QTY	DESCRIPTION
1	3331845	1	ASSEMBLY, PIPE, OVER FLOW
2	3331846	1	ASSEMBLY, PIPE, OVER FLOW (INCLUDES ITEMS 3 & 4)
3	3331847	1	CLIP, PIPE
4	3331848	1	CLIP, PIPE
5	3338945	3	ASSEMBLY, HOLDER, NOZZLE (INCLUDES ITEMS 6, 7, & 8)
6	3331851	3	PIECE, NOZZLE
7	3331852	3	GASKET
8	3331853	3	SEAL, HEAT
9	3331856	1	PIPE, INJECTION
10	3331859	1	PIPE, INJECTION
11	3331862	1	PIPE, INJECTION
12	3331866	3	PLUG, GLOW
13	3331867	1	CORD, PLUG, GLOW
14	3338946	1	NUT FLANGE
15	3338899	1	ASSY PUMP, INJECTION (INCLUDES ITEMS 16 & 17)
16	3338900	1	SCREW, HOLLOW
17	3338901	2	GASKET
18	3338902	1	SHIM INJECTION PUMP 0.20 MM
	3338903	1	SHIM INJECTION PUMP 0.25 MM
19	3338904	1	SHIM, INJECT ION PUMP 0.30 MM
	3338905	1	SHIM INJECTION PUMP 0.175 MM
20	3338909	1	JOINT, EYE
21	3331787	1	ASSY COCK JET START
22	3338910	1	ASSY PIPE FUEL (INCLUDES ITEM 23)
23	3338911	2	CLIP PIPE
24	3338912	1	COVER INJ PUMP
25	3338913	1	GASKET, PUMP COVER
26	3338915	1	BRACKET, ACCEL CABLE

**ENGINE KUBOTA D1503 DIESEL - DIPSTICK AND GUIDE**



ENGINE KUBOTA D1503 DIESEL - DIPSTICK AND GUIDE			
ITEM	PART NO.	QTY	DESCRIPTION
1	3338895	1	GAUGE, OIL
2	3338896	1	GUIDE OIL GAUGE
3	3338897	1	PLUG

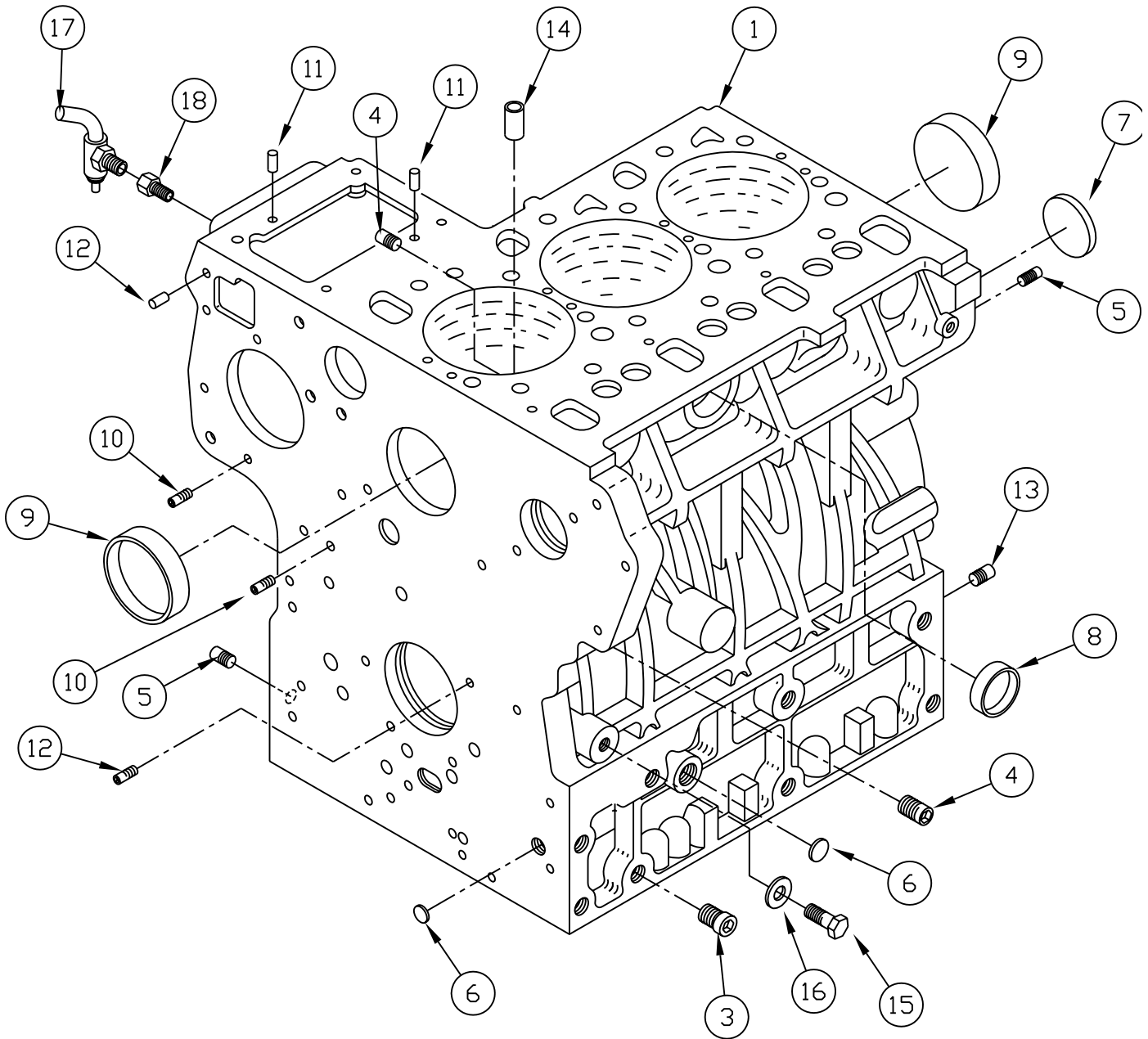
## ENGINE KUBOTA D1503 DIESEL - OIL PAN



ENGINE KUBOTA D1503 DIESEL - OIL PAN

ITEM	PART NO.	QTY	DESCRIPTION
1	3331582	1	OIL PAN
2	3331583	1	GASKET, OIL PAN
3	3338822	20	BOLT FLANGE
4	3338823	1	PLUG DRAIN
5	3338824	1	GASKET
6	3338825	1	PLUG DRAIN
7	3305252	1	GASKET
8	3338826	1	FILTER OIL
9	3338827	1	BOLT FLANGE
10	3338828	1	O RING

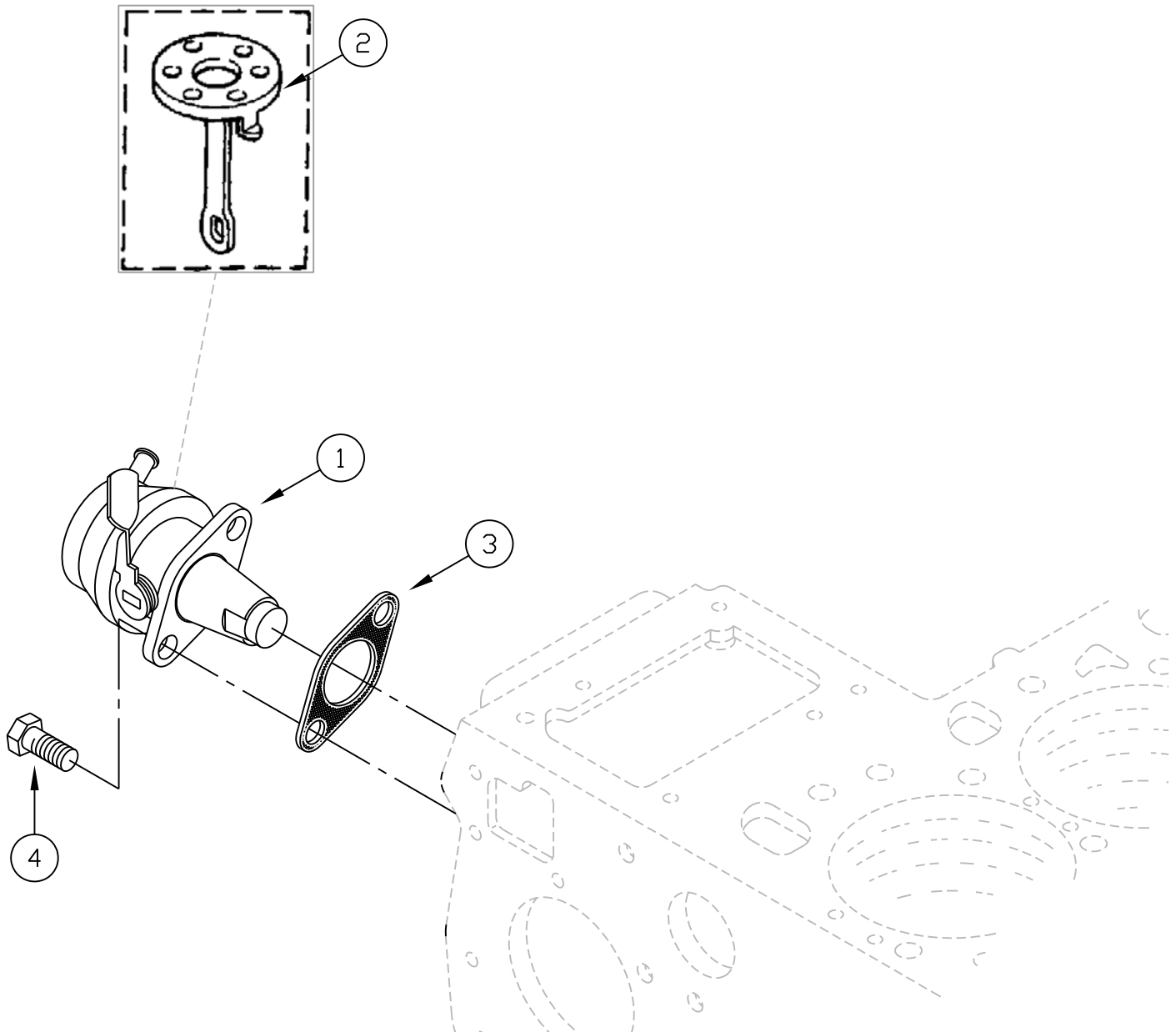
**ENGINE KUBOTA D1503 DIESEL - CRANKCASE**





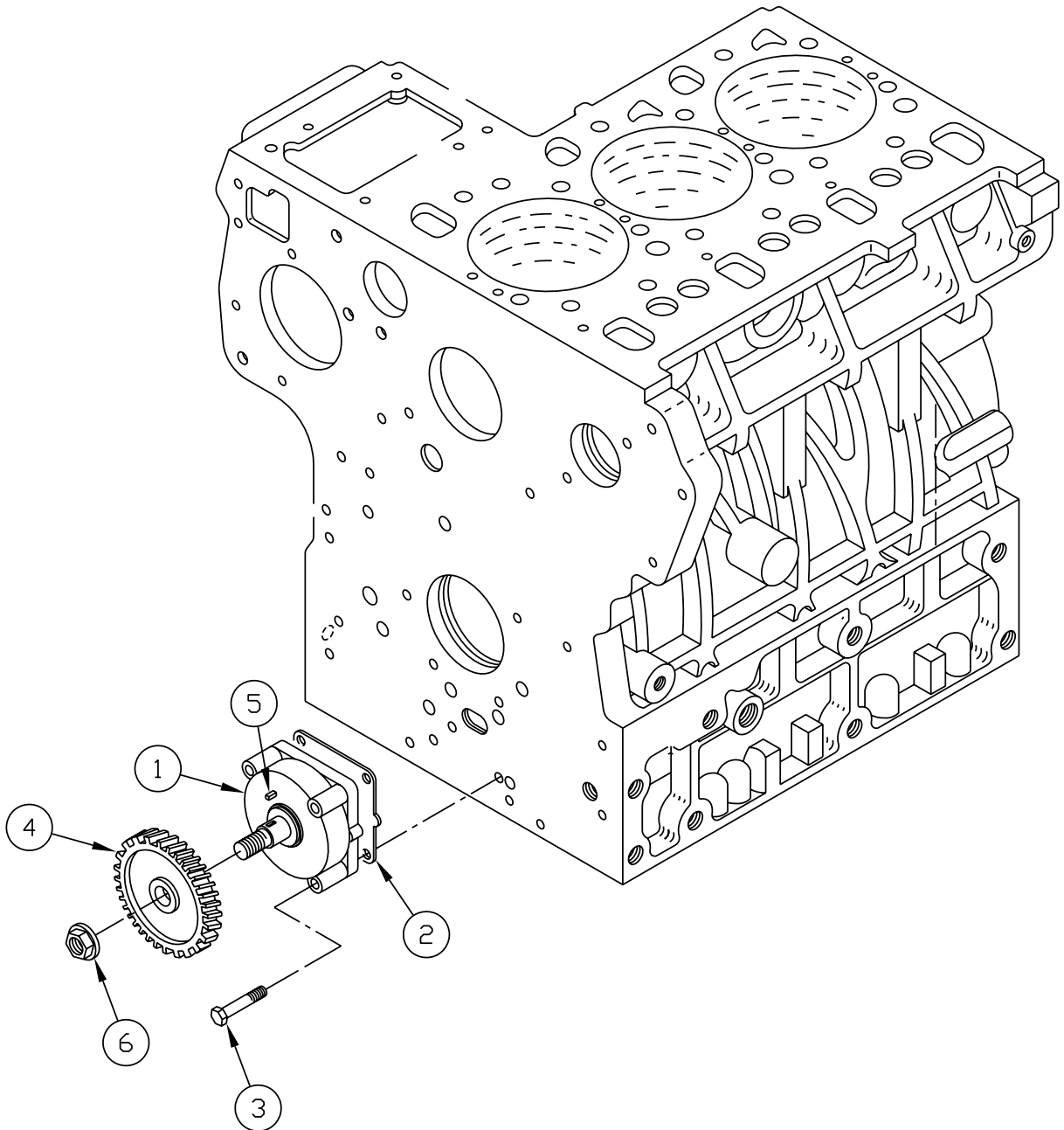
ENGINE KUBOTA D1503 DIESEL - CRANKCASE			
ITEM	PART NO.	QTY	DESCRIPTION
1	3331554	1	COMP. LONGBLOCK
2	3338829	1	PLUG
3	3338830	2	PLUG
4	3338831	5	PLUG
5	3338832	2	PLUG
6	3338833	3	PLUG EXPANSION
7	3338834	1	PLUG EXPANSION
8	3338835	5	CAP SEALING
9	3338836	2	CAP SEALING
10	3338837	2	PIN STRAIGHT
11	3338838	3	PIN STRAIGHT
12	3338839	2	PIN STRAIGHT
13	3338840	1	PIN STRAIGHT
14	3338841	1	PIN PIPE
15	3338842	1	PLUG
16	3338843	1	GASKET
17	3338844	1	COCK DRAIN
18	3338845	1	JOINT DRAIN COCK

ENGINE KUBOTA D1503 DIESEL - FUEL PUMP



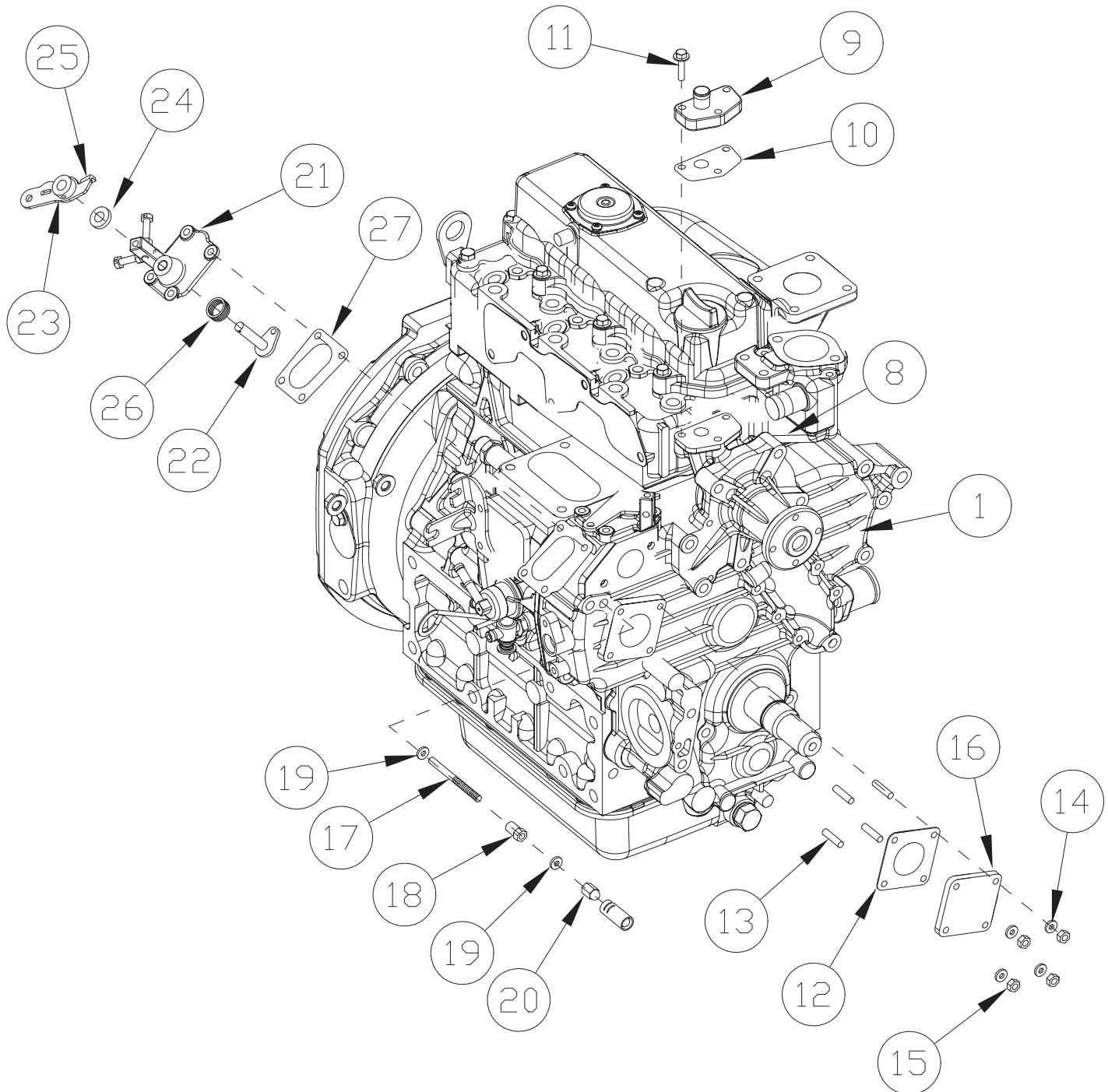
ENGINE KUBOTA D1503 DIESEL - FUEL PUMP			
ITEM	PART NO.	QTY	DESCRIPTION
1	3331924	1	ASSEMBLY, PUMP, FUEL
2	3338930	1	GASKET, FUEL PUMP
3	3331925	1	GASKET, PUMP, FUEL
4	3331926	2	BOLT

## ENGINE KUBOTA D1503 DIESEL - OIL PUMP



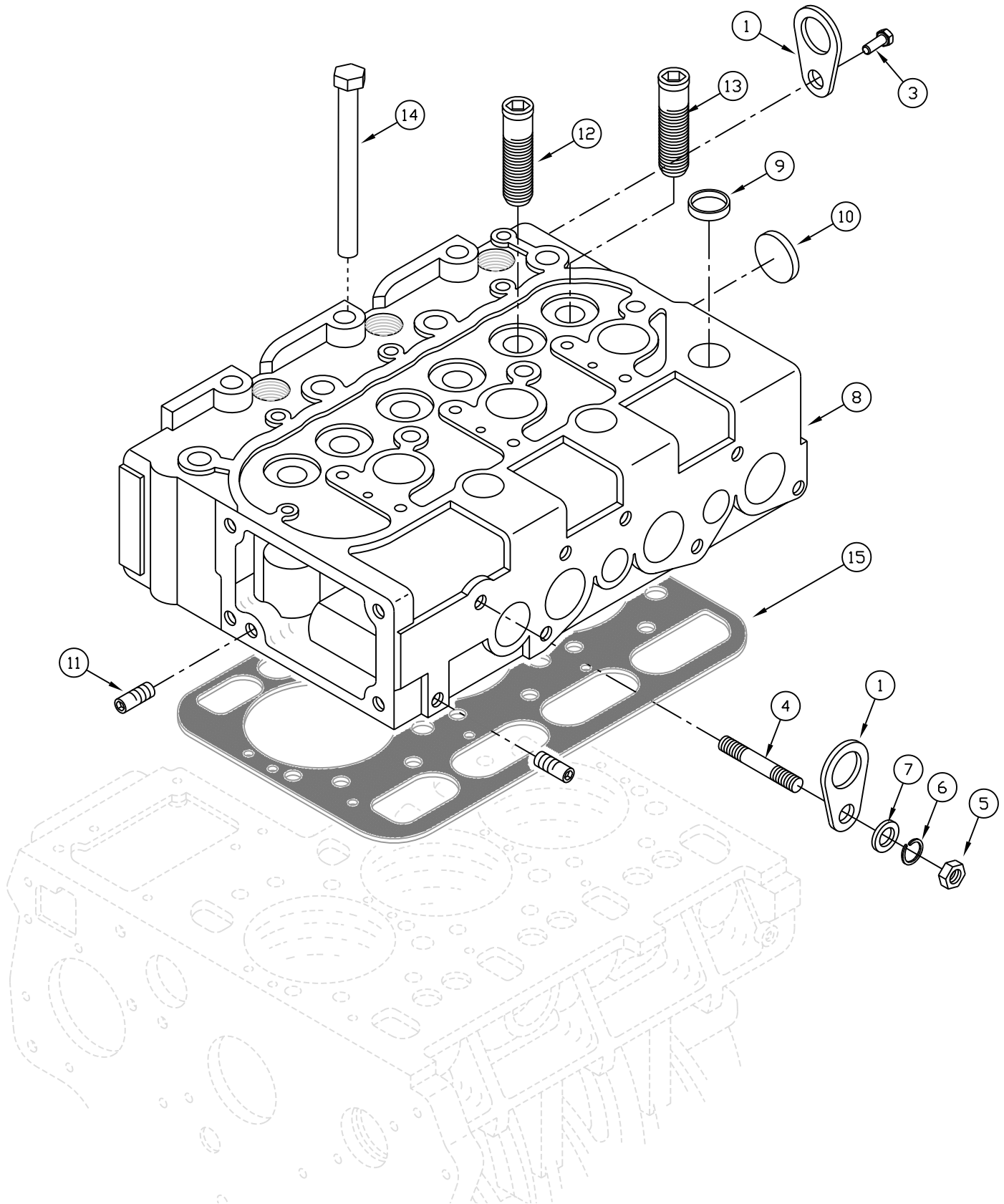
OIL PUMP			
ITEM	PART NO.	QTY	DESCRIPTION
1	3338846	1	ASSY PUMP OIL
2	3338847	1	GASKET OIL PUMP
3	3338848	4	BOLT
4	3338849	1	GEAR OIL PUMP DRIVE
5	3338850	1	KEY FEATHER
6	3338851	1	NUT FLANGE

**ENGINE KUBOTA D1503 DIESEL - GEAR CASE AND SPEED CONTROL PLATE**



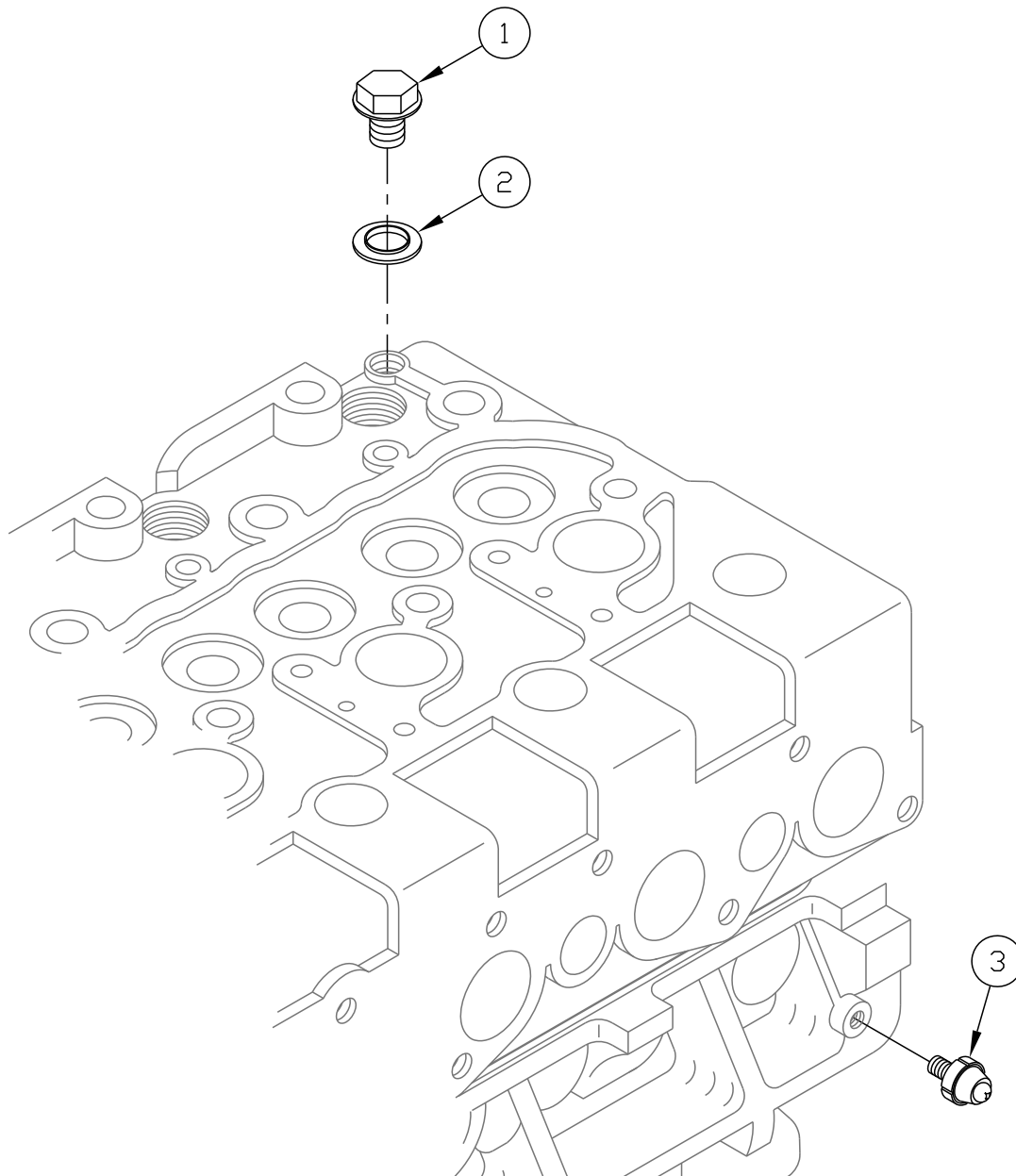
ENGINE KUBOTA D1503 DIESEL - GEAR CASE			
ITEM	PART NO.	QTY	DESCRIPTION
1	3338852	1	ASSY CASE, GEAR (INCLUDES ITEMS 2 -7)
2	3338853	2	PLUG (NOT SHOWN)
3	3338854	1	O RING (NOT SHOWN)
4	3338855	2	O RING (NOT SHOWN)
5	3338856	1	O RING (NOT SHOWN)
6	3338857	2	PIN, STRAIGHT (NOT SHOWN)
7	3338858	1	CAP, SEALING (NOT SHOWN)
8	3338859	1	GASKET, GEAR CASE (NOT SHOWN)
9	3338870	1	FLANGE, WATER RETURN
10	3338871	1	GASKET RETURN FLANGE
11	3338872	3	BOLT
12	3338874	1	GASKET, HOUR METER
13	3338875	4	STUD
14	3338876	4	NUT
15	3338877	4	WASHER, SPRING
16	3338878	1	COVER
17	3338931	1	ASS BOLT ADJUSTMENT
18	3338932	1	NUT
19	3338933	2	GASKET
20	3338934	1	NUT
21	3338935	1	ASSY PLATE CONTROL (INCLUDES ITEMS 22 - 26)
22	3338936	1	COMP.LEVER GOVERNOR
23	3338937	1	LEVER SPEED CONTROL
24	3338938	1	SEAL OIL
25	3338939	1	PIN SPRING
26	3338940	1	SPRING RETURN
27	3338941	1	GASKET PLATE

**ENGINE KUBOTA D1503 DIESEL - CYLINDER HEAD**



ENGINE KUBOTA D1503 DIESEL - CYLINDER HEAD			
ITEM	PART NO.	QTY	DESCRIPTION
1	3338879	2	HOOK ENGINE
2			NOT USED
3	3331595	1	BOLT
4	3338880	1	STUD
5	3332099	1	NUT
6	3338881	1	WASHER SPRING
7	3338882	1	WASHER PLAIN
8	3338883	1	HEAD, CYLINDER, COMPLETE
9	3331603	9	CAP, SEALING
10	3331604	1	CAP, SEALING
11	3331605	2	PLUG
12	3331606	3	GUIDE, INLET VALVE
13	3331607	3	GUIDE, EXHAUST VALVE
14	3338884	14	BOLT, CYLINDER HEAD
15	3338885	1	GASKET, CYL HEAD

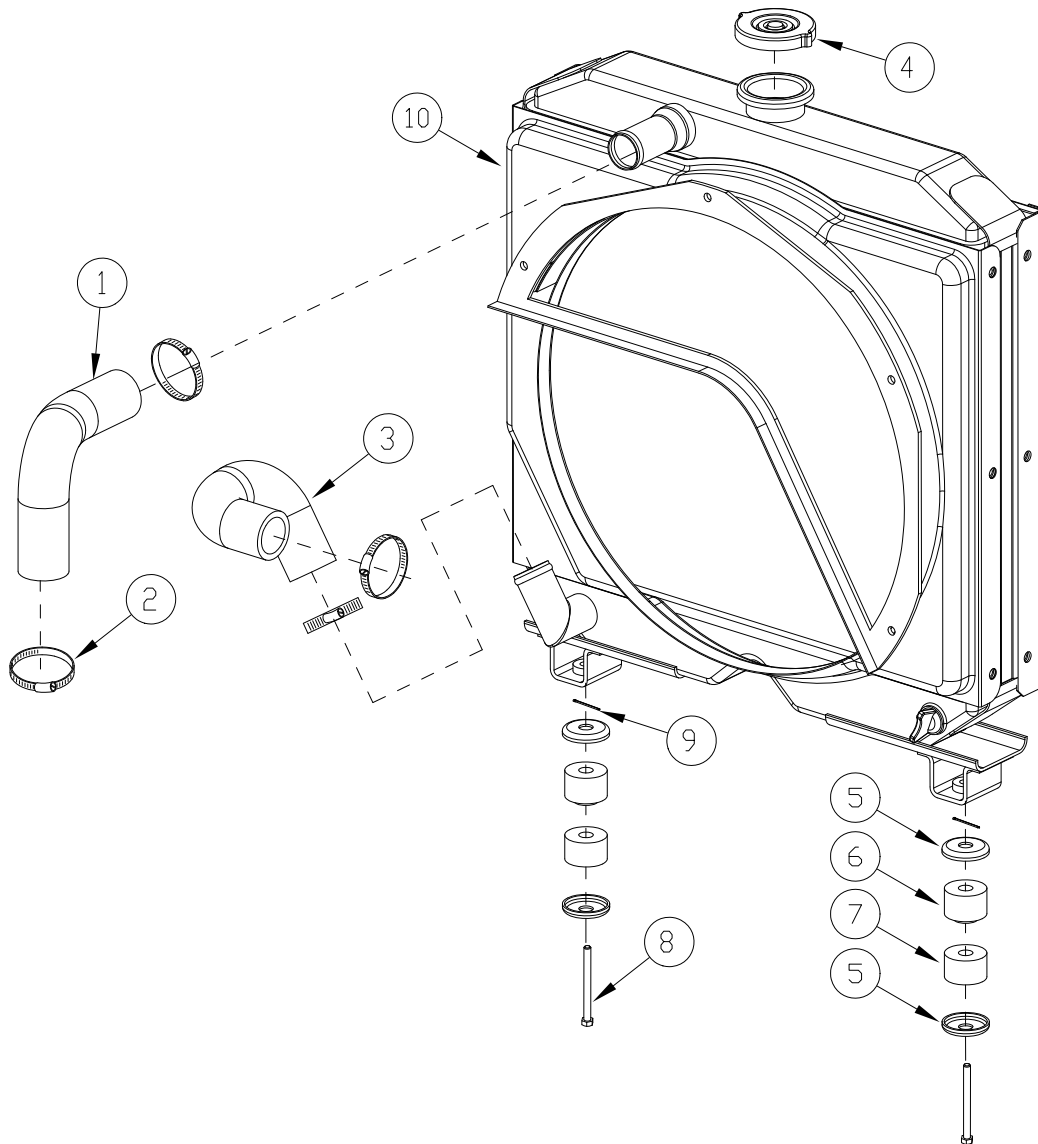
**ENGINE KUBOTA D1503 DIESEL - PLUG CYLINDER HEAD**



ENGINE KUBOTA D1503 DIESEL - PLUG CYLINDER HEAD			
ITEM	PART NO.	QTY	DESCRIPTION
1	3332023	1	PLUG
2	3332024	1	WASHER, WITH RUBBER
3	3338970	1	SWITCH OIL



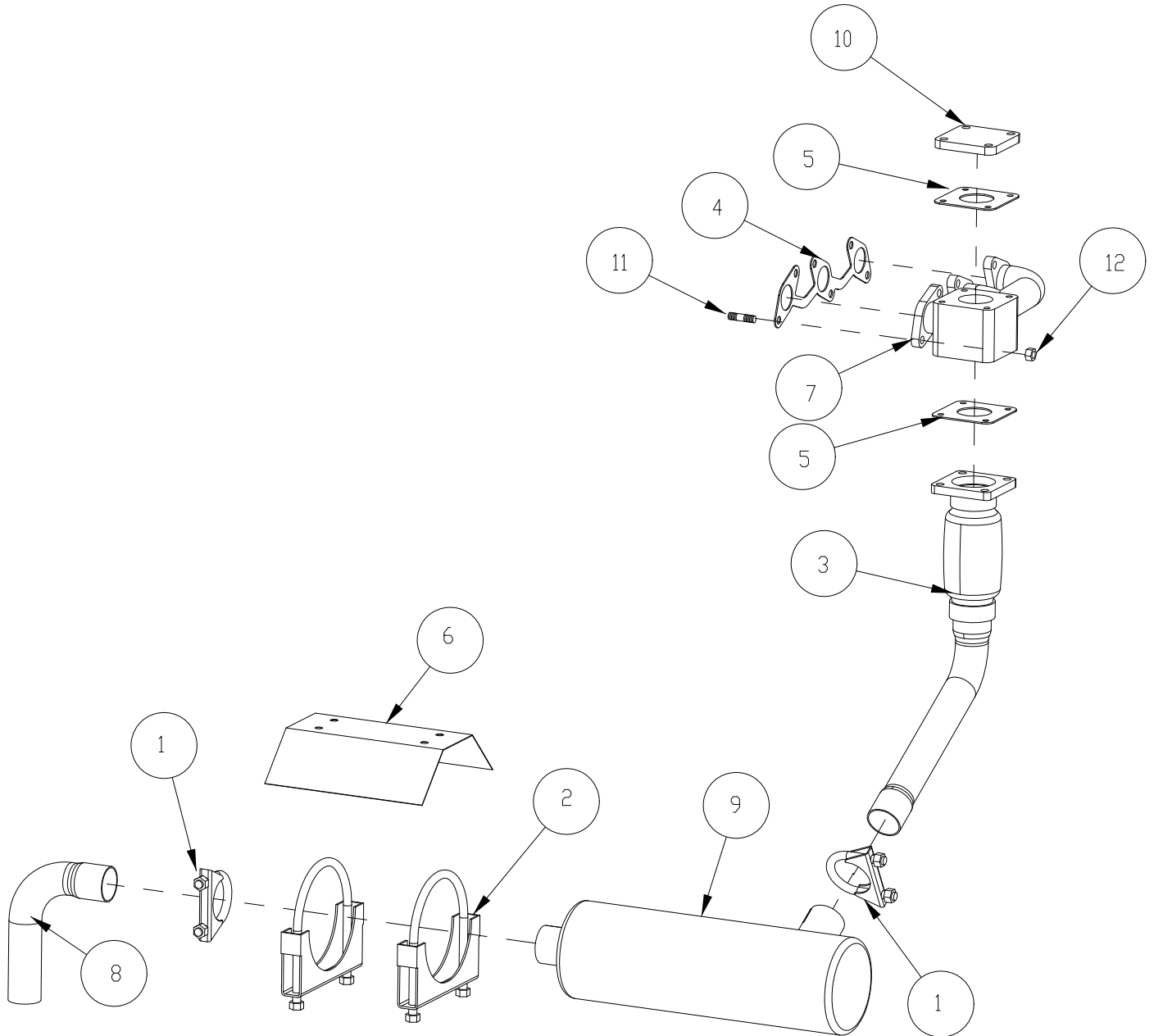
## ENGINE KUBOTA D1503 DIESEL - RADIATOR



## ENGINE KUBOTA D1503 DIESEL - RADIATOR

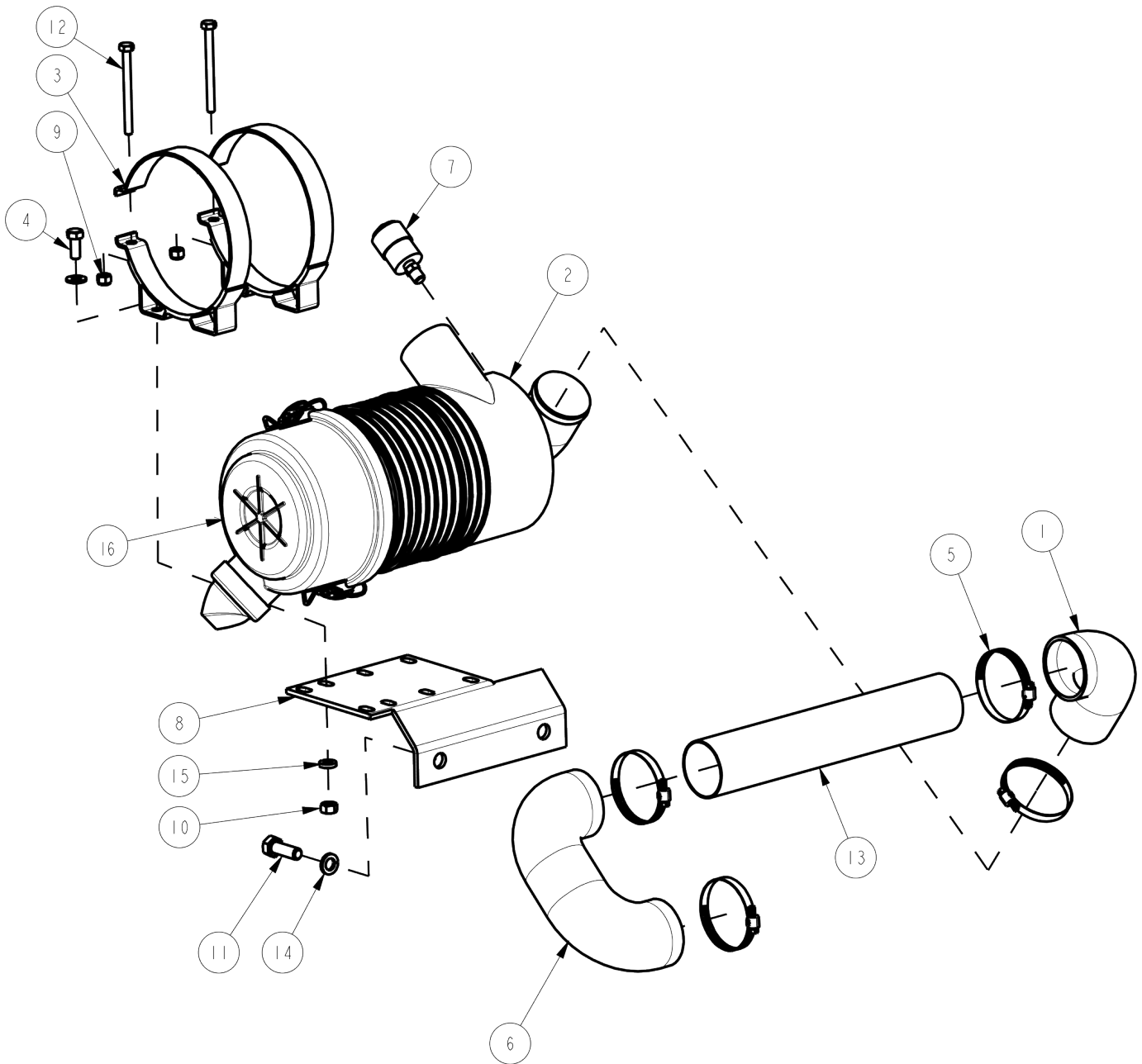
ITEM	PART NO.	QTY	DESCRIPTION
1	3338971	1	HOSE RADIATOR UPPER
2	3338972	4	CLAMP
3	3338973	1	HOSE RADIATOR LOWER
4	3338974	1	CAP RADIATOR
5	3338975	4	WASHER
6	3338976	2	CUSHION
7	3338977	2	CUSHION
8	3338978	2	PIN
9	3338979	2	PIN, SNAP
10	3332057	1	RADIATOR ASSEMBLY

**ENGINE KUBOTA D1503 DIESEL - EXHAUST SYSTEM COMPLETE**



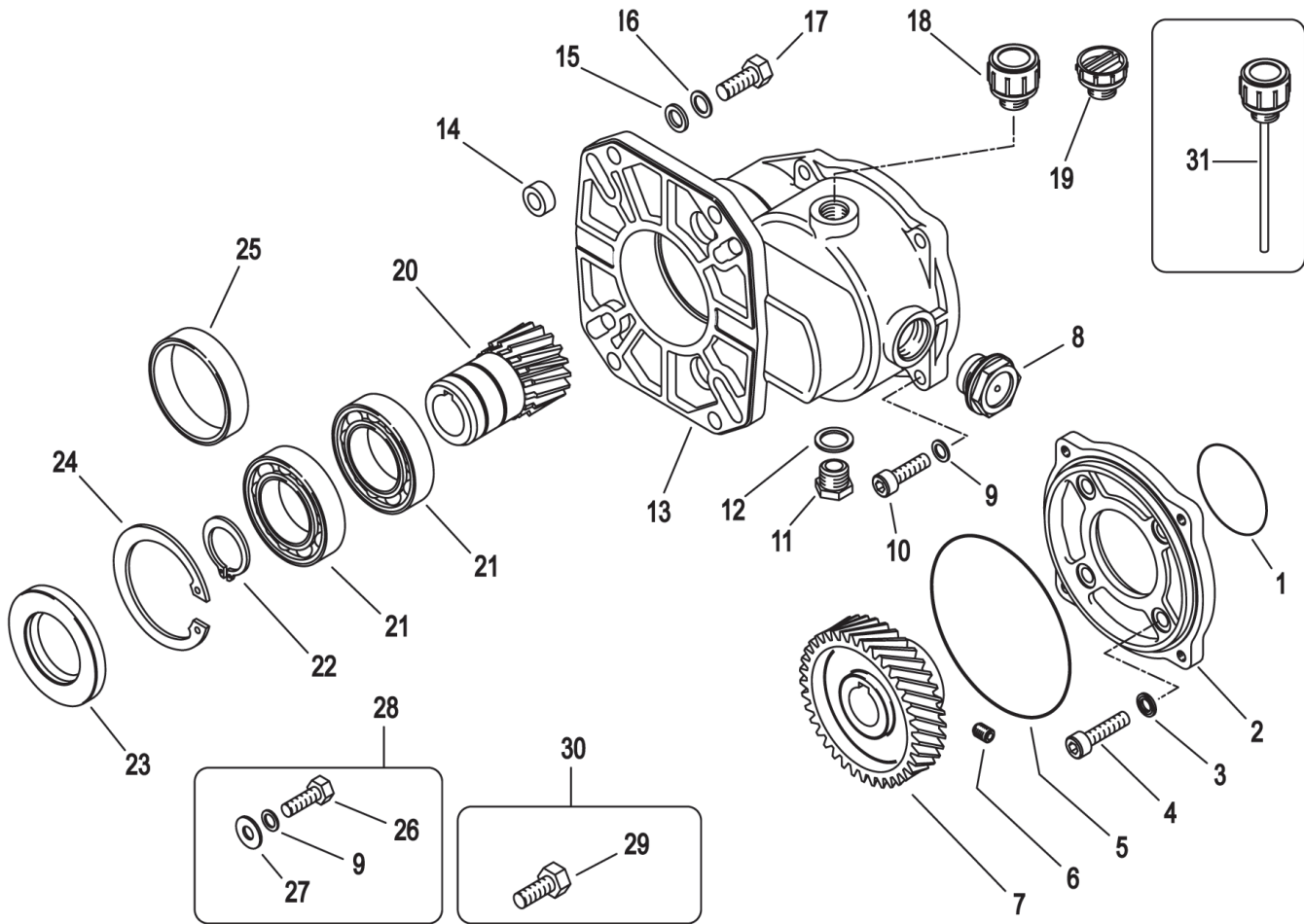
ENGINE KUBOTA D1503 DIESEL - EXHAUST SYSTEM COMPLETE			
ITEM	PART NO.	QTY	DESCRIPTION
1	3333448	2	CLAMP-MUFFLER 1.75
2	3333445	2	CLAMP-MUFFLER DONALDSON
3	3333442	1	EXHAUST PIPE
4	3333440	1	GASKET-EXHAUST
5	3332122	2	GASKET-MANIFOLD
6	3333447	1	HEAT SHIELD
7	3333439	1	MANIFOLD-EXHAUST
8	3333446	1	TAILPIPE 5/8 ELBOW 4 X 6
9	3350433	1	MUFFLER-H25 NISSAN
10	3333441	1	PLATE-BLOCK OFF
11	3339111	6	STUD EXHAUST
12	3339112	6	NUT EXHAUST

**ENGINE KUBOTA D1503 DIESEL - AIR CLEANER**



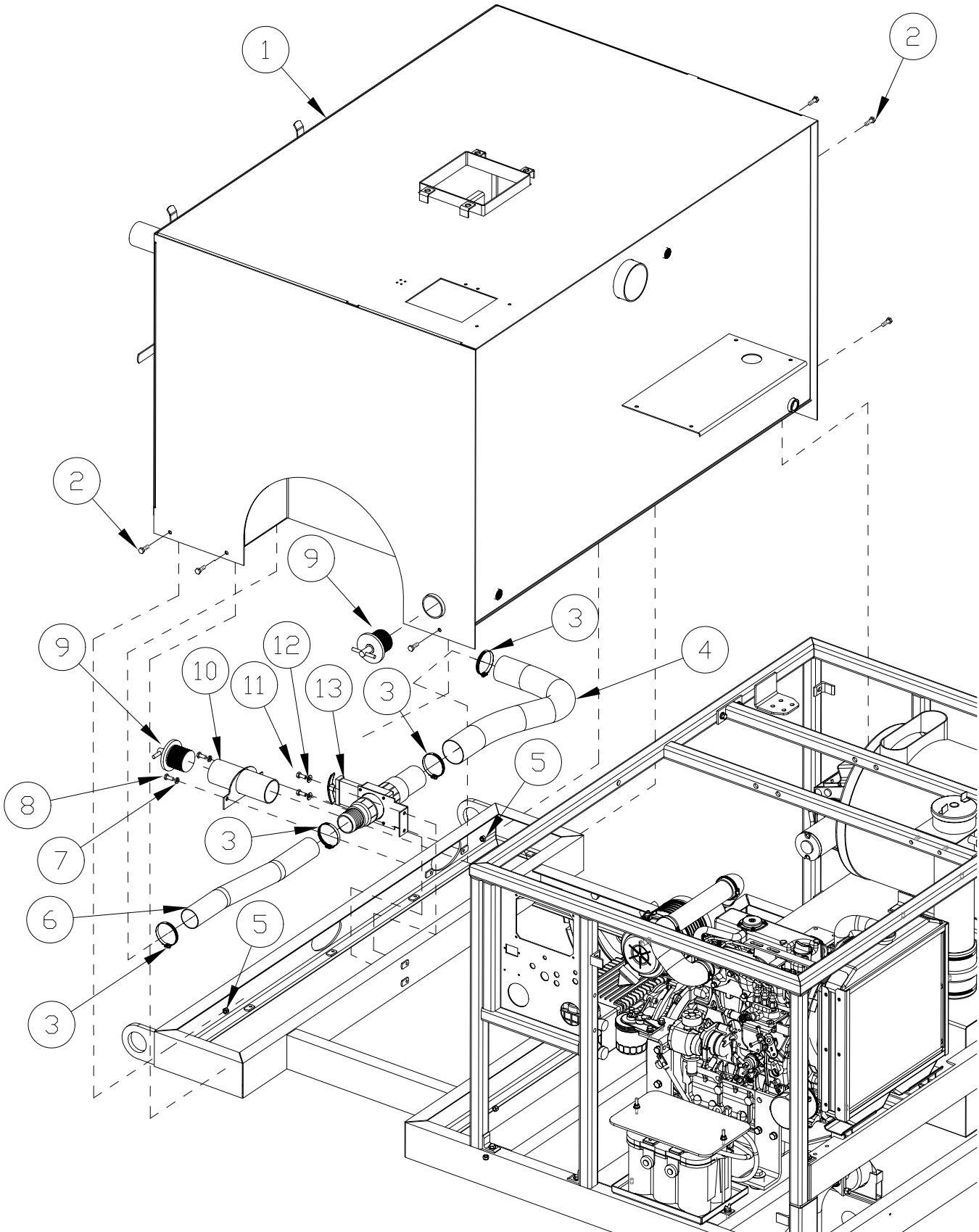
ENGINE KUBOTA D1503 DIESEL - AIR CLEANER			
ITEM	PART NO.	QTY	DESCRIPTION
1	3303385	1	ADAPTER-90 ELL RUBBER 3.50X2.5
2	3317917	1	AIR CLEANER ASSY-5" RADIAL SEAL
3	3300459	2	BAND-MTG AIR CLEANER PNTD BLAC
4	3400036	4	BOLT-HH 5/16-18X3/4
5	3044112	4	CLAMP - HOSE, DIAM. 2.5" SS
6	3315676	1	HOSE-AIR INTAKE MANIF. ARMA
7	3303991	1	INDICATOR-AIR CLEANER
8	3315500	1	MNT-AIR CLEANER HAYES
9	3400081	2	NUT-HEX 1/4-20 ES ZP
10	3400070	4	NUT-HEX 5/16-18 ZP
11	3400296	2	SCR-HEX M12 X 1.25 X 30 MM, ZP
12	3400252	2	SCR-HEX,1/4-20X3.0 ZP
13	3350248	1	TUBE-AIR INTAKE 10X
14	3400098	2	WSR-LOCK 1/2, ZP
15	3400102	4	WSR-LOCK 5/16, ZP
16	3321143	1	FILTER ELEMENT INNER
	3322572	1	FILTER ELEMENT OUTER

**GEAR REDUCER**



Gear Reducer			
ITEM	PART NO.	QTY	DESCRIPTION
1	3339967	1	O-RING
2	3339968	1	FLANGE
3	3339969	4	8MM SEALING WASHER
4	3339970	4	SCREW M8 X 30MM
5	3339971	1	O-RING
6	3339972	1	SCREW M8 X 10MM
7	3339973	1	37 GEAR
8	3339974	1	OIL PLUG
9	3339975	8	WASHER 8.4MM
10	3339976	4	SCREW M8 X 25MM
11	3339977	1	3/8 BSP PLUG
12	3339978	1	WASHER 16 X 22MM
13	3339979	1	AL. HOUSING
14	3339980	4	SPACER
15	3339981	4	WASHER 10 X 17MM
16	3339982	4	WASHER 10.5MM
17	3339983	4	3/8" X 1-1/4"
18	3339984	1	OIL PLUG & SEAL
19	3339985	1	3/8" PLAS. CAP
20	3339986	1	1" GEAR
	3339987	1	1-1/8" GEAR
21	3339988	2	BEARING (STANDARD)
	3339989	2	BEARING ("P MODELS")
22	3339990	1	ELAS. RING 40 MM
23	3339991	1	SEAL 40MM
24	3339992	1	ELAS. RING 72MM
25	3339993	1	SPACER 68MM
26	3339994	4	SCREW 5/16" X 1"
27	3339995	4	WASHER 8.4 X 20MM
28	3339996	1	KIT 5/16" D. 127MM
29	3339802	4	SCREW M10
30	3339803	1	KIT D. 135MM M10
31	3339999	1	OIL PLUG

**RECOVERY TANK AND DRAIN**

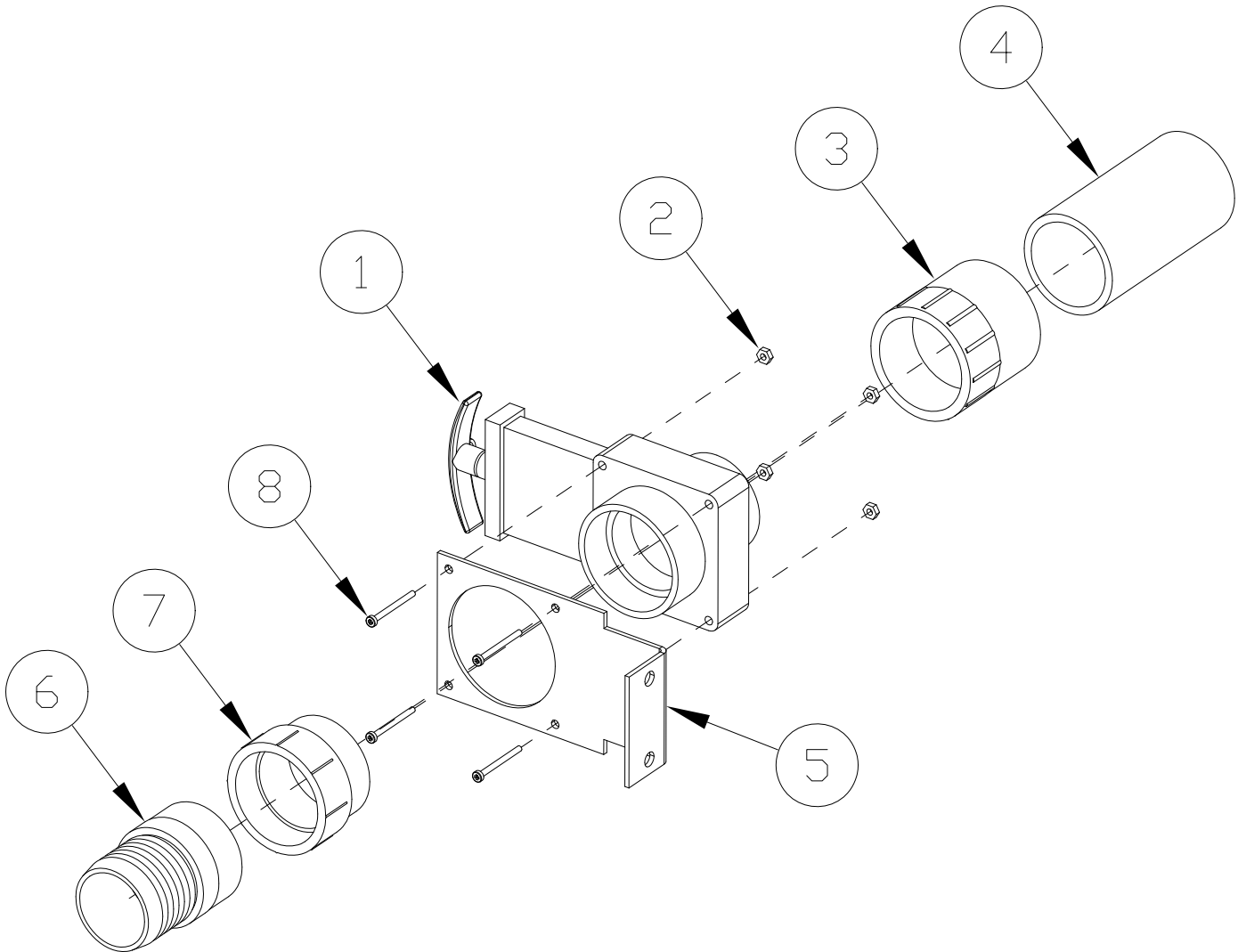




RECOVERY TANK AND DRAIN			
ITEM	PART NO.	QTY	DESCRIPTION
1	3320432	1	WELDMENT - SOL/REC TANK
2	3400318	6	SCREW-HEX, 5/16-18X1.00 SS
3	3044112	4	CLAMP-HOSE 2.50 MAX WORM
4	3500132*	ORDER BY LENGTH*	HOSE, VINYL REINF 2-1/2 ID
5	3400332	6	NUT-HEX 5/16-18 ES SS
6	3500467*	ORDER BY LENGTH*	HOSE, 2" VAC-U-FLEX GRAY
7	712575	2	SCREW-HEX 5/16 X 3/4 SS
8	711545	2	WASHER-HELICAL 5/16
9	3300451	1	PLUG-ADJ DRAIN HOSE CLOSURE
10	3331089	1	WELD, DRAIN
11	3400036	2	SCREW-HEX, 5/16-18x0.75 ZP
12	3400384	2	WASHER-CONICAL SPRING 5/16
13	3332185	1	ASSY- DUMP VALVE

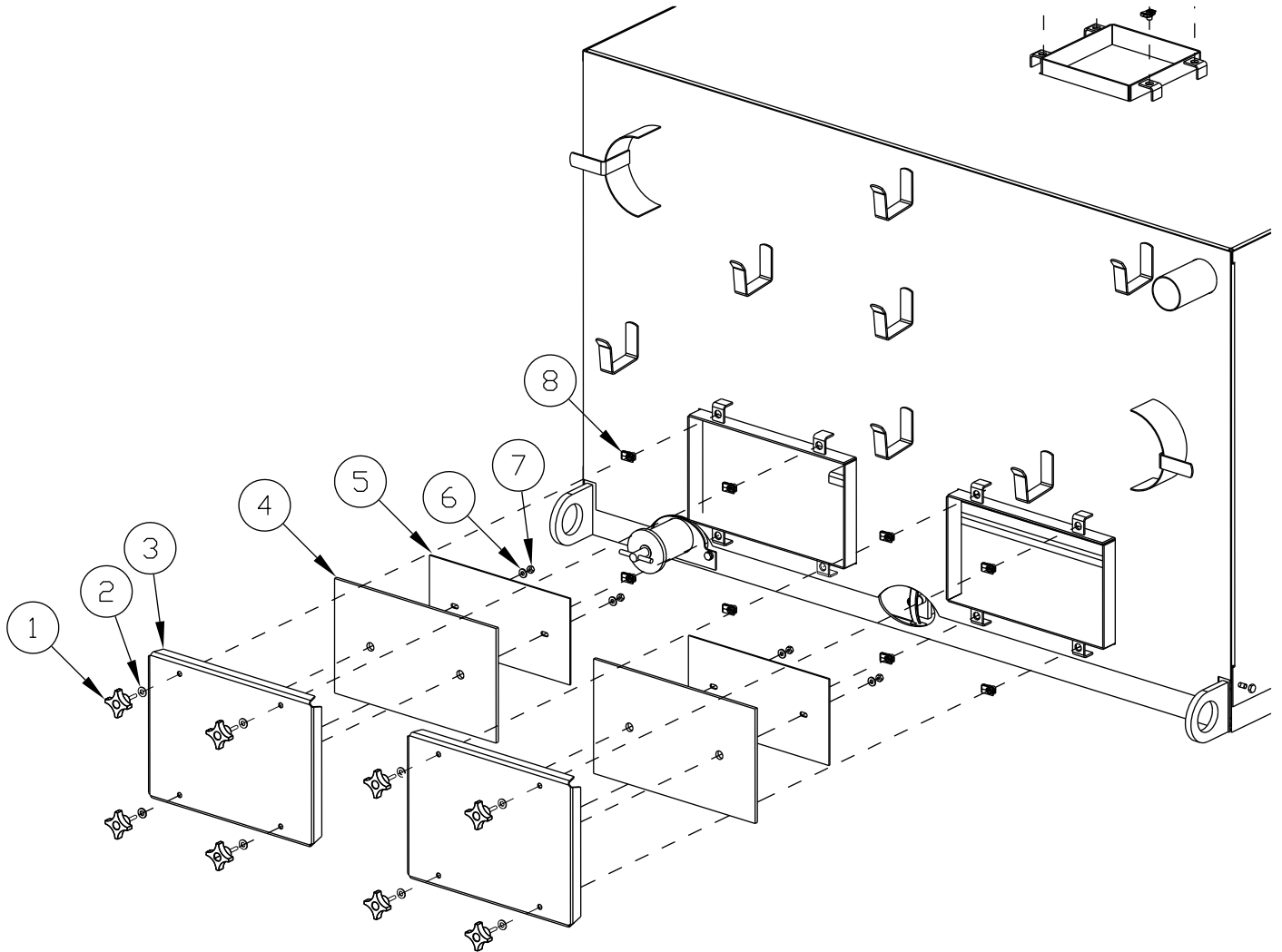
\*NOTE: When ordering this part use the length in feet as the quantity, i.e. 2 ft. = qty 2.

**RECOVERY TANK DUMP VALVE**



RECOVERY TANK DUMP VALVE			
ITEM	PART NO.	QTY	DESCRIPTION
1	900047	1	VALVE, DUMP 30&55G
2	3400072	4	NUT, HEX #10-32 ZP
3	3400952	1	ADAPTER, FEMALE 2" THRDED
4	3320779	1	EXTENSION 2" PVC
5	3331057	1	BRACKET, GATE VALVE
6	3400953	1	NIPPLE, 2" THREADED
7	3400954	1	THREADED, FEMALE
8	3400346	4	SCR, PAN,#10-32 X 2.00 SLT ZP

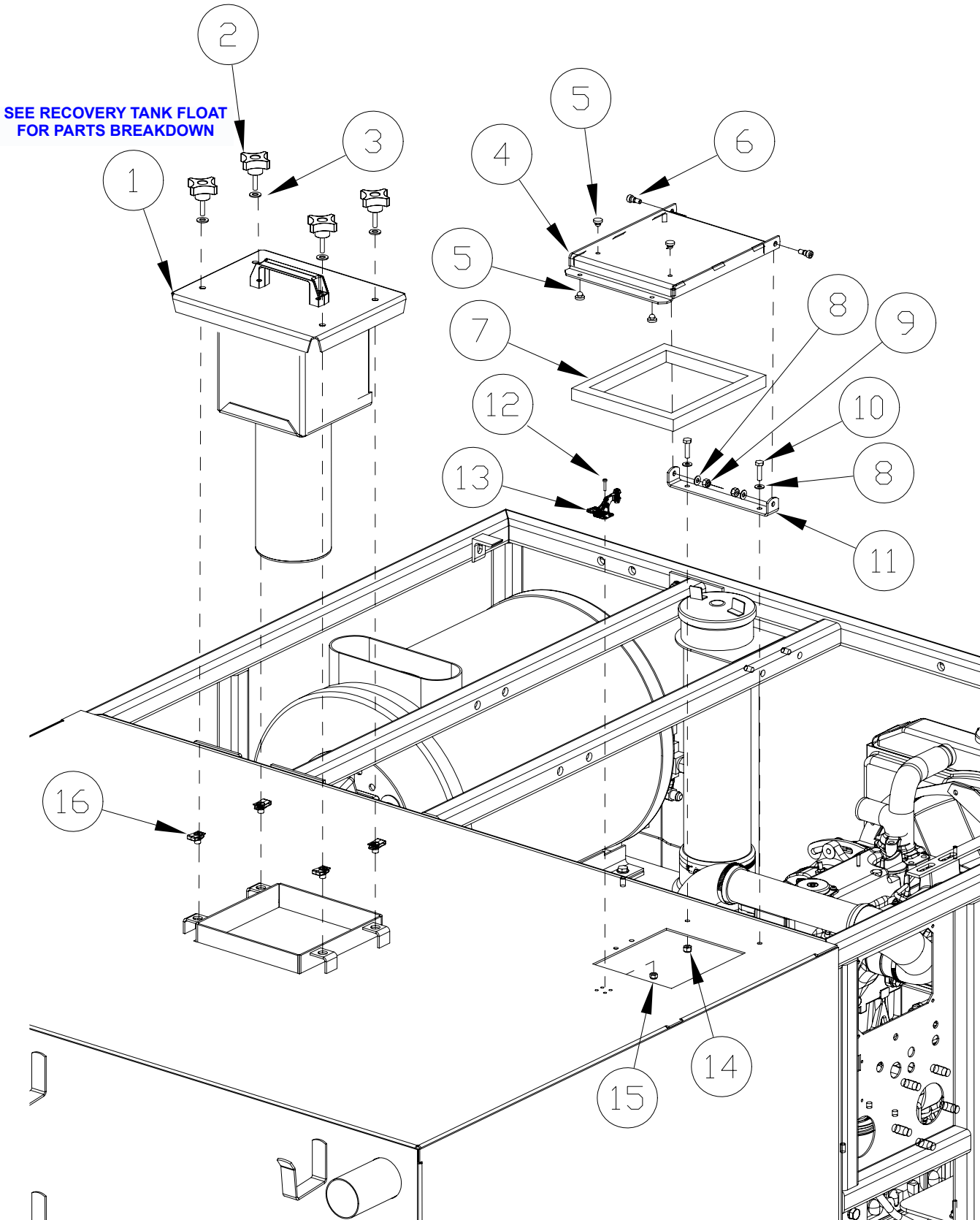
## RECOVERY TANK CLEAN OUT DOORS



## RECOVERY TANK CLEAN OUT DOORS

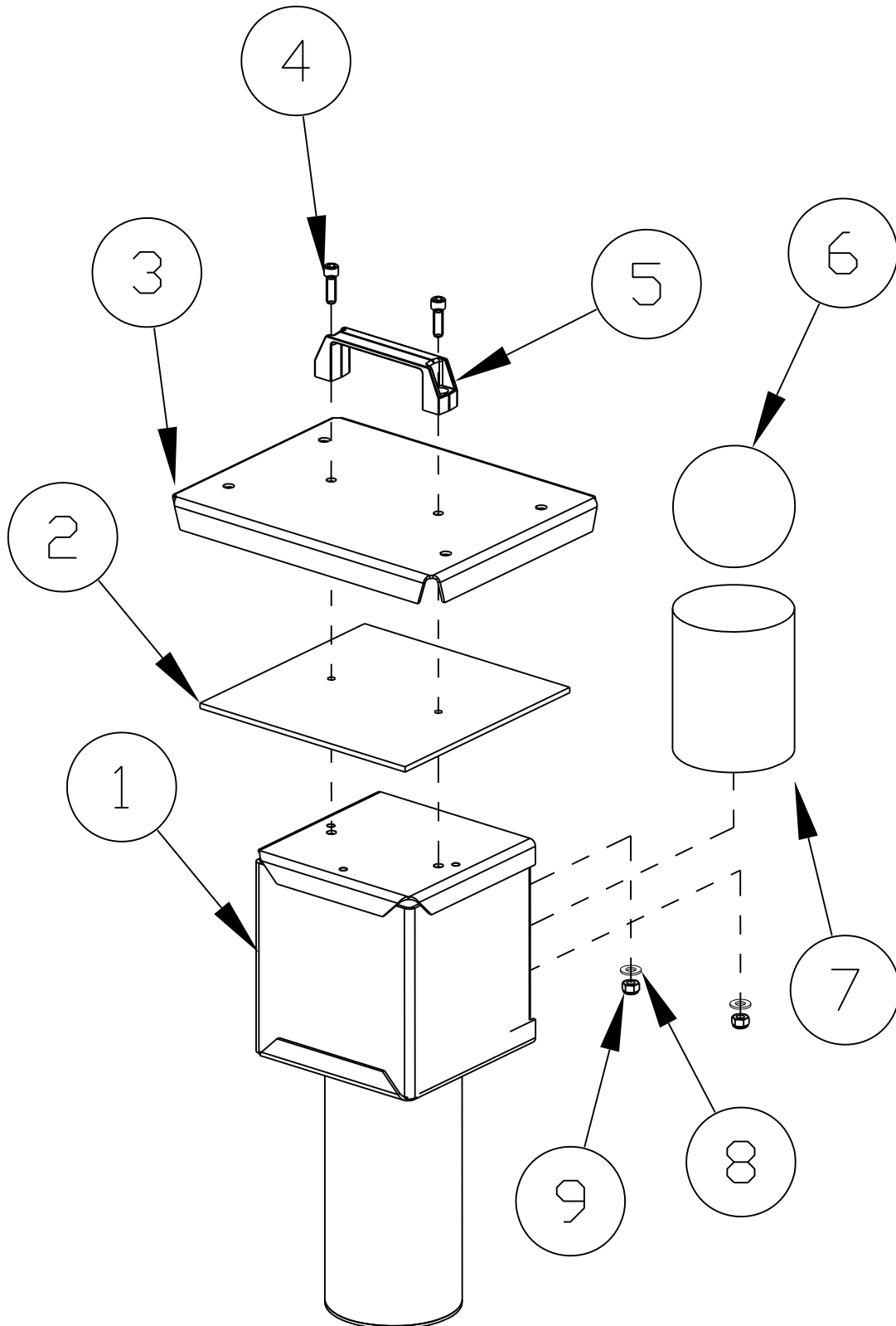
ITEM	PART NO.	QTY	DESCRIPTION
1	3305871	8	KNOB, CLAMPING BLACK PHENOLIC
2	3400088	8	WASHER-FLAT 5/16 IDx.688 ODx.065 THK
3	3300779	2	ASSY, DOOR CLEANOUT PNTD
4	3300403	2	GASKET, CLEANOUT DOOR
5	3300856	2	RETAINER PL, CLEANOUT DOOR
6	3400089	4	WASHER, FLAT 1/4 STANDARD ZP
7	712667	4	NUT-NYLOC 1/4-20 SS
8	3306424	8	CLIPNUT, 5/16-18 FULLBODY

**TANK ACCESS PORT AND CLEAN WATER FILL PORT**



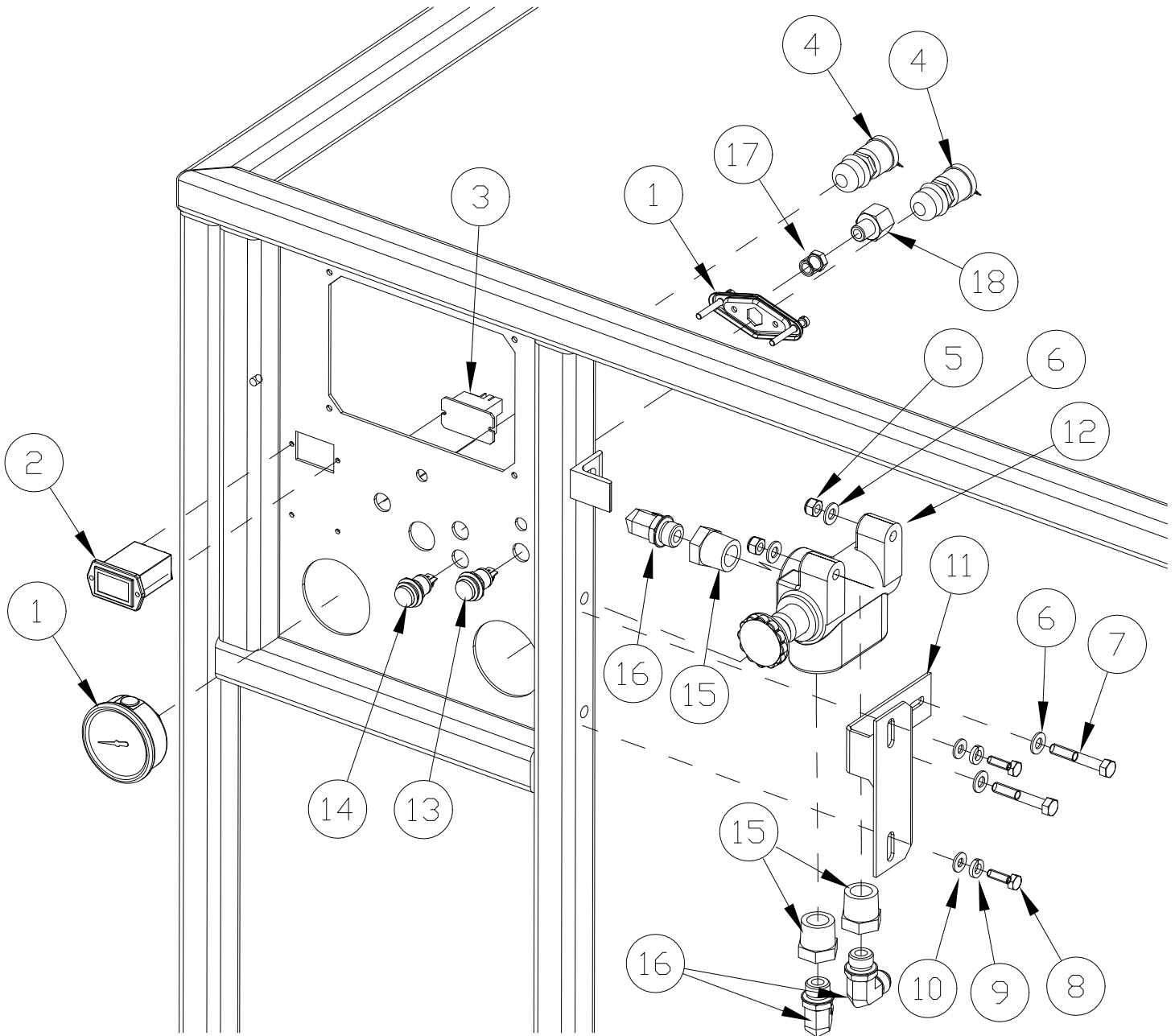
TANK ACCESS PORT AND CLEAN WATER FILL PORT			
ITEM	PART NO.	QTY	DESCRIPTION
1	3320447	1	ASSEMBLY, TANK FLOAT SUB
2	3305871	4	KNOB, CLAMPING BLACK PHENOLIC
3	3400088	4	WASHER-FLAT 5/16 IDx.688 ODx.065 THK
4	3304580	1	ASSY-FILL DOOR HI-CAP PNTD
5	3300526	4	BUMPER-RUBBER 1/4 ID X 1/8 THK
6	3400052	2	SCR-HSS 5/16 DIA X 0.25 BLK O
7	3304592	1	GASKET-TANK WATER INLET
8	711504	4	WSR-FLAT 1/4 ID SS
9	3400324	2	NUT-HEX 1/4-20-SS-ES
10	3339879	2	SCREW-HEX 1/4-20 X 1 SS
11	3304589	1	HINGE-DOOR HI CAP
12	3400199	4	SCREW 8-32 X 0.75 SS
13	3320726	1	CLAMP-HOLD DOWN 100 LBS
14	712667	2	NUT-NYLOC 1/4-20 SS
15	711372	4	NUT-NYLOC #8-32
16	3306424	12	CLIPNUT, 5/16-18 FULLBODY

**RECOVERY TANK FLOAT**



RECOVERY TANK FLOAT			
ITEM	PART NO.	QTY	DESCRIPTION
1	3320446	1	WELDMENT, TANK FLOAT
2	3301272	1	ASSEMBLY, GASKET, FLOAT
3	3320468	1	WELD, COVER TANK FLOAT
4	3400056	2	SCR, TRS, 5/16-18 X 1.00, SLT ZP
5	3301297	1	HANDLE, PLASTIC
6	3300452	1	BALL, PLASTIC
7	3300458	1	FLOAT, TANK
8	3400102	2	WASHER, LOCK 5/16 SPLIT ZP
9	3400070	2	NUT, HEX 5/16-18 ZP

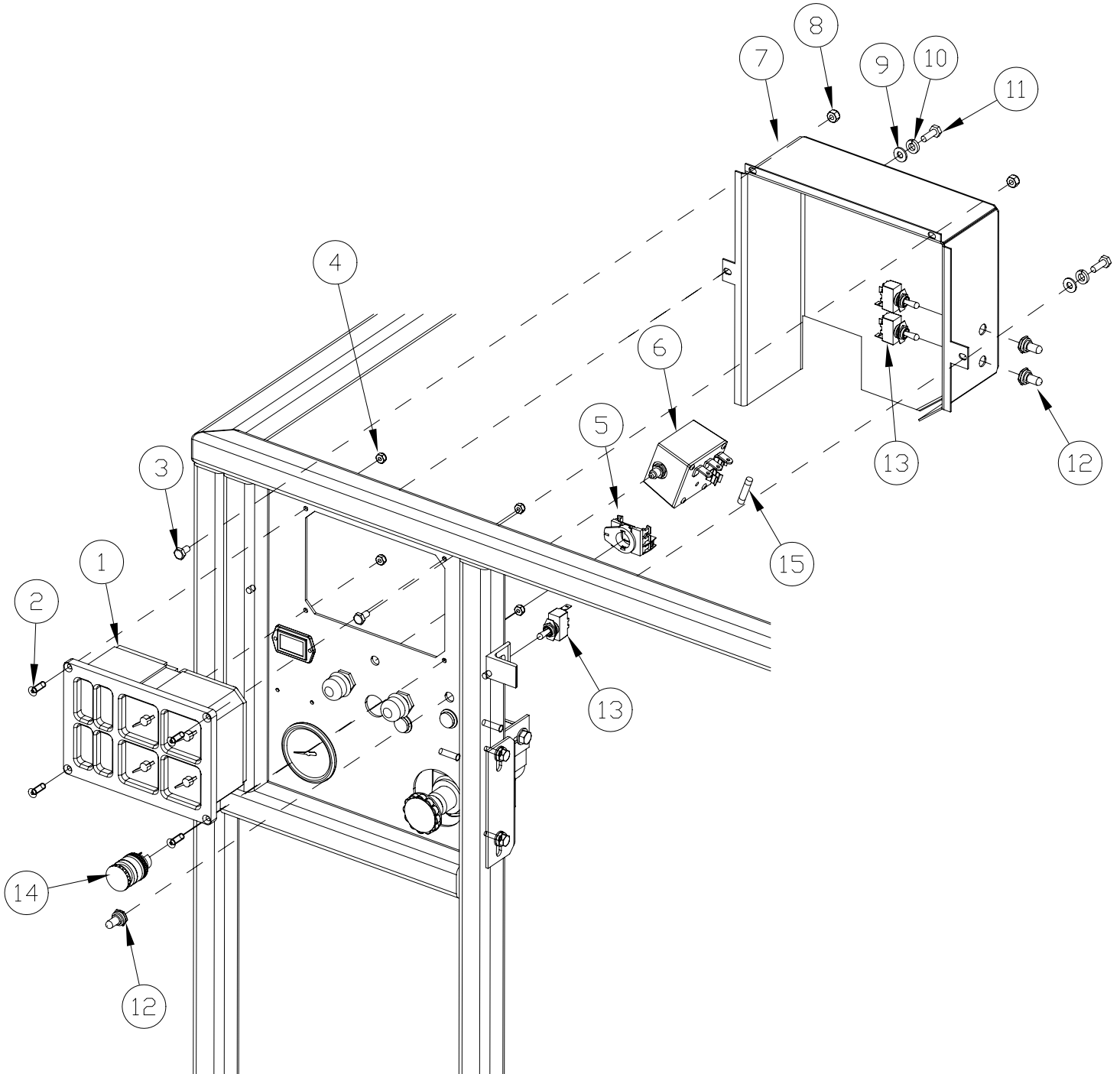
**CONTROL PANEL PART 1**





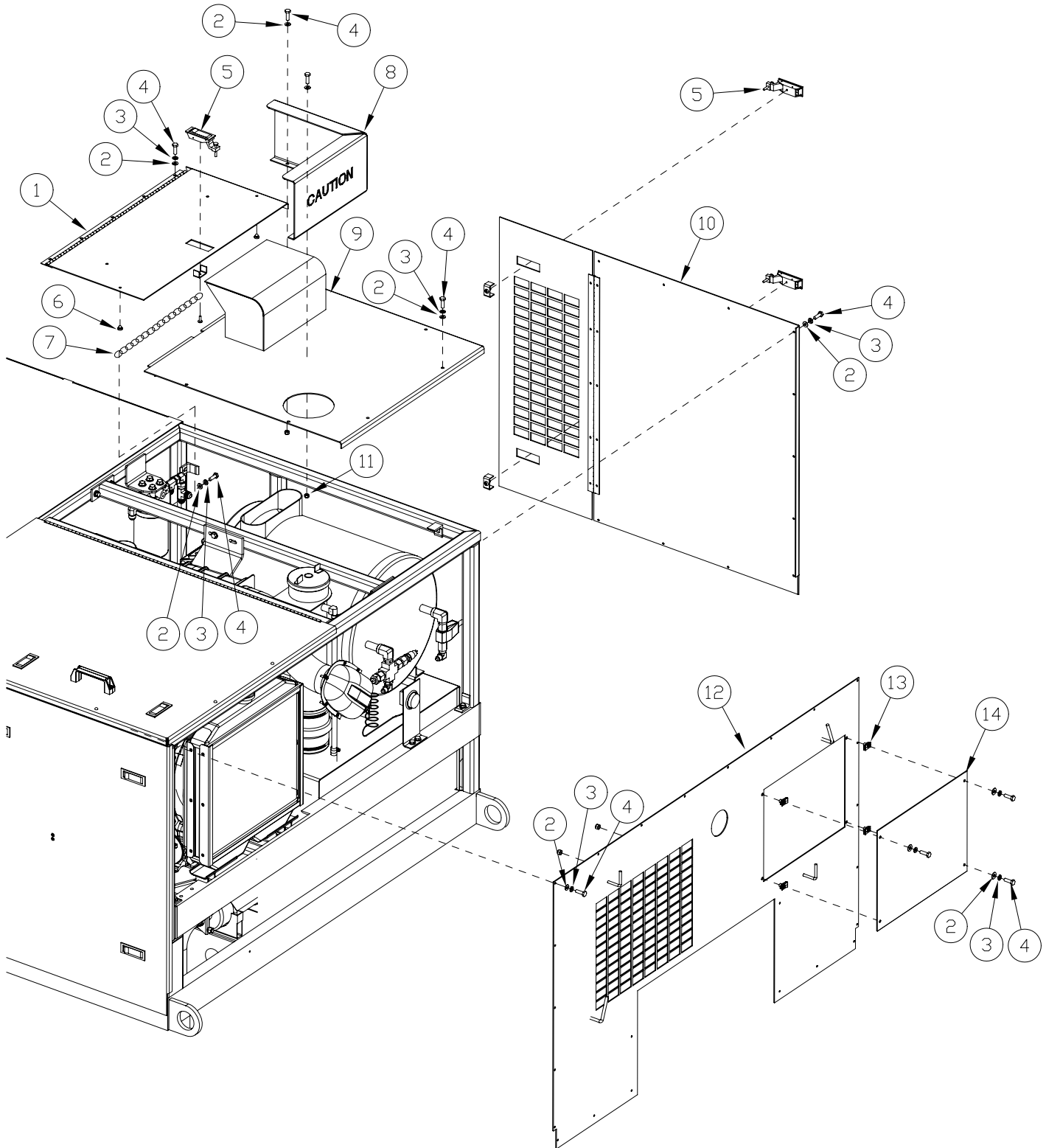
CONTROL PANEL PART 1			
ITEM	PART NO.	QTY	DESCRIPTION
1	3320546	1	GUAGE, PRESSURE
2	3315336	1	HOUR METER, HOBBS 85094-12
3	3318859	1	RELAY, 12 VDC SPDT
4	3300441	2	SWITCH,STARTER, MOMENTARY
5	712683	2	NUT-NYLOC 5/16-18 SS
6	3400088	2	WASHER-FLAT 5/16 IDx.688 ODx.065 THK
7	3400231	2	SCREW-HEX,5/16-18X2.0 ZP
8	3339879	2	SCREW-HEX 1/4-20 X 1 SS
9	3400321	2	WASHER-LOCK-1/4 SPLIT SS
10	3400491	2	WASHER-FLAT 1/4 SS
11	3331058	1	MOUNT-PULL SWITCH, QRE-3001A
12	3320719	1	VALVE-SELECTOR 2-WAY QRE-3001A
13	3336061	1	LIGHT-INDICATOR RED QRE-3001A.
14	3336062	1	LIGHT-INDICATOR GREEN QRE-3001A.
15	3309272	3	FTG, ADAPTOR 3/4 MPT X 1/2 FPT
16	3400722	3	FTG, 8-8CTX-S MALE EL PIPE>JIC
17	3308383	1	3308383-COUPILING-1/4NPT BRASS
18	3303302	1	FTG-REDUCER 3/8 FPT X ¼ MPT

**CONTROL PANEL PART 2**



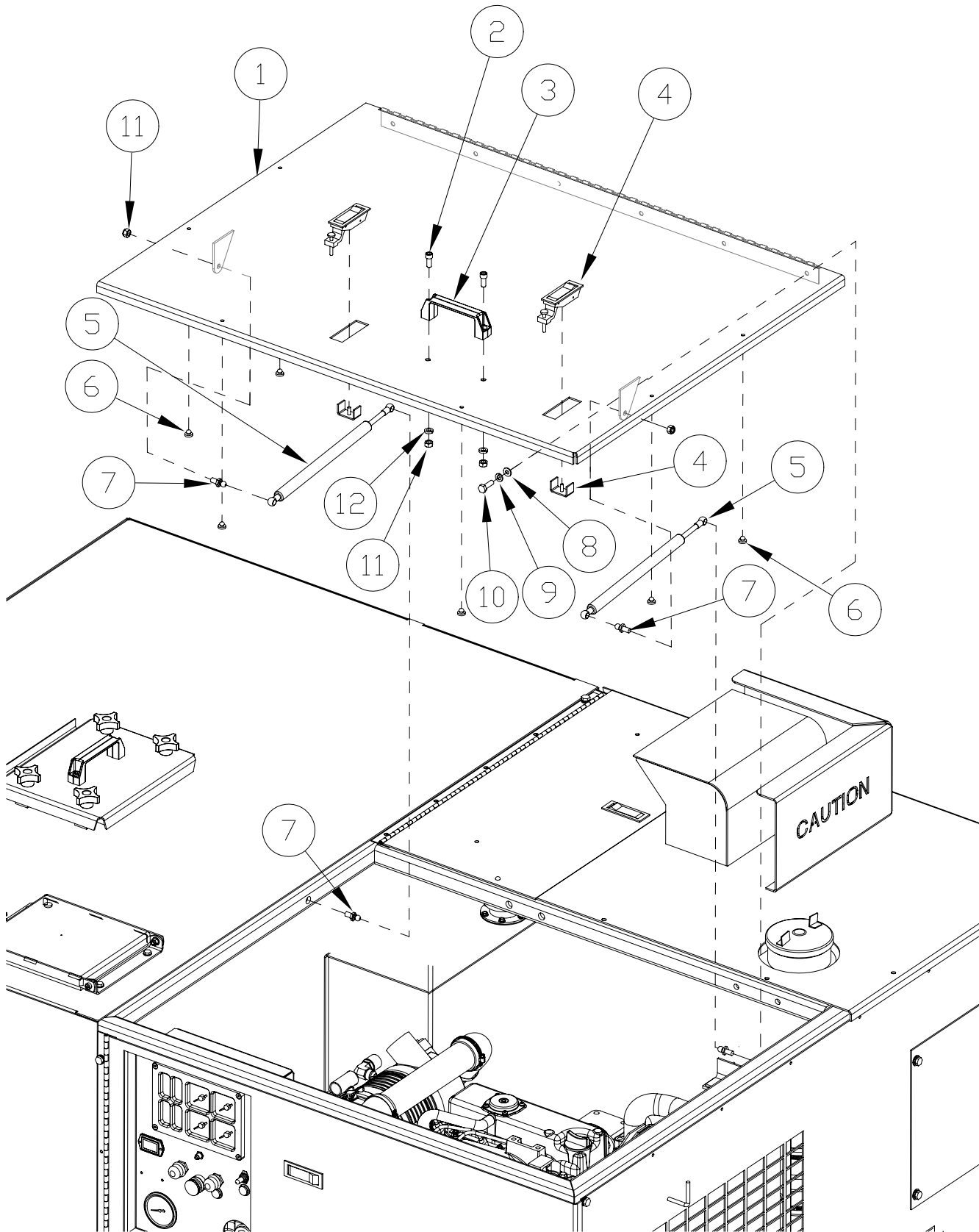
CONTROL PANEL PART 2			
ITEM	PART NO.	QTY	DESCRIPTION
1	3315914	1	PANEL, GAUGE, STEWART WARNER 4GC
2	3400724	4	SCREW, FHC #10-32 X .75 LG
3	3400199	2	SCREW, HEX 1/4-20 X .75 SS
4	3400172	4	NUT, HEX JAM #10-32 ES ZP
5	3317960	1	BLOCK, CONTACT NC
6	3320890	1	RELAY-MURPHY SWITCH.
7	3331059	1	PANEL-GAGE CVR REAR
8	712667	2	NUT-NYLOC 1/4-20 SS
9	3400491	2	WASHER-FLAT 1/4 SS
10	3400321	2	WASHER-LOCK-1/4 SPLIT SS
11	3400199	2	SCREW-HEX, 1/4-20X0.75 SS
12	3329813	3	BOOT-SWITCH TOGGLE 15/3232
13	3305950	3	SWITCH TOGGLE
14	3317816	1	SWITCH, SHUT-OFF, EMERGENCY
15	3300446	1	FUSE 15A, 12 V

**DOORS, COVERS, AND PANELS**



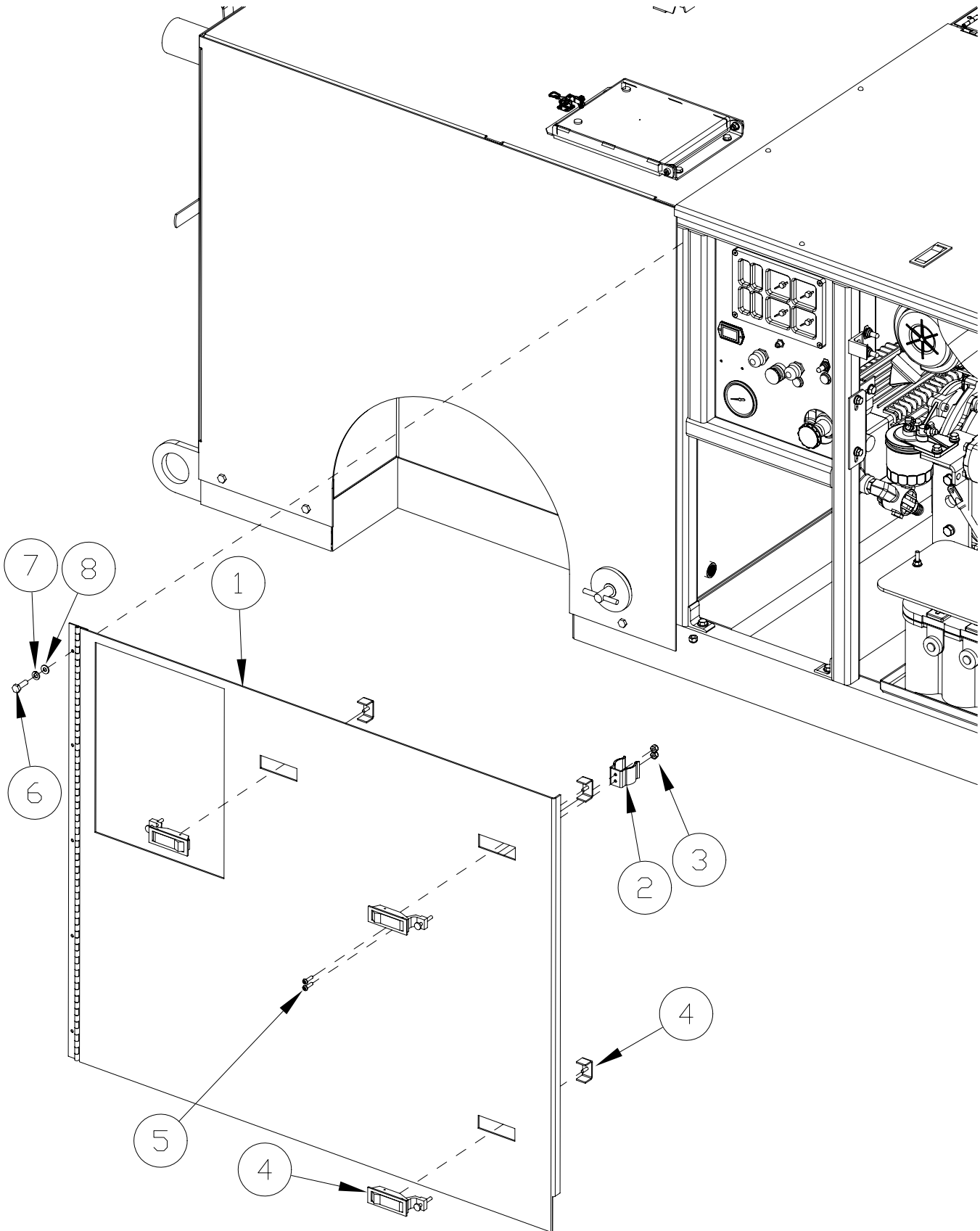
DOORS, COVERS, AND PANELS			
ITEM	PART NO.	QTY	DESCRIPTION
1	3333539	1	WELD-DOOR HYD RESERVOIR
2	3400491	53	WASHER-FLAT 1/4 SS
3	3400321	45	WASHER-LOCK-1/4 SPLIT SS
4	3339879	49	SCREW-HEX 1/4-20 X 1 SS
5	3300380	3	LATCH ASSY.
6	3300526	2	BUMPER-RUBBER 1/4 ID X 1/8 THK
7	3500635*	ORDER BY LENGTH*	CHAIN-#12 JACK CHAIN
8	3333542	1	SHIELD-EXHAUST
9	3333532	1	WELD-BURNER COVER
10	3320971	1	WELD-RT SIDE DOOR PNTD
11	712667	2	NUT-NYLOC 1/4-20 SS
12	3320968	1	WELD-FRONT PANEL
13	3306424	4	CLIPNUT-5/16-18 FULL BODY
14	3320770	1	PLATE- ACCESS COVER
*NOTE: When ordering this part use the length in feet as the quantity, i.e. 2 ft. = qty 2.			

**ENGINE COVER**



ENGINE COVER			
ITEM	PART NO.	QTY	DESCRIPTION
1	3333557	1	WELD-ENGINE COVER
2	3400047	2	SCREW-SOC, 5/16-18 X .75, ZP
3	3301297	1	HANDLE-PLASTIC
4	3300380	8	LATCH ASSY.
5	3307589	2	SPRING-GAS 8" STROKE, 19.7" EXT. (70LBF)
6	3300526	6	BUMPER-RUBBER 1/4 ID X 1/8 THK
7	3300376	4	STUD-BALL, GAS SPRING, 5/16-18 THRD, .391 DIA.
8	3400491	6	WASHER-FLAT 1/4 SS
9	3400321	6	WASHER-LOCK-1/4 SPLIT SS
10	3339879	6	SCREW-HEX 1/4-20 X 1 SS
11	712683	4	NUT-NYLOC 5/16-18 SS
12	3400102	9	WASHER-LOCK 5/16, ZP

**RIGHT SIDE DOOR**

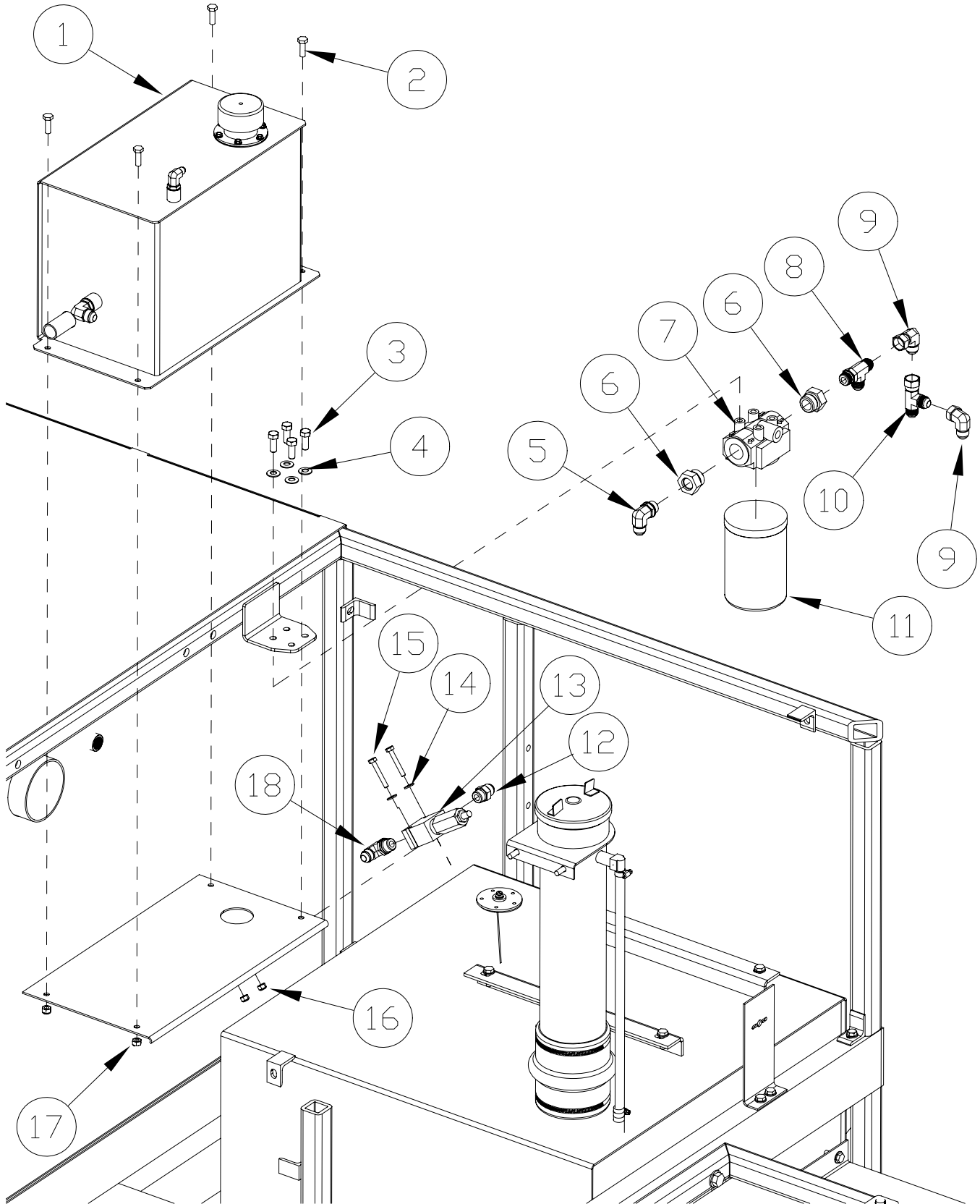




RIGHT SIDE DOOR			
ITEM	PART NO.	QTY	DESCRIPTION
1	3320970	1	WELD-RH SIDE DOOR
2	3315233	1	RETAINER-BLOWER HOSE
3	711372	2	NUT-NYLOC #8-32
4	3300380	3	LATCH ASSY.
5	3401514	2	SCREW-PAN HD #8-32 X .75 SS
6	3339879	5	SCREW-HEX 1/4-20 X 1 SS
7	3400491	5	WASHER-FLAT 1/4 SS
8	3400321	5	WASHER-LOCK-1/4 SPLIT SS

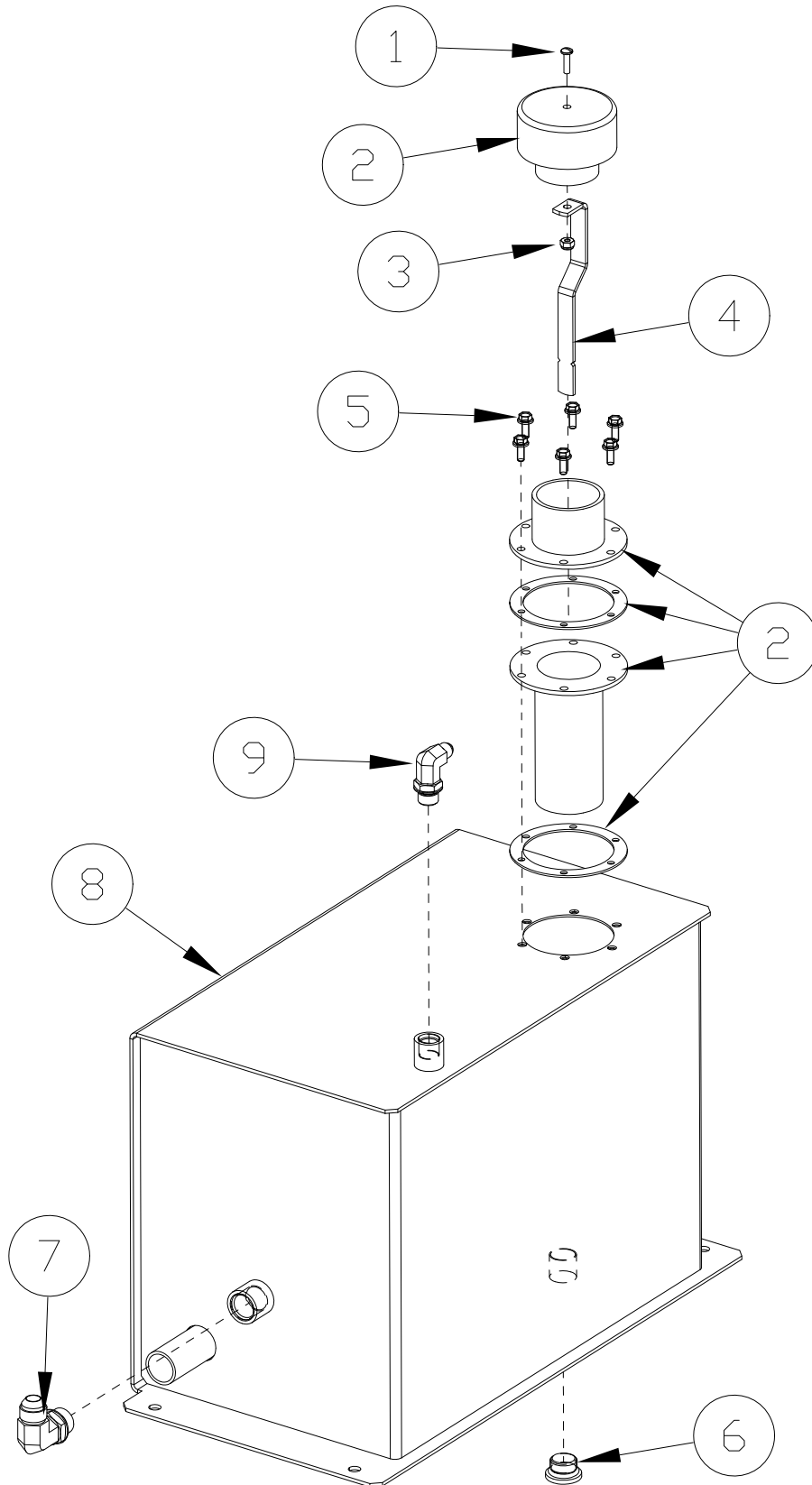
**HYDRAULIC RESERVOIR, FILTER, AND RELIEF VALVE MOUNTING AND FITTINGS**

SEE HYDRAULIC RESERVOIR  
FOR PARTS BREAKDOWN



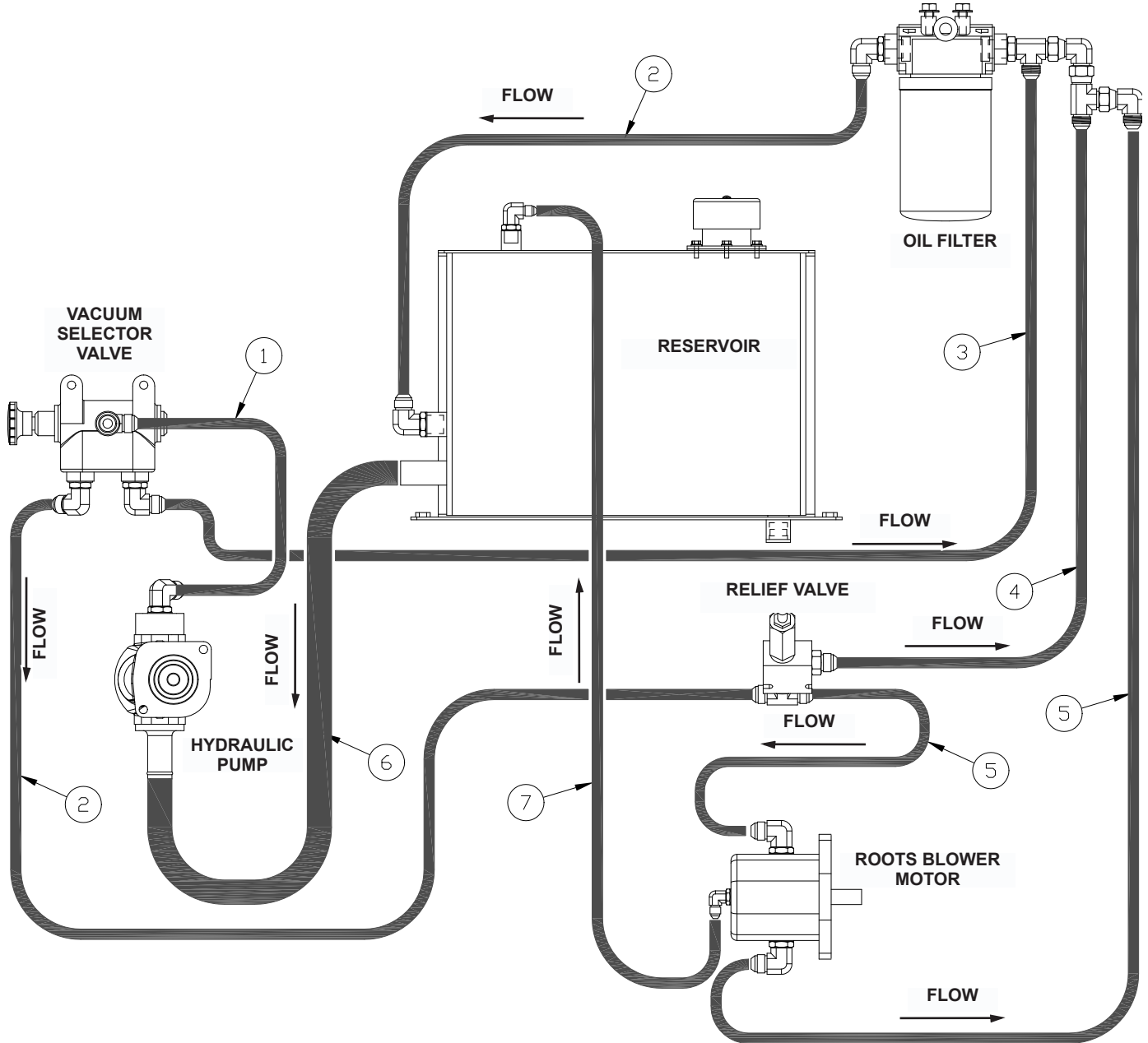
HYDRAULIC RESERVOIR, FILTER, AND RELIEF VALVE MOUNTING AND FITTINGS			
ITEM	PART NO.	QTY	DESCRIPTION
1	3332169	1	ASSY- RESERVOIR
2	3400318	4	SCREW, HEX,5/16-18 X 1.00 SS
3	3402010	4	SCREW, HEX 3/8-16 X 1.25 SS
4	3400336	4	WASHER, FLAT 3/8"-SS
5	3400154	1	FTG, 90 3/4-16 TO #8
6	3400167	2	FTG, ADAPTER 1 1/6-12 EXT TO
7	3300358	1	ASSY, FILTER, HYDRAULIC
8	3400163	1	FTG, TEE OFFSET 3/4-16 TO #8
9	3400244	1	FTG, SWIVEL 90 EL #8 JIC
10	3400250	1	FTG, TEE SWIVEL 1/2 TUBE
11	3300359	1	FILTER, HYD
12	3304899	1	FTG, ADAP 3/4-16 TO 1/2 OD TUBE
13	3339956	1	VALVE - RELIEF, 3000 PSI, 10 GPM
14	3400089	2	WASHER, FLAT 1/4 STANDARD ZP
15	3400173	2	SCREW, HEX 1/4-20 X 1.75 ZP
16	3400081	2	NUT, HEX 1/4-20 ES ZP
17	3400332	4	NUT, HEX 5/16-18 ES SS
18	3400161	1	FTG, TEE 3/4-16 TO #8

**HYDRAULIC RESERVOIR**



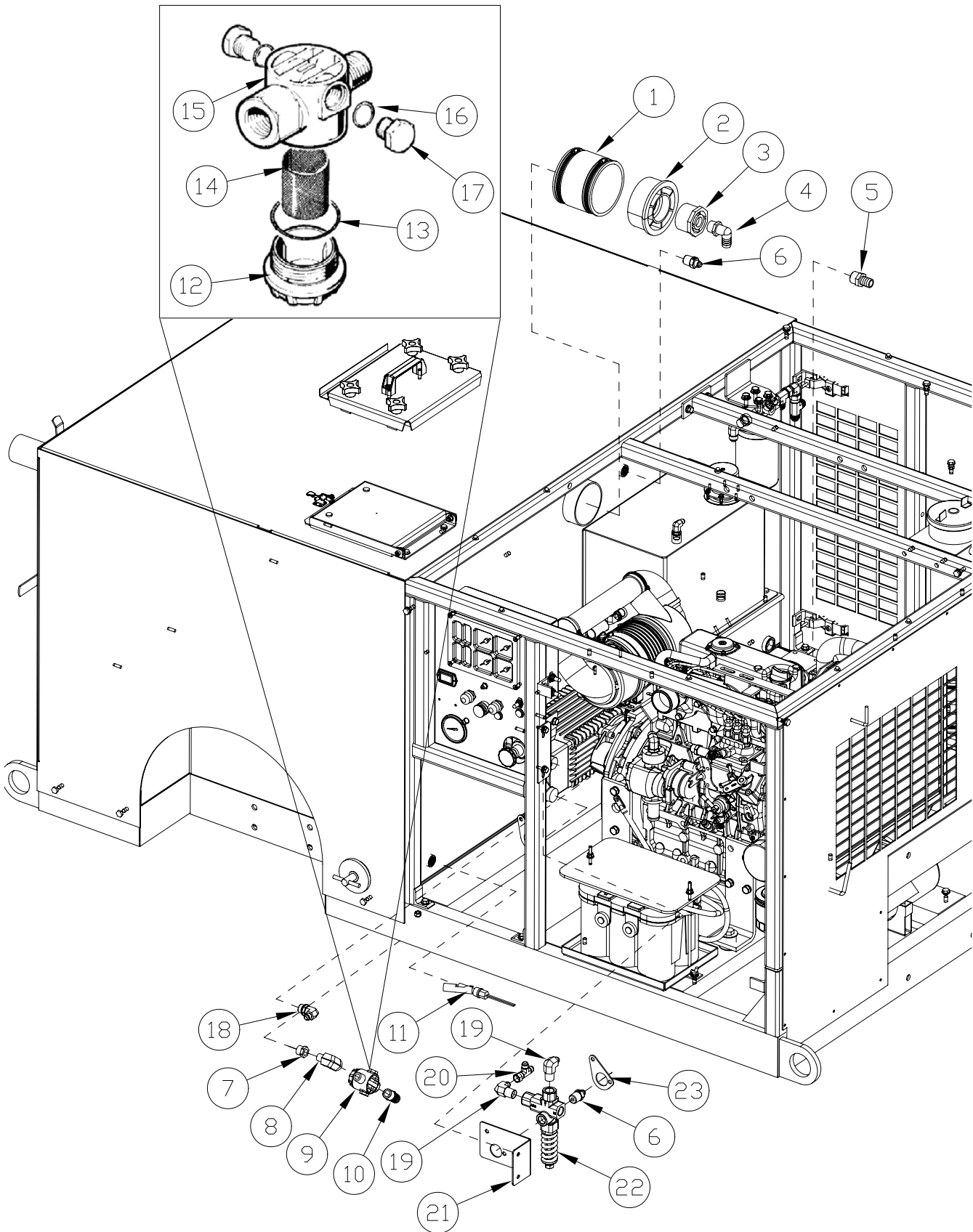
HYDRAULIC RESERVOIR			
ITEM	PART NO.	QTY	DESCRIPTION
1	3400045	1	SCREW, PAN 8-32 X .062
2	3305576	1	ASSY, FILTER/BREATHER FLOW EZY
3	711372	2	NUT-NYLOC #8-32
4	3312273	1	DIPSTICK-HYD SW/62 DSL
5	3400315	6	SCREW, HEX #10-32 X 0.50 ZP
6	3400164	1	FTG, PLUG 3/4-16 O RING
7	3400154	1	FTG, 90 3/4-16 TO #8
8	3320462	1	WELDMENT, RESERVOIR
9	3400470	1	FTG, 90' 9/16-18 TO #4 JIC

**HYDRAULIC HOSE ROUTING**



HYDRAULIC HOSE ROUTING			
ITEM	PART NO.	QTY	DESCRIPTION
1	3331723	1	HOSE, HYD 1/2" X 17" LG W/(2) #8 ST FEMALE FITTINGS
2	3331726	2	HOSE, HYD 1/2" X 40" LG W/(2) #8 ST FEMALE FITTINGS
3	3331727	1	HOSE, HYD 1/2" X 57" LG W/(2) #8 ST FEMALE FITTINGS
4	3331729	1	HOSE, HYD 1/2" X 20" LG W/(2) #8 ST FEMALE FITTINGS
5	3337310	2	HOSE, HYD 1/2" X 168" LG W #8 ST #8 90 FEMALE FIT
6	3331722	1	HOSE, HYD 1.0" X 62" LG W/ NO FITTINGS
7	3337312	1	HOSE, HYD 1/4" X 153" LG W/#4 ST #4 90 FEMALE FIT

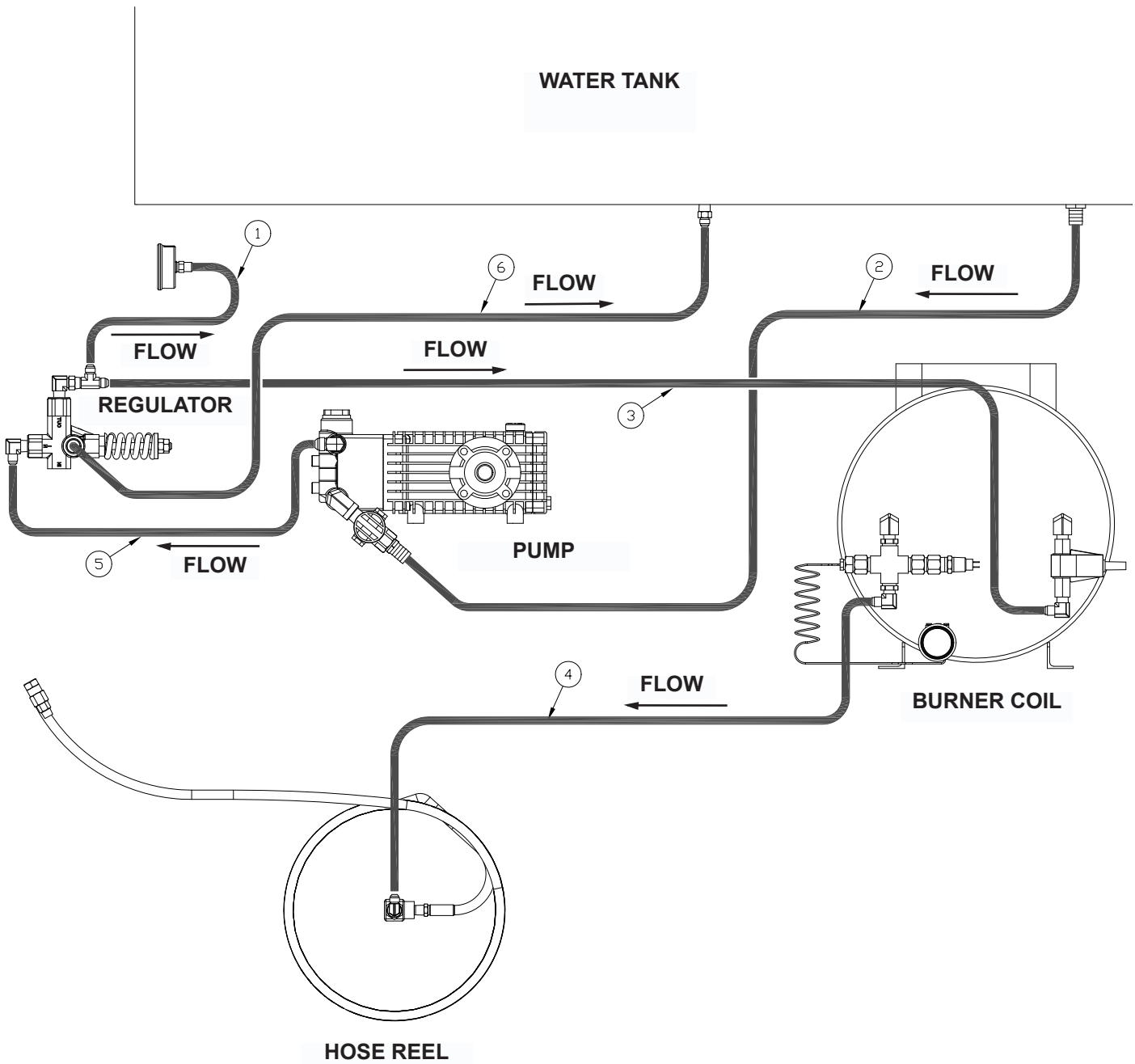
**REGULATOR, FILTER AND FITTINGS**





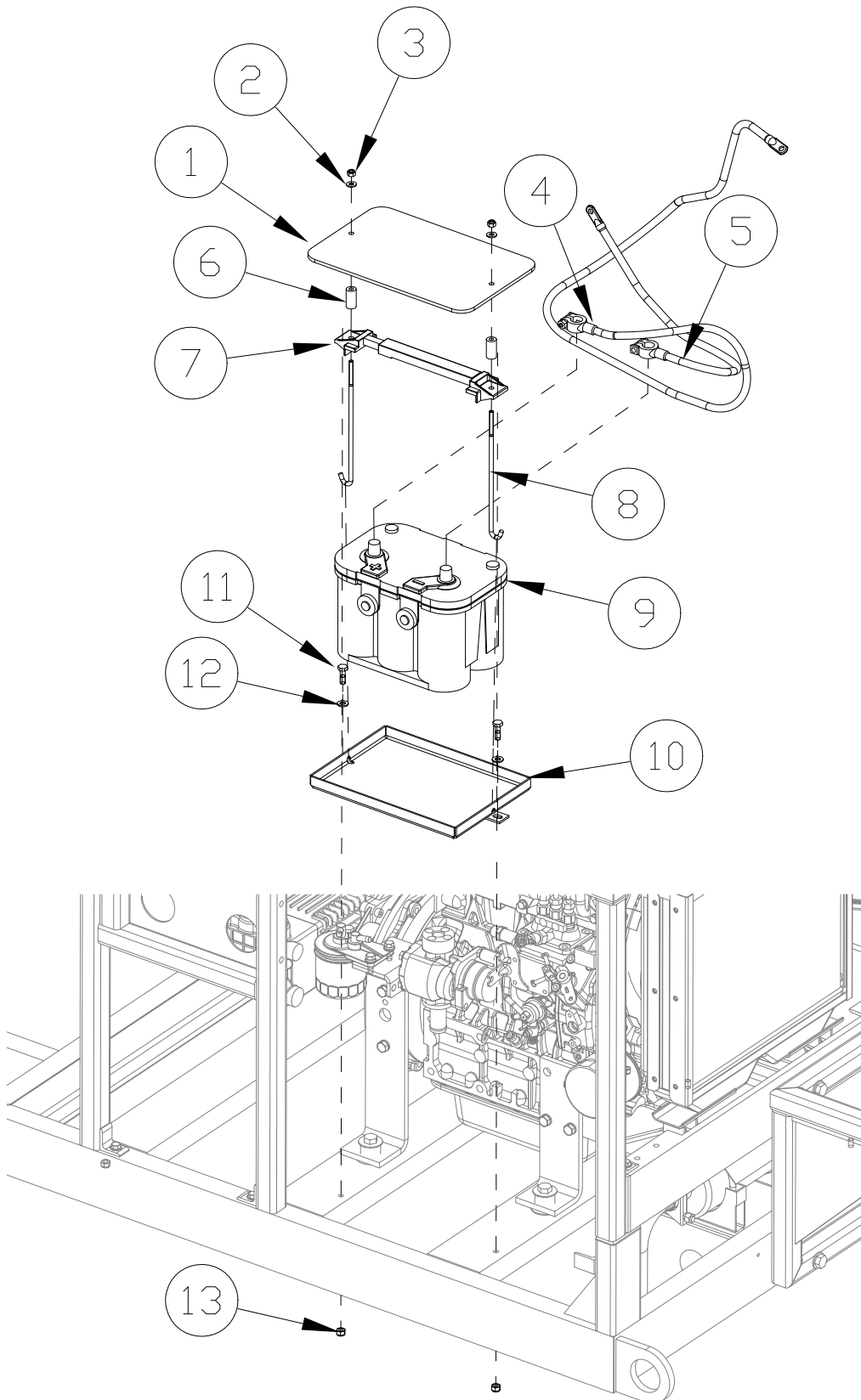
REGULATOR, FILTER AND FITTINGS			
ITEM	PART NO.	QTY	DESCRIPTION
1	3336984	1	PIPE COUPLING FLEXIBLE 4"
2	3336987	1	BUSHING - 4" X 2" REDUCING
3	3336988	1	BUSHING - HEX 2" X 3/4" REDUCING
4	3309051	1	FTG-ELL 90 3/4 MPT X 3/4 BARB
5	3400957	1	FTG-3/4-MPT X 3/4 BARB BRASS
6	3337257	2	FTG - STR #6 JIC37? X 1/2 MPT
7	3305283	1	FTG-REDUCER 1/2 MPT X 3/8 FPT
8	3339916	1	FTG - 90° 3/8 MPT - 1/2 FPT
9	3320912	1	FILTER-IN LINE
10	3320728	1	FTG-1/2 MPT - 3/4 HB
11	3302737	1	SWITCH-FLOAT LS7 POLYPROPYLENE
12	3338806	1	CAP
13	3338807	1	O-RING, 1.362 X .103
14	3338808	1	FILTER
15	3338809	1	BODY
16	3338810	2	O-RING, .426 X .070
17	3338811	2	PLUG
18	3341130	1	FTG-90 3/4-16 TO #6
19	3306223	2	FTG-90 ELL 1/2MPTx#6 JIC, STEEL
20	3400851	1	FTG-TEE SWIVEL RUN 6JIC
21	500072	1	MOUNTING PLATE 4000 PSI REGULATOR
22	3336960	1	REGULATOR - 4000 PSI POS. DIS. PUMP
23	500073	1	PLATE CLAMP 4000 PSI REGULATOR

**WATER HOSE ROUTING**



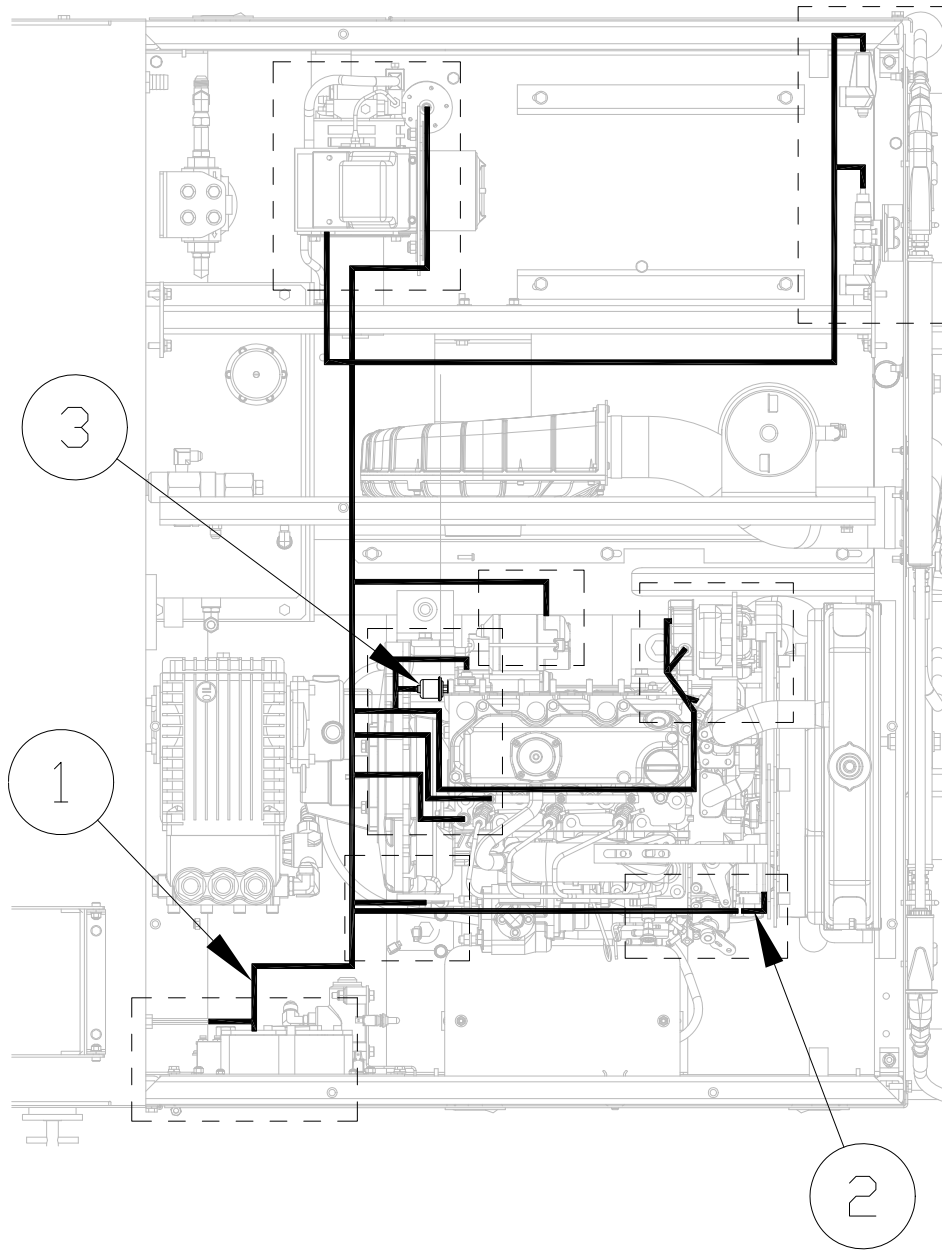
WATER HOSE ROUTING			
ITEM	PART NO.	QTY	DESCRIPTION
1	3339966	1	HOSE-3/8 X 9"L 4000 PSI ST#6 ST#6 JIC37
2	3500286*	ORDER BY LENGTH*	HOSE, SOL 5/8 ID X 7/8 OD X 1/8 (5 ft.) NO FITTINGS
3	3339904	1	HOSE-3/8 X 67"L 4000 PSI ST#6 ST#6 JIC37
4	3339903	1	HOSE-3/8 X 149"L 4000PSI ST#6 ST#6 JIC37
5	3339905	1	HOSE-3/8 X 14"L 4000 PSI ST#6 ST#6 JIC37
6	3339902	5	HOSE-3/8 X 63"L 4000 PSI ST#6 ST#6 JIC37
*NOTE: When ordering this part use the length in feet as the quantity, i.e. 2 ft. = qty 2.			

**BATTERY**



BATTERY			
ITEM	PART NO.	QTY	DESCRIPTION
1	3339890	1	PLEXI GLASS BATTERY COVER
2	3400089	2	WASHER 1/4 ID .63 OD X .065 THK
3	3400081	2	NUT-HEX 1/4-20 ES ZP
4	3301384	1	CABLE-BATTERY POSITIVE
5	3317662	1	CABLE-BATTERY NEGATIVE
6	3333049	2	MOTOR SANDOFF-3/8
7	3301076	1	HOLD DOWN-BATTERY
8	3301079	2	ROD-BATTERY TIE DOWN
9	3339887	1	BATTERY OPTIMA
10	3322117	1	WELDMENT-BATT BOX
11	3400318	2	SCR, HEX 5/16-18 X 1.00 SS
12	3400331	2	WASHER, FLAT 5/16 SS
13	3400332	6	NUT, HEX 5/16-18 ES SS

**WIRING HARNESS, AND OIL PRESSURE SENSOR**



WIRING HARNESS, AND OIL PRESSURE SENSOR			
ITEM	PART NO.	QTY	DESCRIPTION
1	3336966	1	MAIN - WIRING HARNESS
2	3401596	1	ALTERNATOR CONN W/ DIODE
3	3300387	1	OIL PRESSURE SENDER

**WARRANTY**

Revision G  
Effective September 2010  
PowerBoss Made Simple Industrial Limited Warranty

Minuteman International owner of PowerBoss warrants to the original purchaser/user that the product is free from defects in workmanship and materials under normal use. PowerBoss will, at its option, repair or replace without charge, parts that fail under normal use and service when operated and maintained in accordance with the applicable operation and instruction manuals. All warranty claims must be submitted through and approved by factory authorized repair stations.

This warranty does not apply to normal wear, or to items whose life is dependent on their use and care. Parts not manufactured by PowerBoss are covered by and subject to the warranties and/or guarantees of their manufacturers. Please contact Minuteman International for procedures in warranty claims against these manufacturers.

**Special warning to purchaser** -- Use of replacement parts not manufactured by PowerBoss or its designated licensees, will void all warranties expressed or implied. A potential health hazard exists without original equipment replacement.

All warranted items become the sole property of Minuteman International or PowerBoss or its original manufacturer, whichever the case may be.

PowerBoss disclaims any implied warranty, including the warranty of merchantability and the warranty of fitness for a particular purpose. PowerBoss assumes no responsibility for any special, incidental or consequential damages.

This limited warranty is applicable only in the U.S.A. and Canada, and is extended only to the original user/purchaser of this product. Customers outside the U.S.A. and Canada should contact their local distributor for export warranty policies. PowerBoss is not responsible for costs or repairs performed by persons other than those specifically authorized by PowerBoss. This warranty does not apply to damage from transportation, alterations by unauthorized persons, misuse or abuse of the equipment, use of non-compatible chemicals, or damage to property, or loss of income due to malfunctions of the product. If a difficulty develops with this machine, you should contact the dealer from whom it was purchased.

This warranty gives you specific legal rights, and you may have other rights, which vary from state to state. Some states do not allow the exclusion or limitation of special, incidental or consequential damages, or limitations on how long an implied warranty lasts, so the above exclusions and limitations may not apply to you.

	Travel*	Labor	Parts	Engine	Extended Warranty	Costs
<b>Walk behinds</b>						
Battery sweepers	Ninety days	One year	One year	N/A	2 years Parts + Labor (or 2000 Hours)	2%
IC sweepers	Ninety days	One year	One year	Through manufacturer	2 years Parts + Labor (or 2000 Hours)	2%
Battery scrubbers	Ninety days	Two years	Three years	N/A	3 Years Parts + Labor (or 3000 Hours)	2%
<b>Riders</b>						
Battery scrubbers	Ninety days	Two years	Three years/2000 hrs	N/A	3 Years Parts + Labor (or 3000 Hours)	2%
IC sweeper/scrubbers	Ninety days	Six months	Two years/2000 hrs	Two years/3000 hrs**	2 years Parts + Labor (or 2000 Hours)	3%
IC sweepers	Ninety days	Six months	Four years/3000 hrs	Five years/3000 hrs**	4 Years Parts + 2 Years Labor (or 4000 Hours)	3%
<b>Exceptions</b>						
Apex series sweeper	Ninety days	One year	One year/1000 hrs	One year/1000 hrs**	2 years Parts + Labor (or 2000 Hours)	3%
6X sweeper	Ninety days	Six months	Two years/2000 hrs	Two years/2000 hours**	2 years Parts + Labor (or 2000 Hours)	3%
<b>Other Products</b>						
QRE-3001A	Ninety days	Six months	Two years/2000 hrs	Two years/3000 hours**	2 years Parts + Labor (or 2000 Hours)	3%

Tank Bladders Eight years/ no additional labor  
 Polyethylene plastic tanks Ten years/ no additional labor  
 Batteries 0-3 months full replacement, 4-12 prorated credit  
 Chargers One-year replacement  
 Replacement parts Ninety days

\*Two-hour cap

\*\*Through engine manufacturer. See section 3 of warranty manual for engine warranty exceptions

\*\*\* Based upon dealer's certification status

Extended Warranty MUST be signed up within 30 days of delivery to End User (Dealer has 1Year from Receiving Machine to Sign up extended Warranty)

Extended Warranty Cost is based on Invoice Price multiplied by the Percentage listed in the Extended Warranty Column

*All above labor and travel reimbursed at 65 or 75% of the published shop rate.*



***“The Power of Clean”***

**PowerBoss Is A Full Line Manufacturer Of Sweepers and Scrubbers For  
Industrial Facilities.**

PowerBoss, Inc 175 Anderson Street P.O. Box 1227- Aberdeen North Carolina 28315

Phone: 800-982-7141 - Fax: 1-800-277-7141 Local: 910-944-2105 Fax: 910-944-7409 e-mail: [techsupport@powerboss.com](mailto:techsupport@powerboss.com)

**A Member Of The Hako Group**