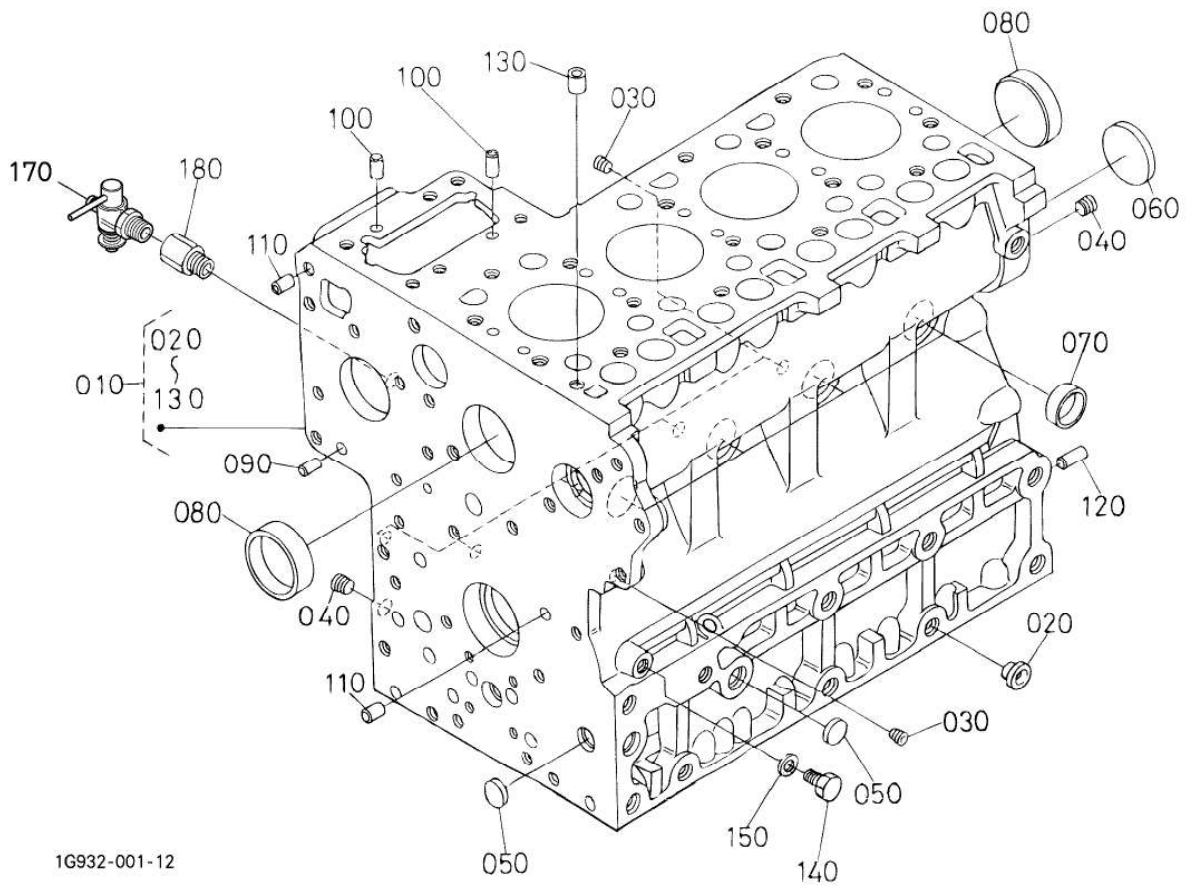


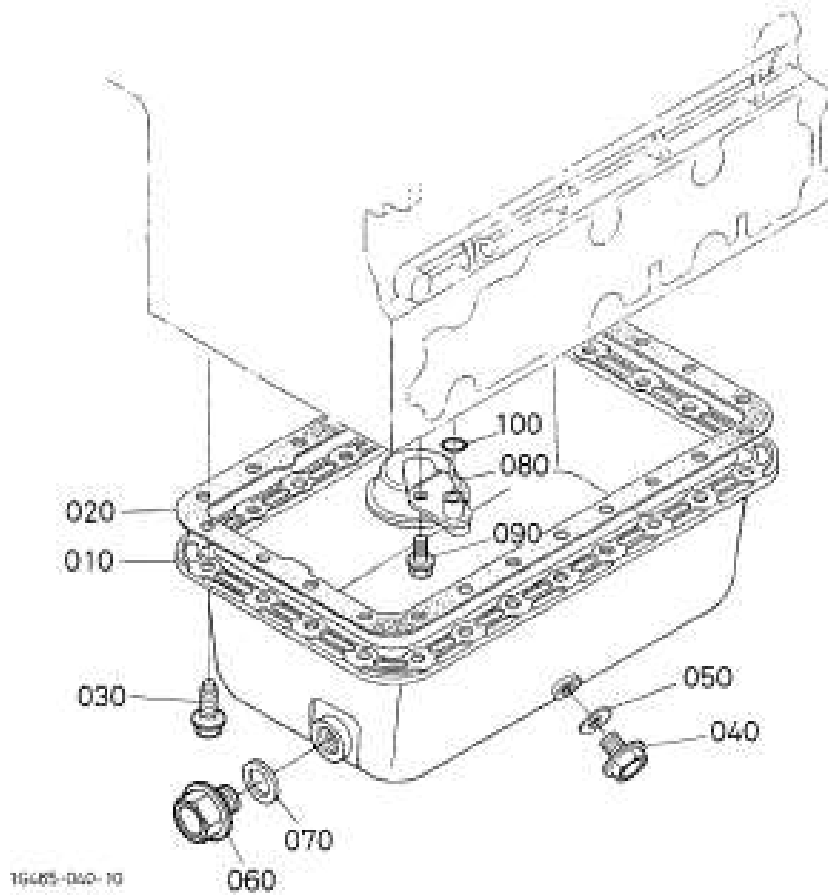
2203 KUBOTA ENGINE BLOCK ASSY



1G932-001-12

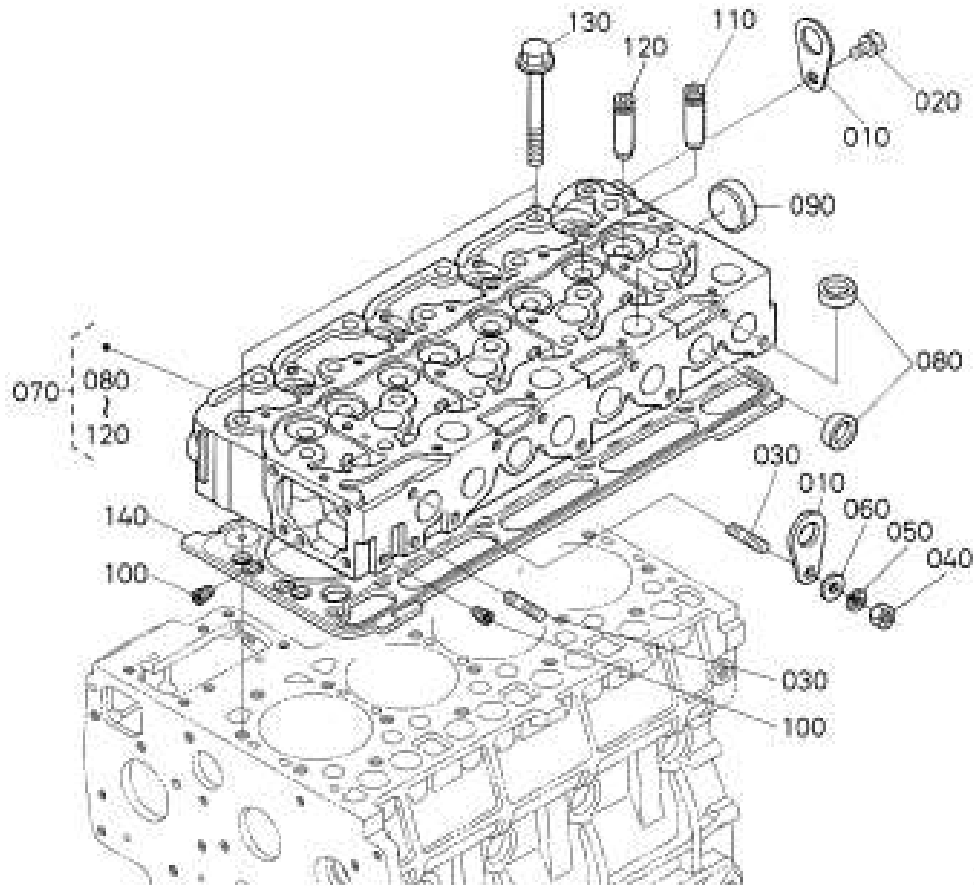
2203 KUBOTA ENGINE BLOCK ASSY			
ITEM	PART NO.	REQ'D	DESCRIPTION
010	3338322	1	COMP.CRANKCASE
020	3331581	2	PLUG-260
030	3331556	6	PLUG-20
040	3331557	2	PLUG-030
050	3331558	3	PLUG-040
060	3338323	1	PLUG,EXPANSION
070	3331560	6	CAP, SEALING -060
080	3331561	2	CAP, SEALING-070
090	3331562	2	PIN, STRAIGHT-080
100	3331563	3	PIN, STRAIGHT-090
110	3331564	2	PIN, STRAIGHT-100
120	3331565	1	PIN, STRAIGHT-110
130	3331566	1	PIN, PIPE-120
140	3338324	1	PLUG
150	3331569	1	GASKET-150
160	BLANK	-	NOT USED
170	3331567	1	COCK, DRAIN-130
180	3331579	1	JOINT, DRAIN COCK-240
BOXES WITH --XXX-- ARE NOT AVAILABLE SEPARATELY & BLANKS ARE NOT USED IN VIEWS			

2203 KUBOTA ENGINE OIL PAN



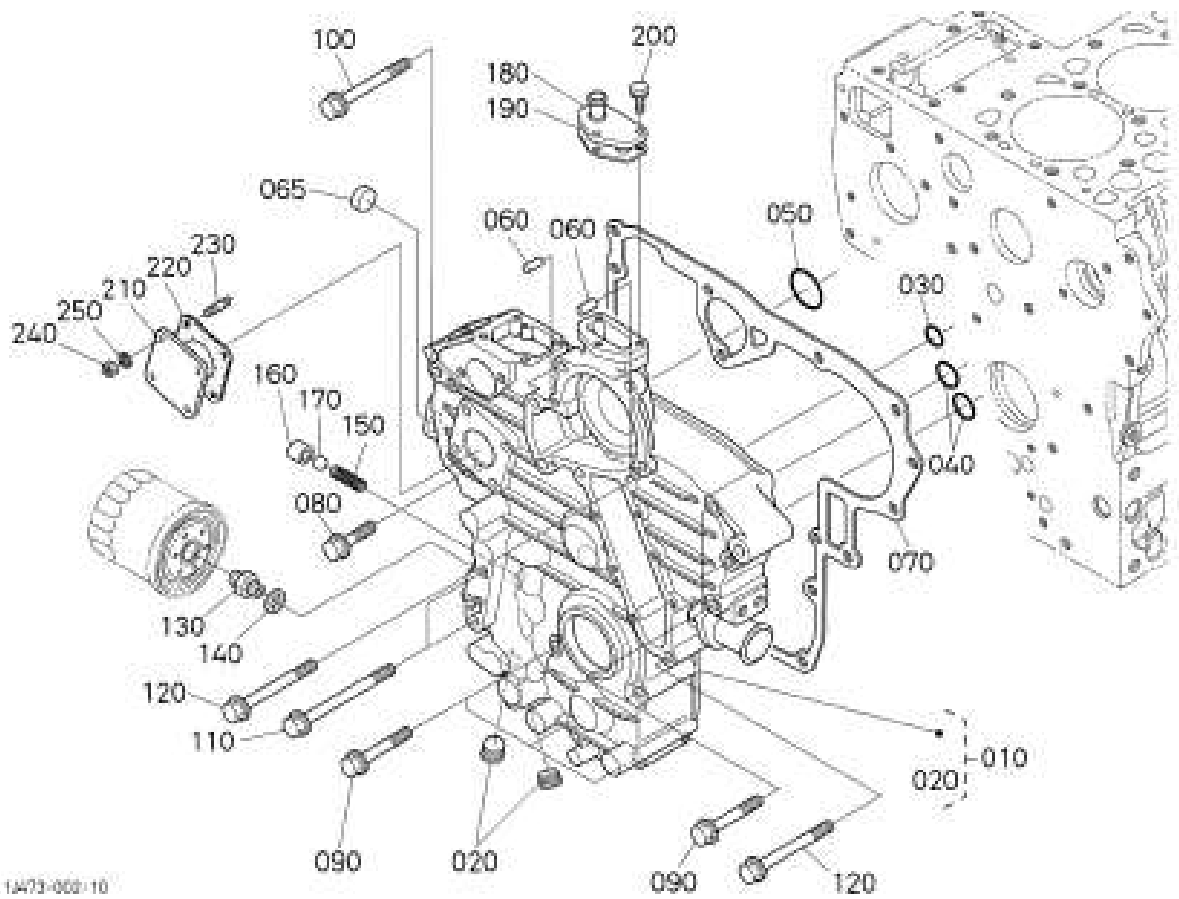
2203 KUBOTA ENGINE OIL PAN			
ITEM	PART NO.	REQ'D	DESCRIPTION
010	3303922	1	PAN-OIL KUBOTA (SP)
020	3338325	1	GASKET-OIL PAN
030	3338326	24	BOLT-FLANGE
040	3338327	1	PLUG-DRAIN
050	3338328	1	GASKET-OIL PAN
060	3331591	1	PLUG, DRAIN-090
070	3305252	1	WASHER-KUBOTA OIL DRAIN FTG
080	3331588	1	FILTER, OIL-060
090	3338329	1	BOLT-FLANGE
100	3338330	1	O-RING
BOXES WITH --XXX-- ARE NOT AVAILABLE SEPARATELY & BLANKS ARE NOT USED IN VIEWS			

2203 KUBOTA ENGINE CYLINDER HEAD



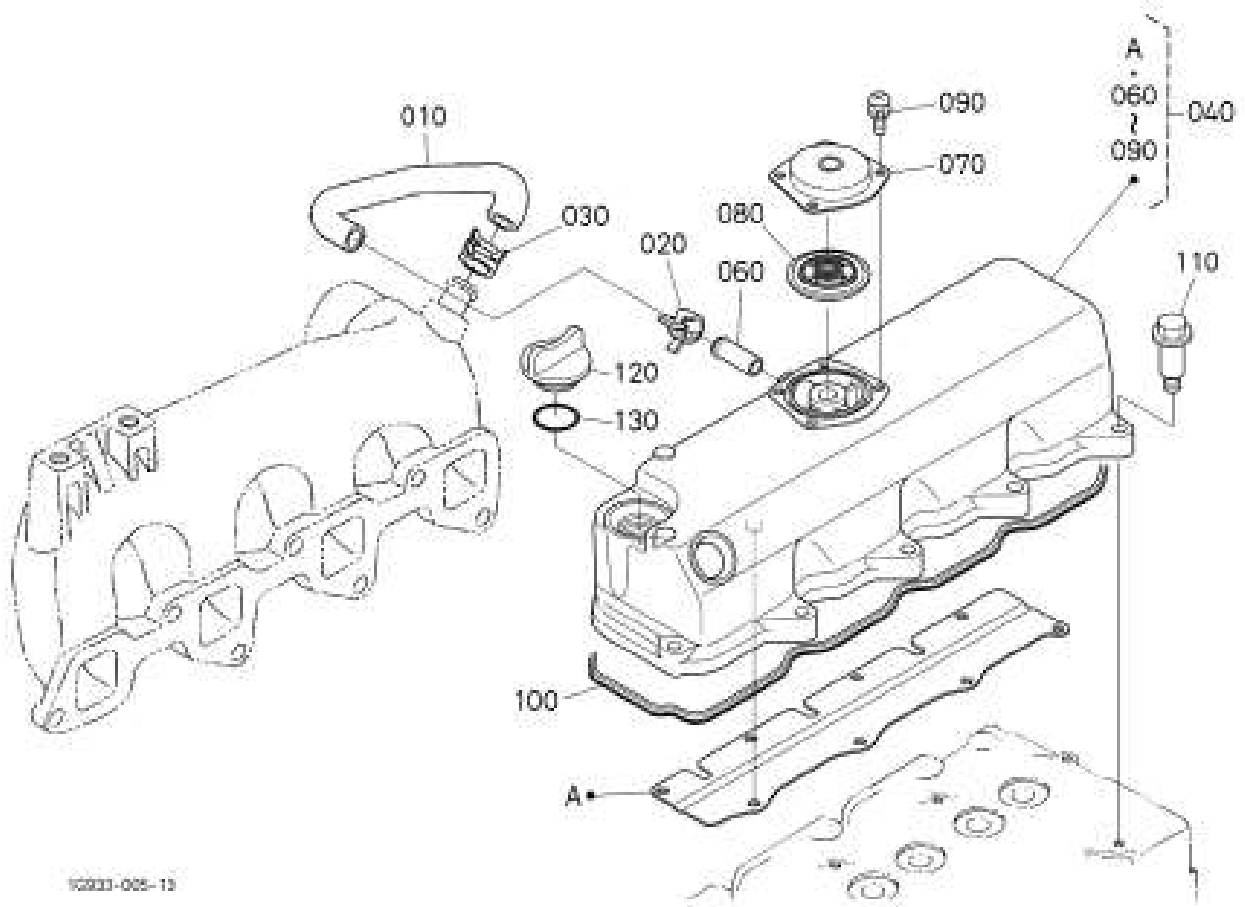
2203 KUBOTA ENGINE CYLINDER HEAD			
ITEM	PART NO.	REQ'D	DESCRIPTION
010	3331593	2	HOOK, ENGINE -010
020	3331595	1	BOLT-030
030	3331596	2	STUD-040
040	3331597	1	NUT-050
050	3338331	1	WASHER-SPRING
060	3331599	1	WASHER, PLAIN -070
070	3334291	1	CYL HEAD COMPLETE KBA 2203 EMIS COMP
080	3331603	12	CAP, SEALING-090
090	3331604	1	CAP, SEALING-100
100	3331605	2	PLUG-110
110	3331606	4	GUIDE, INLET VALVE -120
120	3338332	4	GUIDE-VALVE EXHAUST
130	3331608	18	BOLT, CYLINDER HEAD -140
140	3338333	1	GASKET-CYLINDER HEAD (1.15 MM)
140	3334292	1	GASKET-CYL HEAD KBA 2203 EMIS COMP (1.20 MM)
BOXES WITH --XXX-- ARE NOT AVAILABLE SEPARATELY & BLANKS ARE NOT USED IN VIEWS			

2203 KUBOTA ENGINE GEAR CASE



2203 KUBOTA ENGINE GEAR CASE			
ITEM	PART NO.	REQ'D	DESCRIPTION
010	3334299	1	GEAR CASE COMPLETE KBA 2203 EMIS COMP
020	--XXX--	-	NOT SOLD SEPARATELY
030	3338334	1	O-RING
040	3338335	2	O-RING
050	3338336	1	O-RING
060	3331564	2	PIN, STRAIGHT-100
065	3334300	1	PLUG-WELCH KBA 2203 EMIS COMP
070	3334301	1	GASKET-TIMING GEAR CASE KBA 2203 EMIS
080	3338337	1	BOLT-FLANGE
090	3338338	7	BOLT-FLANGE
100	3338339	1	BOLT-FLANGE
110	3338340	2	BOLT-FLANGE
120	3338341	4	BOLT-FLANGE
130	--XXX--	-	NOT SOLD SEPARATELY
140	--XXX--	-	NOT SOLD SEPARATELY
150	3331546	1	BURNER- ELBOW
160	3331647	1	SEAT, VALVE-200
170	3331648	1	BALL-210
180	3331649	1	FLANGE, WATER RETURN-220
190	3338342	1	GASKET-RETURN FLANGE
200	3331652	3	BOLT-240
210	3331621	1	COVER-340
220	3338343	1	GASKET-HOUR METER
230	3331624	4	STUD-360
240	3331620	4	NUT-330
250	3331575	4	WASHER, SPRING -200
BOXES WITH --XXX-- ARE NOT AVAILABLE SEPARATELY & BLANKS ARE NOT USED IN VIEWS			

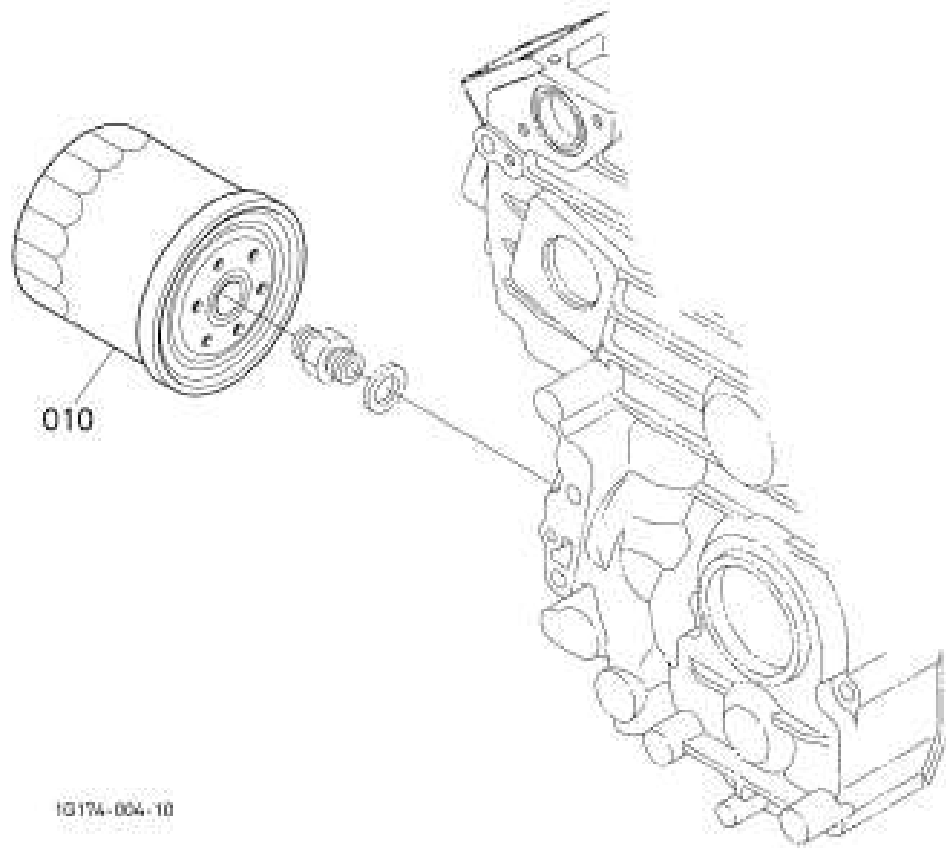
2203 KUBOTA ENGINE HEAD COVER



VC2203-005-13

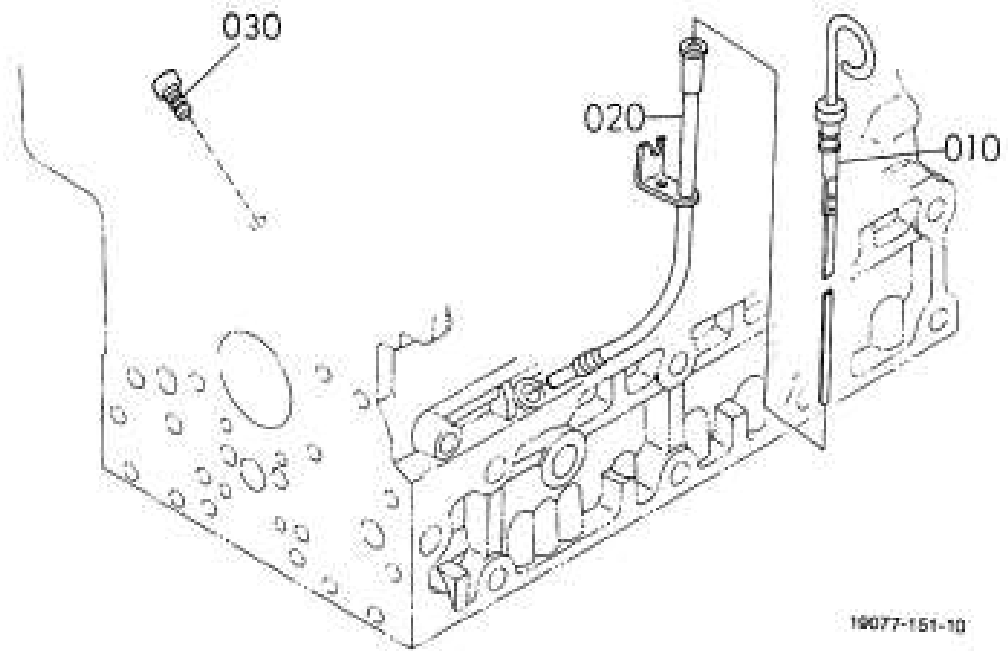
2203 KUBOTA ENGINE HEAD COVER			
ITEM	PART NO.	REQ'D	DESCRIPTION
010	3334282	1	TUBE-BREATHER KBA 2203 EMIS COMP
020	3334283	1	CLAMP-BREATHER TUBE KBA 2203 EMIS COMP
030	3334284	1	CLAMP-BREATHER TUBE KBA 2203 EMIS COMP
040	3334285	1	COVER-CYL HEAD KBA 2203 EMIS COMP
050	BLANK	-	NOT USED
060	3332027	1	PIPE WATER RETURN -020
070	3334287	1	COVER-BREATHER KBA 2203 EMIS COMP
080	3334288	1	BREATHER-VALVE COMPLETE KBA 2203 EMIS COMP
090	3338344	4	SCREW- WITH WASHER
100	3334289	1	GASKET-CYL HEAD COVER KBA 2203 EMIS COMP
110	3334290	10	BOLT-CYL HEAD COVER KBA 2203 EMIS COMP
120	PBK15852- 33140	1	PLUG-OIL HEAD COVER
130	3338345	1	O-RING
BOXES WITH --XXX-- ARE NOT AVAILABLE SEPARATELY & BLANKS ARE NOT USED IN VIEWS			

2203 KUBOTA ENGINE OIL FILTER



2203 KUBOTA ENGINE OIL FILTER			
ITEM	PART NO.	REQ'D	DESCRIPTION
010	3331667	1	CARTRIDGE, OIL FILTER -010
BOXES WITH --XXX-- ARE NOT AVAILABLE SEPARATELY & BLANKS ARE NOT USED IN VIEWS			

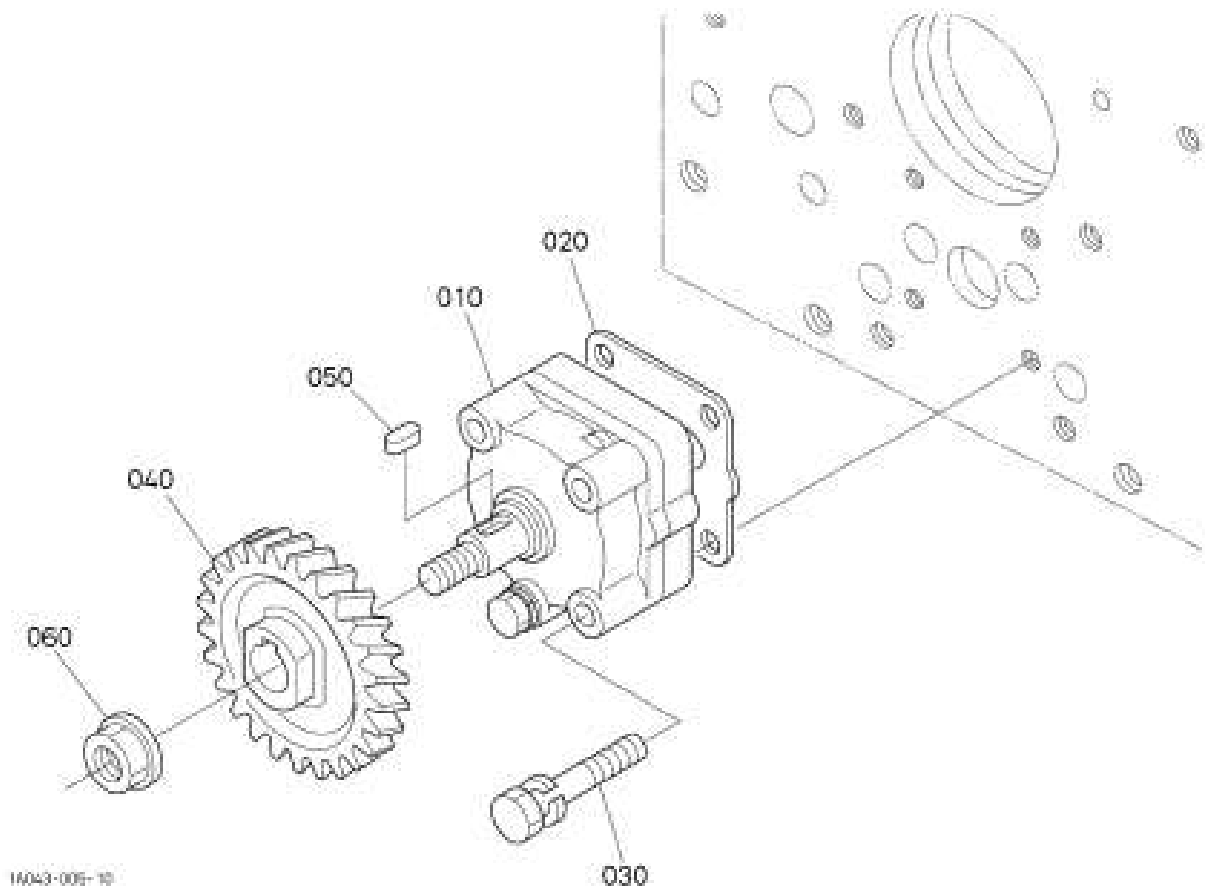
2203 KUBOTA ENGINE DIPSTICK AND GUIDE



19077-151-10

2203 KUBOTA ENGINE DIPSTICK AND GUIDE			
ITEM	PART NO.	REQ'D	DESCRIPTION
010	3338346	1	GAUGE-OIL
020	3329916	1	V2203-KUBOTA TUBE DIPSTICK(SP)
030	3336926	1	PLUG, OIL GAUGE KUBOTA
BOXES WITH --XXX-- ARE NOT AVAILABLE SEPARATELY & BLANKS ARE NOT USED IN VIEWS			

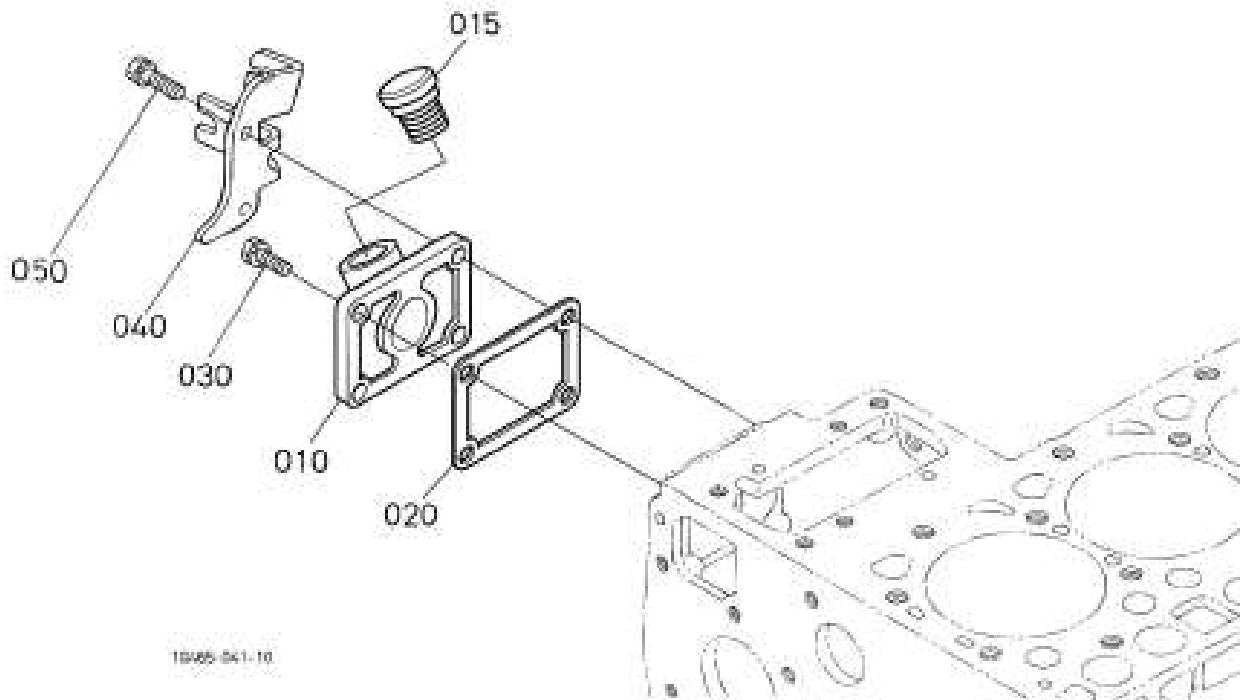
2203 KUBOTA ENGINE OIL PUMP



2203 KUBOTA ENGINE OIL PUMP			
ITEM	PART NO.	REQ'D	DESCRIPTION
010	3338347	1	ASSY-OIL PUMP
020	3338348	1	GASKET-OIL PUMP
030	3338349	4	BOLT
040	3331576	1	GEAR, OIL PUMP DRIVE-210
050	3331577	1	KEY, FEATHER-220
060	3331578	1	NUT, FLANGE-230

BOXES WITH --XXX-- ARE NOT AVAILABLE SEPARATELY & BLANKS ARE NOT USED IN VIEWS

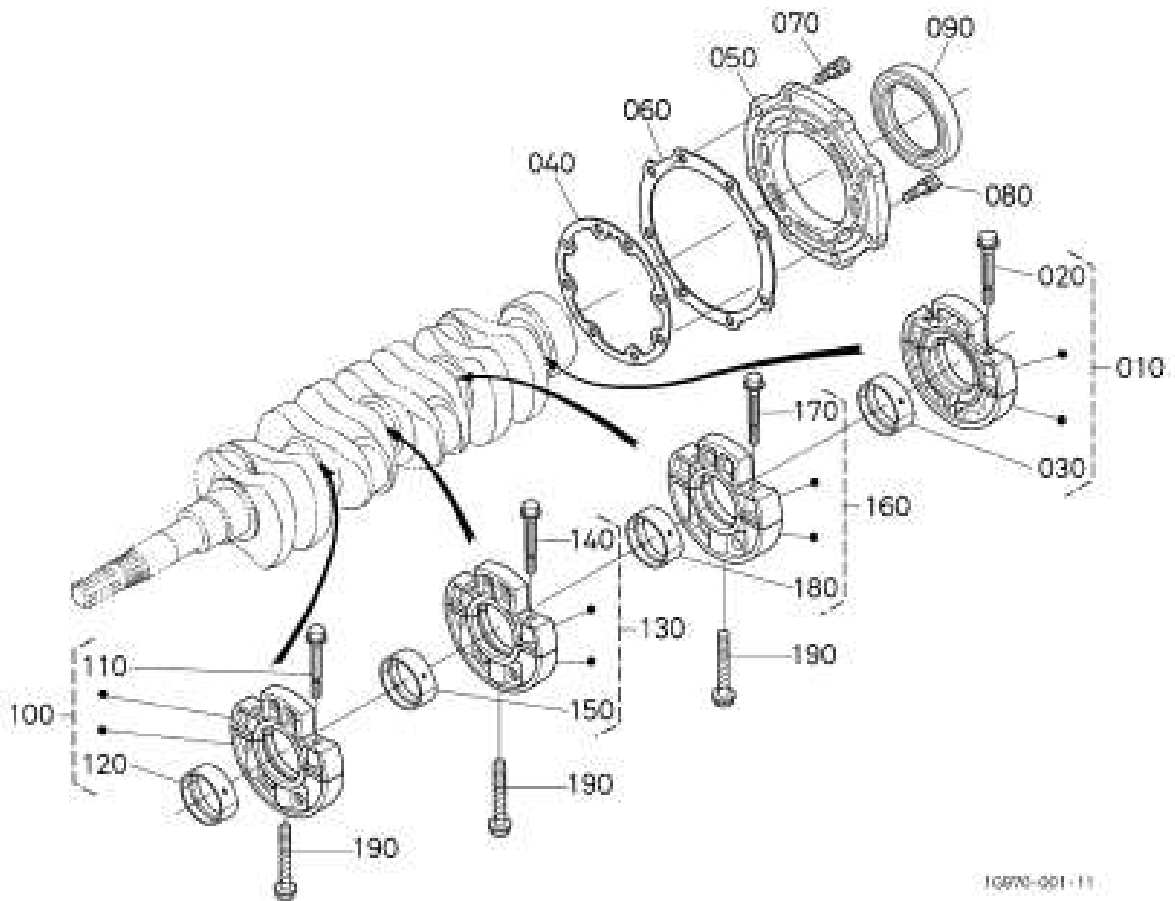
2203 KUBOTA ENGINE OIL FILLER FLANGE



2203 KUBOTA ENGINE OIL FILLER FLANGE			
ITEM	PART NO.	REQ'D	DESCRIPTION
010	--XXX--	-	NOT SOLD SEPARATELY
015	3338350	1	PLUG-OIL FILLER
020	3338351	1	GASKET-PUMP COVER
030	3331776	2	BOLT-150
040	3338352	1	BRACKET,ACCEL.CABLE
050	3338353	2	BOLT

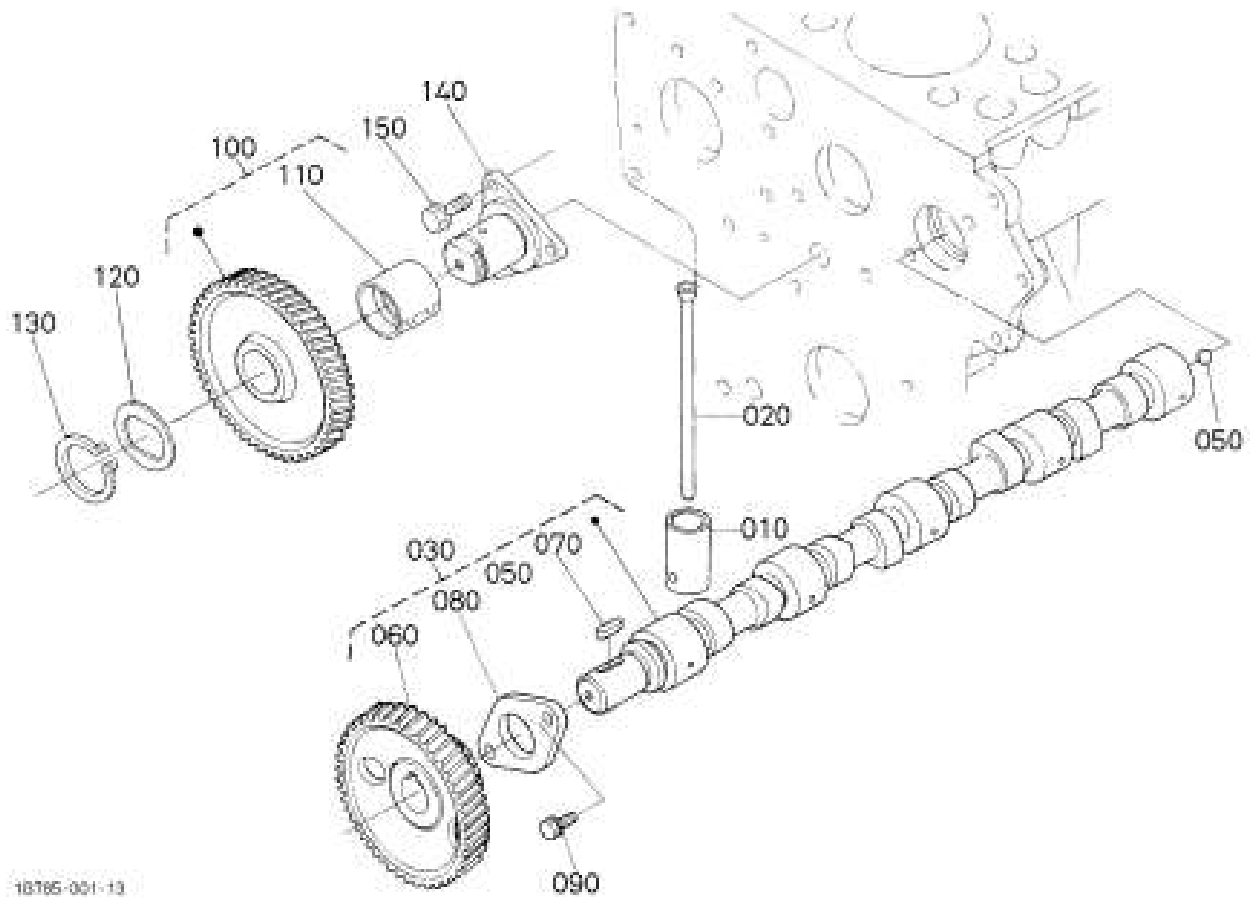
BOXES WITH --XXX-- ARE NOT AVAILABLE SEPARATELY & BLANKS ARE NOT USED IN VIEWS

2203 KUBOTA ENGINE MAIN BEARING CASE



2203 KUBOTA ENGINE MAIN BEARING CASE			
ITEM	PART NO.	REQ'D	DESCRIPTION
010	3338354	1	ASSY-BRG. CASE WHEEL
020	--XXX--	-	NOT SOLD SEPARATELY
030	--XXX--	-	NOT SOLD SEPARATELY
040	3338355	1	GASKET-BEARING CASE
050	3338356	1	COVER-BERING CASE
060	3338357	1	GASKET- CASE COVER
070	3331507	8	BOLT-060
080	3331508	8	BOLT-070
090	3338358	1	SEAL-OIL
100	3338359	1	ASSY-BRG. CASE MAIN
110	--XXX--	-	NOT SOLD SEPARATELY
120	--XXX--	-	NOT SOLD SEPARATELY
130	3338360	1	ASSY BRG.CASE,MAIN
140	--XXX--	-	NOT SOLD SEPARATELY
150	--XXX--	-	NOT SOLD SEPARATELY
160	3338361	1	ASSY BRG.CASE,MAIN
170	--XXX--	-	NOT SOLD SEPARATELY
180	--XXX--	-	NOT SOLD SEPARATELY
190	3331512	3	BOLT, BEARING CASE-110
BOXES WITH --XXX-- ARE NOT AVAILABLE SEPARATELY & BLANKS ARE NOT USED IN VIEWS			

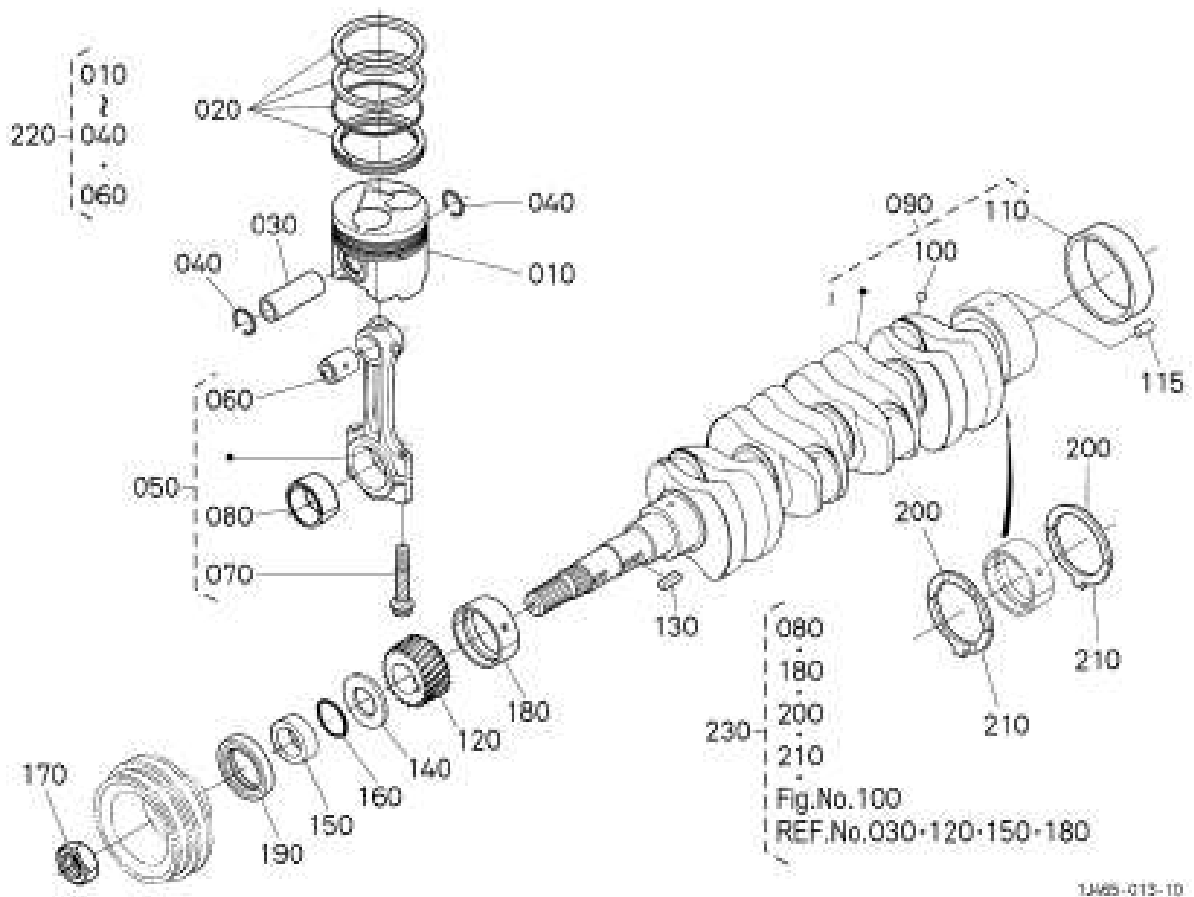
2203 KUBOTA ENGINE CAMSHAFT AND IDLE GEAR SHAFT



18785-001-13

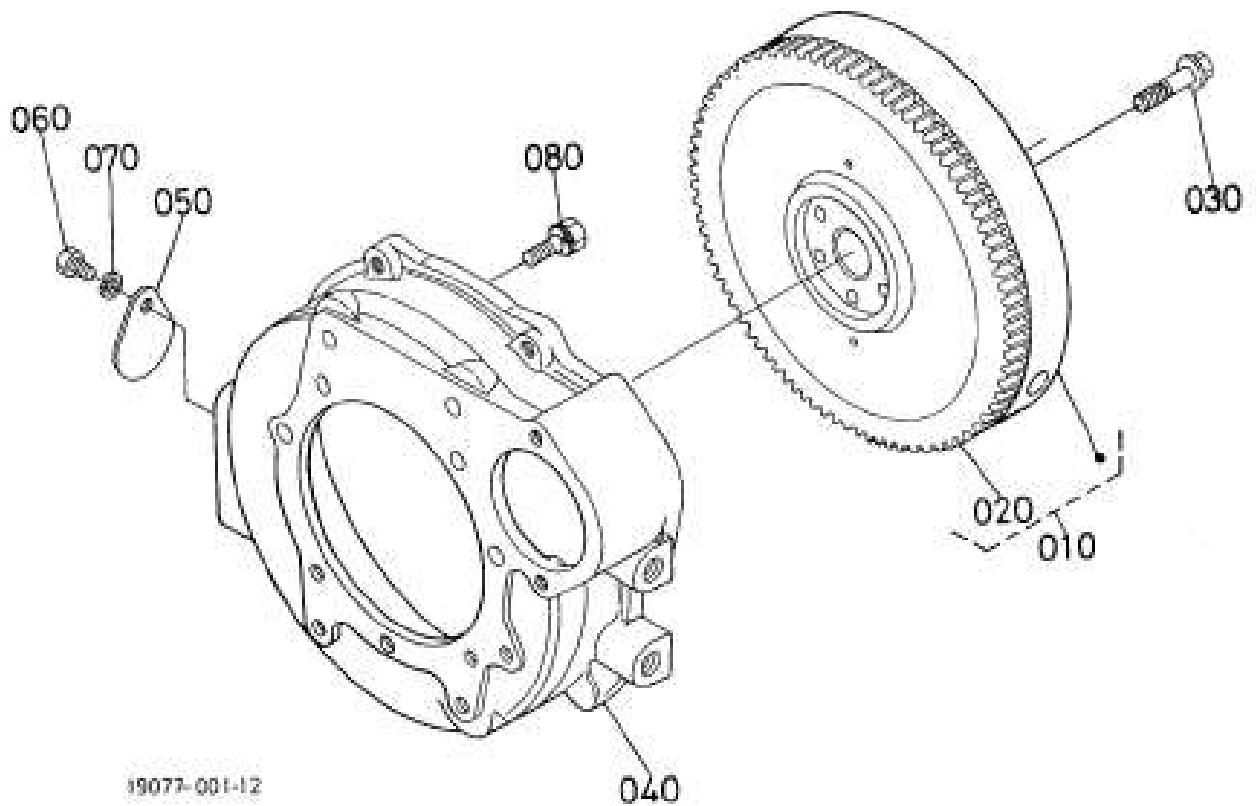
2203 KUBOTA ENGINE CAMSHAFT AND IDLE GEAR SHAFT			
ITEM	PART NO.	REQ'D	DESCRIPTION
010	3331513	8	TAPPET-010
020	3331514	8	PUSH ROD -020
030	3338362	1	ASSY-CAMSHAFT
040	BLANK	-	NOT USED
050	3331692	1	BALL-100
060	--XXX--	-	NOT SOLD SEPARATELY
070	3331519	1	KEY, FEATHER-070
080	3331670	1	STOPPER, CAMSHAFT-080
090	3331671	2	BOLT-090
100	3338363	1	COMP. GEAR IDLE
110	--XXX--	-	NOT SOLD SEPARATELY
120	--XXX--	-	NOT SOLD SEPARATELY
130	--XXX--	-	NOT SOLD SEPARATELY
140	--XXX--	-	NOT SOLD SEPARATELY
150	3331671	3	BOLT-090
BOXES WITH --XXX-- ARE NOT AVAILABLE SEPARATELY & BLANKS ARE NOT USED IN VIEWS			

2203 KUBOTA ENGINE PISTON AND CRANKSHAFT



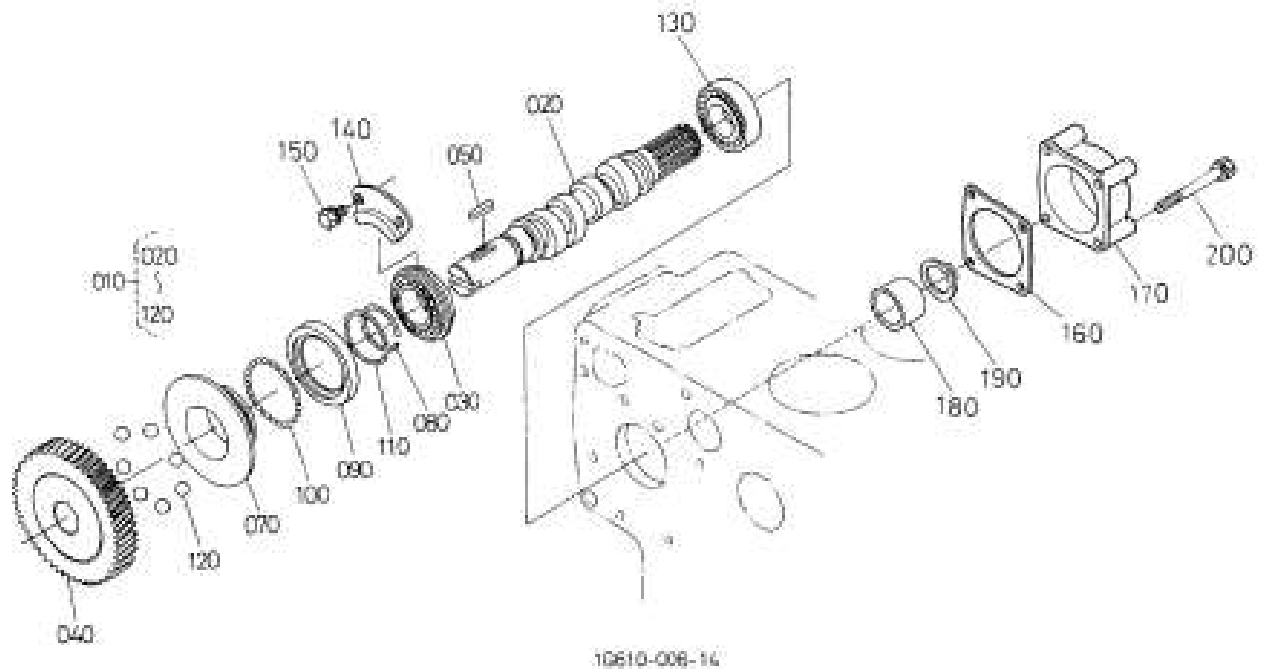
2203 KUBOTA ENGINE PISTON AND CRANKSHAFT			
ITEM	PART NO.	REQ'D	DESCRIPTION
010	--XXX--	-	NOT SOLD SEPARATELY
020	3338364	4	ASSY-PISTON RING (STD.)
020	3338365	4	ASSY-PISTON RING (+0.25 MM)
030	--XXX--	-	NOT SOLD SEPARATELY
040	--XXX--	-	NOT SOLD SEPARATELY
050	3331685	4	ASSY CONNECTING ROD-050
060	3331686	4	BUSH, PISTON PIN-060
070	3331687	8	BOLT, CONNECTING ROD-070
080	3331688	4	METAL, CRANKPIN STD SET
090	3338366	1	COMP. CRANKSHAFT
100	3331692	4	BALL-100
110	3329732	1	0.2MM SLEEVE CRANKSHAFT
120	--XXX--	-	NOT SOLD SEPARATELY
130	--XXX--	-	NOT SOLD SEPARATELY
140	3331696	1	SLINGER, OIL-150
150	3331697	1	COLLAR, CRANKSHAFT-160
160	3331698	1	O RING - 170
170	--XXX--	-	NOT SOLD SEPARATELY
180	--XXX--	-	NOT SOLD SEPARATELY
190	3330290	1	SEAL OIL
200	--XXX--	-	NOT SOLD SEPARATELY
210	--XXX--	-	NOT SOLD SEPARATELY
220	3338367	4	KIT-PISTON (STD.)
220	3338368	4	KIT-PISTON (+0.25 MM)
230	3338369	1	KIT-METAL ENGINE (STD.)
230	3338370	1	KIT-METAL ENGINE (-0.20 MM/+0.20 MM)
230	3338371	1	KIT-METAL ENGINE (-0.40 MM/+0.40 MM)
BOXES WITH --XXX-- ARE NOT AVAILABLE SEPARATELY & BLANKS ARE NOT USED IN VIEWS			

2203 KUBOTA ENGINE FLYWHEEL



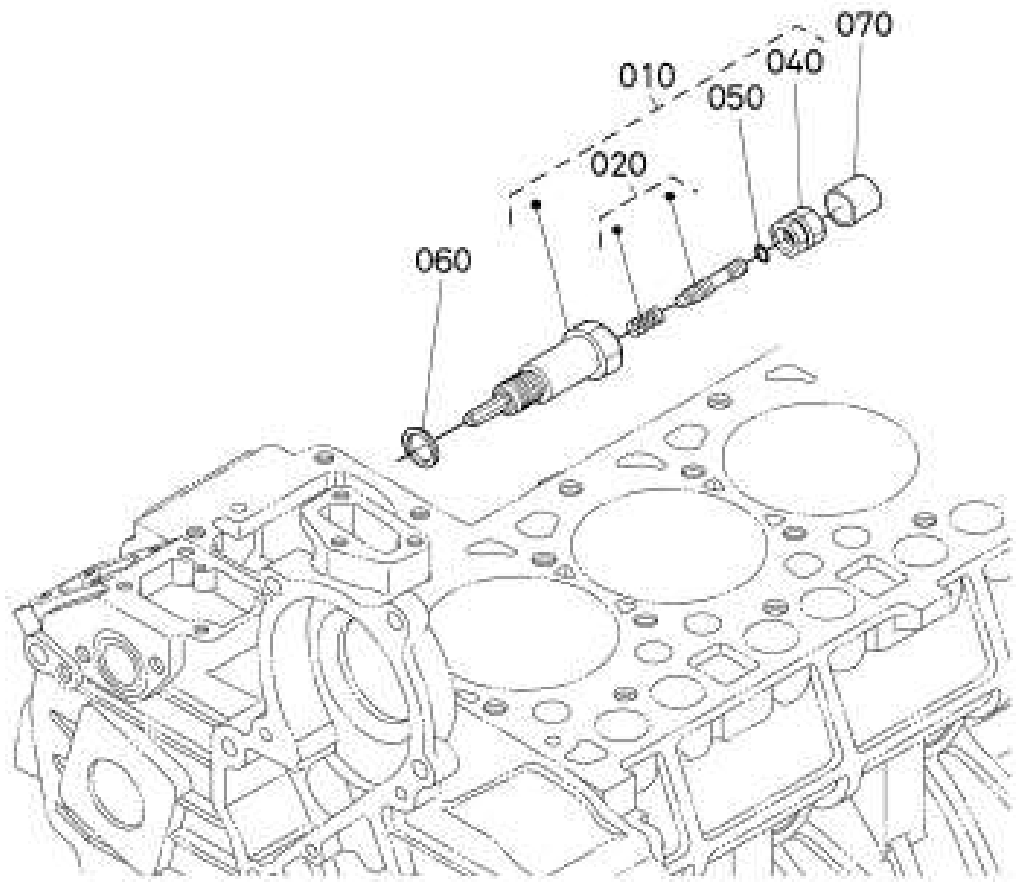
2203 KUBOTA ENGINE FLYWHEEL			
ITEM	PART NO.	REQ'D	DESCRIPTION
010	3338372	1	COMP. FLYWHEEL
020	3331715	1	GEAR, RING-020
030	3331716	6	BOLT, FLYWHEEL-030
040	3331717	1	HOUSING, FLYWHEEL-040
050	3331718	1	COVER-050
060	3331719	1	BOLT-060
070	3331598	1	WASHER, SPRING-060
080	3331721	11	BOLT, F/HOUSING-080
BOXES WITH --XXX-- ARE NOT AVAILABLE SEPARATELY & BLANKS ARE NOT USED IN VIEWS			

2203 KUBOTA ENGINE FUEL CAMSHAFT AND GOVERNOR SHAFT



2203 KUBOTA ENGINE FUEL CAMSHAFT AND GOVERNOR SHAFT			
ITEM	PART NO.	REQ'D	DESCRIPTION
010	3338373	1	ASSY-CAMSHAFT FUEL
020	--XXX--	-	NOT SOLD SEPARATELY
030	3331739	1	BEARING, BALL-030
040	3331740	1	GEAR, INJECTION PUMP-040
050	3331741	1	KEY, FEATHER-050
060	BLANK	-	NOT USED
070	3331743	1	SLEEVE, GOVERNOR
080	3331744	1	CIR-CLIP, GOV. SLEEVE-080
090	3331745	1	CASE, GOVERNOR BALL-090
100	3331746	39	BALL-100
110	3331747	1	CIR-CLIP-110
120	3331748	7	BALL-120
130	--XXX--	-	NOT SOLD SEPARATELY
140	3331750	1	STOPPER,FUEL.C/SHAFT-140
150	3331589	2	BOLT-070
160	3338374	1	GASKET
170	--XXX--	-	NOT SOLD SEPARATELY
180	--XXX--	-	NOT SOLD SEPARATELY
190	--XXX--	-	NOT SOLD SEPARATELY
200	3331757	4	BOLT-200
BOXES WITH --XXX-- ARE NOT AVAILABLE SEPARATELY & BLANKS ARE NOT USED IN VIEWS			

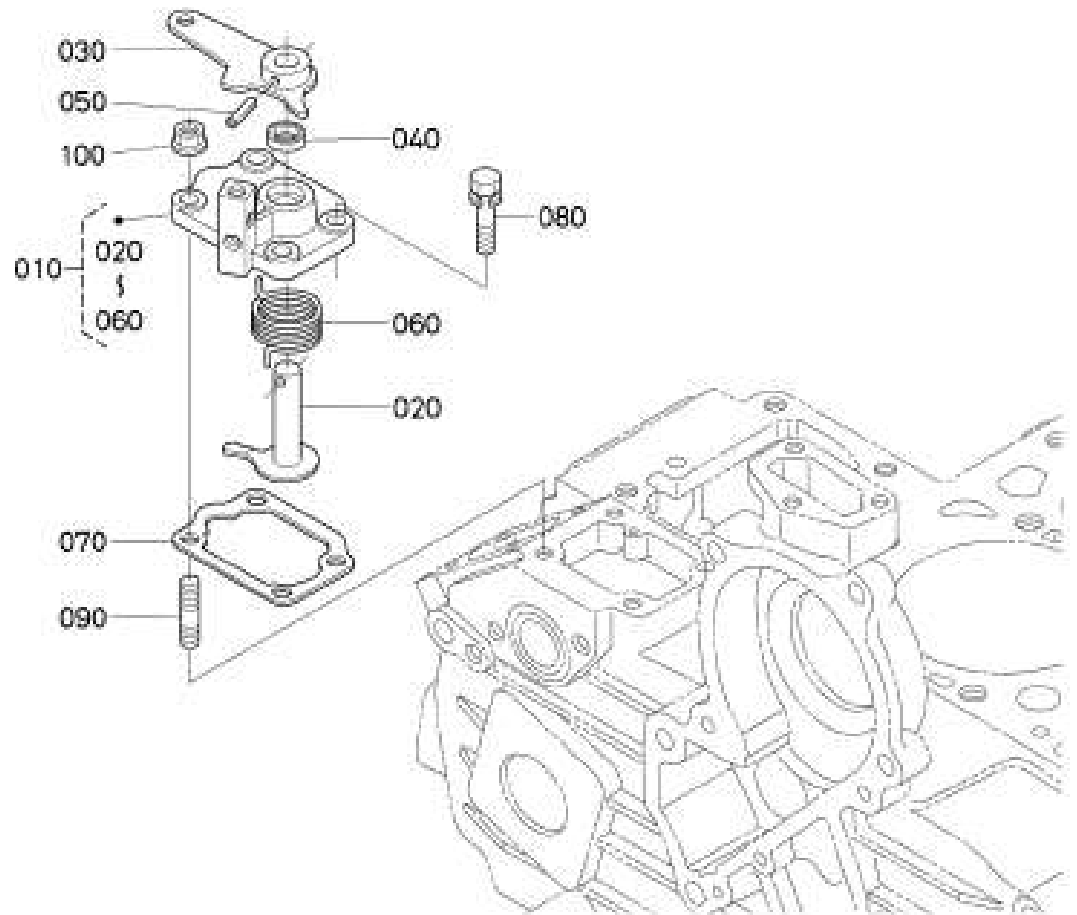
2203 KUBOTA ENGINE IDLE APPARATUS



1G176-C05-11

2203 KUBOTA ENGINE IDLE APPARATUS			
ITEM	PART NO.	REQ'D	DESCRIPTION
010	3338375	1	APPARATUS-IDLING
020	--XXX--	-	NOT SOLD SEPARATELY
030	BLANK	-	NOT USED
040	--XXX--	-	NOT SOLD SEPARATELY
050	--XXX--	-	NOT SOLD SEPARATELY
060	3338376	1	GASKET
070	--XXX--	-	NOT SOLD SEPARATELY
BOXES WITH --XXX-- ARE NOT AVAILABLE SEPARATELY & BLANKS ARE NOT USED IN VIEWS			

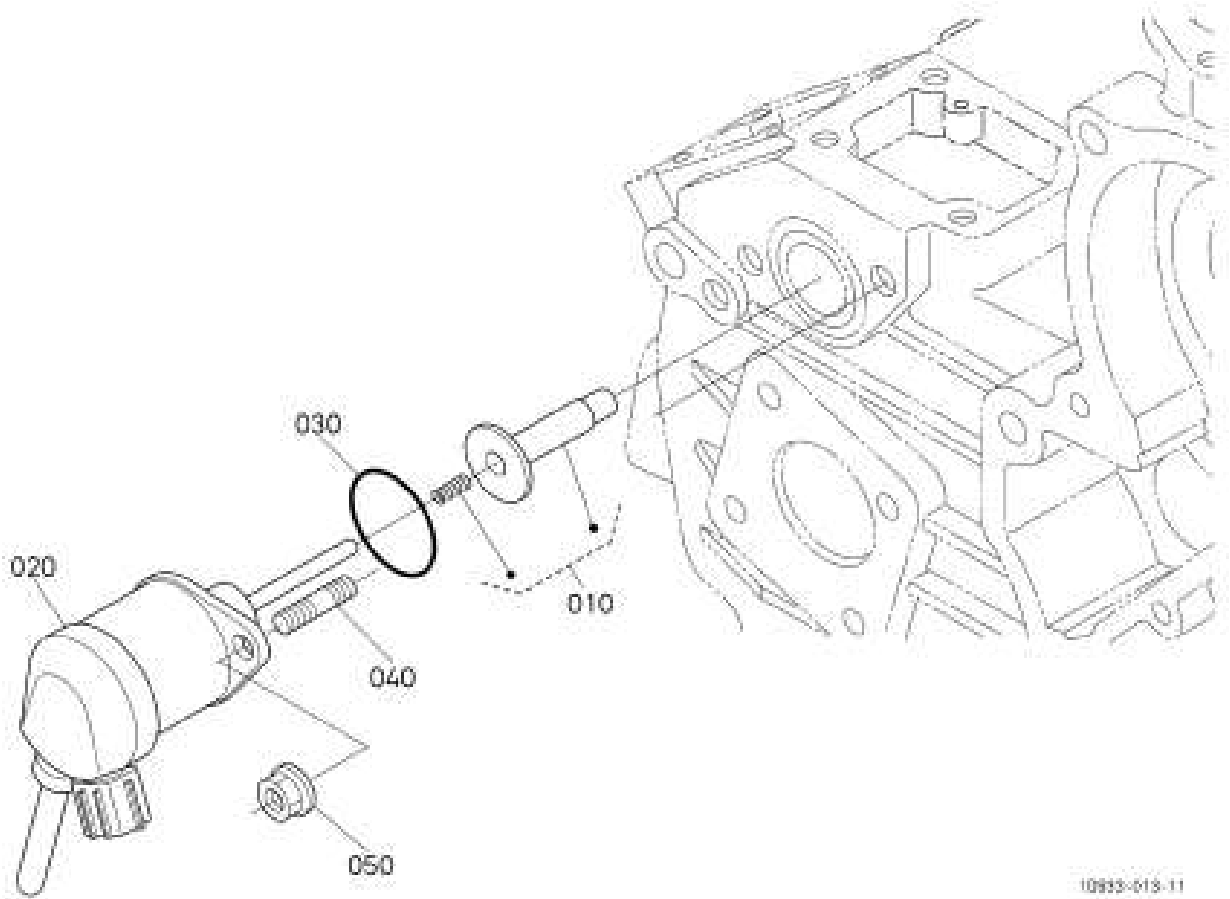
2203 KUBOTA ENGINE STOP LEVER



18385-000-10

2203 KUBOTA ENGINE STOP LEVER			
ITEM	PART NO.	REQ'D	DESCRIPTION
010	3338377	1	ASSY-LEVER ENGINE STOP
020	--XXX--	-	NOT SOLD SEPARATELY
030	--XXX--	-	NOT SOLD SEPARATELY
040	3334298	1	SEAL-SPEED CONTROL PLATE ASSY KBA 2203 EMIS
050	3331772	1	PIN, SP
060	--XXX--	-	NOT SOLD SEPARATELY
070	3334297	1	GASKET-SPEED CONT PLT KBA2203 EMIS COMP
080	3331652	2	BOLT-240
090	3331624	2	STUD-360
100	--XXX--	-	NOT SOLD SEPARATELY
BOXES WITH --XXX-- ARE NOT AVAILABLE SEPARATELY & BLANKS ARE NOT USED IN VIEWS			

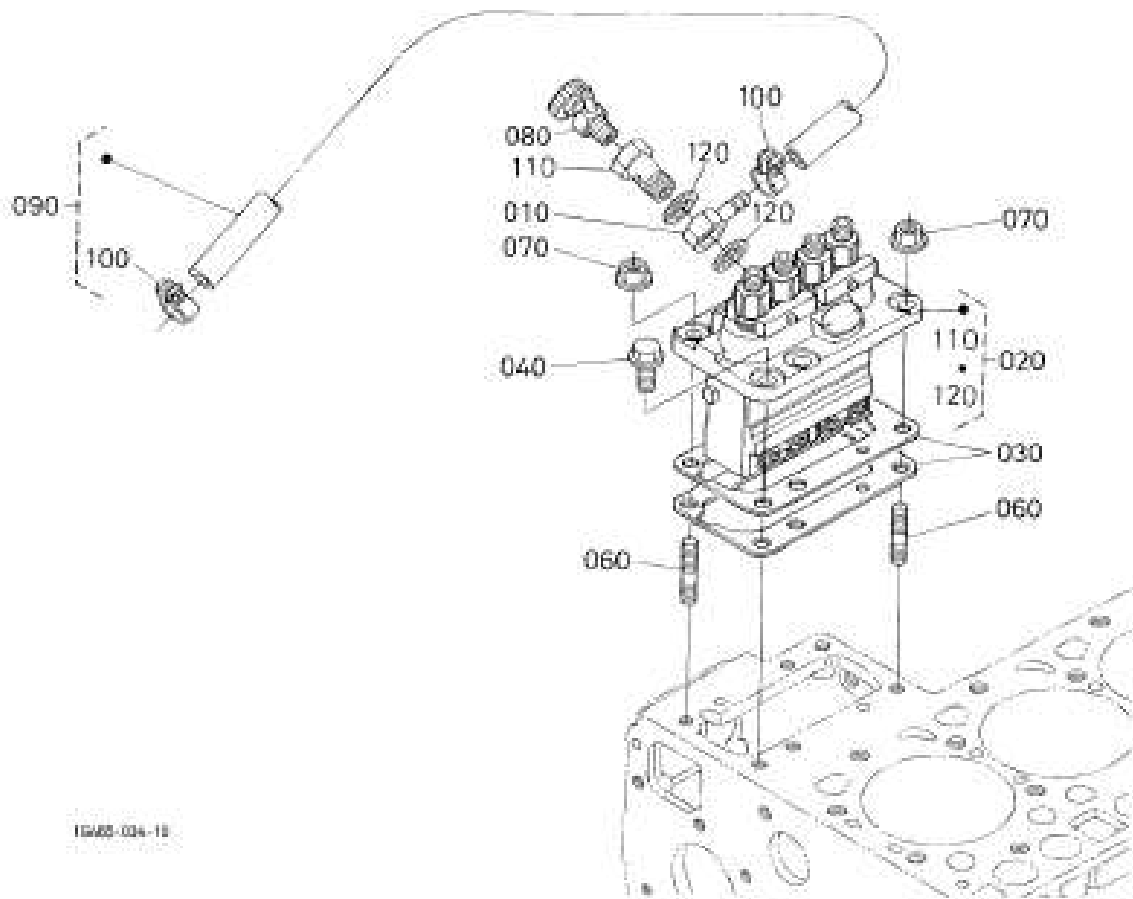
2203 KUBOTA ENGINE STOP SOLENOID



2203 KUBOTA ENGINE STOP SOLENOID			
ITEM	PART NO.	REQ'D	DESCRIPTION
010	3338378	1	COMP. GUIDE SOLENOID
020	3338379	1	ASSY-SOLENOID
030	3338380	1	O-RING
040	3331624	2	STUD-360
050	3338381	1	NUT-FLANGE

BOXES WITH --XXX-- ARE NOT AVAILABLE SEPARATELY & BLANKS ARE NOT USED IN VIEWS

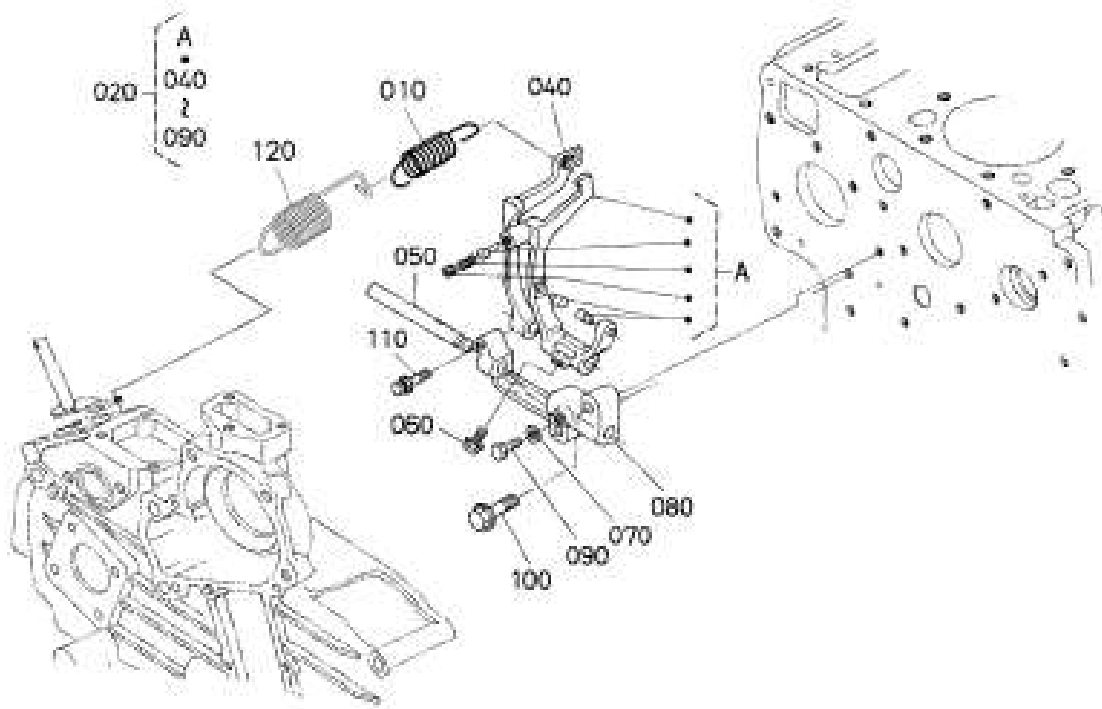
2203 KUBOTA ENGINE INJECTION PUMP



112403-004-10

2203 KUBOTA ENGINE INJECTION PUMP			
ITEM	PART NO.	REQ'D	DESCRIPTION
010	--XXX--	-	NOT SOLD SEPARATELY
020	3338382	1	ASSY-PUMP INJECTION
030	--XXX--	-	NOT SOLD SEPARATELY
040	3338383	4	BOLT-FLANGE
050	BLANK	-	NOT USED
060	3338384	2	STUD
070	3338385	2	NUT-FLANGE
080	3303591	1	ASSY-COCK JET START-KUBOTA(SP)
090	3331788	1	ASSY PIPE, FUEL-090
100	3331789	2	CLIP, PIPE-100
110	--XXX--	-	NOT SOLD SEPARATELY
120	--XXX--	-	NOT SOLD SEPARATELY
BOXES WITH --XXX-- ARE NOT AVAILABLE SEPARATELY & BLANKS ARE NOT USED IN VIEWS			

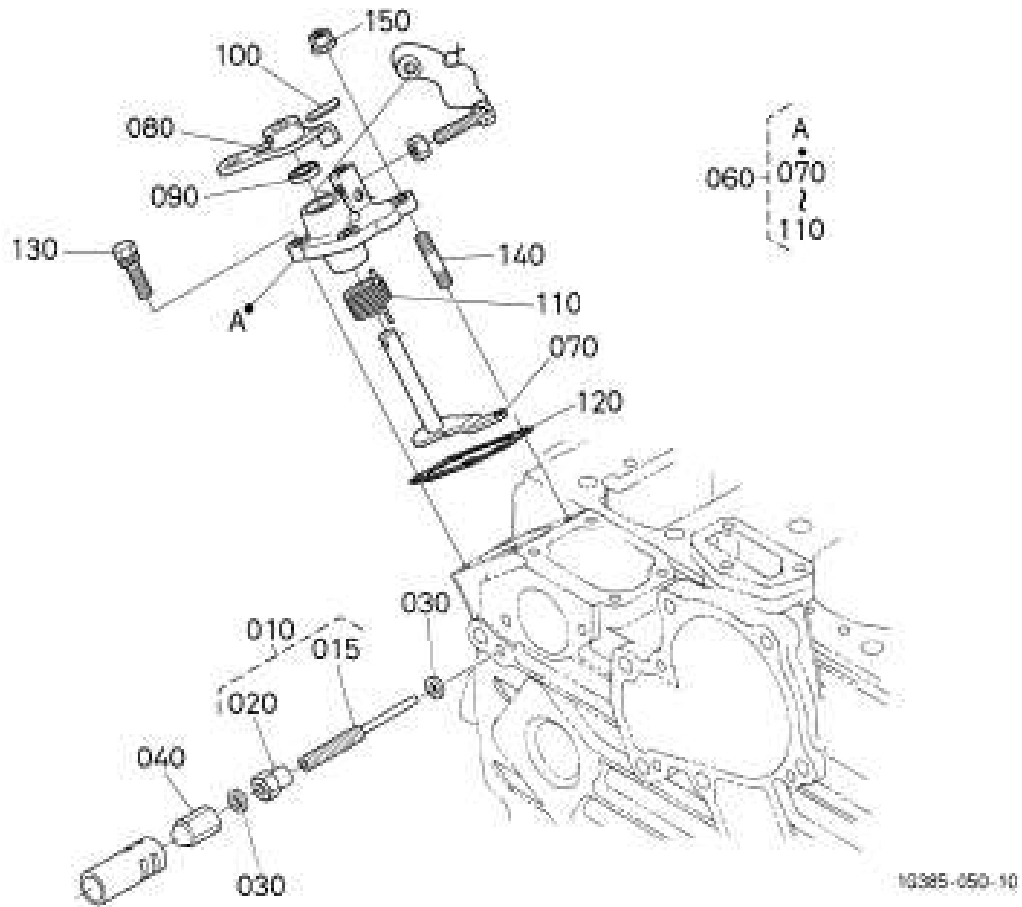
2203 KUBOTA ENGINE GOVERNOR



16475-008-14

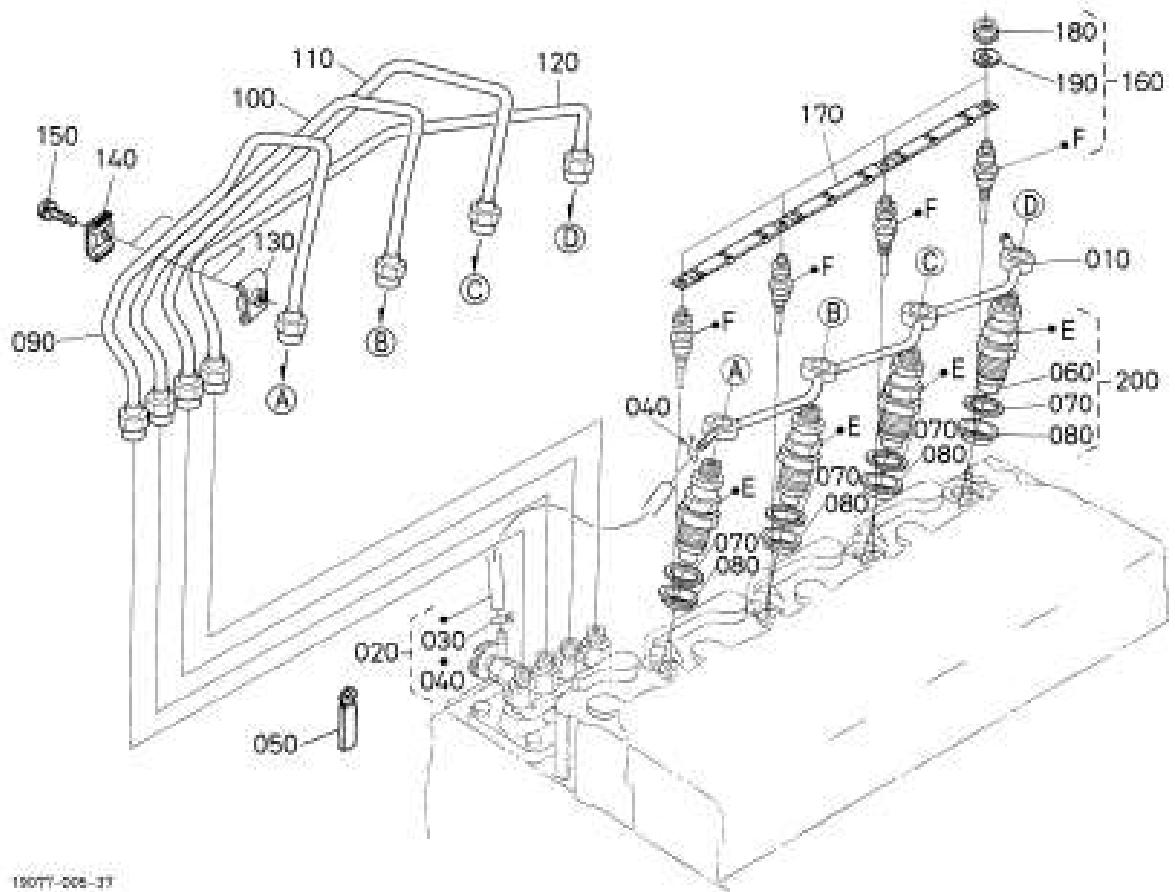
2203 KUBOTA ENGINE GOVERNOR			
ITEM	PART NO.	REQ'D	DESCRIPTION
010	3334295	1	SPRING-GOVENOR KBA 2203 EMIS COMP
020	3334293	1	ASSY-LEVER FORK KBA 2203 EMIS COMP
030	BLANK	-	NOT USED
040	--XXX--	-	NOT SOLD SEPARATELY
050	--XXX--	-	NOT SOLD SEPARATELY
060	--XXX--	-	NOT SOLD SEPARATELY
070	3331575	1	WASHER, SPRING -200
080	3331817	1	HOLDER, FORK LEVER- 070
090	3331818	1	BOLT -080
100	3338386	2	BOLT
110	3338387	1	SPRING-GOVERNOR
120	3334294	1	SPRING-GOVENOR KBA 2203 EMIS COMP
BOXES WITH --XXX-- ARE NOT AVAILABLE SEPARATELY & BLANKS ARE NOT USED IN VIEWS			

2203 KUBOTA ENGINE SPEED CONTROL PLATE



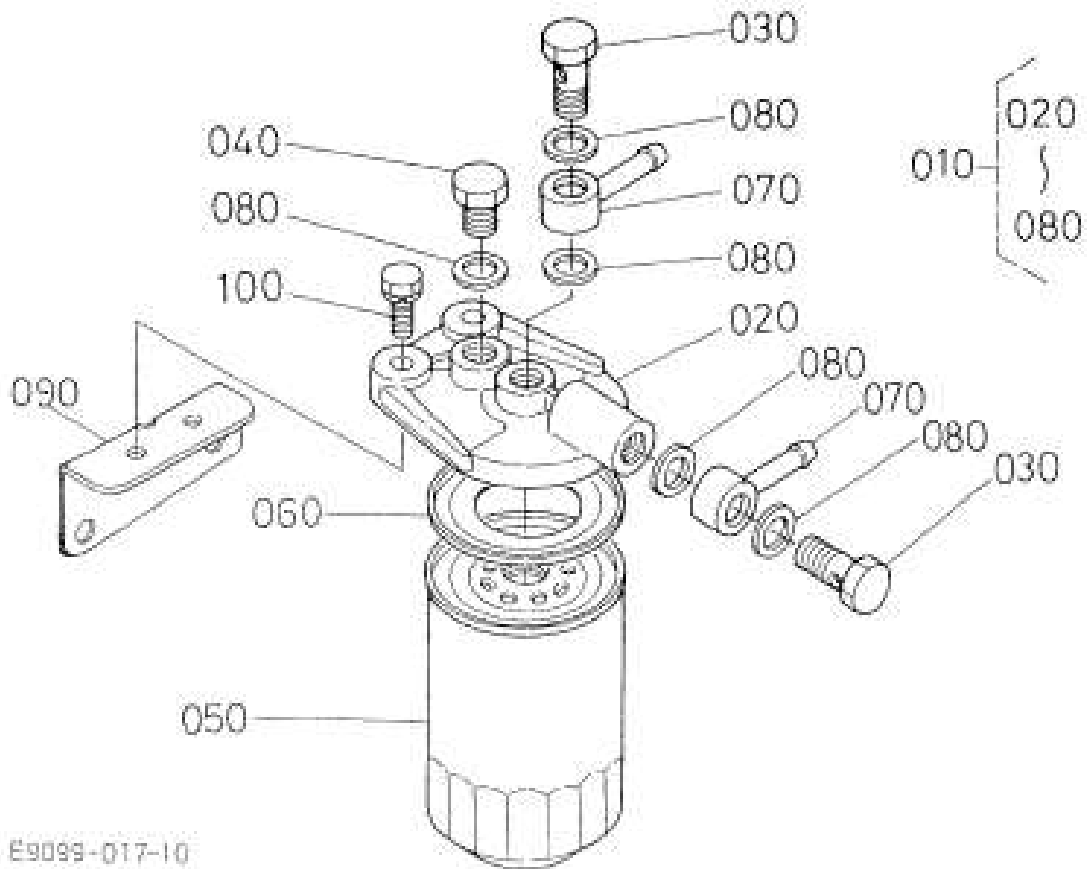
2203 KUBOTA ENGINE SPEED CONTROL PLATE			
ITEM	PART NO.	REQ'D	DESCRIPTION
010	3338388	1	ASSY-BOLT ADJUSTMENT
015	--XXX--	-	NOT SOLD SEPARATELY
020	--XXX--	-	NOT SOLD SEPARATELY
030	3331828	2	GASKET- 030
040	3331829	1	NUT, CAP- 040
050	BLANK	-	NOT USED
060	3334296	1	ASSY-SPEED CONT PLATE KBA 2203 EMIS COMP
070	--XXX--	-	NOT SOLD SEPARATELY
080	--XXX--	-	NOT SOLD SEPARATELY
090	3334298	1	SEAL-SPEED CONT PLATE ASSY KBA 2203 EMIS
100	3331772	1	PIN, SPRING-120
110	--XXX--	-	NOT SOLD SEPARATELY
120	3334297	1	GASKET-SPEED CONT PLT KBA2203 EMIS COMP
130	3331652	2	BOLT-240
140	3331624	2	STUD-360
150	3338389	2	NUT-FLANGE
BOXES WITH --XXX-- ARE NOT AVAILABLE SEPARATELY & BLANKS ARE NOT USED IN VIEWS			

2203 KUBOTA ENGINE NOZZLE HOLDER AND GLOW PLUG



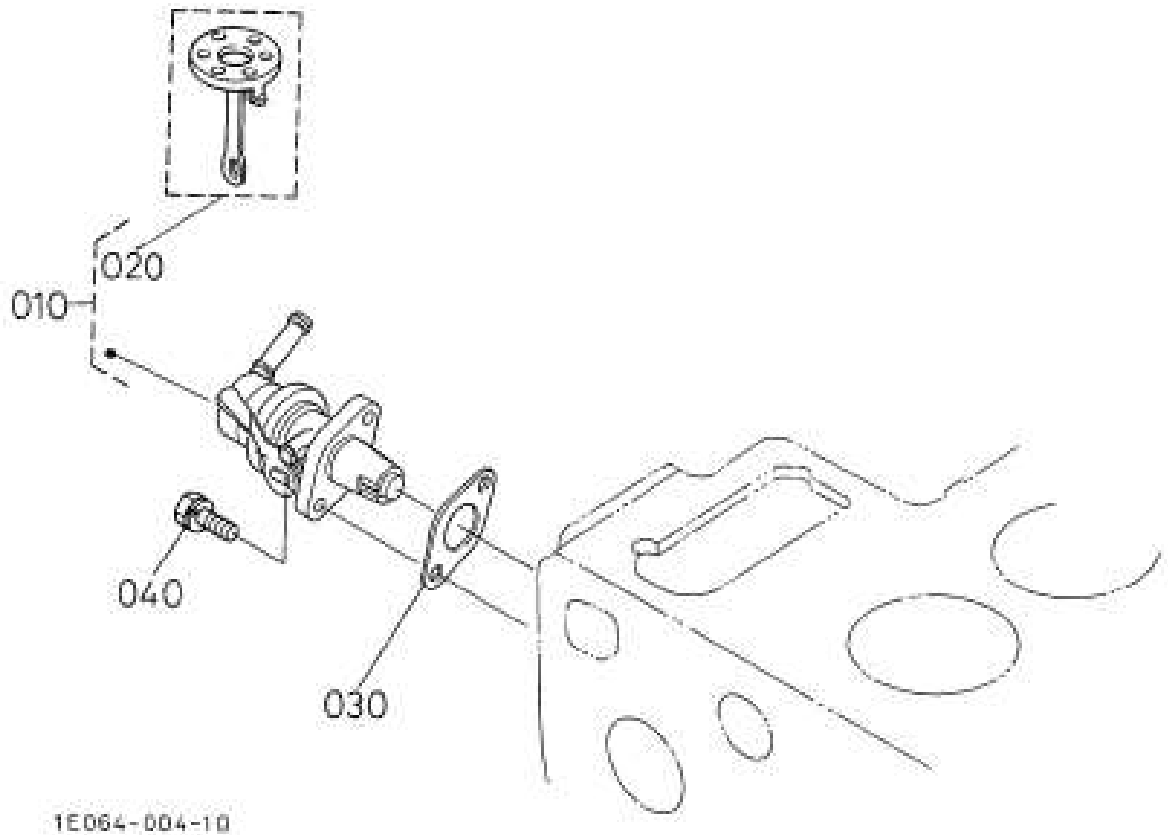
2203 KUBOTA ENGINE NOZZLE HOLDER AND GLOW PLUG			
ITEM	PART NO.	REQ'D	DESCRIPTION
010	3338390	1	ASSY-PIPE OVERFLOW
020	3331846	1	ASSY, PIPE OVER FLOW -020
030	3331847	1	CLIP PIPE-030
040	--XXX--	-	NOT SOLD SEPARATELY
050	3331868	1	CLAMP, CORD- 160
060	--XXX--	-	NOT SOLD SEPARATELY
070	3332432	4	KUBOTA GASKET
080	3331853	4	SEAL, HEAT -070
090	3331856	1	PIPE INJECTION 15056~
100	3331859	1	PIPE INJECTION 15056~
110	3331862	1	PIPE INJECTION 15056~
120	3338391	1	PIPE-INJECTION
130	3331861	3	PIPE INJECTION 14840~
140	3331864	3	CLAMP, PIPE -120
150	3331865	3	SCREW W/WASHER -130
160	3331866	4	PLUG GLOW -140
170	3338392	1	CORD-GLOW PLUG
180	--XXX--	-	NOT SOLD SEPARATELY
190	--XXX--	-	NOT SOLD SEPARATELY
200	3338393	4	KIT-HOLDER NOZZLE
BOXES WITH --XXX-- ARE NOT AVAILABLE SEPARATELY & BLANKS ARE NOT USED IN VIEWS			

2203 KUBOTA ENGINE FUEL FILTER



2203 KUBOTA ENGINE FUEL FILTER			
ITEM	PART NO.	REQ'D	DESCRIPTION
010	3338394	1	ASSY-FILTER FUEL
020	--XXX--	-	NOT SOLD SEPARATELY
030	--XXX--	-	NOT SOLD SEPARATELY
040	--XXX--	-	NOT SOLD SEPARATELY
050	3338395	1	FUEL FILTER
060	3338396	1	GASKET
070	--XXX--	-	NOT SOLD SEPARATELY
080	--XXX--	-	NOT SOLD SEPARATELY
090	--XXX--	-	NOT SOLD SEPARATELY
100	3338397	2	BOLT
BOXES WITH --XXX-- ARE NOT AVAILABLE SEPARATELY & BLANKS ARE NOT USED IN VIEWS			

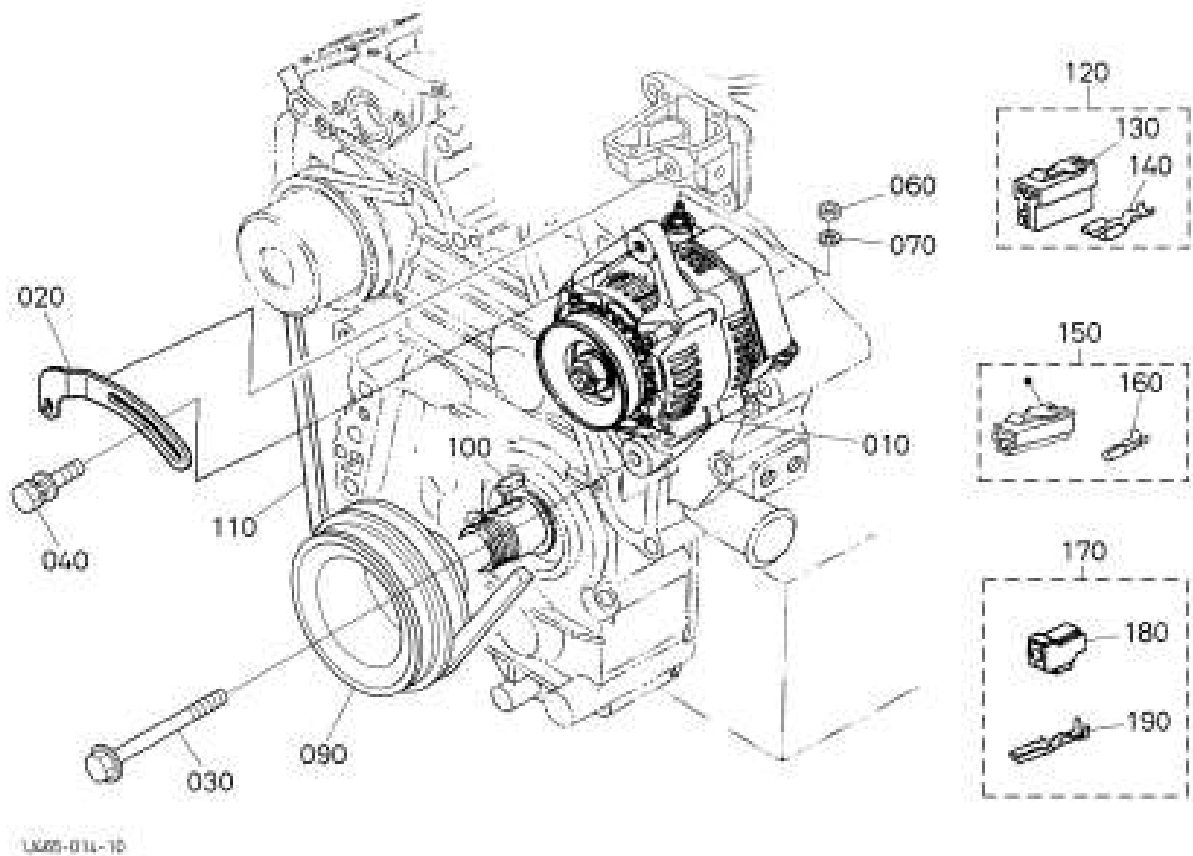
2203 KUBOTA ENGINE FUEL PUMP (MECHANICAL)



2203 KUBOTA ENGINE FUEL PUMP (MECHANICAL)			
ITEM	PART NO.	REQ'D	DESCRIPTION
010	3331924	1	ASSY PUMP FUEL -010
020	3338398	1	COMP. DIAPHRAGM
030	3338399	1	GASKET-FUEL PUMP
040	3331926	2	BOLT- 030

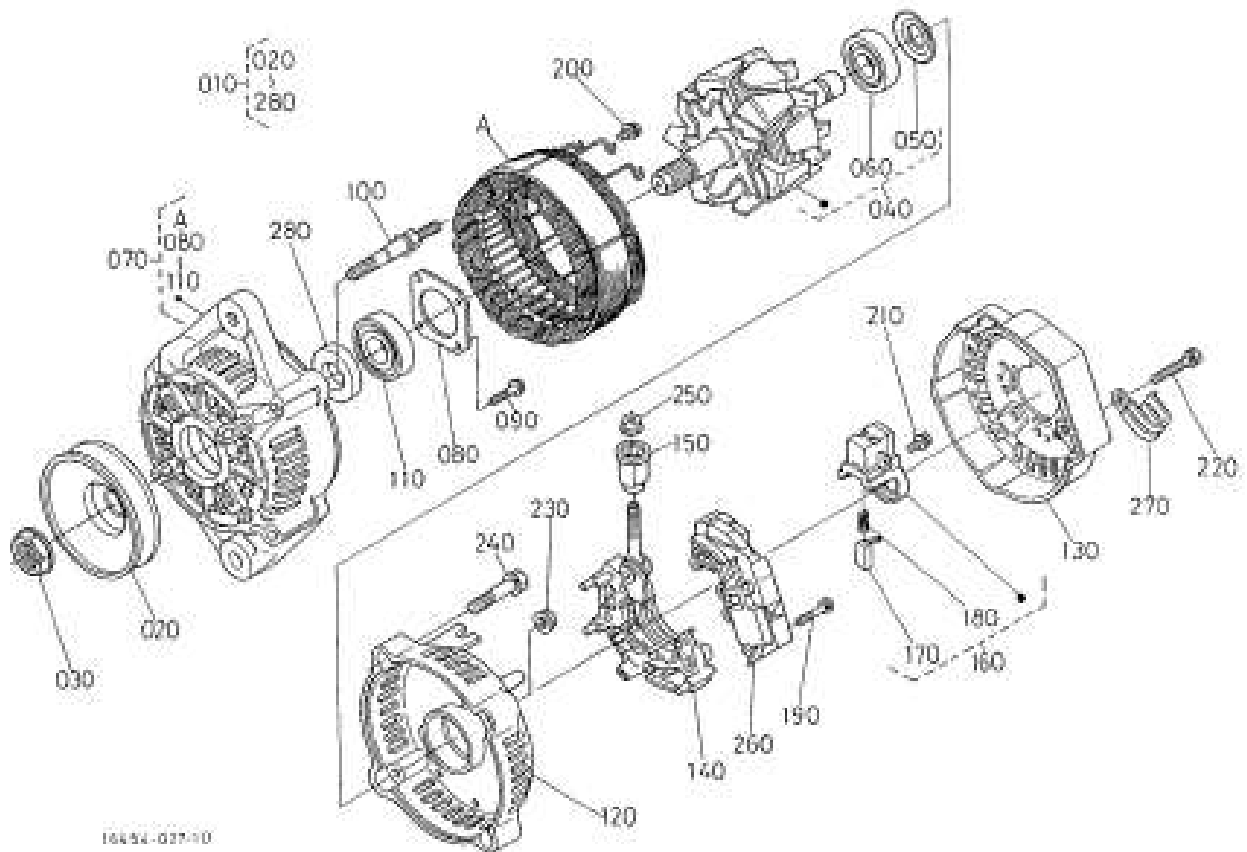
BOXES WITH --XXX-- ARE NOT AVAILABLE SEPARATELY & BLANKS ARE NOT USED IN VIEWS

2203 KUBOTA ENGINE ALTERNATOR AND PULLEY



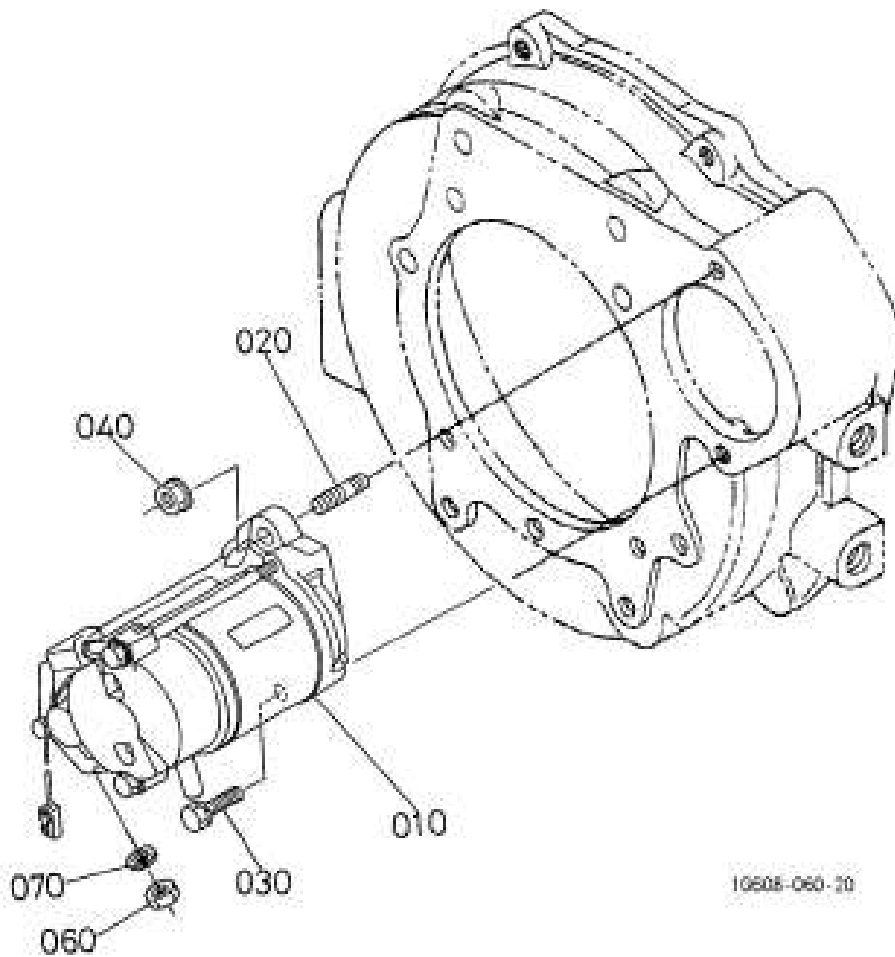
2203 KUBOTA ENGINE ALTERNATOR AND PULLEY			
ITEM	PART NO.	REQ'D	DESCRIPTION
010	3338400	1	ASSY-ALTERNATOR
020	--XXX--	-	NOT SOLD SEPARATELY
030	3338401	1	BOLT-FLANGE
040	3338402	1	BOLT
050	BLANK	-	NOT USED
060	3331620	1	NUT-330
070	3331575	1	WASHER, SPRING -200
080	BLANK	-	NOT USED
090	--XXX--	-	NOT SOLD SEPARATELY
100	3331519	1	KEY, FEATHER-070
110	3338956	1	BELT, COG
120	3306810	1	TERMINAL-2 PRG KBA ALT 71G(SP)
130	3331946	1	CONNECT -160
140	3331947	2	TERMINAL -170
150	3331953	1	ASSY COUPLER- 230
160	3331954	1	TERMINAL -240
170	--XXX--	-	NOT SOLD SEPARATELY
180	--XXX--	-	NOT SOLD SEPARATELY
190	--XXX--	-	NOT SOLD SEPARATELY
BOXES WITH --XXX-- ARE NOT AVAILABLE SEPARATELY & BLANKS ARE NOT USED IN VIEWS			

2203 KUBOTA ENGINE ALTERNATOR (COMPONENT PARTS)



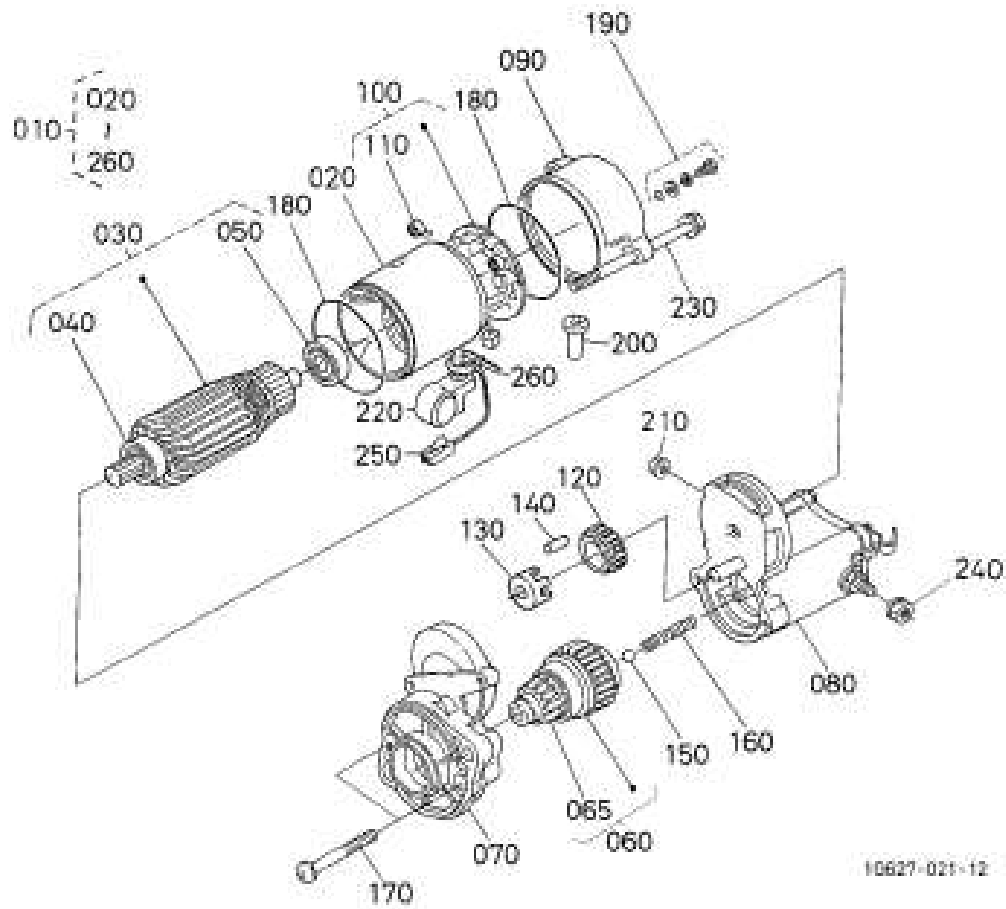
2203 KUBOTA ENGINE ALTERNATOR (COMPONENT PARTS)			
ITEM	PART NO.	REQ'D	DESCRIPTION
010	3338400	1	ASSY-ALTERNATOR
020	3331956	1	PULLEY ALTERNATOR- 020
030	3331957	1	NUT- 030
040	--XXX--	-	NOT SOLD SEPARATELY
050	3331960	1	COVER BEARING- 060
060	--XXX--	-	NOT SOLD SEPARATELY
070	--XXX--	-	NOT SOLD SEPARATELY
080	3331964	1	PLATE, RETAINER -100
090	3331965	4	SCREW, ROUND HEAD -110
100	3331966	2	BOLT, THROUGH -120
110	3331967	1	BEARING BALL -130
120	--XXX--	-	NOT SOLD SEPARATELY
130	--XXX--	-	NOT SOLD SEPARATELY
140	--XXX--	-	NOT SOLD SEPARATELY
150	--XXX--	-	NOT SOLD SEPARATELY
160	3331972	1	HOLDER BRUSH -180
170	3331973	2	BRUSH -190
180	3331974	2	SPRING BRUSH- 200
190	3331975	2	SCREW, ROUND HEAD -210
200	3331976	6	SCREW ROUND HEAD- 220
210	3331977	1	SCREW ROUND HEAD- 230
220	3331978	3	BOLT- 240
230	3331979	2	NUT- 250
240	3331980	2	BOLT- 260
250	3331981	1	NUT- 270
260	--XXX--	-	NOT SOLD SEPARATELY
270	--XXX--	-	NOT SOLD SEPARATELY
280	3331958	1	COLLAR -040
BOXES WITH --XXX-- ARE NOT AVAILABLE SEPARATELY & BLANKS ARE NOT USED IN VIEWS			

2203 KUBOTA ENGINE STARTER



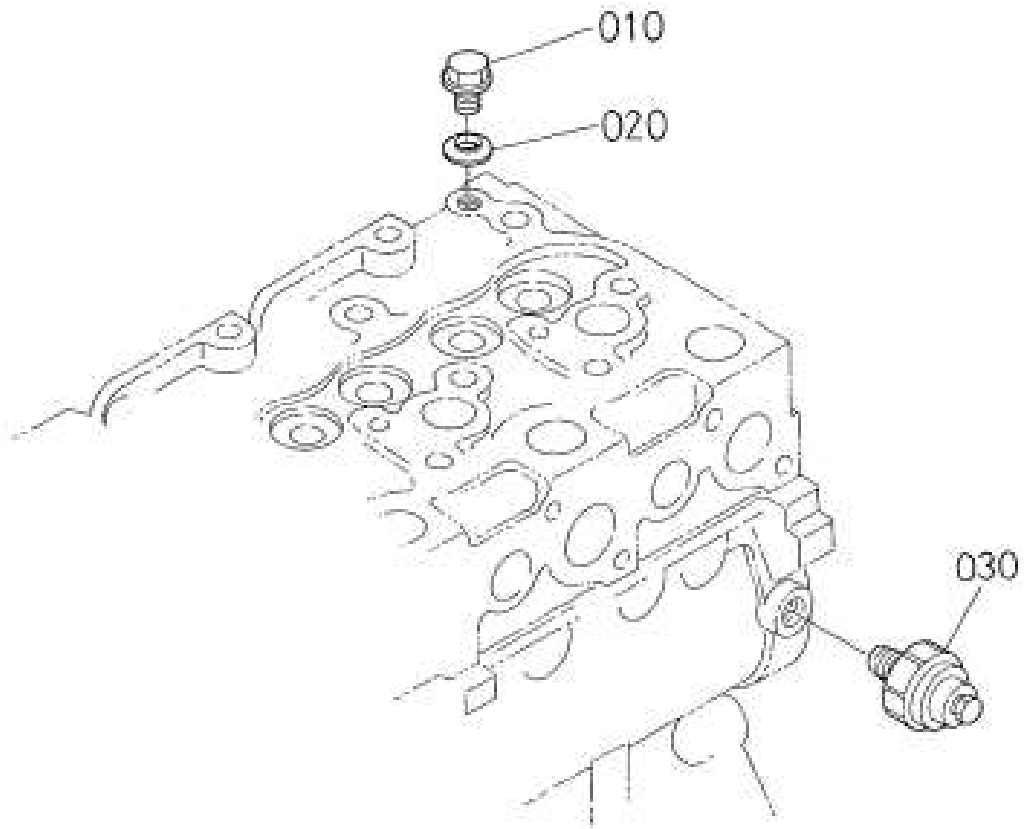
2203 KUBOTA ENGINE STARTER			
ITEM	PART NO.	REQ'D	DESCRIPTION
010	3331984	1	STARTER-KUBOTA 1402/03 1902/03 2203
020	3331985	1	STUD- 020
030	3331986	1	BOLT -030
040	3338403	1	NUT-FLANGE
050	BLANK	-	NOT USED
060	3331989	1	NUT- 060
070	3331598	1	WASHER, SPRING-060
BOXES WITH --XXX-- ARE NOT AVAILABLE SEPARATELY & BLANKS ARE NOT USED IN VIEWS			

2203 KUBOTA ENGINE STARTER (COMPONENT PARTS)



2203 KUBOTA ENGINE STARTER (COMPONENT PARTS)			
ITEM	PART NO.	REQ'D	DESCRIPTION
010	3331984	1	STARTER-KUBOTA 1402/03 1902/03 2203
020	--XXX--	-	NOT SOLD SEPARATELY
030	3331995	1	ASSY ARMATURE -030
040	3331996	1	BEARING- 040
050	3331997	1	BEARING- 050
060	3331998	1	CLUTCH, OVER RUNNING- 060
065	--XXX--	-	NOT SOLD SEPARATELY
070	3331999	1	FRAME, DRIVE END- 070
080	--XXX--	-	NOT SOLD SEPARATELY
090	3332002	1	FRAME- 090
100	3332003	1	ASSY HOLDER, BRUSH- 100
110	3332004	4	SPRING BRUSH- 110
120	3332005	1	GEAR- 120
130	3332006	1	RETAINER- 130
140	3332007	5	ROLLER- 140
150	3332009	1	BALL- 160
160	3332008	1	SPRING- 150
170	3332010	2	BOLT- 170
180	3332017	2	O RING -180
190	3332018	2	ASSY BOLT- 190
200	3332019	1	PIPE, DRAIN- 200
210	--XXX--	-	NOT SOLD SEPARATELY
220	--XXX--	-	NOT SOLD SEPARATELY
230	3332021	2	BOLT- 220
240	3332022	1	NUT, HEXAGON- 230
250	3331992	1	CORD, STOP SOLENOID 12830~
260	--XXX--	-	NOT SOLD SEPARATELY
BOXES WITH --XXX-- ARE NOT AVAILABLE SEPARATELY & BLANKS ARE NOT USED IN VIEWS			

2203 KUBOTA ENGINE OIL SWITCH AND PLUG



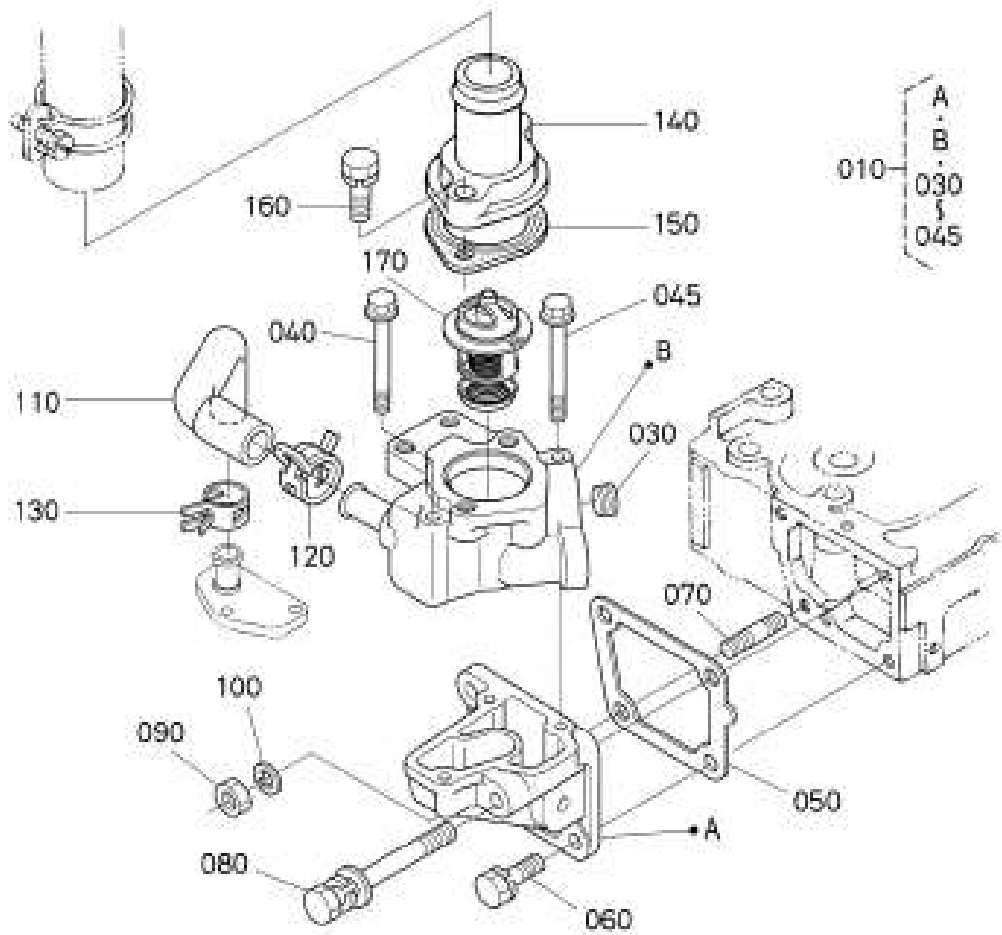
17290-018-10

2203 KUBOTA ENGINE OIL SWITCH AND PLUG

ITEM	PART NO.	REQ'D	DESCRIPTION
010	3332023	1	PLUG- 010
020	3332024	1	WASHER,W/RUBB- 020
030	748403	1	SWITCH, OIL

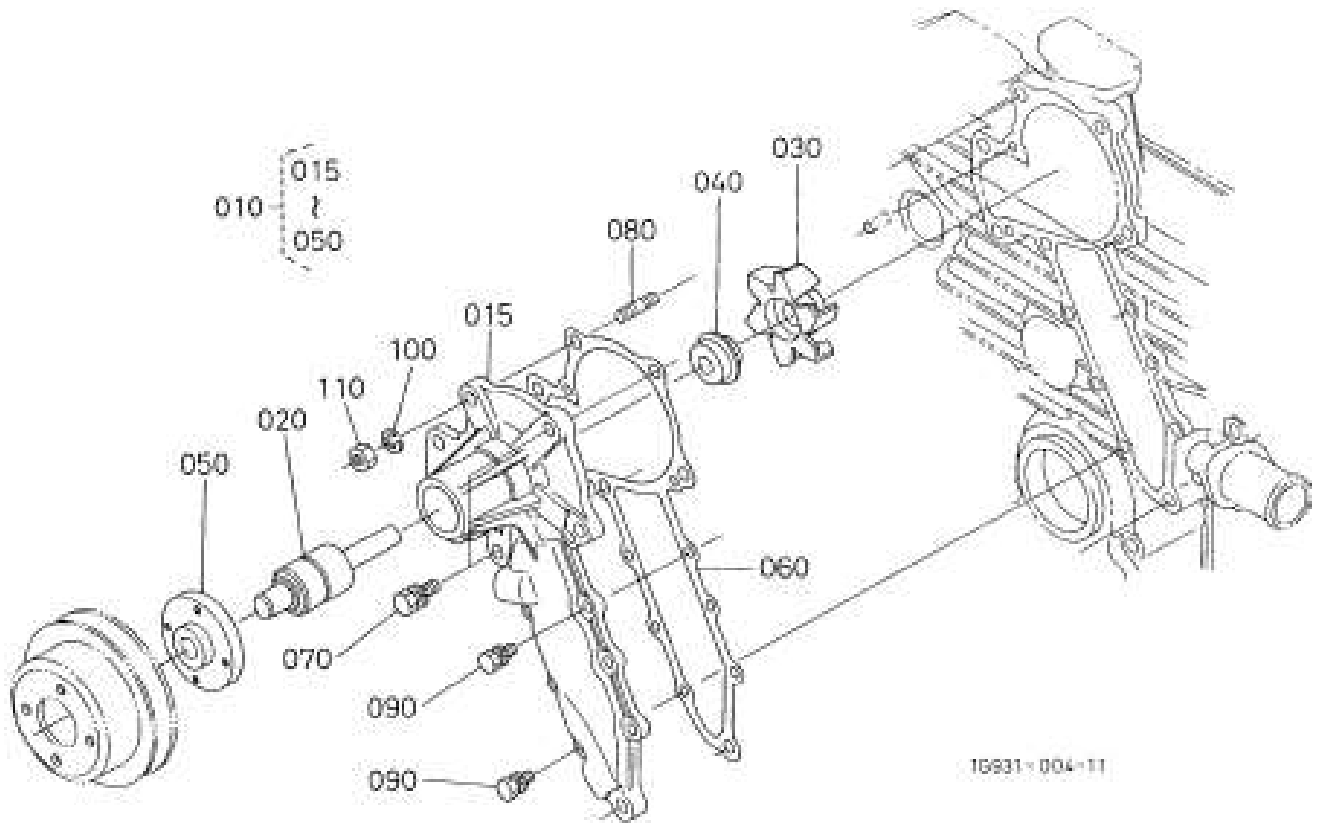
BOXES WITH --XXX-- ARE NOT AVAILABLE SEPARATELY & BLANKS ARE NOT USED IN VIEWS

2203 KUBOTA ENGINE WATER FLANGE AND THERMOSTAT



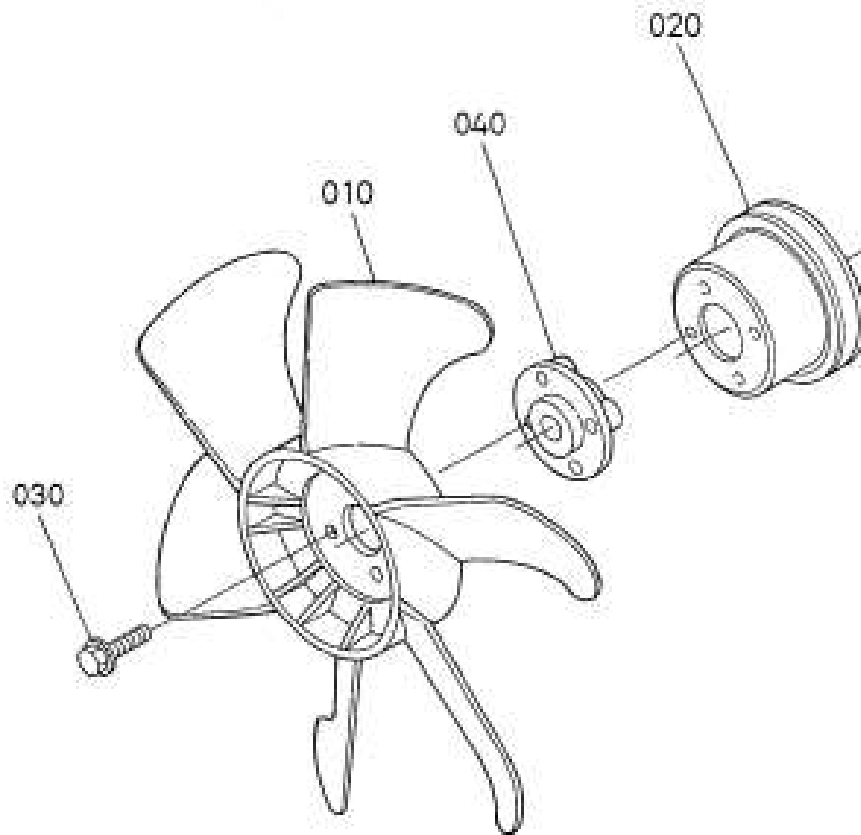
2203 KUBOTA ENGINE WATER FLANGE AND THERMOSTAT			
ITEM	PART NO.	REQ'D	DESCRIPTION
010	3338404	1	COMP. FLANGE WATER
020	BLANK	-	NOT USED
030	--XXX--	-	NOT SOLD SEPARATELY
040	--XXX--	-	NOT SOLD SEPARATELY
045	--XXX--	-	NOT SOLD SEPARATELY
050	3338405	1	GASKET-WATER FLANGE
060	3338406	2	BOLT
070	3331784	1	STUD-050
080	3338407	1	BOLT
090	3331597	1	NUT-050
100	3331598	1	WASHER, SPRING-060
110	3334302	1	PIPE-WATER RET STAT KBA 2203 EMIS COMP
120	3338408	1	CLAMP-HOSE
130	3334303	1	CLAMP-WATER RETURN PIPE T STAT KBA 2203
140	3332039	1	COVER, THERMOSTAT- 130
150	3336918	1	GASKET - THERMOSTAT KUBOTA
160	3338409	2	BOLT
170	3334304	1	THERMOSTAT-KBA 2203 EMIS COMP
BOXES WITH --XXX-- ARE NOT AVAILABLE SEPARATELY & BLANKS ARE NOT USED IN VIEWS			

2203 KUBOTA ENGINE WATER PUMP



2203 KUBOTA ENGINE WATER PUMP			
ITEM	PART NO.	REQ'D	DESCRIPTION
010	3334305	1	PUMP-WATER KBA 2203 EMIS COMP
015	--XXX--	-	NOT SOLD SEPARATELY
020	3332046	1	BEARING- 020
030	--XXX--	-	NOT SOLD SEPARATELY
040	3332048	1	ASSY- SEAL, MECHANICAL-040
050	--XXX--	-	NOT SOLD SEPARATELY
060	3339010	1	GASKET, WATER PUMP
070	3331508	2	BOLT-070
080	3338410	1	STUD
090	3331776	6	BOLT-150
100	3331598	1	WASHER, SPRING-060
110	3331597	1	NUT-050
BOXES WITH --XXX-- ARE NOT AVAILABLE SEPARATELY & BLANKS ARE NOT USED IN VIEWS			

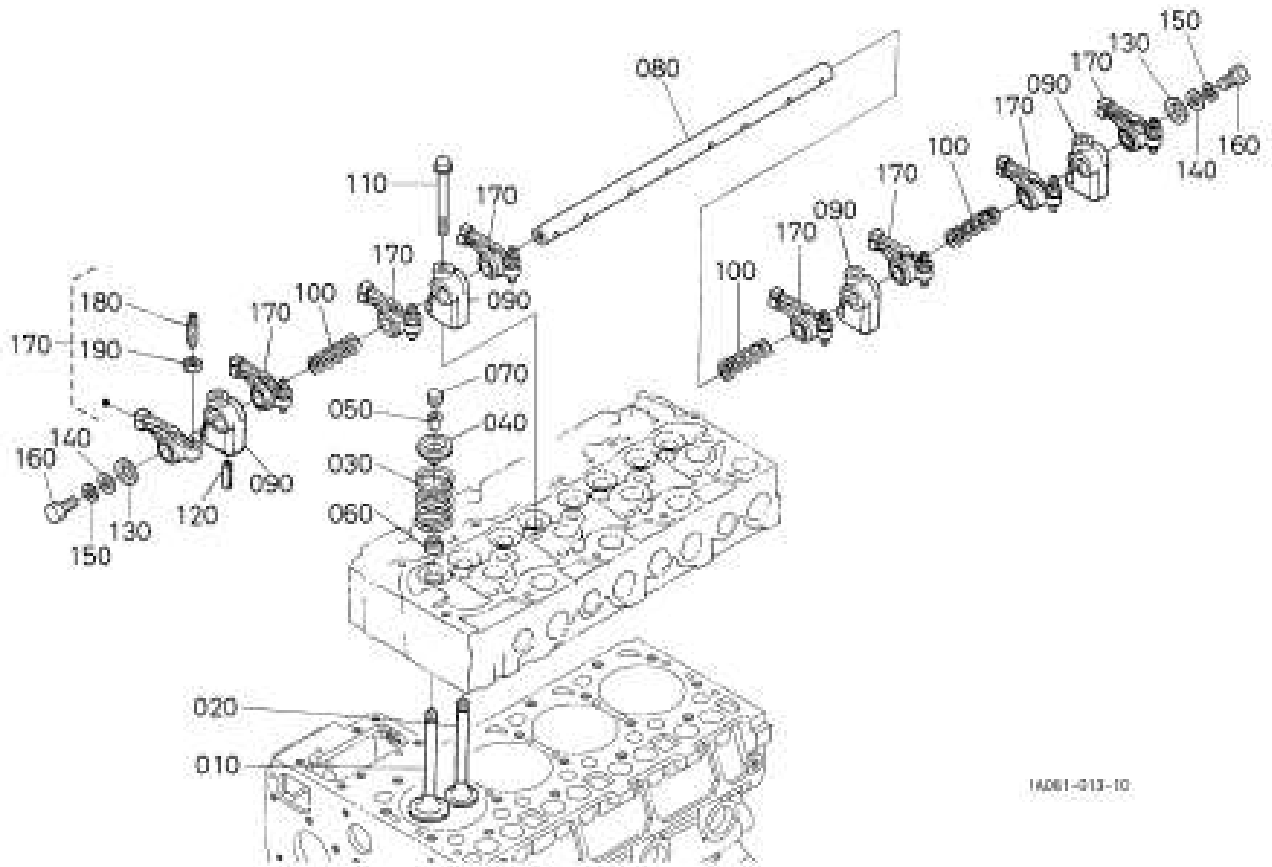
2203 KUBOTA ENGINE FAN



16465-043-10

2203 KUBOTA ENGINE FAN			
ITEM	PART NO.	REQ'D	DESCRIPTION
010	3350449	1	FAN-ENGINE 6-BLADE V2203 KBA
020	--XXX--	-	NOT SOLD SEPARATELY
030	3338411	4	BOLT-FLANGE
040	--XXX--	-	NOT SOLD SEPARATELY
BOXES WITH --XXX-- ARE NOT AVAILABLE SEPARATELY & BLANKS ARE NOT USED IN VIEWS			

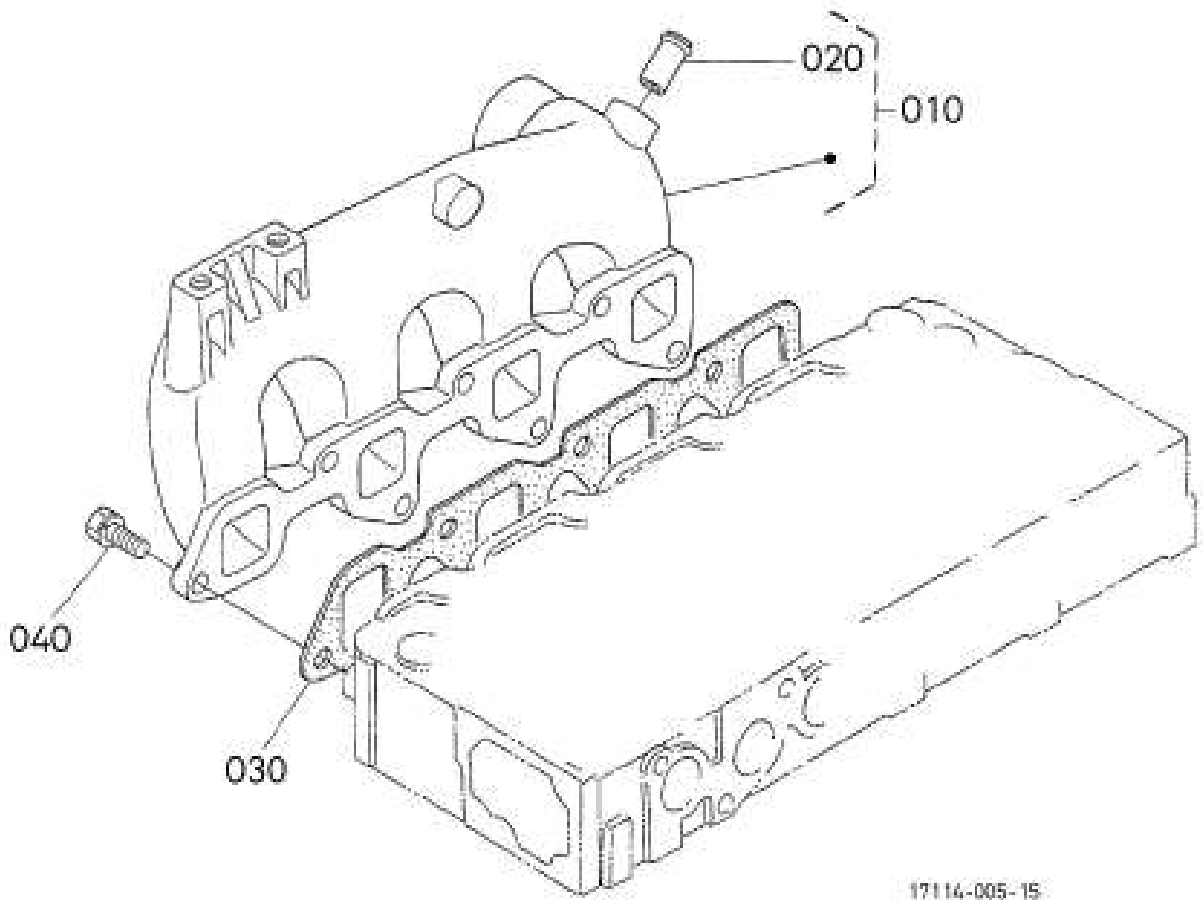
2203 KUBOTA ENGINE VALVE AND ROCKER ARM



1A201-013-10

2203 KUBOTA ENGINE VALVE AND ROCKER ARM			
ITEM	PART NO.	REQ'D	DESCRIPTION
010	3338412	4	VALVE-INLET
020	3338413	4	VALVE-EXHAUST
030	3332090	8	SPRING, VALVE- 030
040	3332091	8	RETAINER, VALVE SP- 040
050	3338414	8	COLLET-VALVE SPRING (SET)
060	3338415	8	SEAL-VALVE STEM
070	3332094	8	CAP, VALVE- 070
080	3338416	1	SHAFT-ROCKER ARM
090	3338417	4	BRACKET-ROCKER ARM
100	3332105	3	SPRING, ROCKER ARM- 170
110	3338418	4	BOLT-FLANGE
120	3332103	1	PIN, SPRING- 12660~
130	3332104	2	WASHER, R-ARM. SHAFT- 160
140	3338419	2	WASHER-PLAIN
150	3331598	2	WASHER, SPRING-060
160	3331719	2	BOLT-060
170	3332107	8	ASSY ROCKER ARM- 190
180	3332108	8	SCREW,ADJUSTING- 200
190	3332109	8	NUT- 210
BOXES WITH --XXX-- ARE NOT AVAILABLE SEPARATELY & BLANKS ARE NOT USED IN VIEWS			

2203 KUBOTA ENGINE INLET MANIFOLD

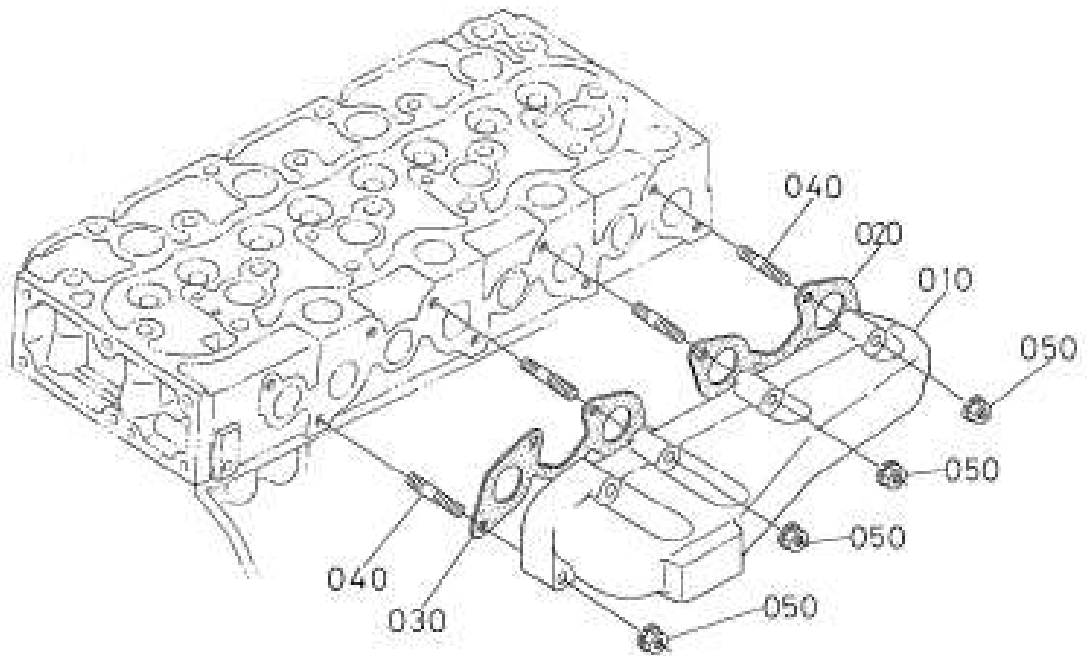


17114-005-15

2203 KUBOTA ENGINE INLET MANIFOLD			
ITEM	PART NO.	REQ'D	DESCRIPTION
010	3338420	1	COMP. MANIFOLD INLET
020	--XXX--	-	NOT SOLD SEPARATELY
030	3338421	1	GASKET-IN-MANIFOLD
040	3331783	7	BOLT-040

BOXES WITH --XXX-- ARE NOT AVAILABLE SEPARATELY & BLANKS ARE NOT USED IN VIEWS

2203 KUBOTA ENGINE EXHAUST MANIFOLD

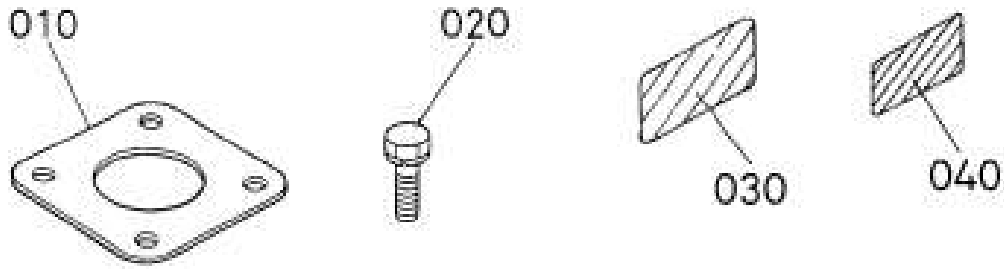


16454-069-10

2203 KUBOTA ENGINE EXHAUST MANIFOLD			
ITEM	PART NO.	REQ'D	DESCRIPTION
010	3338422	1	MANIFOLD-EXHAUST
020	3338423	1	GASKET-EXHAUST MANIFOLD
030	3338424	1	GASKET-EXHAUST MANIFOLD
040	3338425	8	STUD
050	3338426	8	NUT

BOXES WITH --XXX-- ARE NOT AVAILABLE SEPARATELY & BLANKS ARE NOT USED IN VIEWS

2203 KUBOTA ENGINE ACCESSORIES AND SERVICE PARTS

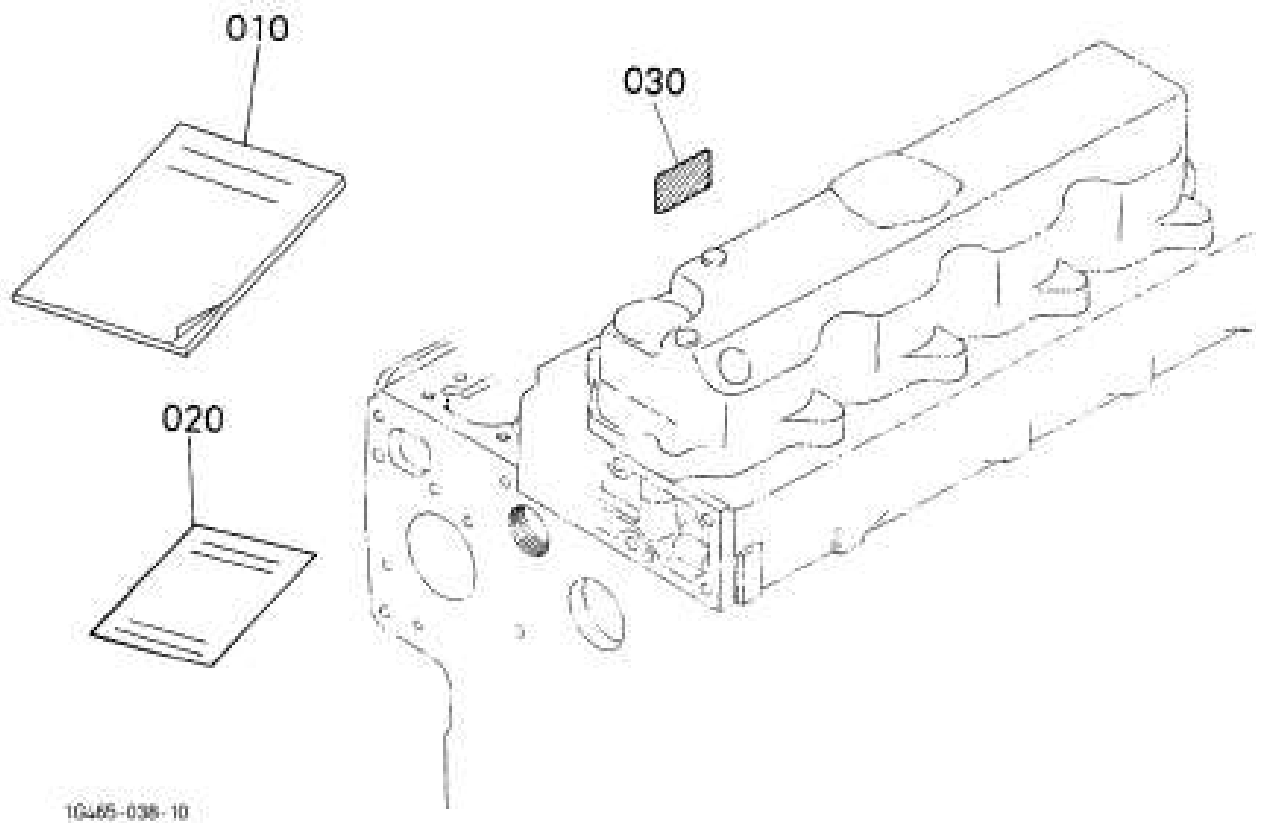


10465-037-10

2203 KUBOTA ENGINE ACCESSORIES AND SERVICE PARTS			
ITEM	PART NO.	REQ'D	DESCRIPTION
010	3332122	1	GASKET, MUFFLER
020	3331507	4	BOLT-060
030	3332064	1	LABEL INSTRUCTION- 080
040	--XXX--	-	NOT SOLD SEPARATELY

BOXES WITH --XXX-- ARE NOT AVAILABLE SEPARATELY & BLANKS ARE NOT USED IN VIEWS

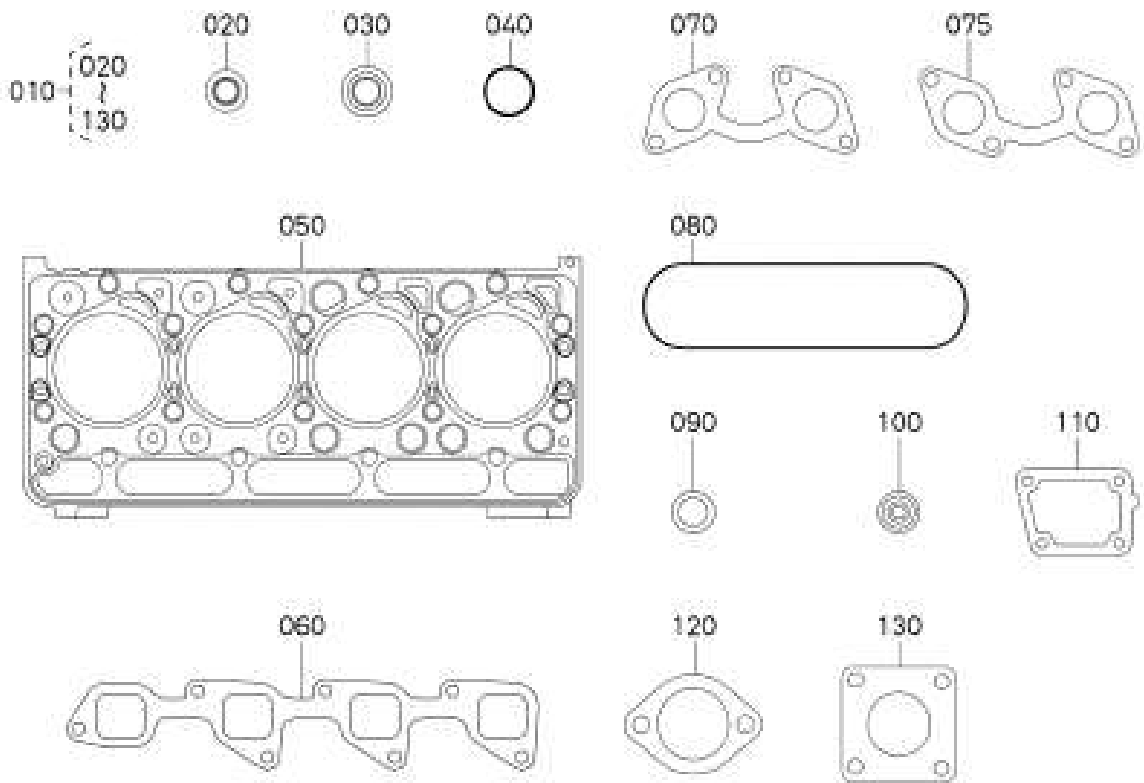
2203 KUBOTA ENGINE LABEL AND OPERATOR'S MANUAL



2203 KUBOTA ENGINE LABEL AND OPERATOR'S MANUAL			
ITEM	PART NO.	REQ'D	DESCRIPTION
010	3338427	1	OPERATORS MANUAL
020	3338428	1	STATEMENT-WARRANTY
030	--XXX--	-	NOT SOLD SEPARATELY

BOXES WITH --XXX-- ARE NOT AVAILABLE SEPARATELY & BLANKS ARE NOT USED IN VIEWS

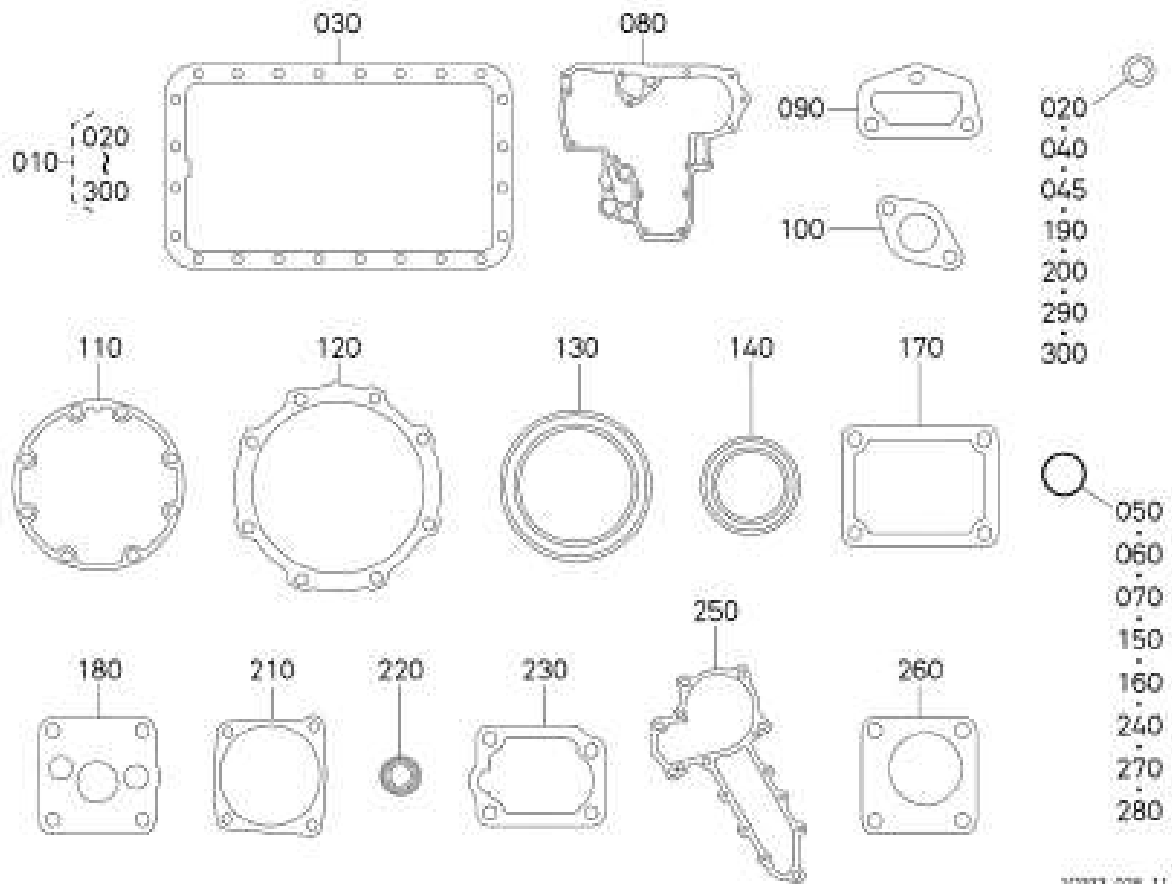
2203 KUBOTA ENGINE UPPER GASKET KIT [OPTION]



12485-004-10

2203 KUBOTA ENGINE UPPER GASKET KIT [OPTION]			
ITEM	PART NO.	REQ'D	DESCRIPTION
010	3338429	1	KIT-GASKET UPPER
020	3332024	1	WASHER,W/RUBB- 020
030	3338415	8	SEAL-VALVE STEM
040	3338345	1	O-RING
050	3334292	1	GASKET-CYL HEAD KBA 2203 EMIS COMP
060	3338421	1	GASKET-IN-MANIFOLD
070	3338424	1	GASKET-EXHAUST MANIFOLD
075	3338423	1	GASKET-EXHAUST MANIFOLD
080	3334289	1	GASKET-CYL HEAD COVER KBA 2203 EMIS COMP
090	3332432	4	KUBOTA GASKET
100	3331853	4	SEAL, HEAT -070
110	3338405	1	GASKET-WATER FLANGE
120	3336918	1	GASKET - THERMOSTAT KUBOTA
130	3332122	1	GASKET, MUFFLER- 010
BOXES WITH --XXX-- ARE NOT AVAILABLE SEPARATELY & BLANKS ARE NOT USED IN VIEWS			

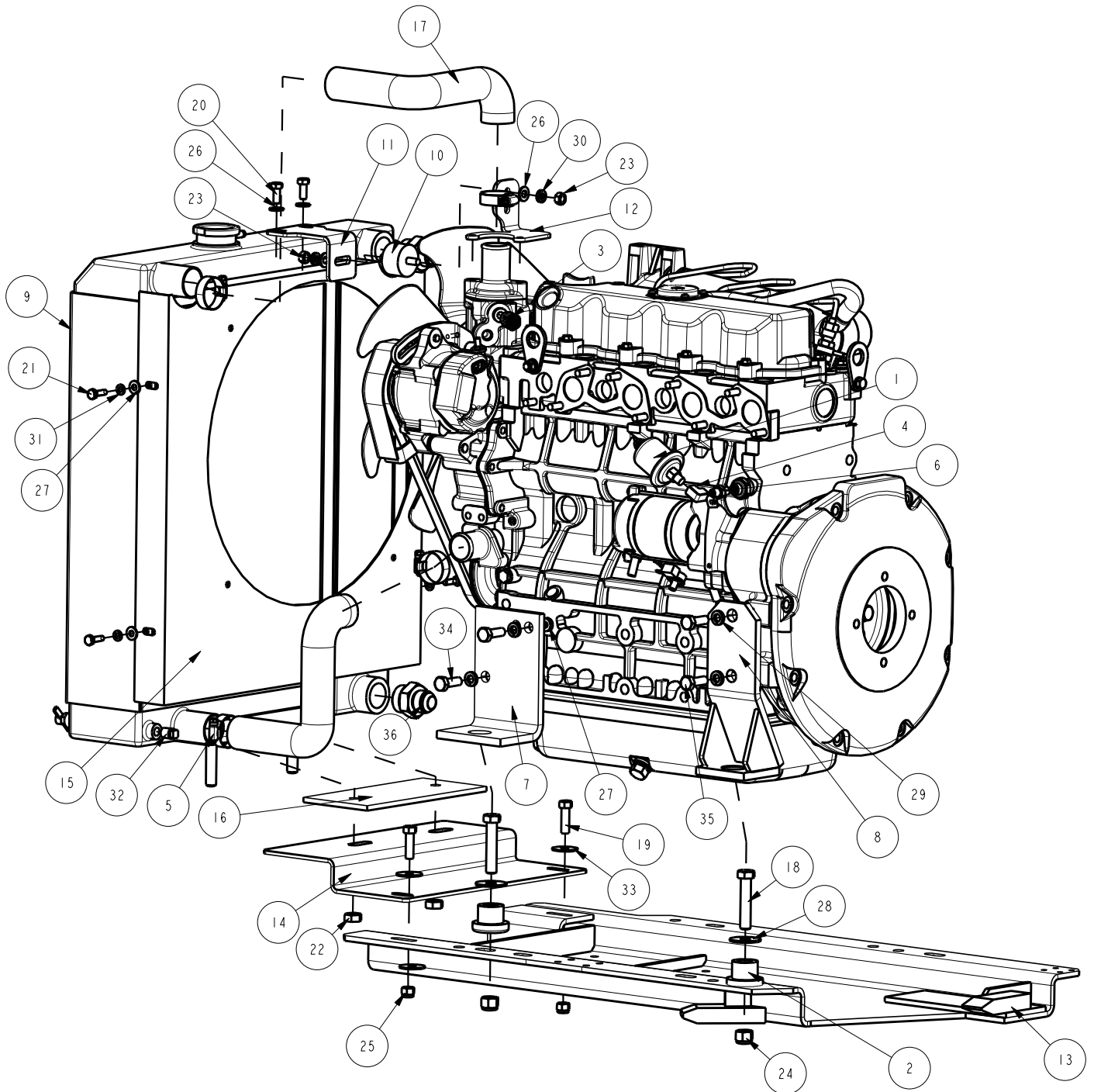
2203 KUBOTA ENGINE LOWER GASKET KIT [OPTION]



10233-028-11

2203 KUBOTA ENGINE LOWER GASKET KIT [OPTION]			
ITEM	PART NO.	REQ'D	DESCRIPTION
010	3338430	1	KIT-GASKET LOWER
020	3338405	1	GASKET-WATER FLANGE
030	3338325	1	GASKET-OIL PAN
040	3305252	1	WASHER-KUBOTA OIL DRAIN FTG
045	3333377	2	GASKET
050	3338334	1	O-RING
060	3338335	2	O-RING
070	3338336	1	O-RING
080	3334301	1	GASKET-TIMING GEAR CASE KBA 2203 EMIS
090	3338342	1	GASKET-RETURN FLANGE
100	3338399	1	GASKET-FUEL PUMP
110	3338355	1	GASKET-BEARING CASE
120	3338357	1	GASKET- CASE COVER
130	3338358	1	SEAL-OIL
140	3330290	1	KBA SEAL OIL
150	3331698	1	O RING - 170
160	3338330	1	O-RING
170	3338351	1	GASKET-PUMP COVER
180	3338348	1	GASKET-OIL PUMP
190	3331828	2	GASKET- 030
200	--XXX--	2	NOT SOLD SEPARATELY
210	3338374	1	GASKET
220	3334298	2	SEAL-SPEED CONT PLATE ASSY KBA 2203 EMIS
230	3334297	2	GASKET-SPEED CONT PLT KBA2203 EMIS COMP
240	3338380	1	O-RING
250	3339010	1	GASKET, WATER PUMP
260	3338343	1	GASKET-HOUR METER
270	--XXX--	1	NOT SOLD SEPARATELY
280	--XXX--	1	NOT SOLD SEPARATELY
290	3338376	1	GASKET
300	3331569	1	GASKET-150
BOXES WITH --XXX-- ARE NOT AVAILABLE SEPARATELY & BLANKS ARE NOT USED IN VIEWS			

2203 KUBOTA ENGINE - RADIATOR AND SENDERS

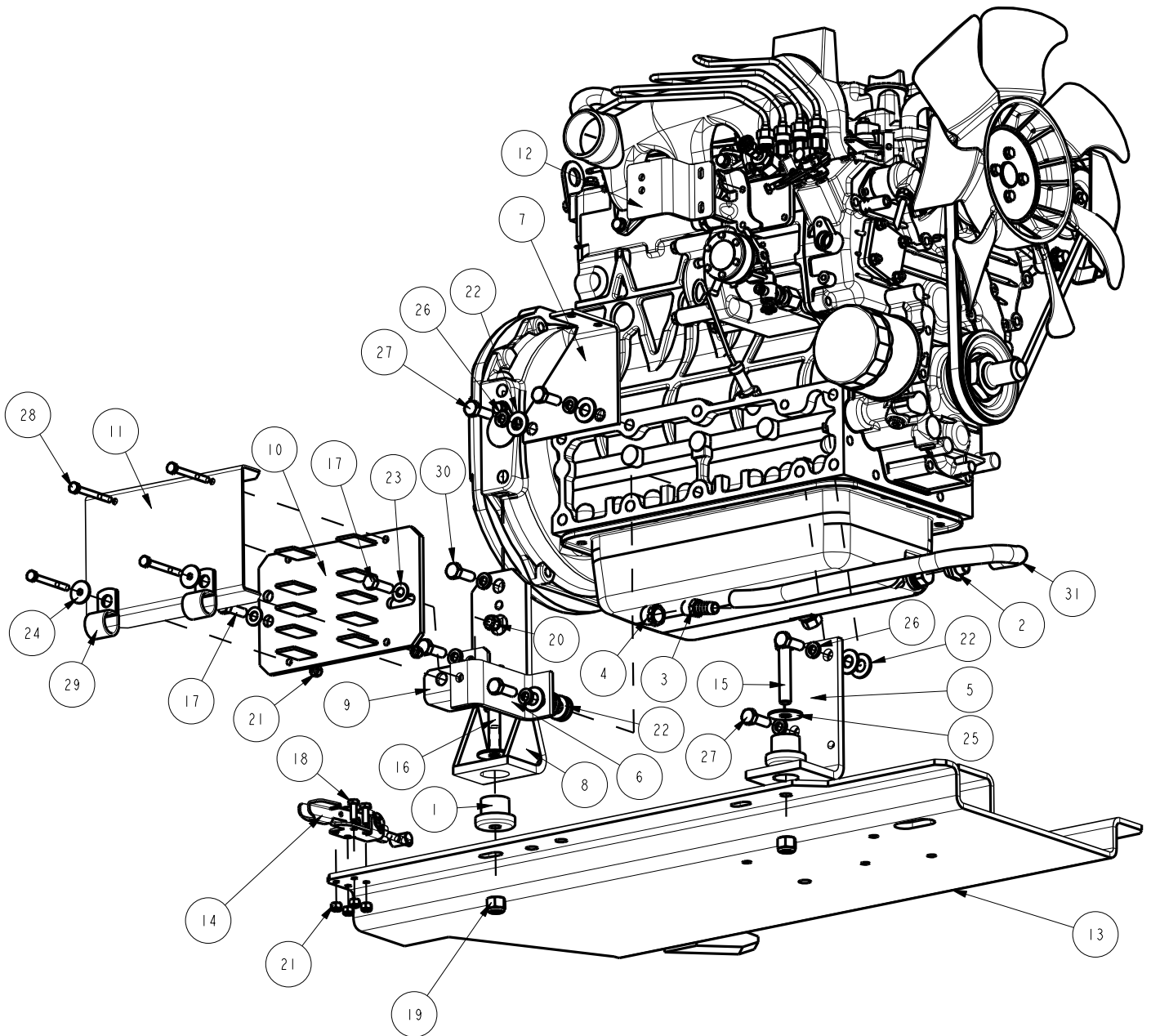


PARTS BREAKDOWN

2203 KUBOTA ENGINE - RADIATOR AND SENDERS			
ITEM	PART NO.	REQ'D	DESCRIPTION
1	3300387	1	SENDER-OIL PRESSURE 0-80 PSI
2	3300464	2	ISOLATOR - RUBBER, 1.24 DIAMx1.25 LG
3	3301441	1	SENDER-TEMP A12,A15,& KUBOTA
4	3301720	1	FTG-90 EL 1/8 FPT
5	3303255	4	CLAMP-HOSE 1 3/4 NOM.
6	3305640	1	FTG-NIPPLE 1/8BPT-1/8NPT BRASS
7	3307918	1	MNT-ENG-REAR INNER KBA PNTD
8	3315505	1	MNT-ENGINE KBA INNER
9	3332458	1	RAD/OIL COOLER, 10X, AL
10	3334426	1	ISOLATOR-RAD MOUNT 5/16-18
11	3334427	1	MOUNT - RAD UPPER KBA
12	3334429	1	MOUNT-RAD LOWER KBA 2203
13	3334994	1	WELD-ENGINE PAN, GM 1.6L, ARMA
14	3335591	1	MNT-BTM RAD, V2203 DSL
15	3337999	1	SHROUD-RAD. 10X
16	3341811	1	PAD-RADIATOR MOUNT 5550
17	3350282	2	HOSE-UPPER H25-4 CORE
18	3400019	2	SCR-HEX 1/2-13 X 2.50 ZP
19	3400029	2	SCR-HEX 3/8 -16X1.25 ZP
20	3400036	2	BOLT-HH 5/16-18X3/4
21	3400041	4	SCREW-HHM 1/4-20 X .875 LG ZP
22	3400065	2	NUT-HEX 1/2-13 ZP
23	3400070	2	NUT-HEX 5/16-18 ZP
24	3400078	2	NUT-HEX 1/2-13 ES ZP
25	3400079	2	NUT-HEX 3/8-16 ES ZP
26	3400088	4	WASHER 5/16 ID .688 OD X .065 THK
27	3400089	8	WASHER 1/4 ID .63 OD X .065 THK
28	3400091	4	WASHER-FENDER 1/2 ZP
29	3400098	6	WSR-LOCK 1/2, ZP
30	3400102	2	WSR-LOCK 5/16, ZP
31	3400103	4	WASHER-LOCK 1/4 SPLIT ZP
32	3400256	1	FTG-PIPE PLUG 1/4 MPT
33	3400278	4	WASHER-FENDER 3/8 ZP
34	3400296	2	SCR-HEX M12 X 1.25 X 30 MM, ZP
35	3401663	2	SCR-HEX M14-1.5 X 30 MM ZP

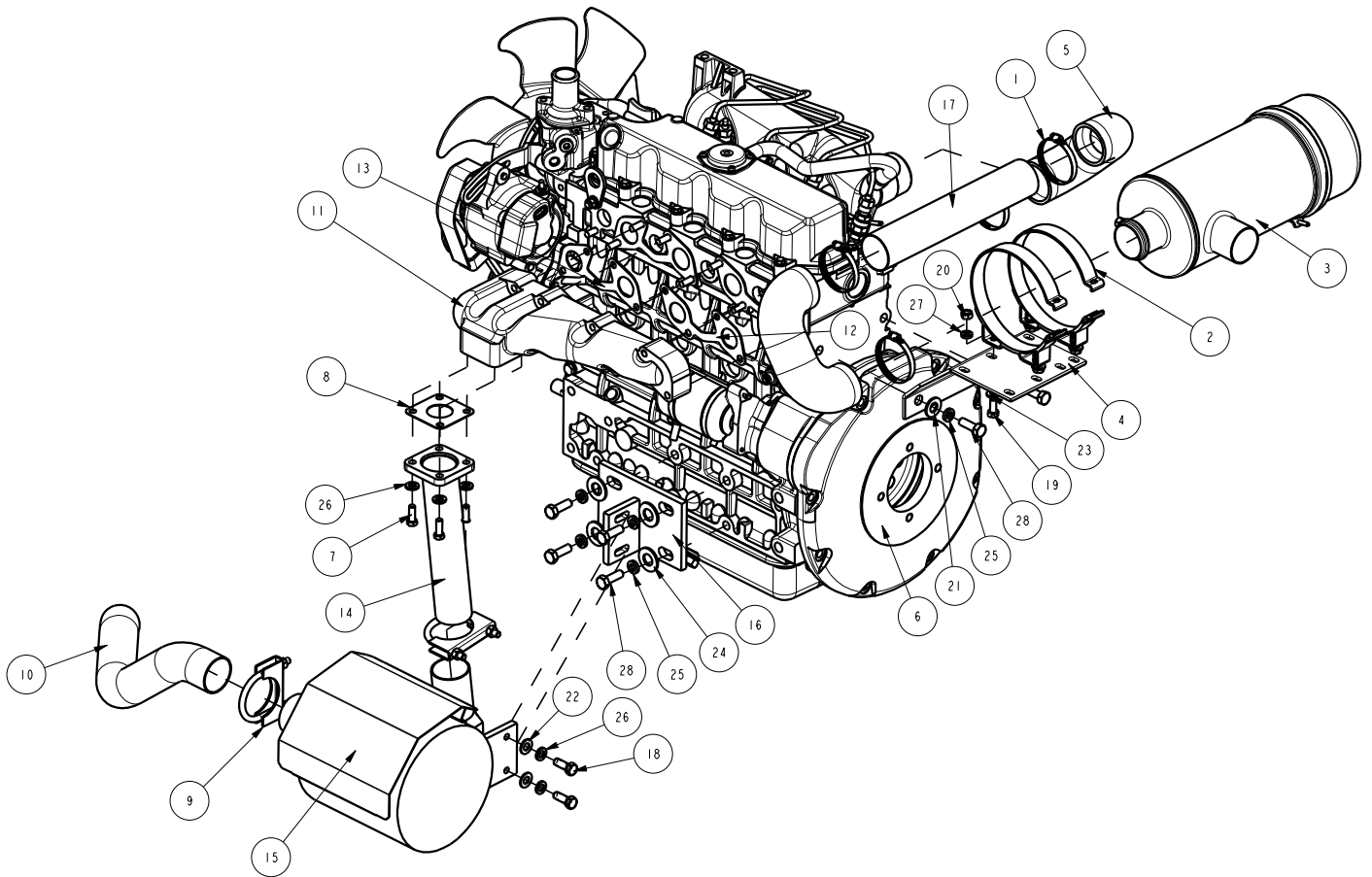
BOXES WITH --XXX-- ARE NOT AVAILABLE SEPARATELY & BLANKS ARE NOT USED IN VIEWS

2203 KUBOTA ENGINE - MOUNTS AND HOSE RETAINER



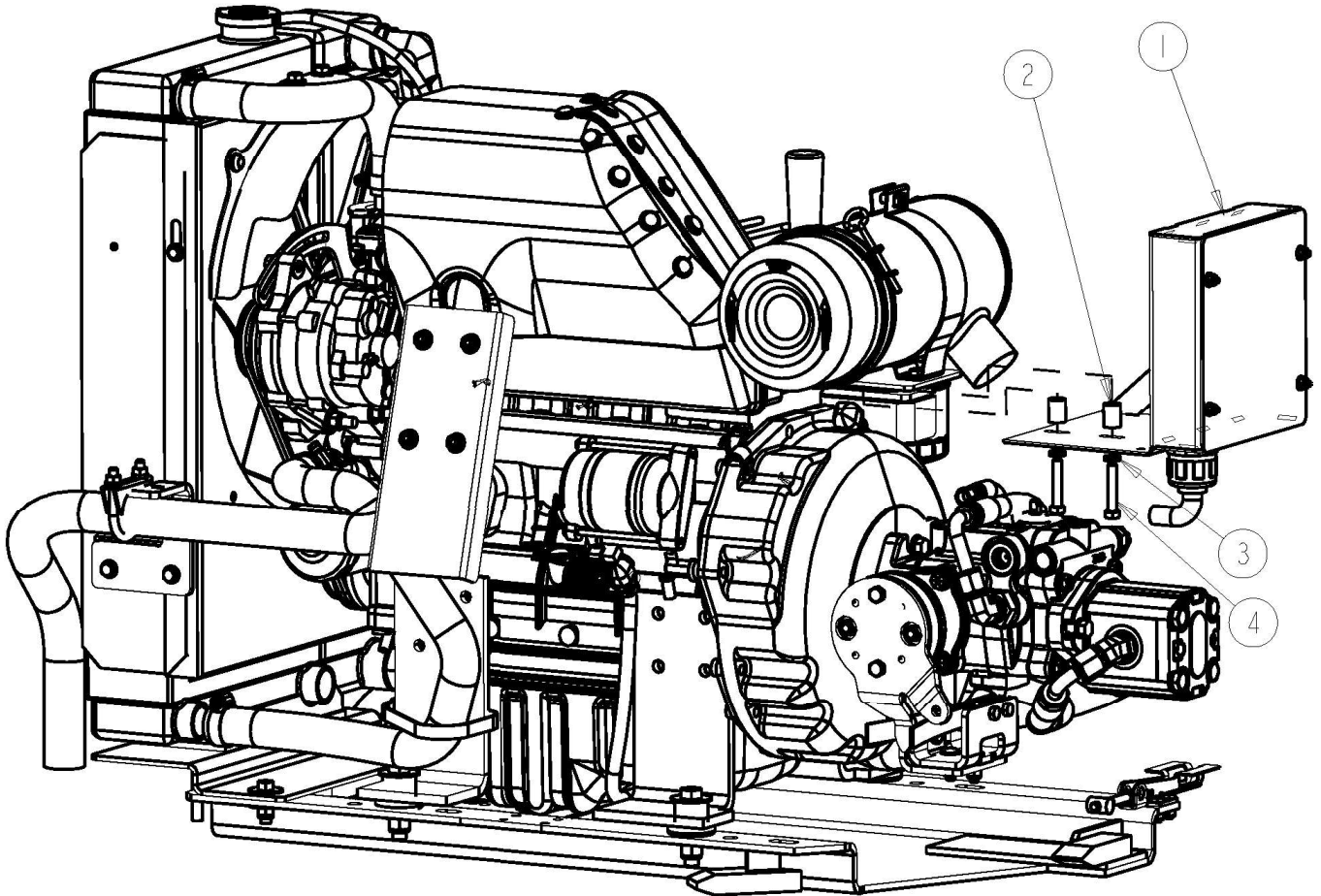
2203 KUBOTA ENGINE - MOUNTS AND HOSE RETAINER			
ITEM	PART NO.	REQ'D	DESCRIPTION
1	3300464	2	ISOLATOR - RUBBER, 1.24 DIAMx1.25 LG
2	3305251	1	FTG-OIL PAN DRAIN KUBOTA
3	3307829	1	FTG-HOSE BARB 1/2 X 3/8 MPT
4	3307830	1	FTG-CAP 3/8 FPT
5	3307919	1	MNT-ENG-REAR OUTER KBA PNTD
6	3307935	1	BRKT-HOSE RETAIN KBA DSL PNTD
7	3307955	1	MNT-FUEL FILTER KBA DSL PNTD
8	3315501	1	MNT-ENGINE KBA OUTER
9	3315508	1	MNT-HOSE RETAINER BRKT
10	3333302	1	WELD - HOSE RETAINER SW/A
11	3333303	1	COVER - HOSE RETAINER SHORT
12	3334083	1	BRKT-THROTTLE CABLE KBA 2203
13	3334994	1	WELD-ENGINE PAN, GM 1.6L, ARMA
14	3337544	1	LATCH - ENGINE SWING
15	3400019	1	SCR-HEX 1/2-13 X 2.50 ZP
16	3400020	1	SCR-HEX,1/2-13 X 2.00 ZP
17	3400029	2	SCR-HEX 3/8 -16X1.25 ZP
18	3400042	4	SCR-HEX 1/4-20X.75 ZP
19	3400078	2	NUT-HEX 1/2-13 ES ZP
20	3400079	2	NUT-HEX 3/8-16 ES ZP
21	3400081	8	NUT-HEX 1/4-20 ES ZP
22	3400086	11	WASHER-FLAT 1/2 STANDARD ZP
23	3400087	2	WASHER 3/8 ID .81 OD X .065 THK
24	3400090	2	WASHER 1/4 ID 1.0 OD X .074 THK
25	3400091	2	WASHER-FENDER 1/2 ZP
26	3400098	7	WSR-LOCK 1/2, ZP
27	3400296	5	SCR-HEX M12 X 1.25 X 30 MM, ZP
28	3400433	4	SCR-HEX,1/4-20X2.50 ZP
29	3400999	2	CLAMP- P TYPE 1 DIA, ZP VINYL COATED
30	3401663	2	SCR-HEX M14-1.5 X 30 MM ZP
31	3500135	1	HOSE-1/2 ID EEC-PCV
BOXES WITH --XXX-- ARE NOT AVAILABLE SEPARATELY & BLANKS ARE NOT USED IN VIEWS			

2203 KUBOTA ENGINE - AIR AND EXHAUST



2203 KUBOTA ENGINE - AIR AND EXHAUST			
ITEM	PART NO.	REQ'D	DESCRIPTION
1	3044112	4	CLAMP - HOSE, DIA. 2.5" SS
2	3300459	2	BAND-MTG AIR CLEANER PNTD BLK
3	3303031	1	AIR CLNR - HEAVY DUTY
-	3302842	1	ELEMENT-AIR CLNR/METAL (NOT SHOWN)
-	3302597	1	ELEMENT-AIR CLNR/METAL SAFETY (NOT SHOWN)
4	3315500	1	MNT-AIR CLEANER HAYES
5	3315676	2	HOSE-AIR INTAKE MANIF. ARMA
6	3321178	1	ENGINE PAN, GM 1.6L
7	3331507	4	BOLT-060
8	3332122	1	GASKET, MUFFLER
9	3335989	2	CLAMP-EXHAUST UNIVERSAL 2-1/8" DIA (SP)
10	3338212	1	TAILPIPE - 10X 2" DIA
11	3338422	1	MANIFOLD,EXHAUST
12	3338423	1	GASKET,EX-MANIFOLD
13	3338424	1	GASKET,EX-MANIFOLD
14	3338431	1	WDT-EXHAUST PIPE
15	3338432	1	MUFFLER
16	3338433	1	MUFFLER BRKT
17	3350248	1	TUBE-AIR INTAKE 10X
18	3400030	2	SCREW-HHM 3/8-16 X 1.0 LG ZP
19	3400036	4	BOLT-HH 5/16-18X3/4
20	3400070	4	NUT-HEX 5/16-18 ZP
21	3400086	2	WASHER-FLAT 1/2 STANDARD ZP
22	3400087	2	WASHER 3/8 ID .81 OD X .065 THK
23	3400088	4	WASHER 5/16 ID .688 OD X .065 THK
24	3400094	4	WASHER-FLAT 5/8 ZP
25	3400098	6	WSR-LOCK 1/2, ZP
26	3400101	6	WASHER-LOCK 3/8 SPLIT ZP
27	3400102	4	WSR-LOCK 5/16, ZP
28	3400296	6	SCR-HEX M12 X 1.25 X 30 MM, ZP
BOXES WITH --XXX-- ARE NOT AVAILABLE SEPARATELY & BLANKS ARE NOT USED IN VIEWS			

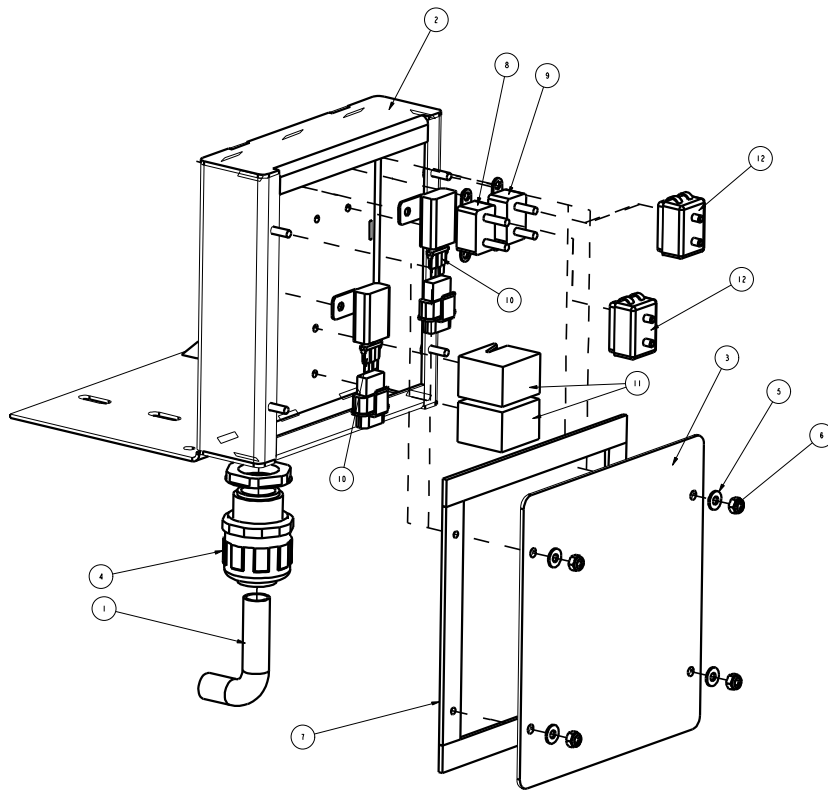
2203 KUBOTA ENGINE - FUSE PANEL



2203 KUBOTA ENGINE - FUSE PANEL			
ITEM	PART NO.	REQ'D	DESCRIPTION
1	3336080	1	ASSY-FUSE BOX COMPLETE
2	3342109	2	SPACER
3	3400102	2	WASHER
4	3401513	2	BOLT

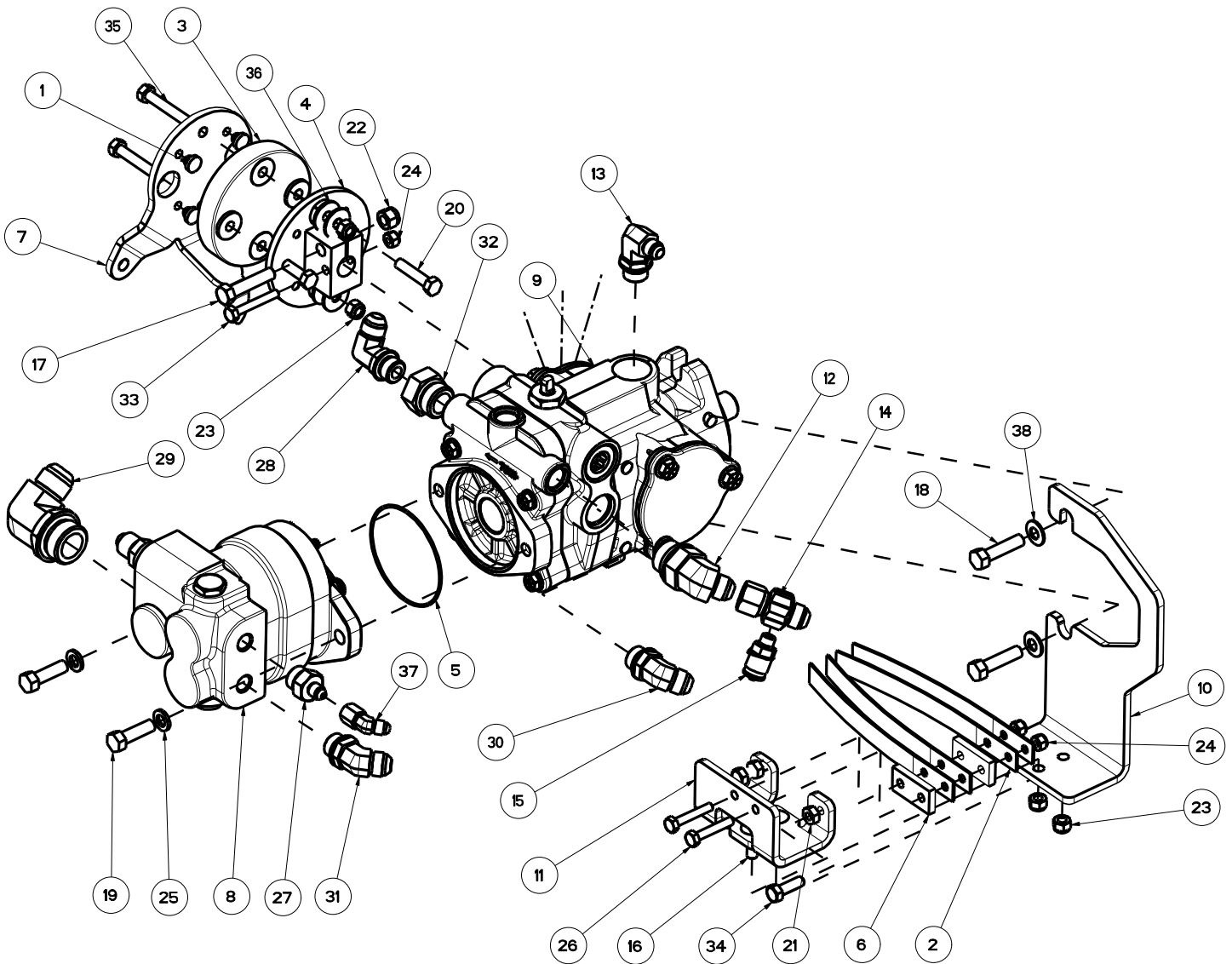
BOXES WITH --XXX-- ARE NOT AVAILABLE SEPARATELY & BLANKS ARE NOT USED IN VIEWS

2203 KUBOTA ENGINE - FUSE BOX DETAIL



2203 KUBOTA ENGINE - FUSE BOX DETAIL			
ITEM	PART NO.	REQ'D	DESCRIPTION
1	3335664	1	KIT-PANEL W/WIRING HARNESS (Includes Items 8-11)
2	3336073	1	WELD-FUSE BOX
3	3336077	1	PLT-COVER FUSE BOX
4	3336079	1	FTG-CONDUIT 1" FLEX CONNECTOR
5	3400095	4	WASHER-FLAT #10 ZP
6	3400172	4	NUT-HEX JAM #10-32 ES ZP
7	3500246	2.375'	GASKET-OPEN CELL, 1/8x3/4
8	3334051	1	BREAKER-40 AMP DIESEL
9	3334052	1	BREAKER-30 AMP DIESEL
10	3335329	2	FUSE - 10 AMP
11	3344053	2	RELAY-SPDT DIESEL
12	3342910	2	BOOT-INSULATOR-RED FOR CIRCUIT BREAKER
BOXES WITH --XXX-- ARE NOT AVAILABLE SEPARATELY & BLANKS ARE NOT USED IN VIEWS			

2203 KUBOTA ENGINE - HYDRAULIC PUMP DETAIL



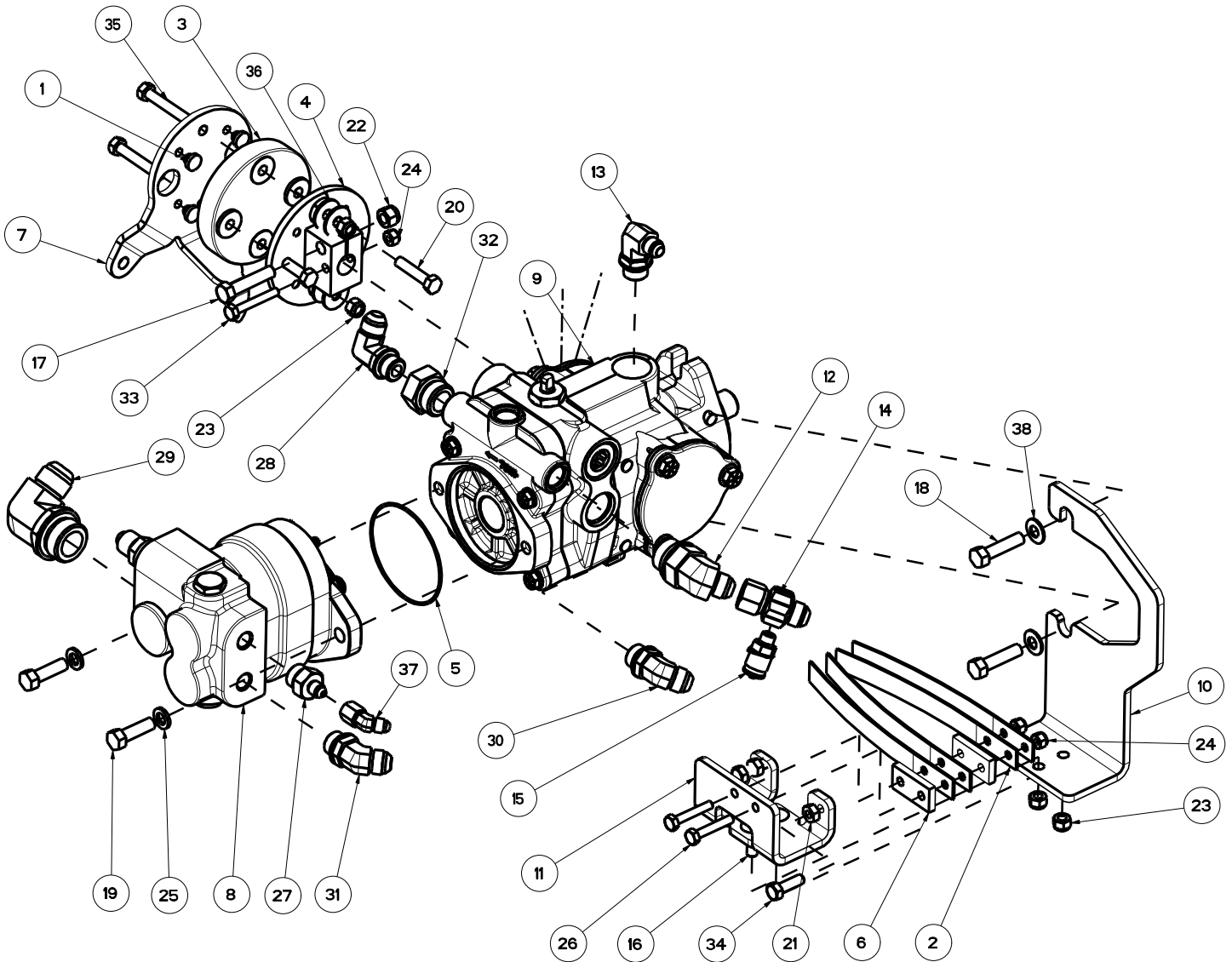
PARTS BREAKDOWN

2203 KUBOTA ENGINE - HYDRAULIC PUMP DETAIL

ITEM	PART NO.	REQ'D	DESCRIPTION
1	3300526	8	BUMPER-RUBBER 1/4 ID X 1/8 THK
2	3300543	4	SPRING-FWD/REV RETURN
3	3301507	1	COUPLING-RUBBER, DIR CONTROL
4	3301544	1	WELD-DISC FWD/REV
5	3303711	1	O RING-STATIC SEAL 3.239 ID
6	3303918	2	SPACER-FWD/REV BRACKET
7	3307219	1	PLT-DIRECTIONAL CONT PLTD
8	3321397	1	PUMP-HYDRAULIC AUX W/FLOW DIVIDER
-	3321399	1	KIT-SEAL AUX PUMP
9	3335072	1	PUMP-PISTON, VARIABLE, 1.44 CI
-	3344553	1	SEAL REPAIR KIT FOR MAIN PUMP
10	3335200	1	PLT - FWD/REV SPRING MNT V1505
11	3335301	1	BRACKET - FWD/REV . 9X
12	3335709	1	FTG-45° 1-1/16-12 X 1/2", STR#12-JIC37°#8
13	3341130	1	FTG-90 3/4-16 TO #6
14	3342204	1	FTG-GAUGE PORT
15	3342205	1	COUPLING-TEST 4 MALE 0-ROMG (7/16-20)
16	3400009	2	SCR-CAR,5/16-18X1.00
17	3400027	1	SCR-HEX,3/8-16X1.75
18	3400028	2	SCR-HEX,3/8-16x1.50
19	3400029	2	SCR-HEX, 3/8-16x1.25
20	3400033	2	SCR-HEX,5/16-18X1.50
21	3400069	2	NUT-HEX 5/16-24
22	3400079	1	NUT-HEX 3/8-16 ES
23	3400080	6	NUT-HEX 5/16-18 ES
24	3400081	3	NUT-HEX 1/4-20 ES
25	3400101	2	WASHER-LOCK 3/8 SPLIT
26	3400149	2	SCR-HEX,1/4-20x1.50
27	3400150	1	FTG-STR 3/4-16 TO #4
28	3400154	1	FTG-90 3/4-16 TO #8
29	3400156	1	FTG-90 1 5/16-12 TO #16
30	3400157	1	FTG-45° 3/4-16 TO #8

BOXES WITH --XXX-- ARE NOT AVAILABLE SEPARATELY & BLANKS ARE NOT USED IN VIEWS

2203 KUBOTA ENGINE - HYDRAULIC PUMP DETAIL (CONTUIED)



PARTS BREAKDOWN**2203 KUBOTA ENGINE - HYDRAULIC PUMP DETAIL (CONTUIED)**

ITEM	PART NO.	REQ'D	DESCRIPTION
31	3400158	1	FTG-45° 7/8-14 TO #8
32	3400167	1	FTG-ADAPTER 1 1/6-12 EXT
33	3400173	1	SCR-HEX,1/4-20X1.75
34	3400221	2	SCR-HEX,5/16-24X1.00
35	3400231	2	SCR-HEX,5/16-18X2.0
36	3400233	4	WASHER-FENDER 5/16 1.00 OD
37	3400248	1	FTG-SWIVEL 45 ELL #4JIC 1/4
38	3400385	2	WASHER-CONICAL SPRING 3/8

BOXES WITH --XXX-- ARE NOT AVAILABLE SEPARATELY & BLANKS ARE NOT USED IN VIEWS