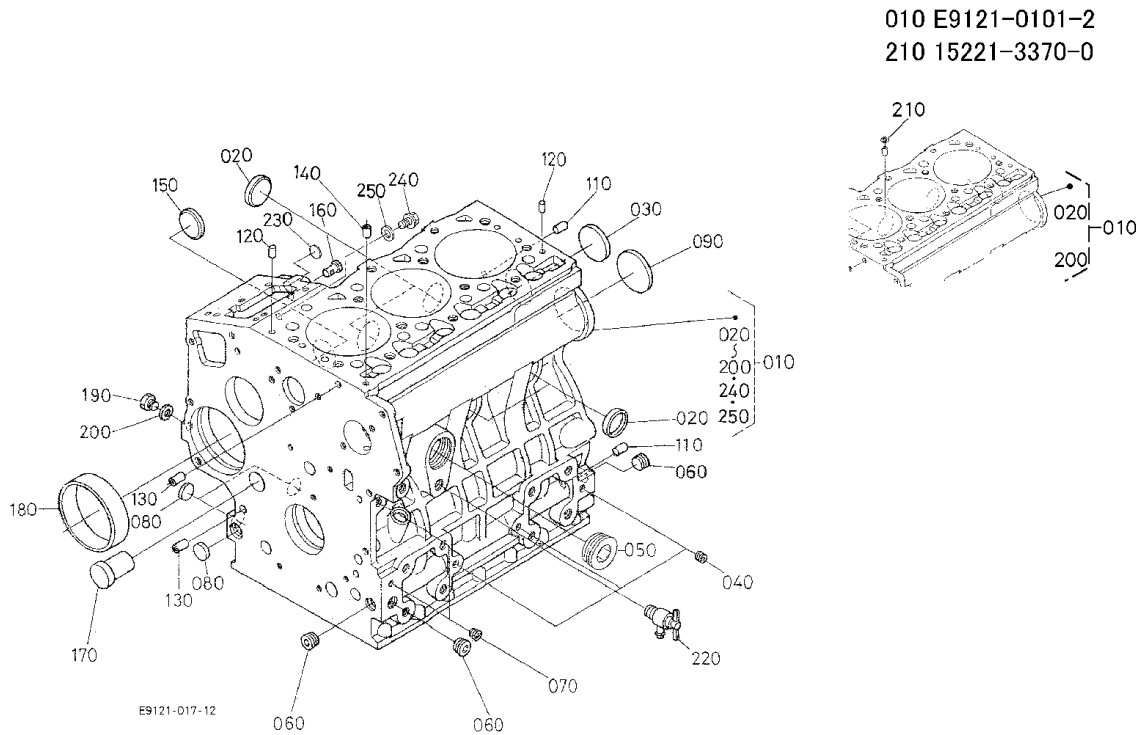


DF1005-E2BBH -> ENGINE -> 000100 CRANK CASE

Update Date: 14/11/2014, Printing Date: 23/07/2015



E9121-801-11

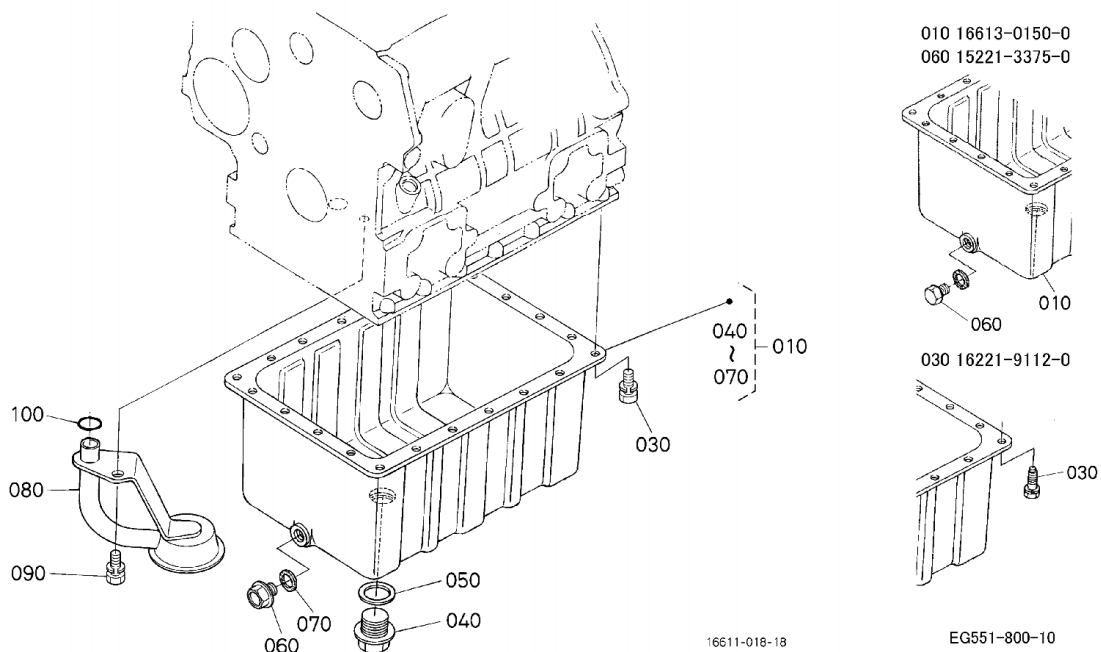
Interchangeable =, Not Interchangeable NI, New for Old >>, Old for New <<

No	Part Number	Part Name	Qty	IC	S/N	Remarks	Kg
010	E9121-01013	COMP.CRANKCASE	1		<=3K1851	ORDER BY REF.No. 010,240 and 250 NEW PARTS.	0,0
010	E9121-01014	COMP.CRANKCASE	1	>>	>=3L0007		31,5
010	E9121-01015	COMP.CRANKCASE	1	=			0,0
010	E9121-01016	ASSY CRANKCASE	1	>>	>=8Y0001		0,0
020	15451-96270	CAP,SEALING	4				0,01
030	15221-03490	CAP,SEALING	1				0,02
040	15261-96010	PLUG	3				0,002
050	16683-96020	PLUG	1				0,088
060	16241-96010	PLUG	3				0,007
070	15521-96020	PLUG	2				0,003
080	17391-96160	PLUG,EXPANSION	3				0,003
090	16271-96160	PLUG,EXPANSION	1				0,025
110	16221-94531	PIN,STRAIGHT	2				0,0
110	05012-00814	PIN,STRAIGHT	2	=			0,006
120	16221-94521	PIN,STRAIGHT	2				0,0
120	05012-00610	PIN,STRAIGHT	2	=			0,003
130	15231-33960	PIN,PIPE	2				0,001
140	16241-33650	PIN,PIPE	1				0,002
150	16241-96262	PLUG,FUEL CAMSHAFT	1				0,007

No	Part Number	Part Name	Qty	IC	S/N	Remarks	Kg
160	16261-56280	PIN(START SPRING)	1				0.004
170	16282-96010	PLUG	1				0.09
180	16271-55350	BUSH,GOVERNOR GEAR	1				0.06
190	15221-33610	PLUG	1		<=9VZ999		0.009
190	1G896-33610	PLUG	1	NI	>=9W0001		0.008
200	15021-33660	PACKING	1				0.001
210	15221-33700	O RING	1		<=4Z0548		0.001
220	15841-73020	COCK,ASSY(DRAIN)	1				0.03
220	16871-73020	COCK,ASSY(DRAIN)	1	=			0.034
230	06311-85025	CAP,SEALING	1				0.01
240	01754-50610	BOLT,FLANGE	1		>=3L0007		0.006
250	15601-96650	PACKING	1		>=3L0007		0.001

DF1005-E2BBH -> ENGINE -> 000200 OIL PAN

Update Date: 14/11/2014, Printing Date: 23/07/2015

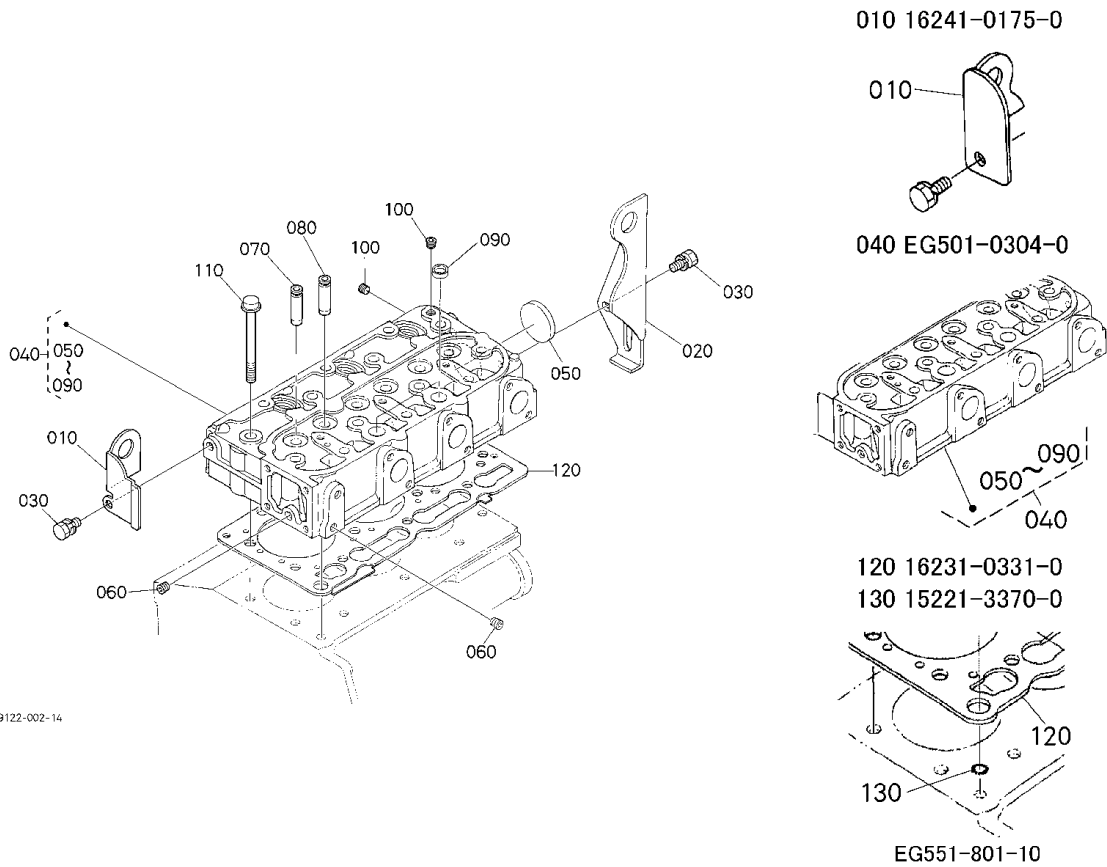


Interchangeable =, Not Interchangeable NI, New for Old >>, Old for New <<

No	Part Number	Part Name	Qty	IC	S/N	Remarks	Kg
010	16613-01500	COMP.OIL PAN	1		<=5U1829		1.6
010	16613-01605	KIT OIL PAN	1	>>	>=5W2189		1.7
030	01023-50612	BOLT,SEMS	22		<=2S9607		0.005
030	16221-91121	BOLT	22	>>	>=2U0004		0.0
030	01023-50614	BOLT,SEMS	22	>>	>=6E0001		0.005
040	15707-33750	PLUG(DRAIN)	1				0.095
050	15451-96670	PACKING	1		<=5U1829		0.003
050	16265-96670	PACKING	1	>>	>=5W2189		0.005
060	15221-33750	PLUG	1		<=4J8648		0.032
060	16326-33751	PLUG(DRAIN)	1	=	>=4L0001		0.0
060	13901-33750	PLUG,DRAIN	1	>>	>=6Q0001		0.025
070	6C090-58960	GASKET	1				0.005
080	16226-32110	FILTER,OIL	1		<=5W2491		0.28
080	16226-32114	FILTER,OIL	1	>>	>=6C3950		0.28
090	01123-50816	BOLT,SEMS	1				0.011
100	04814-00160	O RING	1				0.001

DF1005-E2BBH -> ENGINE -> 000300 CYLINDER HEAD

Update Date: 14/11/2014, Printing Date: 23/07/2015



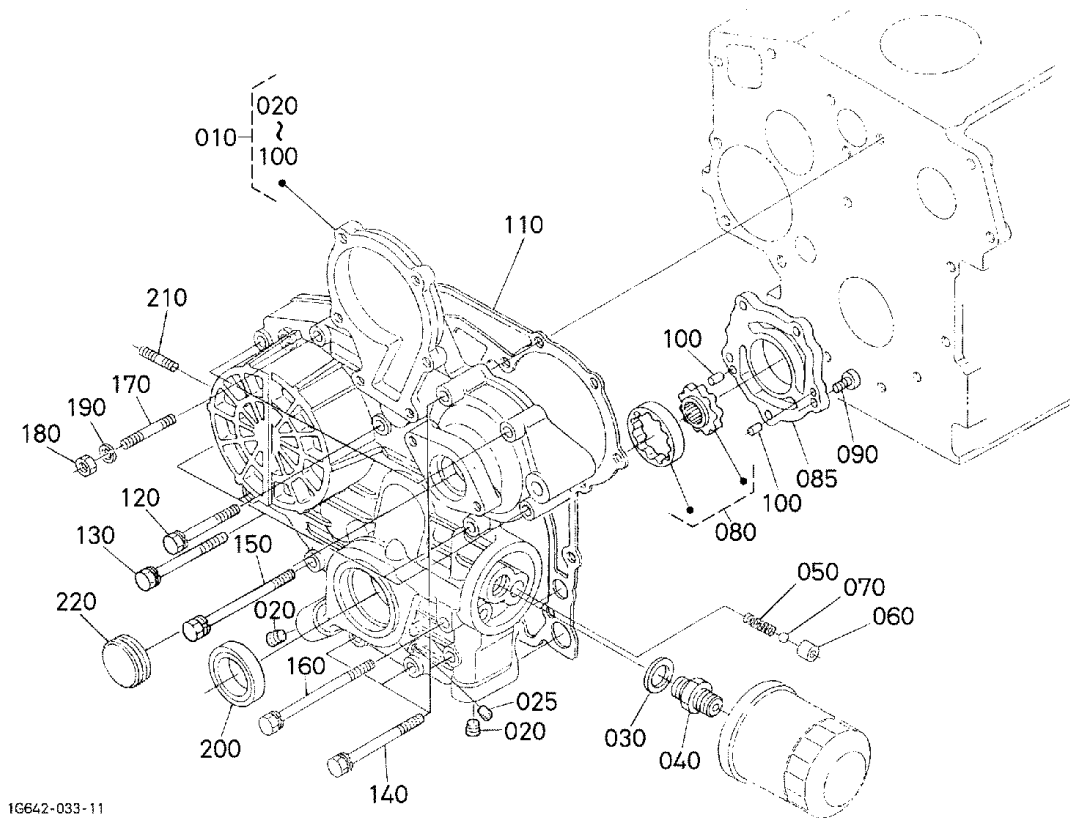
Interchangeable =, Not Interchangeable NI, New for Old >>, Old for New <<

No	Part Number	Part Name	Qty	IC	S/N	Remarks	Kg
010	16241-01750	HOOK,ENGINE	1		<=7VZ999		0.08
010	16241-01753	HOOK,ENGINE	1	>>	>=7W0001		0.14
020	16241-01770	HOOK,ENGINE	1				0.175
030	01123-50814	BOLT,SEMS	2				0.01
040	E9121-03040	COMP.CYLINDER HEAD	1		<=4E9526		0.0
040	EG501-03041	COMP.CYLINDER HEAD	1	>>	>=4G0001		0.0
040	EG501-03042	COMP.CYLINDER HEAD	1	>>	>=6U0001		15.0
040	EG501-03043	COMP.CYLINDER HEAD	1	>>	>=7A0001		14.0
050	15321-96260	CAP,SEALING	1				0.014
060	15261-96010	PLUG	2				0.002
070	16241-13541	GUIDE,INLET VALVE	3		<=4G9966		0.0
070	16261-13540	GUIDE,INLET VALVE	3	=	>=4J0001		0.02
080	16241-13561	GUIDE,EXHAUST VALVE	3		<=4G9966		0.0
080	16261-13560	GUIDE,EXHAUST VALVE	3	=	>=4J0001		0.019
090	15261-03370	CAP,SEALING	2				0.005
100	15841-96020	PLUG	2				0.02
110	16241-03450	BOLT,HEAD(CYLINDER)	14				0.05
120	16231-03310	GASKET,CYLINDER HEAD	1		<=4Z0548		0.07

No	Part Number	Part Name	Qty	IC	S/N	Remarks	Kg
120	1G040-03310	GASKET,CYLINDER HEAD	1	NI	>=5A0001		0.15
130	15221-33700	O RING	1		<=4Z0548		0.001

DF1005-E2BBH -> ENGINE -> 000400 GEAR CASE

Update Date: 14/11/2014, Printing Date: 23/07/2015



16642-033-11

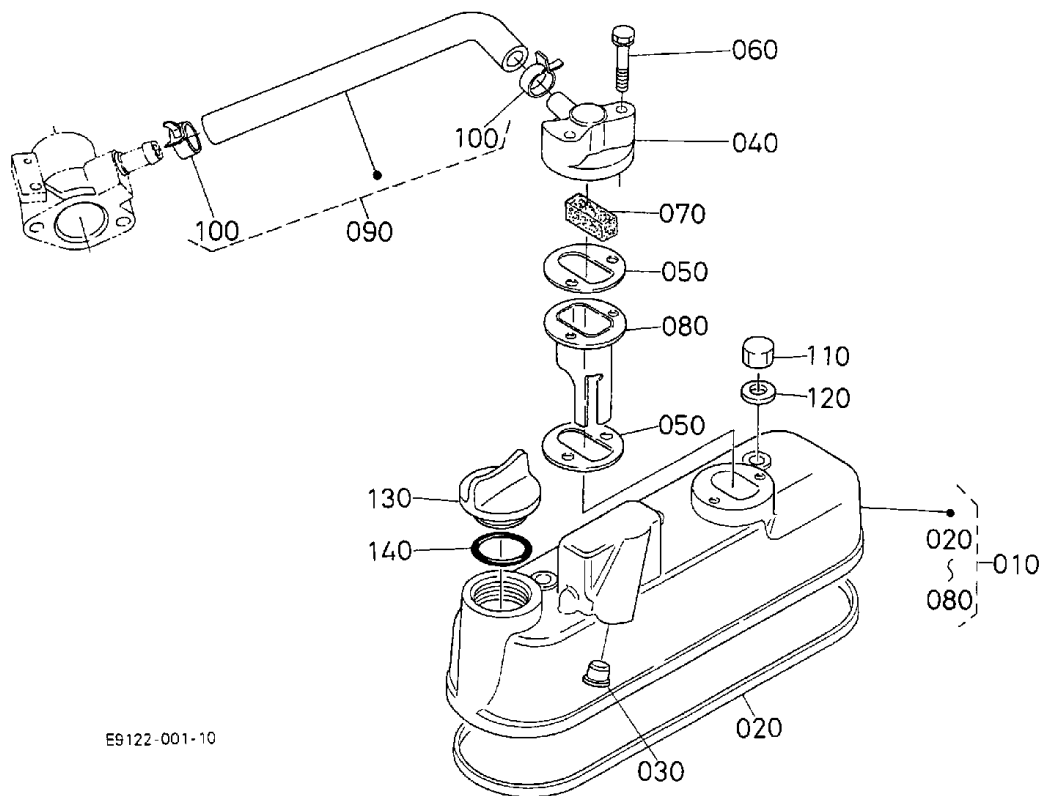
Interchangeable =, Not Interchangeable NI, New for Old >>, Old for New <<

No	Part Number	Part Name	Qty	IC	S/N	Remarks	Kg
010	16251-04027	COMP.CASE,GEAR	1		<=5D0157		2,5
010	16252-04021	COMP.CASE,GEAR	1	=	>=5E0001		0,0
010	16252-04022	CASE,GEAR,COMP	1	>>	>=5G5764		2,46
020	16241-96020	PLUG	2				0,015
025	15521-96020	PLUG	1				0,003
030	04011-50180	WASHER,PLAIN	1				0,012
040	15241-32290	JOINT,PIPE	1				0,053
050	16241-36950	SPRING	1				0,015
060	16241-36930	SEAT,VALVE	1				0,032
070	07715-00201	BALL	1				0,008
080	16241-35070	ROTOR,ASSY(OIL PUMP)	1				0,27
085	16251-35130	COVER,OIL PUMP	1				0,09
090	03017-50620	SCREW,BINDING(PHILLIPS)	5				0,005
100	05012-00410	PIN,STRAIGHT	2				0,001
110	16264-04132	GASKET,GEAR CASE	1				0,01
120	01023-50645	BOLT,SEMS	3				0,01
130	01023-50650	BOLT,SEMS	4				0,012
140	01023-50655	BOLT,SEMS	4				0,012
150	01023-50665	BOLT,SEMS	1				0,015
160	16241-91040	BOLT	1				0,015
170	16245-91530	STUD	1				0,01

No	Part Number	Part Name	Qty	IC	S/N	Remarks	Kg
180	02056-50060	HEX.NUT	1				0.002
190	04512-50060	WASHER,SPRING LOCK	1				0.001
200	16241-04212	SEAL,OIL	1				0.012
210	16245-91540	STUD	2				0.005
220	16264-83342	COVER,GEAR CASE	1				0.01

DF1005-E2BBH → ENGINE → 000500 HEAD COVER

Update Date: 14/11/2014, Printing Date: 23/07/2015



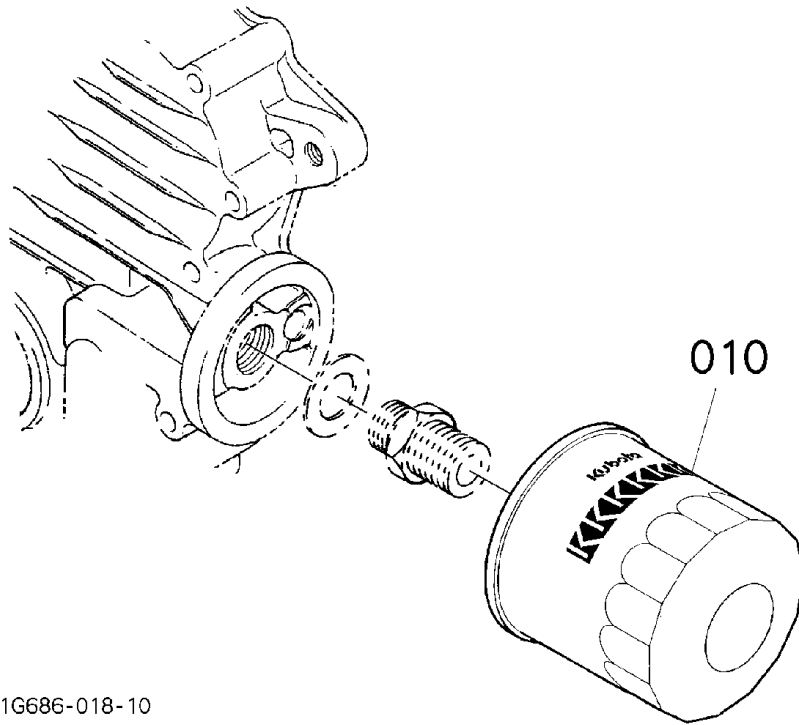
ES122-001-10

Interchangeable =, Not Interchangeable NI, New for Old >>, Old for New <<

No	Part Number	Part Name	Qty	IC	S/N	Remarks	Kg
010	E9121-14500	ASSY COVER,CYL.HEAD	1				0.81
020	16261-14520	GASKET(COVER,HEAD)	1				0.01
030	16259-96010	PLUG	1				0.02
040	EG261-05420	COVER,BREATHER	1				0.047
050	17524-05130	GASKET	2				0.001
060	01023-50635	BOLT,SEMS	2				0.01
070	15841-05670	ELEMENT(BREATHER)	1				0.01
080	16259-14490	PLATE,BREATHER	1				0.017
090	E9121-05500	ASSY PIPE,BREATHER	1				0.06
100	16241-73360	BAND,PIPE	2				0.003
110	15952-92330	NUT,CAP	3				0.01
120	15951-96660	PACKING	3				0.001
130	E9151-33140	PLUG(OIL FILLER)	1				0.017
140	04814-50300	O RING	1				0.001

DF1005-E2BBH -> ENGINE -> 000600 OIL FILTER

Update Date: 14/11/2014, Printing Date: 23/07/2015



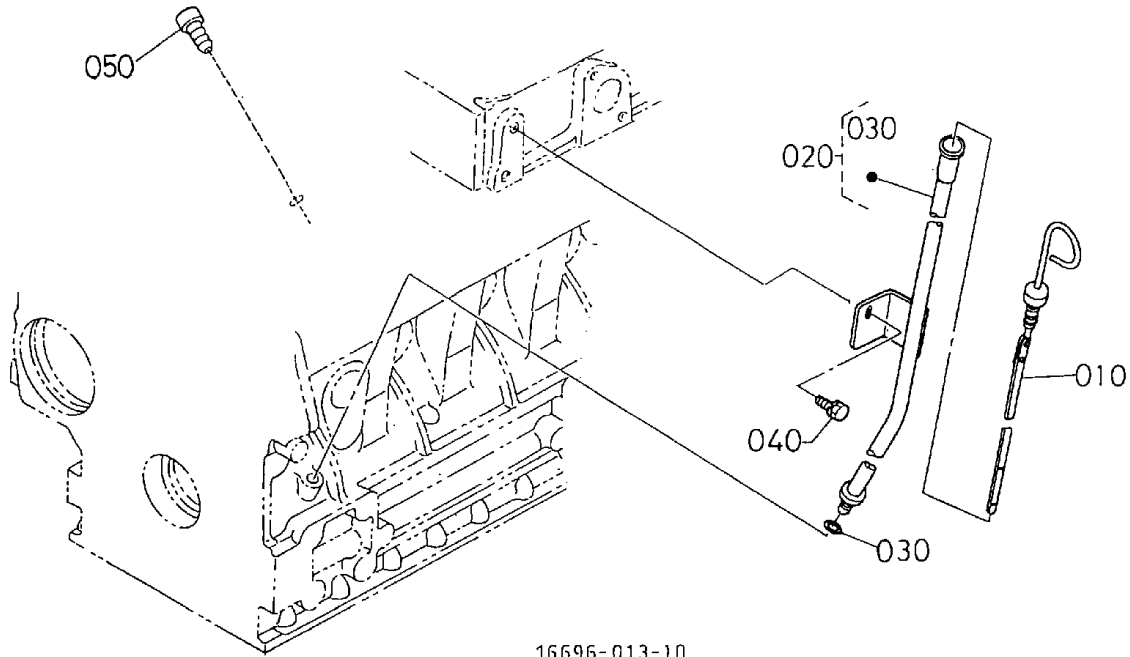
1G686-018-10

Interchangeable =, Not Interchangeable NI, New for Old >>, Old for New <<

No	Part Number	Part Name	Qty	IC	S/N	Remarks	Kg
010	15241-32091	ASSY CARTRIDGE,OIL	1		<=6C4423		0.0
010	15241-32094	ASSY CARTRIDGE,OIL F	1	>>	>=6E0001		0.35
010	HH150-32094	FILTER(CARTRIDGE,OIL	1	>>			0.3

DF1005-E2BBH -> ENGINE -> 000700 DIPSTICK AND GUIDE

Update Date: 14/11/2014, Printing Date: 23/07/2015

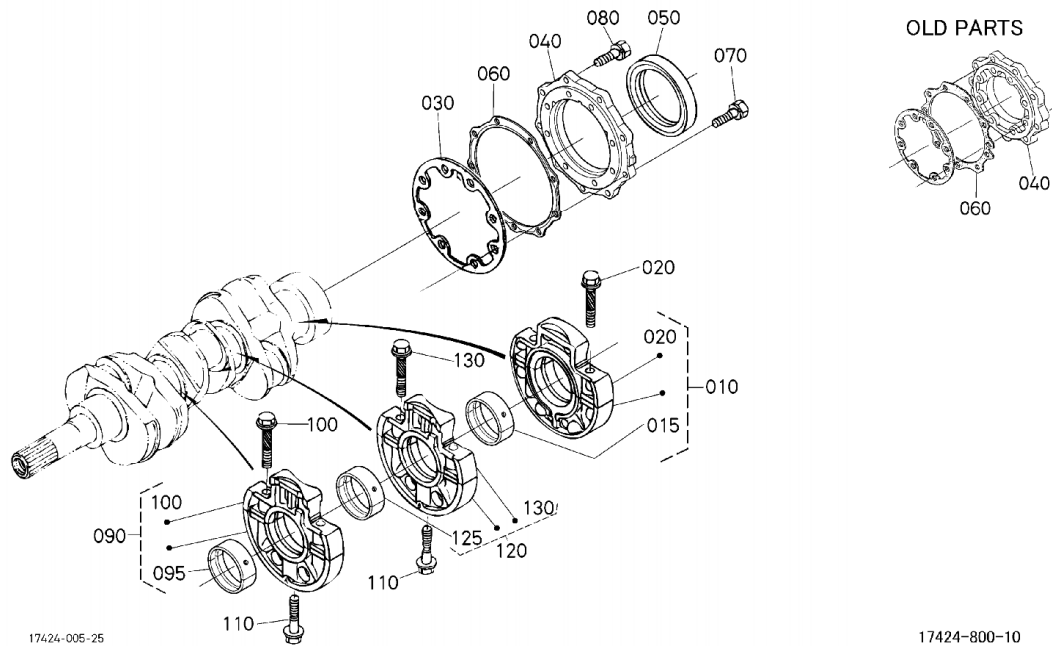


Interchangeable =, Not Interchangeable NI, New for Old >>, Old for New <<

No	Part Number	Part Name	Qty	IC	S/N	Remarks	Kg
010	16611-36412	GAUGE,OIL	1		<=4J8648		0,028
010	16611-36413	GAUGE,OIL	1	>>	>=4L0001		0,028
020	16282-36500	ASSY GUIDE,OIL GAUGE	1				0,11
030	04814-00090	O RING	1				0,001
040	01123-50814	BOLT,SEMS	1				0,01
050	1C010-36550	PLUG,OIL GAUGE	1		<=4T1477		0,005
050	1G513-36550	PLUG,OIL GAUGE	1	=	>=4U0001		0,004

DF1005-E2BBH -> ENGINE -> 010000 MAIN BEARING CASE

Update Date: 14/11/2014, Printing Date: 23/07/2015



17424-800-10

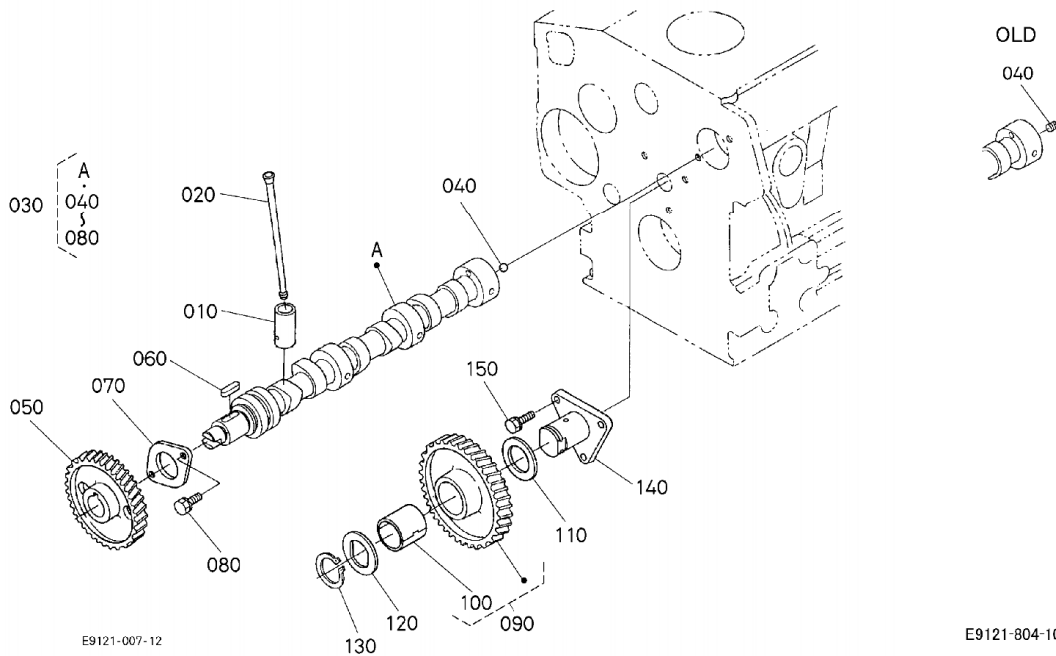
Interchangeable =, Not Interchangeable NI, New for Old >>, Old for New <<

No	Part Number	Part Name	Qty	IC	S/N	Remarks	Kg
010	16292-07095	CASE,BRG,ASSY(WHEEL)	1				1,1
015	16292-23491	METAL,CRANKSHAFT	1		<=5W2491	STD SET	0,0
015	16292-23493	METAL,CRANKSHAFT	1	>>	>=6C3950	STD SET	0,07
015	16292-23494	METAL,CRANKSHAFT	1	>>	>=6E0001	STD SET	0,07
020	16241-04540	BOLT(CASE,BRG)	2				0,02
030	16264-04360	GASKET,BRG.CASE	1				0,002
040	16241-04813	COVER,BEARING CASE	1		<=6C4423		0,22
040	16241-04815	COVER(CASE,BRG)	1	NI	>=6E0001		0,22
050	16241-04461	SEAL,OIL	1		<=5U1829		0,0
050	16285-04461	SEAL,OIL	1	>>	>=5W2189		0,0
060	16264-04821	GASKET	1		<=6C4423		0,0
060	16264-04822	GASKET	1	NI	>=6E0001		0,008
070	01023-50625	BOLT,SEMS	8				0,007
080	01023-50620	BOLT,SEMS	9				0,006
090	16261-07040	ASSY BRG.CASE,MAIN	1		<=6C4423		0,88
090	16261-07045	CASE,BRG,ASSY(MAIN)	1	>>	>=6E0001		0,86
090	16261-07047	ASSY BRG.CASE,MAIN	1	>>	>=AU0001		0,86
095	16241-23480	METAL,CRANKSHAFT	1		<=ATZ999	STD SET	0,05
095	16292-23483	METAL,CRANKSHAFT	1	>>	>=AU0001	STD SET	0,05
100	16241-04540	BOLT(CASE,BRG)	2				0,02
110	16241-04560	BOLT(CASE,BRG)	2				0,03
120	16261-07050	ASSY BRG.CASE,MAIN	1		<=6C4423		0,88
120	16261-07055	CASE,BRG,ASSY(MAIN)	1	>>	>=6E0001		0,8
120	16261-07057	ASSY BRG.CASE,MAIN	1	>>	>=AU0001		0,8
125	16241-23480	METAL,CRANKSHAFT	1		<=ATZ999	STD SET	0,05

No	Part Number	Part Name	Qty	IC	S/N	Remarks	Kg
125	16292-23483	METAL,CRANKSHAFT	1	>>	>=AU0001	STD SET	0.05
130	16241-04540	BOLT(CASE,BRG)	2				0.02

DF1005-E2BBH -> ENGINE -> 010100 CAMSHAFT AND IDLE GEAR SHAFT

Update Date: 14/11/2014, Printing Date: 23/07/2015



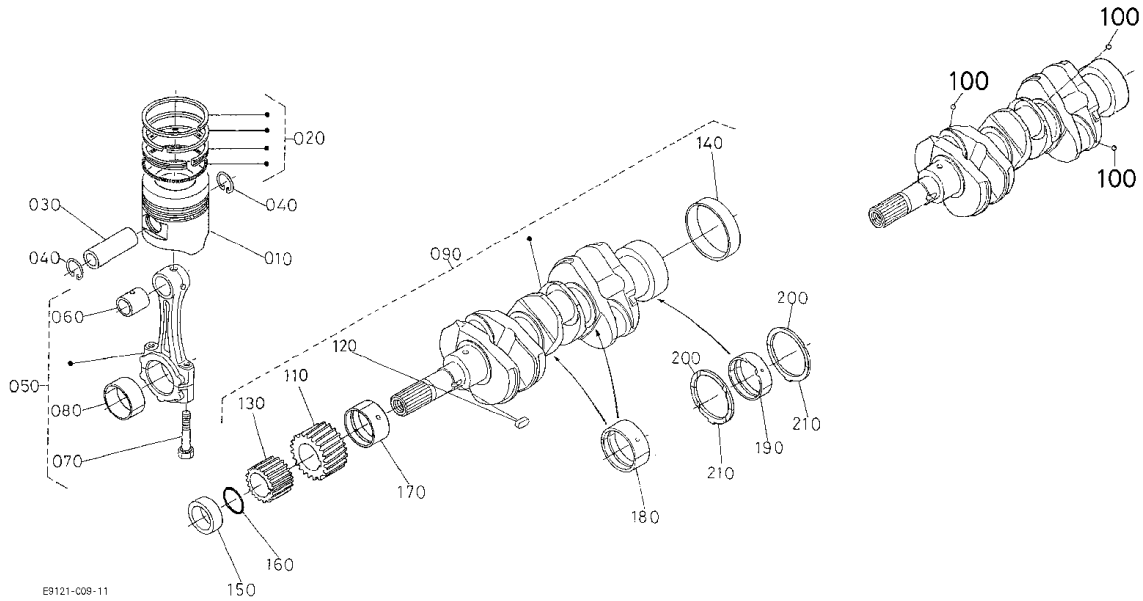
Interchangeable =, Not Interchangeable NI, New for Old >>, Old for New <<

No	Part Number	Part Name	Qty	IC	S/N	Remarks	Kg
010	16261-15550	TAPPET	6		<=6C4423		0.035
010	1G673-15550	TAPPET	6	>>	>=6E0001		0.035
020	16241-15110	ROD,PUSH	6				0.03
020	16241-15114	PUSH ROD	6	=			0.028
030	1E010-16011	ASSY CAMSHAFT	1		<=4J8648		0.0
030	1E010-16910	ASSY CAMSHAFT	1	>>	>=4L0001		1.56
030	1E010-16912	ASSY CAMSHAFT	1	NI	>=9S0001		1.56
040	15521-93610	SCREW,SET	1		<=9RZ999		0.002
040	07715-00401	BALL 1/4	1	NI	>=9S0001		0.001
050	16241-16510	GEAR,CAM	1				0.45
060	05712-00518	FEATHER KEY	1				0.003
070	16241-16270	STOPPER(CAMSHAFT)	1				0.04
080	01023-50616	BOLT,SEMS	2				0.005
090	16271-24011	COMP GEAR.IDLE	1		<=8XZ999		0.0
090	16271-24012	COMP GEAR,IDLE	1	>>	>=8Y0001		0.6
100	16271-24980	BUSH,IDLE GEAR	1		<=8XZ999		0.02
100	16271-24982	BUSH,IDLE GEAR	1	>>	>=8Y0001		0.02
110	16241-24360	COLLAR,IDLE GEAR	1				0.01
120	16241-24370	COLLAR,IDLE GEAR	1				0.012
130	16241-24320	CIR CLIP,IDLE GEAR	1				0.003
140	16241-24250	SHAFT,IDLE GEAR	1				0.255
150	01023-50616	BOLT,SEMS	3				0.005

DF1005-E2BBH → ENGINE → 010200 PISTON AND CRANKSHAFT

Update Date: 14/11/2014, Printing Date: 23/07/2015

100-07715-00401



16221-812-20

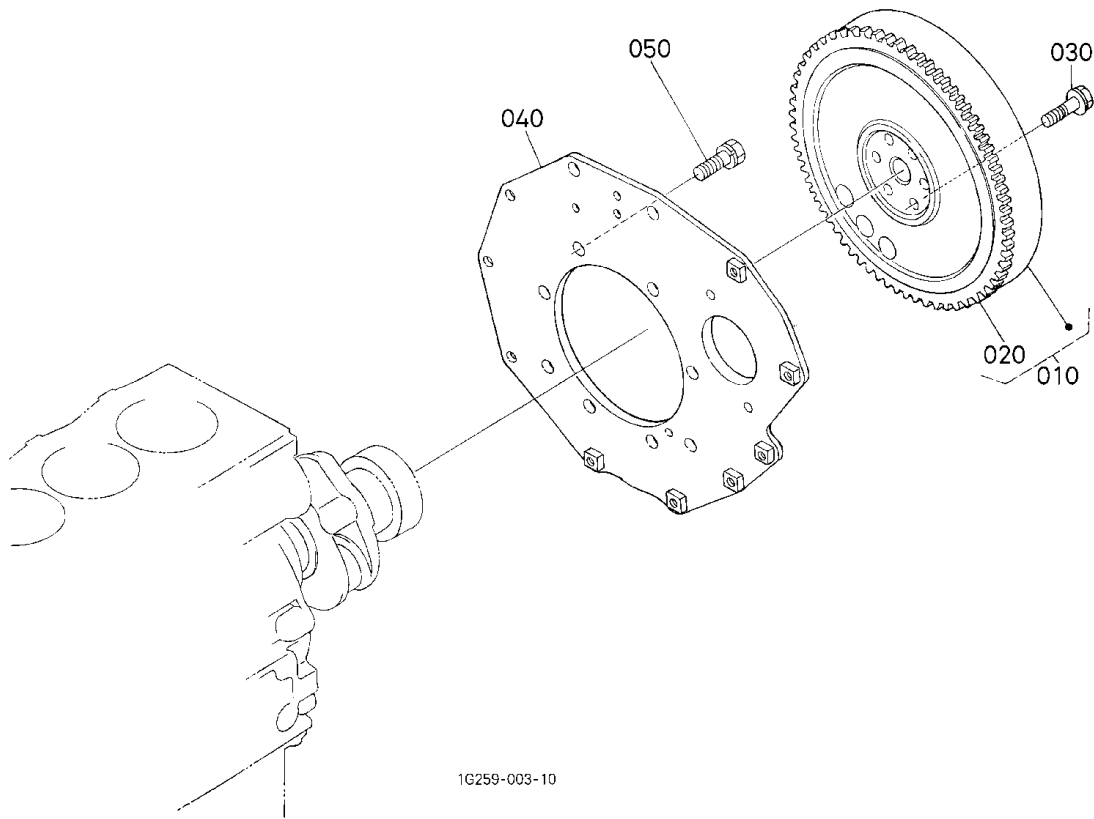
Interchangeable =, Not Interchangeable NI, New for Old >>, Old for New <<

No	Part Number	Part Name	Qty	IC	S/N	Remarks	Kg
010	E9121-21110	PISTON	3			STD	0.26
020	E9121-21050	ASSY PISTON RING	3			STD	0.03
030	E8112-21310	PIN,PISTON	3				0.11
040	16241-21330	CIRCLIP(PIN,PISTON)	6				0.002
050	16241-22012	ROD,CONNECTING,ASSY	3				0.545
050	1G700-22010	ROD,ASSY(CONNECTING)	3	=			0.52
050	16292-22016	ROD,CONNECTING,ASSY	3	>>	>=AU0001		0.526
060	16241-21982	BUSHING(PIN,PISTON)	3		<=7HZ999		0.03
060	1G700-21980	BUSH,PISTON PIN	3	>>	>=7J0001		0.01
070	16241-22142	BOLT(CONNECTING ROD)	6				0.024
080	16241-22310	METAL(PIN,CRANK)	3		<=ATZ999	STD SET	0.038
080	16241-22970	METAL(PIN,CRANK)	3		<=ATZ999	-0.20mm SET	0.08
080	16241-22980	METAL(PIN,CRANK)	3		<=ATZ999	-0.40mm SET	0.1
080	16292-22310	METAL(PIN,CRANK)	3	>>	>=AU0001	STD SET	0.04
080	16292-22972	METAL,CRANKPIN	3	>>	>=AU0001	-0.20mm SET	0.033
080	16292-22982	METAL,CRANKPIN	3	>>	>=AU0001	-0.40mm SET	0.034
090	16235-23013	COMP.CRANKSHAFT	1		<=9VZ999		8.5

No	Part Number	Part Name	Qty	IC	S/N	Remarks	Kg
090	1G067-23012	COMP.CRANKSHAFT	1	>>	>=9W0001		8.61
100	07715-00401	BALL 1/4	3		<=6X9999		0.001
110	16241-24110	GEAR(CRANK)	1		<=8XZ999		0.15
110	1A055-24110	GEAR(CRANKSHAFT)	1	>>	>=8Y0001		0.142
120	16271-95230	KEY	1				0.005
130	16241-35630	GEAR(OIL PUMP DRIVE)	1				0.102
140	16241-23280	SLEEVE,CRANKSHAFT	1				0.06
150	16241-23250	COLLAR,CRANKSHAFT	1				0.05
160	04814-10280	RING	1				0.001
170	16241-23470	METAL(CRANKSHAFT)	1		<=ATZ999	STD	0.06
170	16241-23910	METAL(CRANKSHAFT)	1		<=ATZ999	-0.20mm	0.03
170	16241-23920	METAL(CRANKSHAFT)	1		<=ATZ999	-0.40mm	0.068
170	16292-23913	METAL(CRANKSHAFT)	1	>>	>=AU0001	-0.20mm	0.005
170	16292-23923	METAL(CRANKSHAFT)	1	>>	>=AU0001	-0.40mm	0.05
170	16292-23473	METAL(CRANKSHAFT)	1	>>	>=AU0001	STD	0.046
180	16241-23930	METAL,CRANKSHAFT	2		<=ATZ999	-0.20mm SET	0.1
180	16241-23940	METAL,CRANKSHAFT	2		<=ATZ999	-0.40mm SET	0.05
180	16292-23933	METAL,CRANKSHAFT	2	>>	>=AU0001	-0.20mm SET	0.05
180	16292-23943	METAL,CRANKSHAFT	2	>>	>=AU0001	-0.40mm SET	0.05
180	16241-23480	METAL,CRANKSHAFT	2		<=ATZ999	STD SET	0.05
180	16292-23483	METAL,CRANKSHAFT	2	>>	>=AU0001	STD SET	0.05
190	16292-23491	METAL,CRANKSHAFT	1		<=5W2491	STD SET	0.0
190	16292-23493	METAL,CRANKSHAFT	1	>>	>=6C3950	STD SET	0.07
190	16292-23861	METAL,CRANKSHAFT	1		<=5W2491	-0.20mm SET	0.0
190	16292-23871	METAL,CRANKSHAFT	1		<=5W2491	-0.40mm SET	0.0
190	16292-23873	METAL,CRANKSHAFT	1	>>	>=6C3950	-0.40mm SET	0.05
190	16292-23863	METAL,CRANKSHAFT	1	>>	>=6C3950	-0.20mm SET	0.05
190	16292-23864	METAL,CRANKSHAFT	1	>>	>=6E0001	-0.20mm SET	0.05
190	16292-23494	METAL,CRANKSHAFT	1	>>	>=6E0001	STD SET	0.07
190	16292-23874	METAL,CRANKSHAFT	1	>>	>=6E0001	-0.40mm SET	0.05
200	15521-23950	METAL SIDE	2		<=ATZ999	+0.20mm	0.01
200	15521-23960	METAL SIDE	2		<=ATZ999	+0.40mm	0.01
200	15521-23530	METAL SIDE	2		<=ATZ999	STD	0.01
200	15521-23533	METAL,SIDE	2	>>	>=AU0001	STD	0.01
200	15521-23953	METAL,SIDE	2	>>	>=AU0001	+0.20mm	0.01
200	15521-23963	METAL,SIDE	2	>>	>=AU0001	+0.40mm	0.01
210	19202-23970	METAL SIDE	2		<=ATZ999	+0.20mm	0.01
210	19202-23980	METAL SIDE	2		<=ATZ999	+0.40mm	0.01
210	19202-23540	METAL SIDE	2		<=ATZ999	STD	0.01
210	19202-23973	METAL,SIDE	2	>>	>=AU0001	+0.20mm	0.01
210	19202-23983	METAL,SIDE	2	>>	>=AU0001	+0.40mm	0.01
210	19202-23543	METAL,SIDE	2	>>	>=AU0001	STD	0.01

DF1005-E2BBH -> ENGINE -> 010300 FLYWHEEL

Update Date: 14/11/2014, Printing Date: 23/07/2015



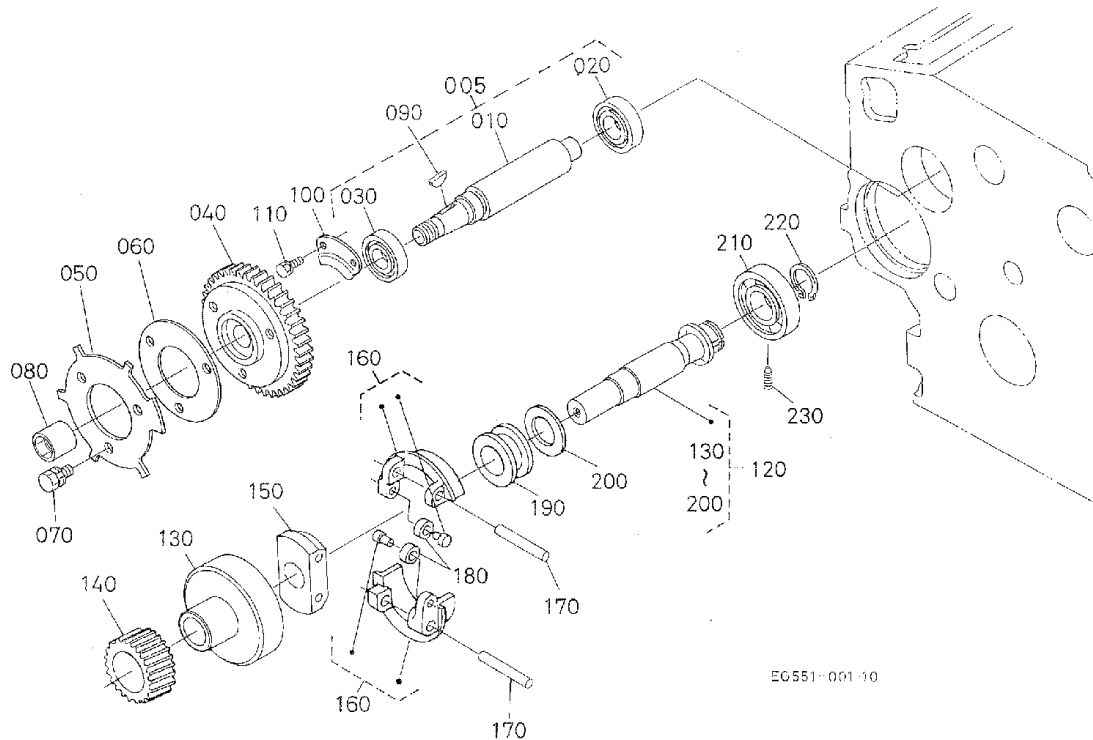
1G259-003-10

Interchangeable =, Not Interchangeable NI, New for Old >>, Old for New <<

No	Part Number	Part Name	Qty	IC	S/N	Remarks	Kg
010	16692-25013	COMP.FLYWHEEL	1				13.1
020	16813-63820	GEAR(RING)	1				0.62
020	1G081-63820	GEAR,RING	1	=			0.63
030	16241-25160	BOLT,FLYWHEEL	6				0.03
040	16241-04620	PLATE,REAR END	1				2.77
050	15261-91190	BOLT	8				0.03

DF1005-E2BBH -> ENGINE -> 010500 GOVERNOR SHAFT

Update Date: 14/11/2014, Printing Date: 23/07/2015



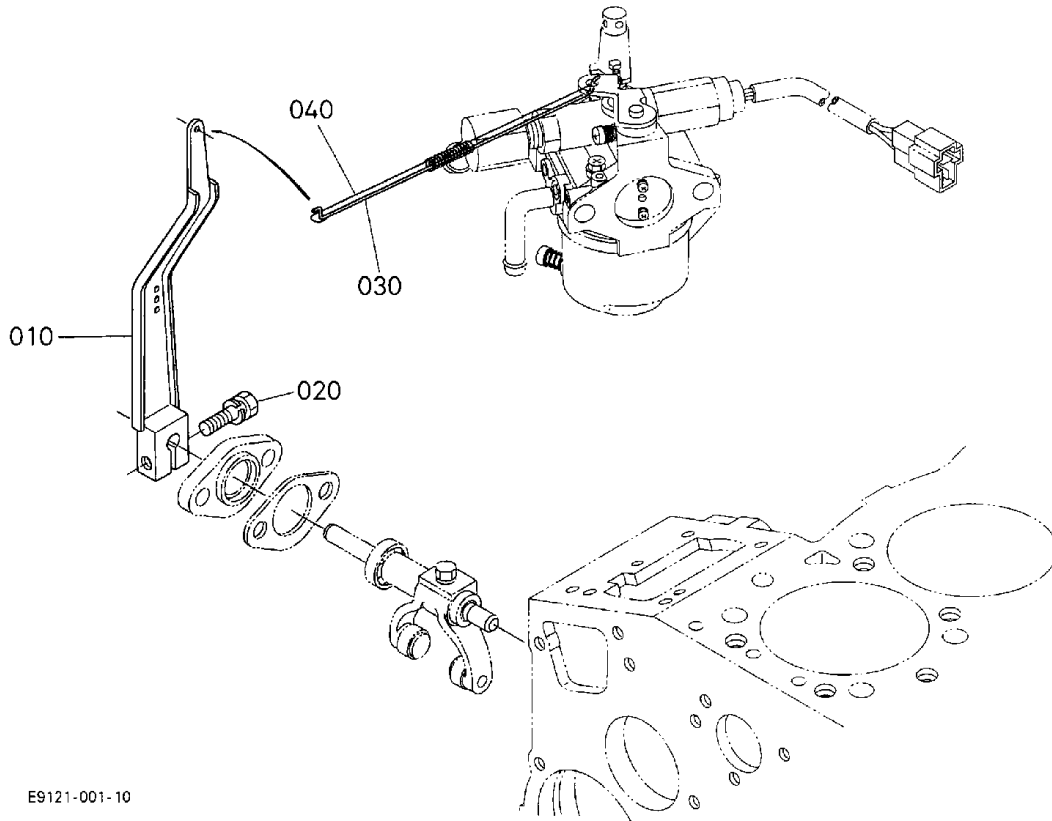
Interchangeable =, Not Interchangeable NI, New for Old >>, Old for New <<

No	Part Number	Part Name	Qty	IC	S/N	Remarks	Kg
005	E9121-16120	ASSY CAMSHAFT,FUEL	1			NOT SALE	0.0
010	E9121-16170	SHAFT,ROTOR	1				0.37
020	08103-06202	BEARING,BALL	1		<=2V0293		0.05
020	16261-97300	BEARING,BALL	1	=	>=2W0003		0.044
030	08103-06204	BEARING,BALL	1		<=2V0293		0.105
030	16261-97310	BEARING,BALL	1	=	>=2W0003		0.1
040	E9121-51150	GEAR,INJECTION PUMP	1				0.42
050	E9121-51110	ROTOR	1				0.1
060	16241-51190	WASHER	1				0.029
070	01023-50614	BOLT,SEMS	3				0.005
080	16241-92330	NUT,CAP	1				0.035
090	16241-95230	KEY,WOODRUFF	1				0.001
100	16241-16320	STOPPER,FUEL.C/SHAF T	1				0.04
110	01023-50616	BOLT,SEMS	2				0.005
120	E9121-55013	ASSY SHAFT,GOVERNOR	1				0.0
130	16241-55392	HOLDER,GOVERNOR GEAR	1				0.34
140	16282-55320	GEAR,GOVERNOR	1				0.24
150	16241-55270	HOLDER,GOV.WEIGHT	1				0.085
160	16271-55064	COMP.WEIGHT,GOVER NOR	2				0.066
170	16241-55260	SHAFT,GOV. WEIGHT	2				0.013

No	Part Number	Part Name	Qty	IC	S/N	Remarks	Kg
180	19484-55440	ROLLER	2				0.005
190	16241-55450	SLEEVE, GOVERNOR	1				0.04
200	16241-55463	WASHER, THRUST	1				0.005
210	08101-06304	BEARING, BALL	1		<=2V0293		0.146
210	16261-97320	BALL BEARING	1	=	>=2W0003		0.14
220	16271-55410	CIR CLIP, GOV. SHAFT	1				0.005
230	16241-55554	SCREW, SET	1				0.007

DF1005-E2BBH -> ENGINE -> 020000 GOVERNOR LEVER

Update Date: 14/11/2014, Printing Date: 23/07/2015



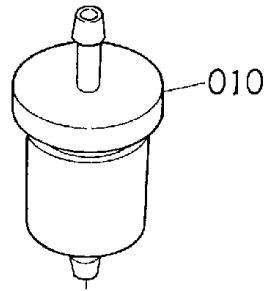
E9121-001-10

Interchangeable =, Not Interchangeable NI, New for Old >>, Old for New <<

No	Part Number	Part Name	Qty	IC	S/N	Remarks	Kg
010	E9121-56020	LEVER,GOVERNOR	1				0,12
020	01123-50828	BOLT,SEMS	1				0,014
030	E9121-56350	ROD,GOVERNOR	1				0,006
040	E9121-56390	SPRING	1				0,001

DF1005-E2BBH -> ENGINE -> 020100 FUEL FILTER

Update Date: 14/11/2014, Printing Date: 23/07/2015



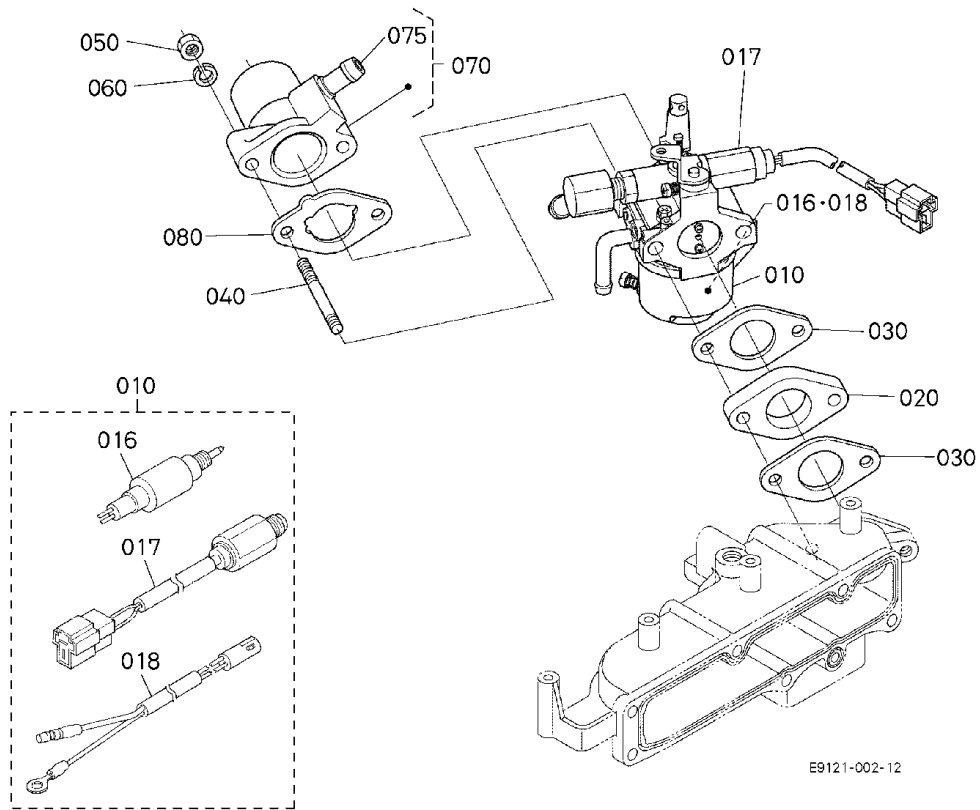
12691-010-10

Interchangeable =, Not Interchangeable NI, New for Old >>, Old for New <<

No	Part Number	Part Name	Qty	IC	S/N	Remarks	Kg
010	12581-43012	ASSY FILTER,FUEL	1				0.034

DF1005-E2BBH -> ENGINE -> 020200 CARBURETTOR

Update Date: 14/11/2014, Printing Date: 23/07/2015

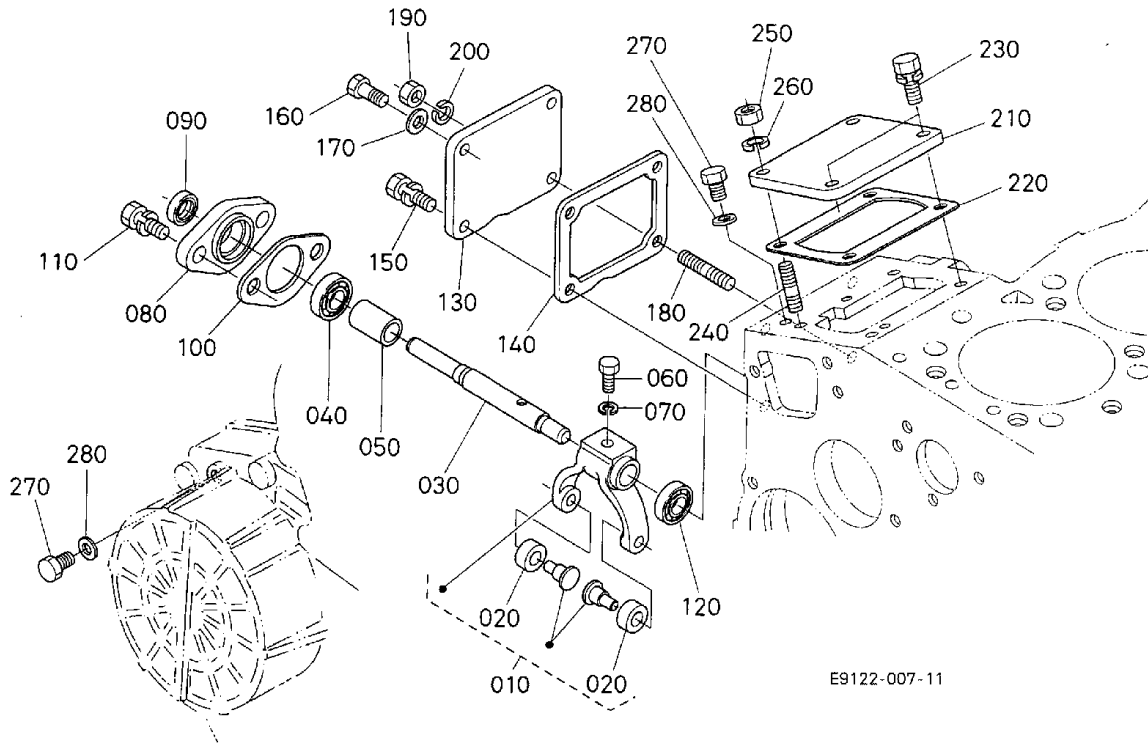


Interchangeable =, Not Interchangeable NI, New for Old >>, Old for New <<

No	Part Number	Part Name	Qty	IC	S/N	Remarks	Kg
010	EG551-44010	ASSY CARBURETOR	1		<=4C9000		0.6
010	EG551-44013	ASSY CARBURETOR	1	>>	>=4E0001		0.6
016	EG551-44720	ASSY SOLENOID	1		>=8Q0001		0.048
017	EG551-44920	ASSY TERMINAL	1		>=8Q0001		0.007
018	EG551-44790	ASSY SOLENOID,LPG	1		>=8Q0001		0.07
020	12596-46150	FLANGE,CARBURETTO R	1				0.022
030	12035-46110	GASKET,CARBURETOR. NA	2				0.002
040	E9121-91490	STUD	2				0.03
050	02156-50080	HEX.NUT	2				0.004
060	04512-50080	WASHER,SPRING LOCK	2				0.002
070	EG261-11603	COMP FLANGE,A- CLEAN.	1		<=ADZ999		0.06
070	EG261-11605	COMP FLANGE,A- CLEAN.	1	>>	>=AE0001		0.048
075	EG261-73372	JOINT	1				0.002
080	EG261-11510	GASKET,AIR CLEANER	1				0.014

DF1005-E2BBH -> ENGINE -> 020400 FORK LEVER

Update Date: 14/11/2014, Printing Date: 23/07/2015



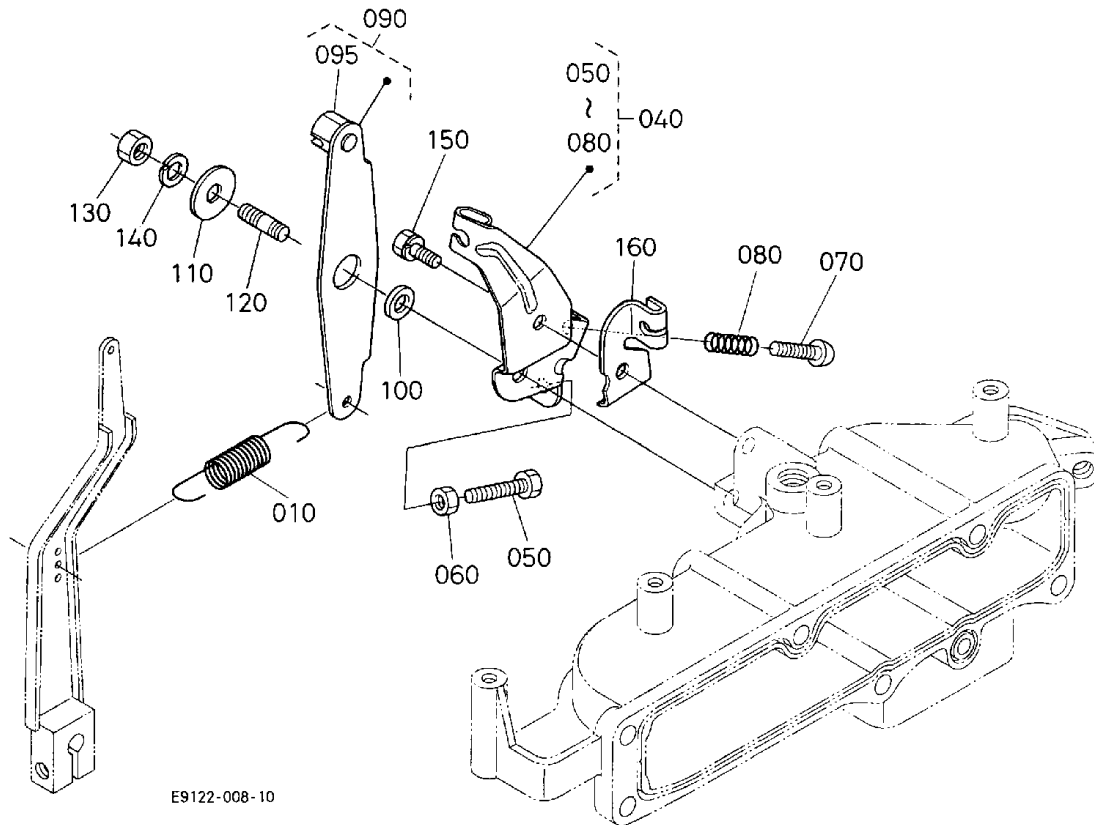
Interchangeable =, Not Interchangeable NI, New for Old >>, Old for New <<

No	Part Number	Part Name	Qty	IC	S/N	Remarks	Kg
010	E9121-56040	COMP.LEVER,FORK	1				0.07
020	19484-55440	ROLLER	2				0.005
030	E9121-56150	SHAFT,FORK LEVER	1				0.05
040	16241-56330	BEARING,MINIATURIZE	1				0.007
050	E9121-56270	COLLAR	1				0.013
060	01053-50514	HEX.BOLT	1				0.005
070	04512-50050	WASHER,SPRING LOCK	1				0.001
080	E9121-56250	COVER,FORK LEV.SHAFT	1				0.012
090	12581-55850	SEAL,OIL	1				0.002
100	E9121-56260	GASKET	1				0.001
110	01023-50614	BOLT,SEMS	2				0.005
120	16241-56340	BEARING,MINIATURIZE	1				0.007
130	15668-57110	COVER	1				0.12
140	16264-57210	GASKET	1				0.002
150	01023-50614	BOLT,SEMS	1				0.005
160	01053-50614	HEX.BOLT	1				0.005
170	15601-96650	PACKING	1				0.001
180	16245-91540	STUD	2				0.005
190	02056-50060	HEX.NUT	2				0.002
200	04512-50060	WASHER,SPRING LOCK	2				0.001
210	12581-51650	COVER	1				0.185
220	EG281-51660	GASKET	1				0.002

No	Part Number	Part Name	Qty	IC	S/N	Remarks	Kg
230	01023-50614	BOLT,SEMS	2				0.005
240	15841-91500	STUD	2				0.02
250	02014-50060	HEX.NUT	2				0.002
260	04512-50060	WASHER,SPRING LOCK	2				0.001
270	6A100-18690	PLUG	2				0.004
280	15601-96650	PACKING	2				0.001

DF1005-E2BBH -> ENGINE -> 020500 SPEED CONTROL LEVER

Update Date: 14/11/2014, Printing Date: 23/07/2015

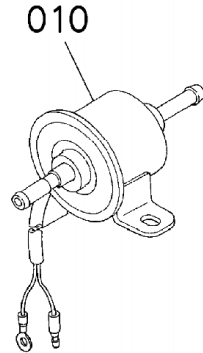


Interchangeable =, Not Interchangeable NI, New for Old >>, Old for New <<

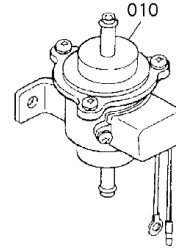
No	Part Number	Part Name	Qty	IC	S/N	Remarks	Kg
010	E9121-56410	SPRING,GOVERNOR	1				0,015
040	E9121-57010	ASSY PLATE,CONTROL	1				0,08
050	12182-93310	SCREW	1				0,002
060	02014-50060	HEX.NUT	1				0,002
070	12182-93410	SCREW	1				0,003
080	13641-56860	SPRING	1				0,001
090	E9121-57040	COMP LEVER,SP/CONT	1				0,08
095	13901-57460	STOPPER,RELEASE	1				0,01
100	12581-57240	COLLAR	1				0,004
110	04015-50080	WASHER,PLAIN	1				0,01
120	01518-50820	BOLT,STUD	1				0,012
130	02156-50080	HEX.NUT	1				0,004
140	04512-50080	WASHER,SPRING LOCK	1				0,002
150	01023-50614	BOLT,SEMS	1				0,005
160	12599-46810	HOLDER,CHOKE WIRE	1				0,024

DF1005-E2BBH -> ENGINE -> 020700 FUEL PUMP (ELECTRICAL)

Update Date: 14/11/2014, Printing Date: 23/07/2015



010 12691-5203-0



EG602-032-10

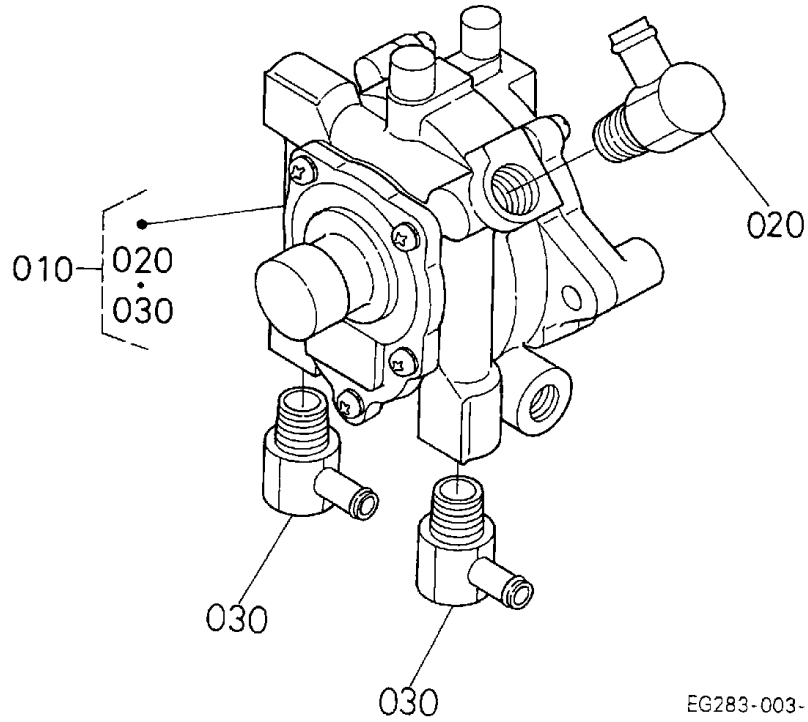
EG602-810-10

Interchangeable =, Not Interchangeable NI, New for Old >>, Old for New <<

No	Part Number	Part Name	Qty	IC	S/N	Remarks	Kg
010	12691-52030	ASSY PUMP,FUEL	1		<=9DZ999		0.48
010	EG601-52030	ASSY PUMP,FUEL	1	>>	>=9E0001		0.3

DF1005-E2BBH -> ENGINE -> 022000 VAPORIZER

Update Date: 14/11/2014, Printing Date: 23/07/2015

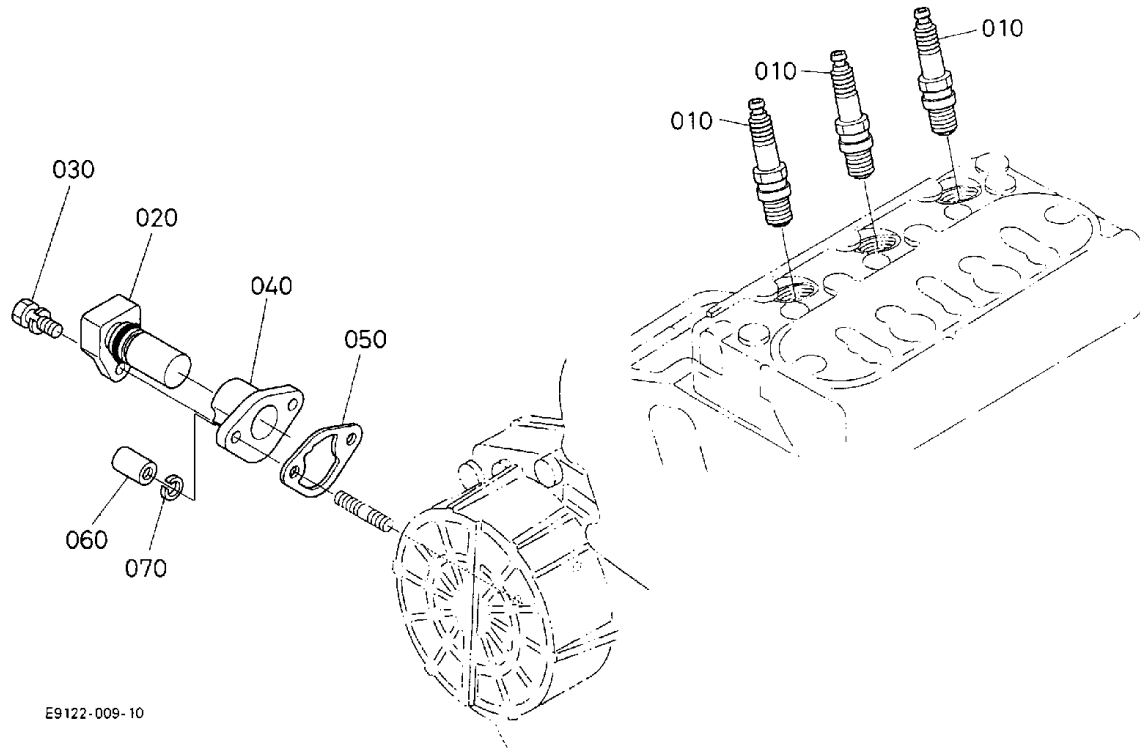


Interchangeable =, Not Interchangeable NI, New for Old >>, Old for New <<

No	Part Number	Part Name	Qty	IC	S/N	Remarks	Kg
010	EG283-46923	ASSY VAPORIZER	1				1.1
020	EG283-45850	JOINT	1				0.06
030	EG283-46620	JOINT	2				0.06

DF1005-E2BBH -> ENGINE -> 030000 SPARK PLUG AND DISTRIBUTOR

Update Date: 14/11/2014, Printing Date: 23/07/2015



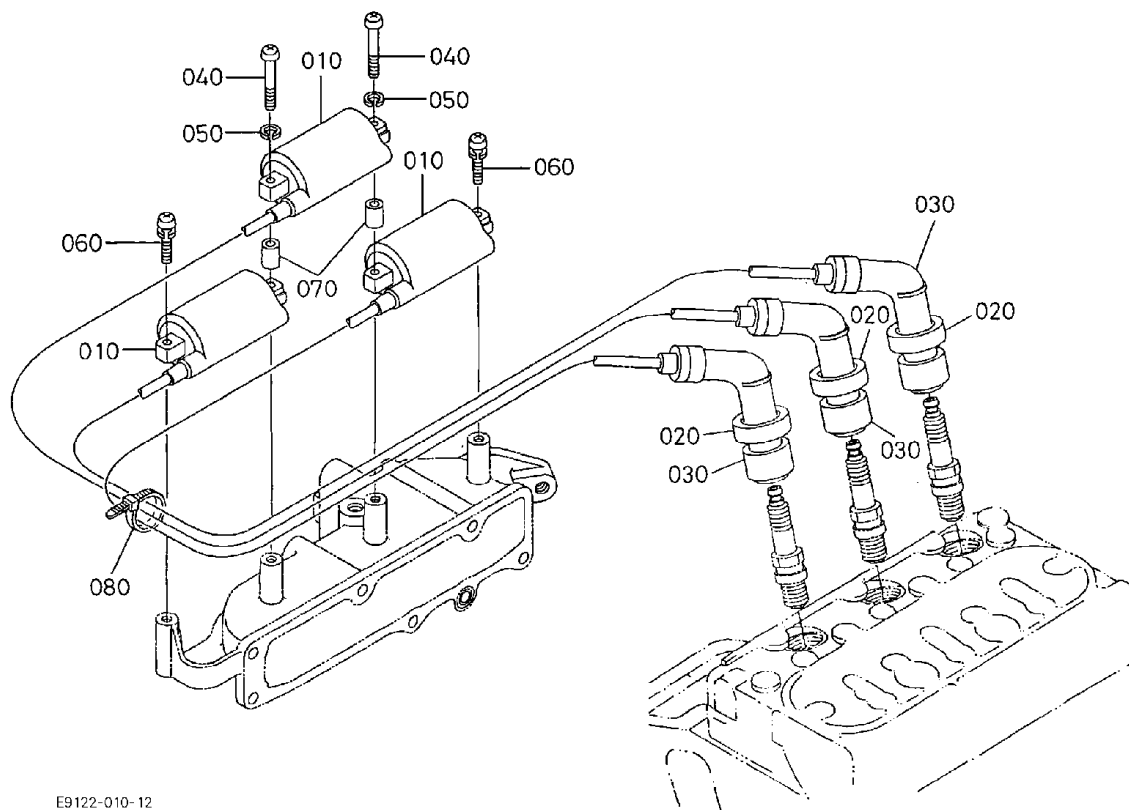
E9122-009-10

Interchangeable =, Not Interchangeable NI, New for Old >>, Old for New <<

No	Part Number	Part Name	Qty	IC	S/N	Remarks	Kg
010	E9151-67710	SPARK PLUG	3				0,009
020	E9121-68330	ASSY SENSOR,STICK	1		<=AXZ999		0,038
020	E9121-68332	ASSY SENSOR,STICK	1	>>	>=AY0001		0,038
030	01202-50616	BOLT,SEMS(PHILLIPS)	1				0,005
040	E9121-52850	HOLDER,SENSOR	1				0,026
050	16264-52140	GASKET,FUEL PUMP	1		<=8HZ999		0,001
050	16261-52140	GASKET,FUEL PUMP	1	>>	>=8J0001		0,001
060	15841-92320	NUT,CAP	2				0,01
070	04512-50060	WASHER,SPRING LOCK	2				0,001

DF1005-E2BBH -> ENGINE -> 030200 IGNITION COIL

Update Date: 14/11/2014, Printing Date: 23/07/2015



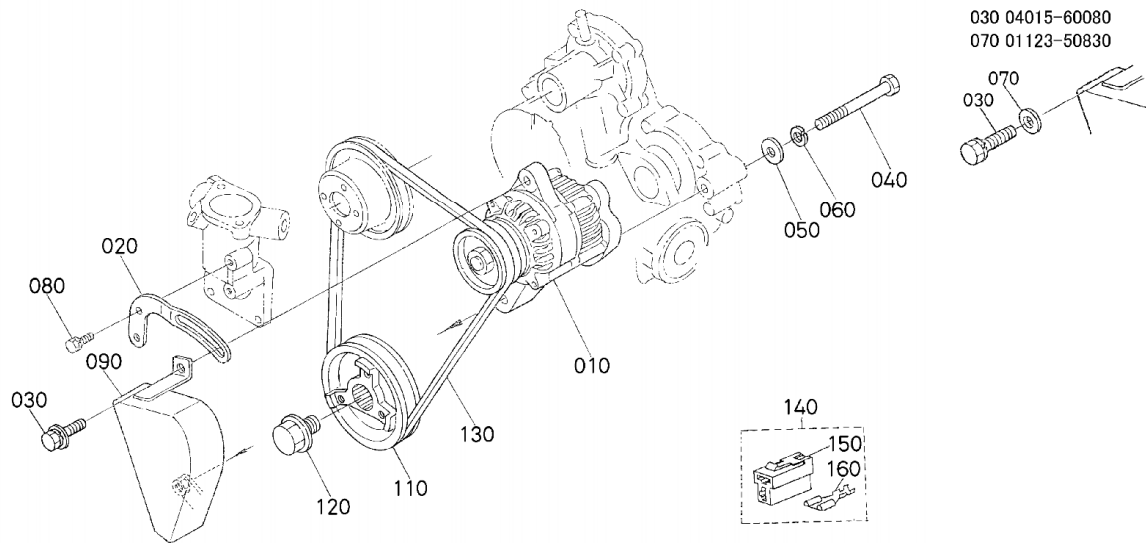
E9122-010-12

Interchangeable =, Not Interchangeable NI, New for Old >>, Old for New <<

No	Part Number	Part Name	Qty	IC	S/N	Remarks	Kg
010	E9121-68920	COIL,IGNITION	3				0.25
020	E9121-67730	COVER,SPARK PLUG	3				0.005
030	E9121-67720	CAP,SPARK PLUG	3				0.01
040	03054-50545	SCREW,PAN HEAD(PHILLIPS)	2				0.006
050	04512-50050	WASHER,SPRING LOCK	2				0.001
060	03024-50520	SCREW,SEMS(PAN HEAD)	2				0.004
070	E9121-68940	COLLAR	2				0.003
080	53581-64150	BAND,CORD	2				0.002

DF1005-E2BBH -> ENGINE -> 040200 ALTERNATOR AND PULLEY

Update Date: 14/11/2014, Printing Date: 23/07/2015



1G642-008-11

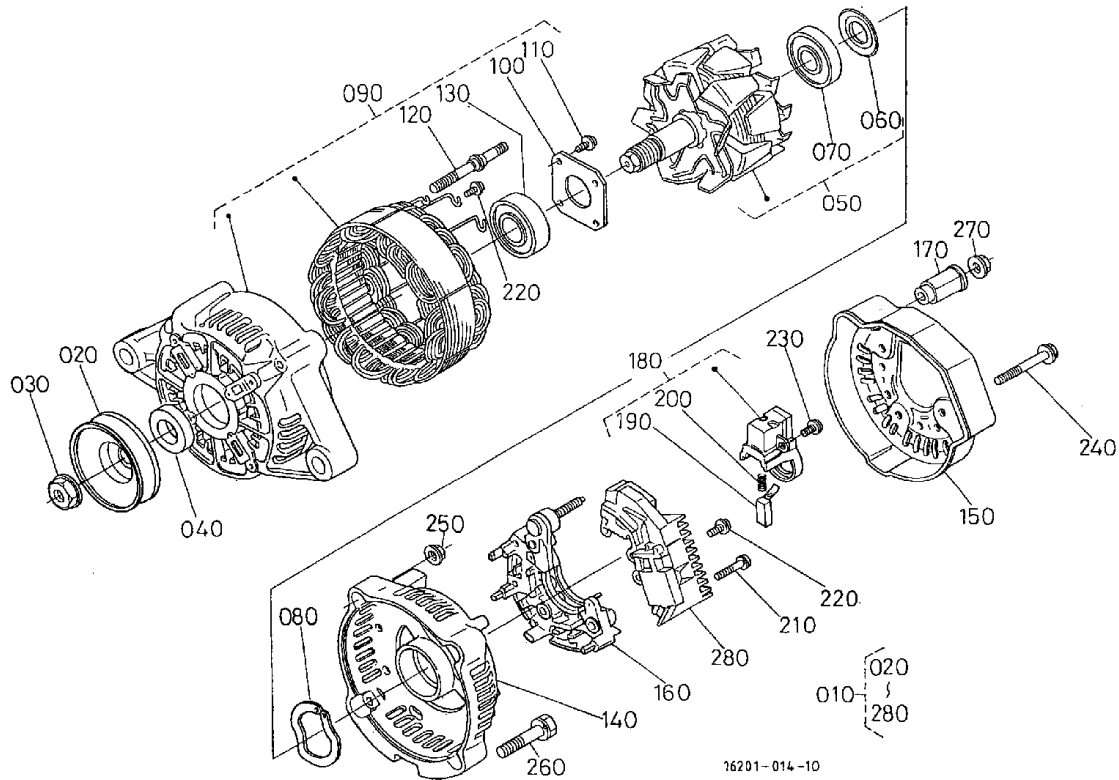
1G642-823-10

Interchangeable =, Not Interchangeable NI, New for Old >>, Old for New <<

No	Part Number	Part Name	Qty	IC	S/N	Remarks	Kg
010	16241-64012	ASSY ALTERNATOR	1				3,0
020	16241-64421	STAY,DYNAMO	1		<=6M9999		0,0
020	16241-64422	STAY,DYNAMO	1	>>	>=6N0001		0,095
030	01123-50830	BOLT,SEMS	1		<=4E9526		0,015
030	01127-50830	BOLT,W SEMS(LARGE WASHER)	1	NI	>=4G0001		0,023
040	01173-51085	HEX.BOLT	1				0,051
050	04011-50100	WASHER,PLAIN	1				0,002
060	04512-50100	WASHER,SPRING LOCK	1				0,003
070	04015-50080	WASHER,PLAIN	1		<=4E9526		0,01
080	01023-50616	BOLT,SEMS	1				0,005
090	16616-13860	COVER,BELT	1				0,2
110	16229-74280	PULLEY,FAN DRIVE	1				1,19
120	16241-91020	BOLT(FAN DRIVE)	1				0,1
130	16282-97010	V-BELT	1				0,08
130	16282-97012	V BELT	1	=			0,08
140	19838-65830	ASSY COUPLER	3				0,004
150	19872-65880	CONNECTOR	3				0,001
160	19237-65910	TERMINAL	6				0,001

DF1005-E2BBH -> ENGINE -> 040300 ALTERNATOR [COMPONENT PARTS]

Update Date: 14/11/2014, Printing Date: 23/07/2015



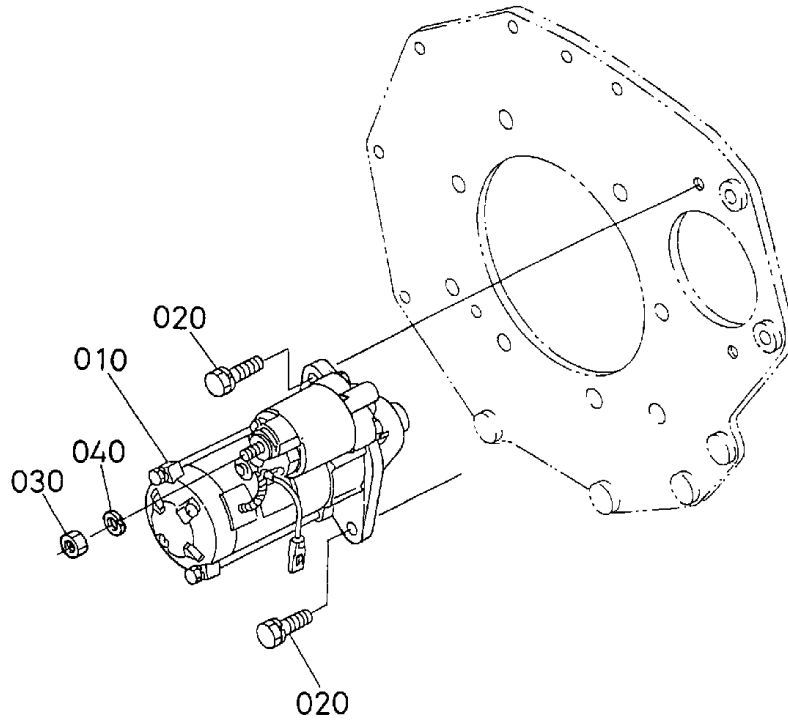
Interchangeable =, Not Interchangeable NI, New for Old >>, Old for New <<

No	Part Number	Part Name	Qty	IC	S/N	Remarks	Kg
010	16241-64012	ASSY ALTERNATOR	1				3,0
020	15881-64110	PULLEY,DYNAMO	1				0,16
030	15881-92010	NUT	1				0,02
040	15881-64150	COLLAR	1				0,004
050	66436-64040	ROTOR	1				1,2
060	15881-64800	COVER, BEARING	1				0,001
070	16652-64770	BEARING BALL	1				0,045
080	15881-64810	WASHER, THRUST	1				0,002
090	66436-64020	FRAME, ASSY (DRIVE END)	1				1,1
100	15881-64710	PLATE, RETAINER	1				0,01
110	15881-93010	SCREW, ROUND HEAD	4				0,003
120	15881-64260	BOLT, THROUGH	2				0,01
130	16652-64780	BRG, BALL	1				0,05
140	16231-64060	FRAME, END	1				0,17
150	16231-64230	COVER, END	1				0,035
160	16241-64850	ASSY RECTIFIER	1				0,16
170	16241-64900	BUSH INSULATION	1				0,007
180	16652-64310	HOLDER BRUSH	1				0,025
190	15881-64090	BRUSH	2				0,002
200	15881-64330	SPRING, BRUSH	2				0,002
210	15881-93020	SCREW, ROUND HEAD	2				0,005
220	15881-93030	SCREW, ROUND HEAD	6				0,003

No	Part Number	Part Name	Qty	IC	S/N	Remarks	Kg
230	15881-93040	SCREW, ROUND HEAD	1				0.003
240	15881-91040	BOLT	3				0.005
250	15881-92020	NUT	2				0.02
260	15881-91050	BOLT	2				0.01
270	14182-92030	NUT	1				0.003
280	66436-64601	ASSY REGULATOR	1		<=4T1477		0.0
280	1K531-64602	ASSY REGULATOR	1	>>	>=4U0001		0.08

DF1005-E2BBH -> ENGINE -> 040400 STARTER

Update Date: 14/11/2014, Printing Date: 23/07/2015



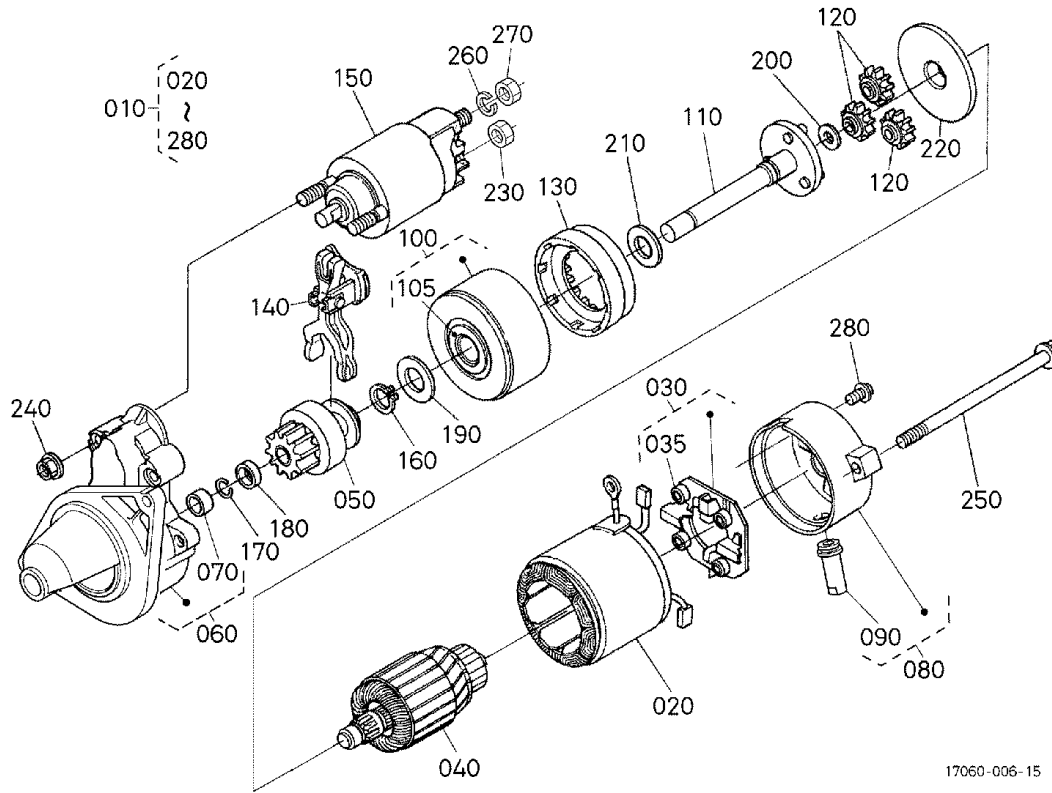
E9122-012-10

Interchangeable =, Not Interchangeable NI, New for Old >>, Old for New <<

No	Part Number	Part Name	Qty	IC	S/N	Remarks	Kg
010	67980-31150	ASSY STARTER	1				3,0
020	01123-50830	BOLT,SEMS	2				0,015
030	02114-50080	HEX.NUT	1				0,005
040	04512-50080	WASHER,SPRING LOCK	1				0,002

DF1005-E2BBH -> ENGINE -> 040500 STARTER [COMPONENT PARTS]

Update Date: 14/11/2014, Printing Date: 23/07/2015



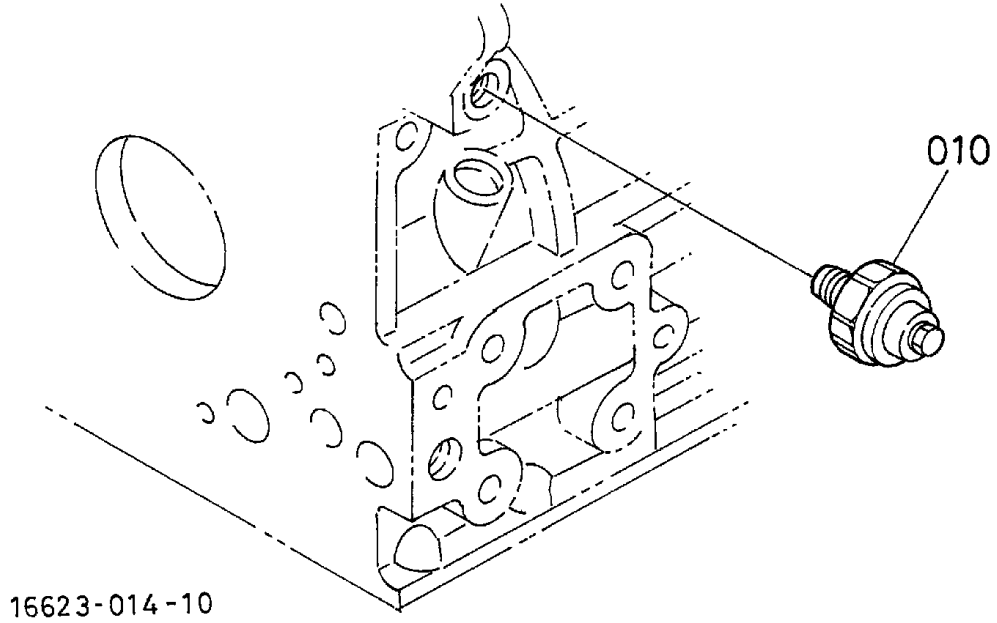
Interchangeable =, Not Interchangeable NI, New for Old >>, Old for New <<

No	Part Number	Part Name	Qty	IC	S/N	Remarks	Kg
010	67980-31150	ASSY STARTER	1				3.0
020	6A100-31160	ASSY YOKE,STARTER	1				0.55
030	14958-63380	ASSY HOLDER	1				0.068
035	14958-63480	SPRING,BRUSH	4				0.003
040	6A100-31170	ASSY ARMATURE	1				0.47
045	15504-63530	BEARING,BALL	1				0.04
047	15504-63500	BEARING,BALL	1				0.02
050	K3511-81430	ASSY CLUTCH,STARTER	1				0.22
060	67980-31180	ASSY HOUSING,STARTER	1				0.45
070	6A100-31190	BEARING	1				0.006
080	K3511-81450	ASSY FRAME	1				0.11
090	12182-63290	COVER	1				0.05
100	14958-63530	BEARING,SUB-ASSY	1				0.27
105	14958-63060	BEARING,OILLESS	1				0.006
110	K3511-81460	ASSY SHAFT,STARTER	1				0.15
120	14958-63260	GEAR	3				0.013
130	14958-63270	GEAR	1				0.027
135	15401-63390	SPRING,BRUSH	12				0.003
140	14958-63050	LEVER	1				0.02
150	12181-63080	ASSY SWITCH,MAGNETIC	1				0.6

No	Part Number	Part Name	Qty	IC	S/N	Remarks	Kg
160	14958-63170	RING,SNAP	1				0.003
170	12181-63220	RING,SNAP	1				0.001
180	13816-63460	COLLAR	1				0.003
190	14958-94010	WASHER,PLAIN	1				0.007
200	14958-94020	WASHER,PLAIN	1				0.003
210	14958-94030	WASHER,PLAIN	1				0.004
220	14958-94040	PLATE	1				0.027
230	16611-92020	NUT,HEXAGON	1				0.005
240	14278-92010	NUT	2				0.001
250	11460-63320	BOLT,THROUGH	2				0.02
260	13801-94100	WASHER,SPRING	1				0.002
270	19616-92010	NUT,HEXAGON	1				0.04
280	K3511-81480	SCREW	2				0.002

DF1005-E2BBH -> ENGINE -> 040600 OIL SWITCH/THERMOMETER AND PLUG

Update Date: 14/11/2014, Printing Date: 23/07/2015

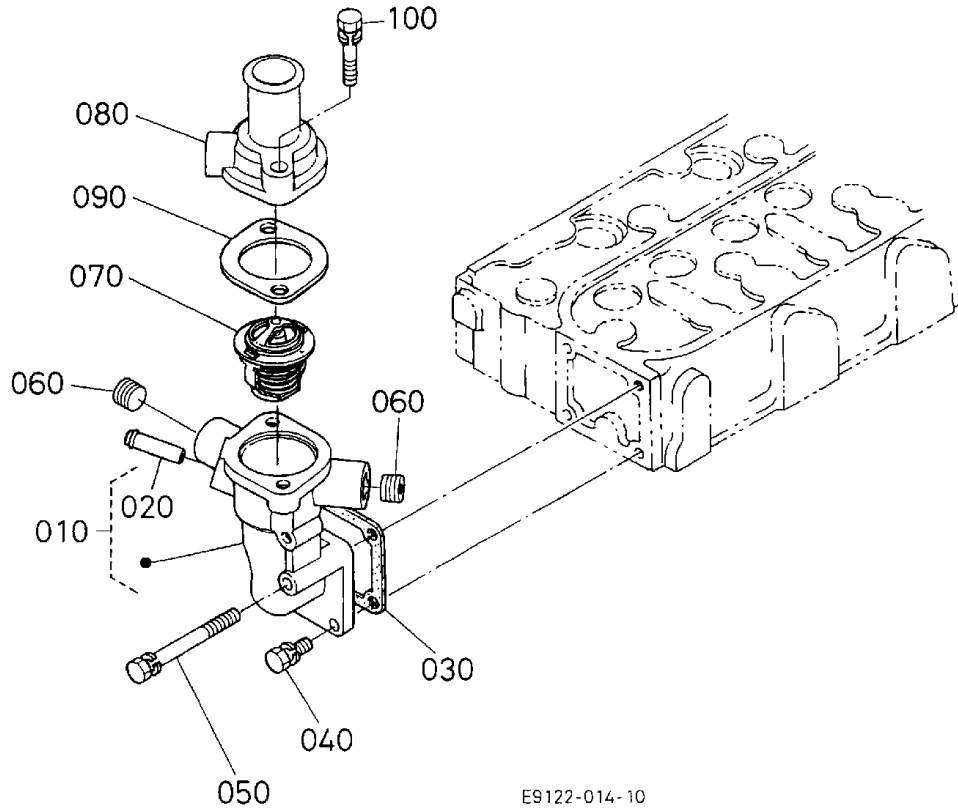


Interchangeable =, Not Interchangeable NI, New for Old >>, Old for New <<

No	Part Number	Part Name	Qty	IC	S/N	Remarks	Kg
010	15841-39010	SWITCH,OIL	1				0,03

DF1005-E2BBH -> ENGINE -> 050000 WATER FLANGE AND THERMOSTAT

Update Date: 14/11/2014, Printing Date: 23/07/2015



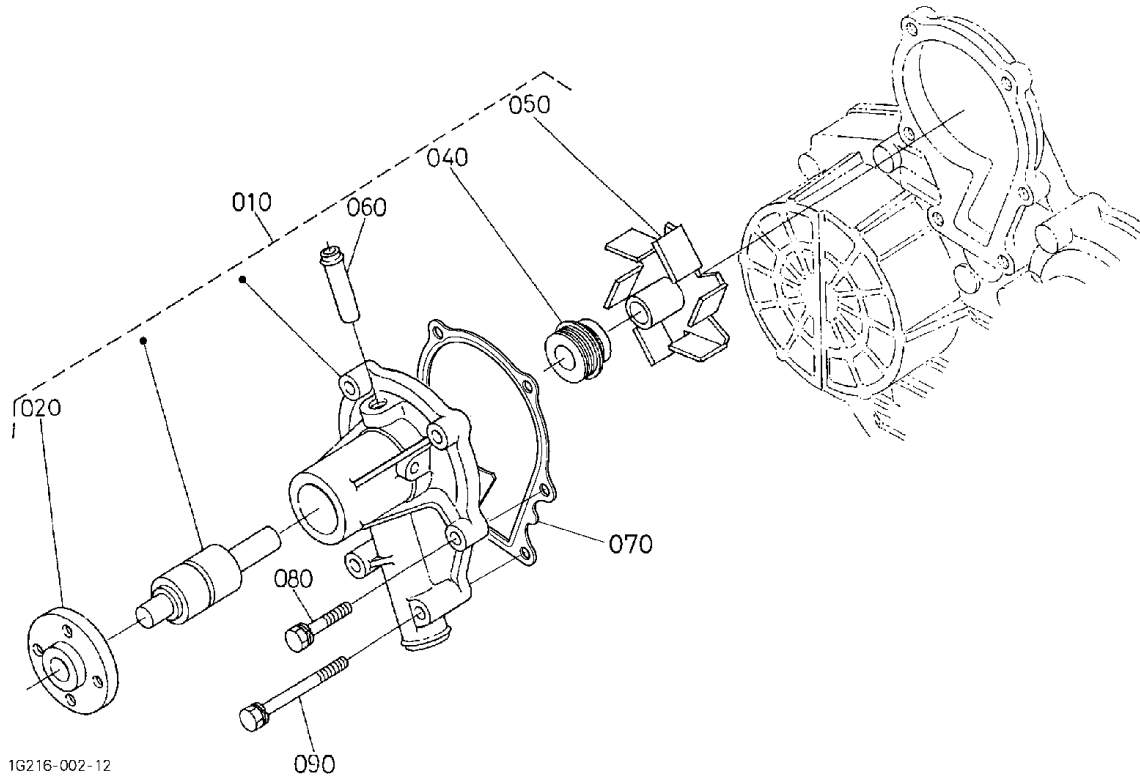
E9122-014-10

Interchangeable =, Not Interchangeable NI, New for Old >>, Old for New <<

No	Part Number	Part Name	Qty	IC	S/N	Remarks	Kg
010	19008-72700	COMP FLANGE,WATER	1				0,268
020	16241-73370	PIPE,WATER RETURN	1				0,007
030	16264-72920	GASKET,WATER FLANGE	1				0,001
040	01023-50616	BOLT,SEMS	3				0,005
050	01023-50655	BOLT,SEMS	1				0,012
060	16241-96020	PLUG	2				0,015
070	19434-73014	ASSY THERMOSTAT	1				0,07
080	16219-73260	COVER(THERMOSTAT)	1				0,099
090	16221-73270	GASKET,THEMOSTAT	1				0,001
100	01123-50835	BOLT,SEMS	2				0,02

DF1005-E2BBH → ENGINE → 050100 WATER PUMP

Update Date: 14/11/2014, Printing Date: 23/07/2015

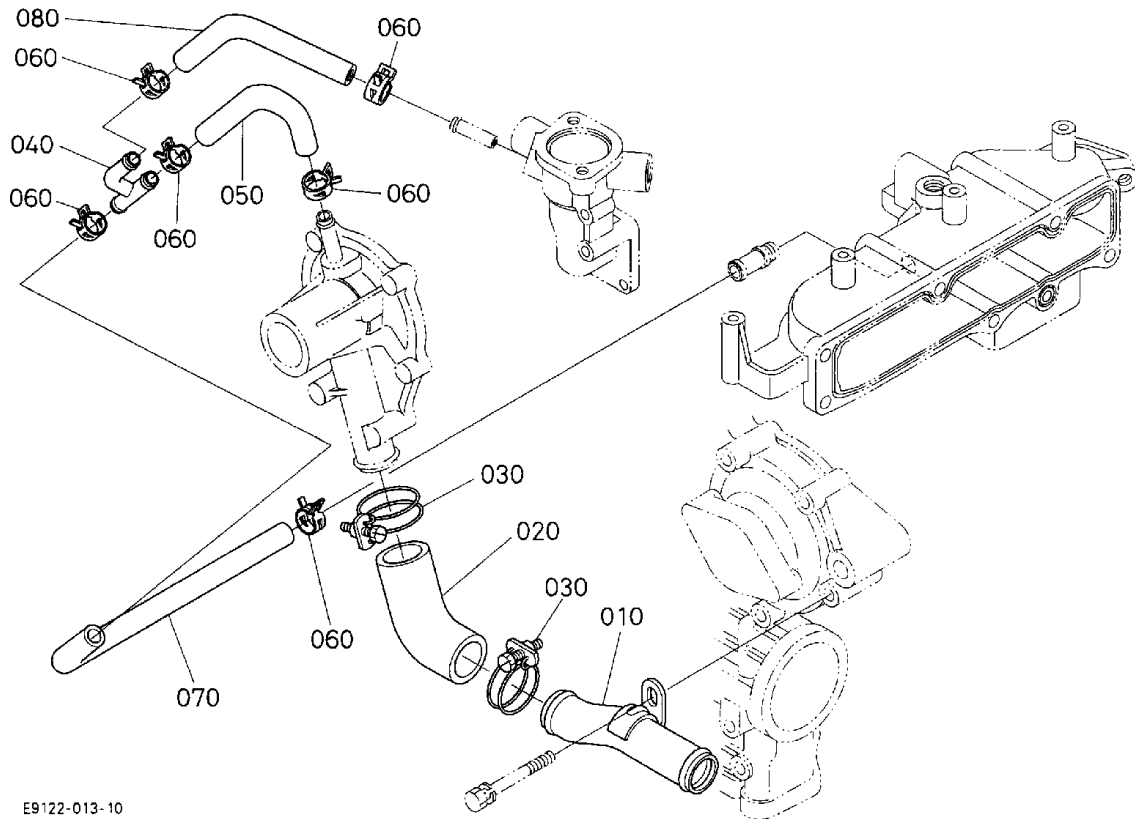


Interchangeable =, Not Interchangeable NI, New for Old >>, Old for New <<

No	Part Number	Part Name	Qty	IC	S/N	Remarks	Kg
010	16251-73034	PUMP,WATER,ASSY	1				0.8
020	16259-73520	FLANGE,WATER PUMP	1				0.15
040	1G642-73050	ASSY SEAL,MECHANICAL	1				0.03
050	16259-73512	IMPELLER,WATER PUMP	1				0.09
060	15852-73340	PIPE,WATER RETURN	1				0.02
070	16239-73430	GASKET,WATER PUMP	1				0.007
080	01023-50630	BOLT,SEMS	4				0.008
090	01023-50685	BOLT,SEMS	2				0.018

DF1005-E2BBH -> ENGINE -> 050300 WATER PIPE

Update Date: 14/11/2014, Printing Date: 23/07/2015



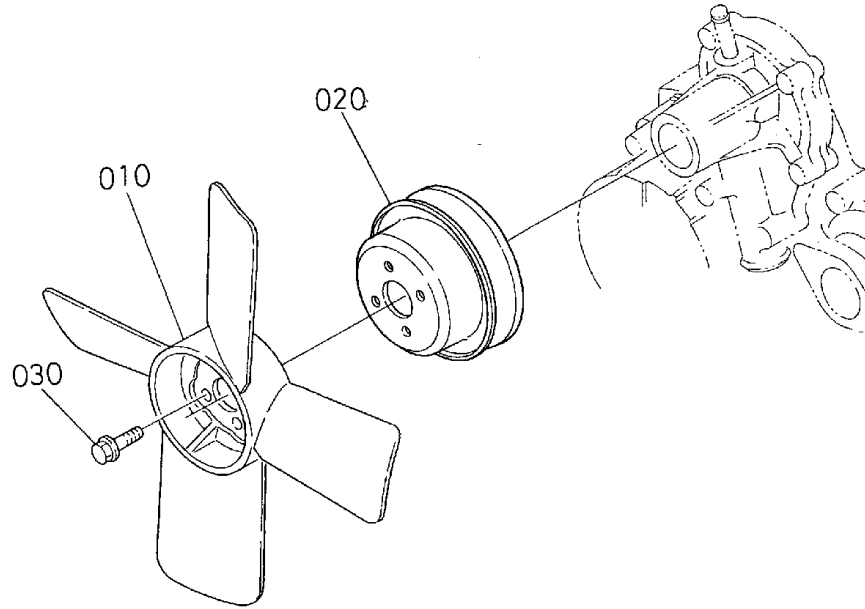
E9122-013-10

Interchangeable =, Not Interchangeable NI, New for Old >>, Old for New <<

No	Part Number	Part Name	Qty	IC	S/N	Remarks	Kg
010	17203-72860	PIPE,WATER	1				0,16
020	1G680-72870	PIPE,WATER	1				0,053
030	36200-82720	CLAMP	2				0,023
040	E9121-73340	PIPE,WATER RETURN	1				0,02
050	E9122-73350	PIPE,WATER RETURN	1				0,03
060	16241-73360	BAND,PIPE	6				0,003
070	E9121-73370	PIPE,WATER RETURN	1				0,046
080	E9121-73380	PIPE,WATER RETURN	1				0,035

DF1005-E2BBH -> ENGINE -> 050400 FAN

Update Date: 14/11/2014, Printing Date: 23/07/2015



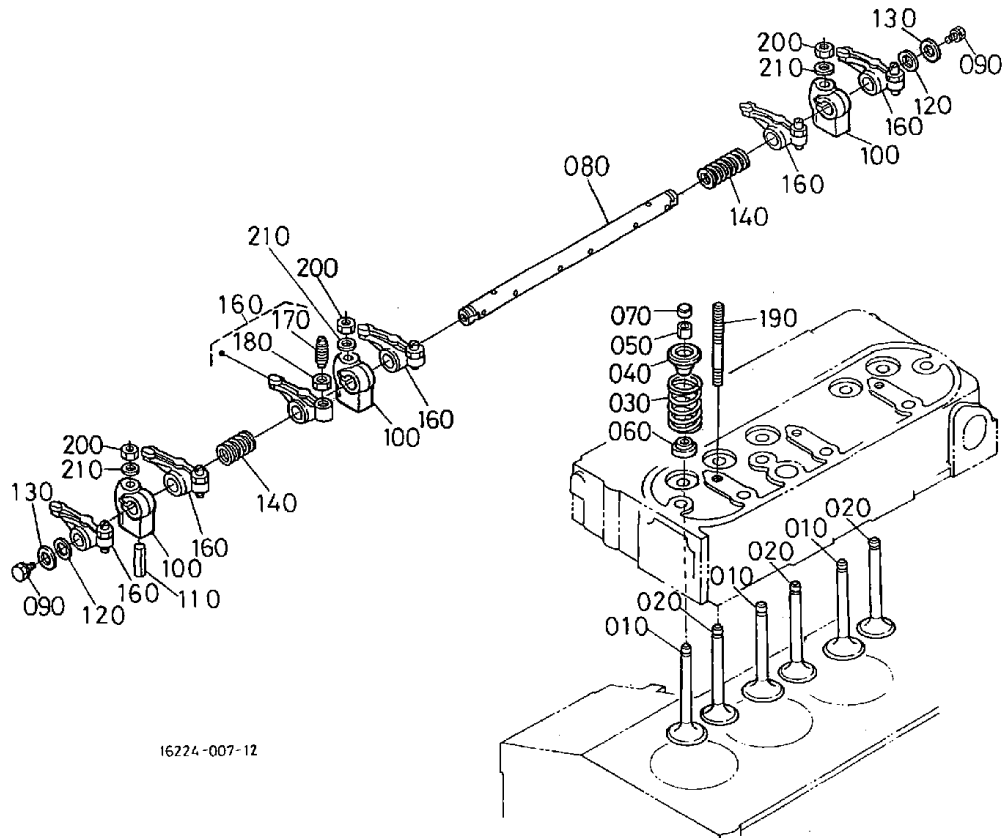
16235-003-10

Interchangeable =, Not Interchangeable NI, New for Old >>, Old for New <<

No	Part Number	Part Name	Qty	IC	S/N	Remarks	Kg
010	16265-74110	FAN	1				0.24
020	16241-74250	PULLEY,FAN	1				0.24
030	01754-50610	BOLT,FLANGE	4				0.006

DF1005-E2BBH -> ENGINE -> 060000 VALVE AND ROCKER ARM

Update Date: 14/11/2014, Printing Date: 23/07/2015



16224-007-12

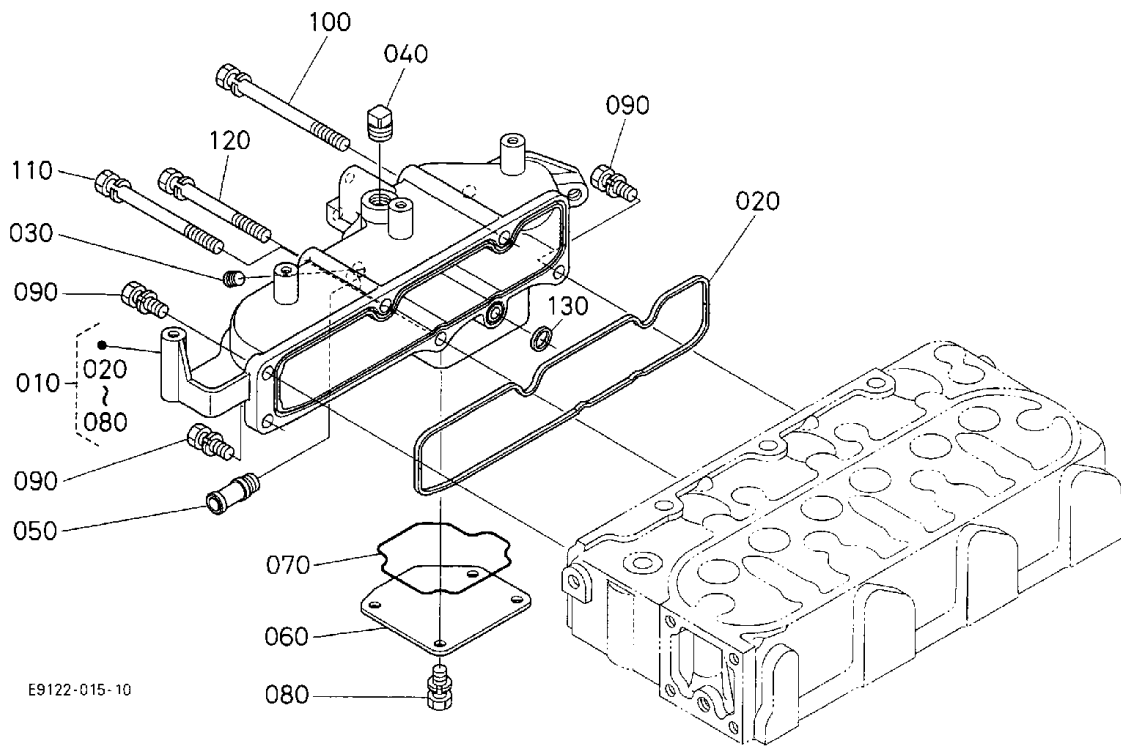
Interchangeable =, Not Interchangeable NI, New for Old >>, Old for New <<

No	Part Number	Part Name	Qty	IC	S/N	Remarks	Kg
010	15667-13112	VALVE,INLET	3				0,047
020	15667-13122	VALVE,EXHAUST	3				0,042
030	16271-13240	SPRING,VALVE	6				0,015
040	16241-13330	RETAINER,VALVE SP.	6		<=2V0293		0,015
040	16261-13330	RETAINER,VALVE SP.	6	=	>=2W0003		0,015
050	15261-13980	COLLET(VALVE SPRING)	6			SET	0,002
060	15667-13160	SEAL,VALVE STEM	6				0,005
070	16241-13280	CAP,VALVE	6				0,005
080	16261-14264	SHAFT(ARM,ROCKER)	1				0,16
090	01023-50610	BOLT,SEMS	2				0,005
100	16241-14350	BRACKET(ARM,ROCKER)	3				0,04
110	05411-00428	PIN,SPRING	1				0,002
120	16241-14430	WASHER(R-ARM.SHAFT)	2				0,002
130	15841-94022	WASHER,PLAIN	2				0,005
140	16241-14310	SPRING(ARM,ROCKER)	2				0,004
160	16241-14032	ARM,ROCKER,ASSY	6				0,052
170	16241-14230	SCREW,ADJUSTING	6				0,008
180	16241-14240	NUT	6				0,004
190	16241-14410	STUD	3				0,022
200	15261-92010	NUT	3				0,005

No	Part Number	Part Name	Qty	IC	S/N	Remarks	Kg
210	15261-94010	WASHER,PLAIN	3				0.002

DF1005-E2BBH -> ENGINE -> 060100 INLET MANIFOLD

Update Date: 14/11/2014, Printing Date: 23/07/2015



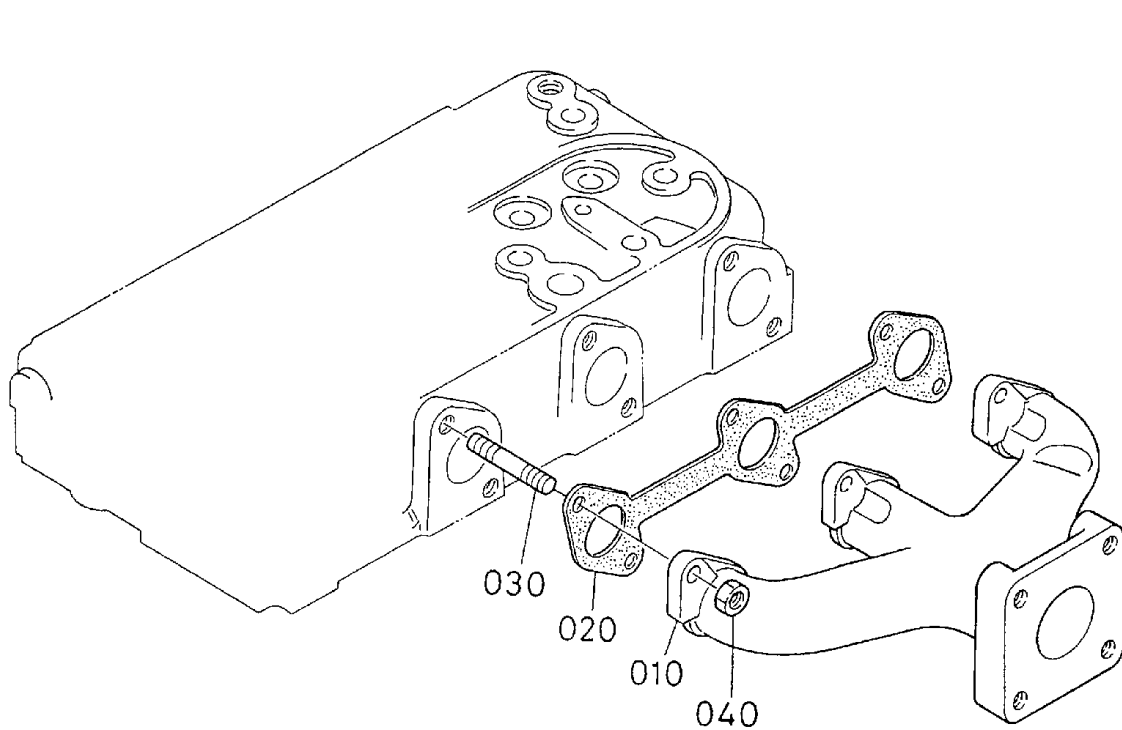
E9122-015-10

Interchangeable =, Not Interchangeable NI, New for Old >>, Old for New <<

No	Part Number	Part Name	Qty	IC	S/N	Remarks	Kg
010	EG501-11770	ASSY MANIFOLD,INLET	1				0,67
020	EG501-11820	GASKET,IN-MANIFOLD	1				0,005
030	15261-96010	PLUG	1				0,002
040	19202-96040	PLUG	1				0,007
050	15531-73340	PIPE,WATER RETURN	1				0,01
060	E9121-11790	COVER	1				0,095
070	04811-10650	RING	1				0,001
080	01023-50616	BOLT,SEMS	4				0,005
090	01023-50618	BOLT,SEMS	3				0,006
100	01023-50680	BOLT,SEMS	1				0,017
110	01023-50675	BOLT,SEMS	1				0,01
120	01023-50665	BOLT,SEMS	1				0,015
130	12581-11830	GASKET	1				0,002

DF1005-E2BBH -> ENGINE -> 060200 EXHAUST MANIFOLD

Update Date: 14/11/2014, Printing Date: 23/07/2015



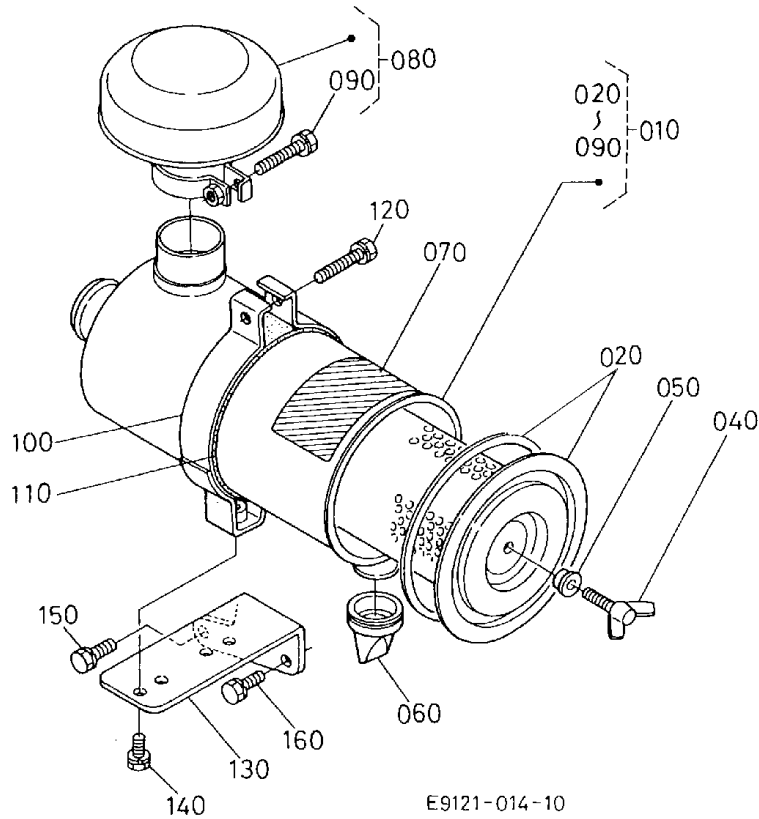
16611-028-10

Interchangeable =, Not Interchangeable NI, New for Old >>, Old for New <<

No	Part Number	Part Name	Qty	IC	S/N	Remarks	Kg
010	E9121-12310	MANIFOLD,EXHAUST	1				1,42
020	16261-12350	GASKET,EX-MANIFOLD	1				0,019
030	16241-91490	STUD	6				0,005
040	16271-92010	NUT	6				0,004

DF1005-E2BBH → ENGINE → 060300 AIR CLEANER

Update Date: 14/11/2014, Printing Date: 23/07/2015

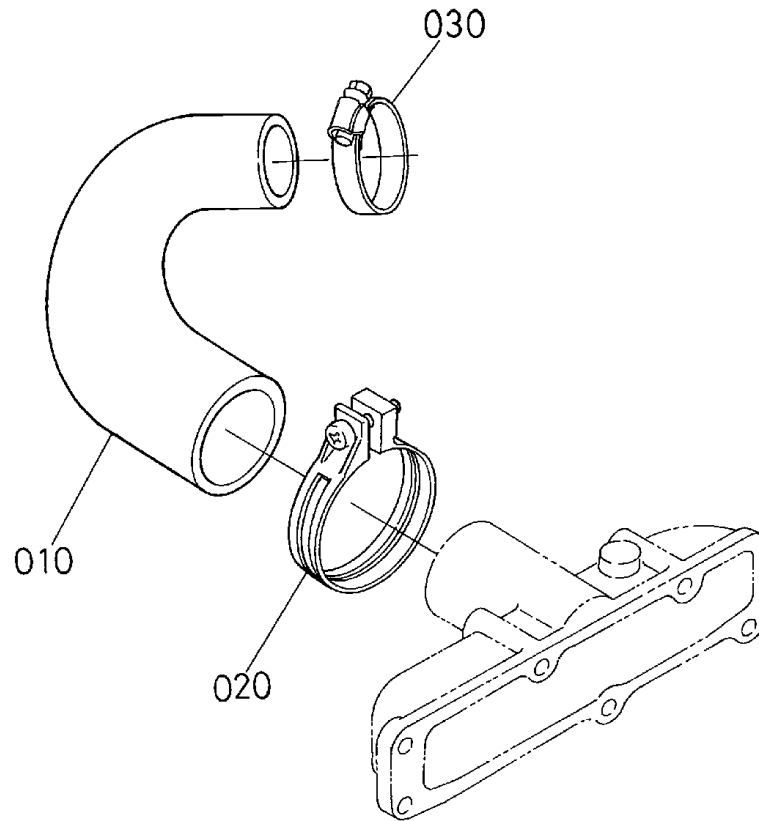


Interchangeable =, Not Interchangeable NI, New for Old >>, Old for New <<

No	Part Number	Part Name	Qty	IC	S/N	Remarks	Kg
010	16616-11013	ASSY CLEANER,AIR	1				2.94
020	15741-11083	ASSY ELEMENT,A/C	1				0.68
040	15741-92620	BOLT,WING	1				0.02
050	15741-94430	ASSY GASKET	1				0.002
060	15741-11470	VALVE	1				0.01
070	16271-87450	LABEL(ELEMENT)	1				0.01
080	16616-11350	CAP,AIR CLEANER	1				0.37
090	01123-50835	BOLT,SEMS	1				0.02
100	15000-36930	BAND,AIR CLEANER	1				0.41
110	15000-36920	CUSHION	1				0.04
120	01123-50835	BOLT,SEMS	1				0.02
130	16616-11570	STAY,AIR CLEANER	1				0.33
140	01123-50814	BOLT,SEMS	2				0.01
150	01123-50816	BOLT,SEMS	1				0.011
160	01123-50820	BOLT,SEMS	1				0.011

DF1005-E2BBH -> ENGINE -> 060400 INLET PIPE (AIR CLEANER)

Update Date: 14/11/2014, Printing Date: 23/07/2015



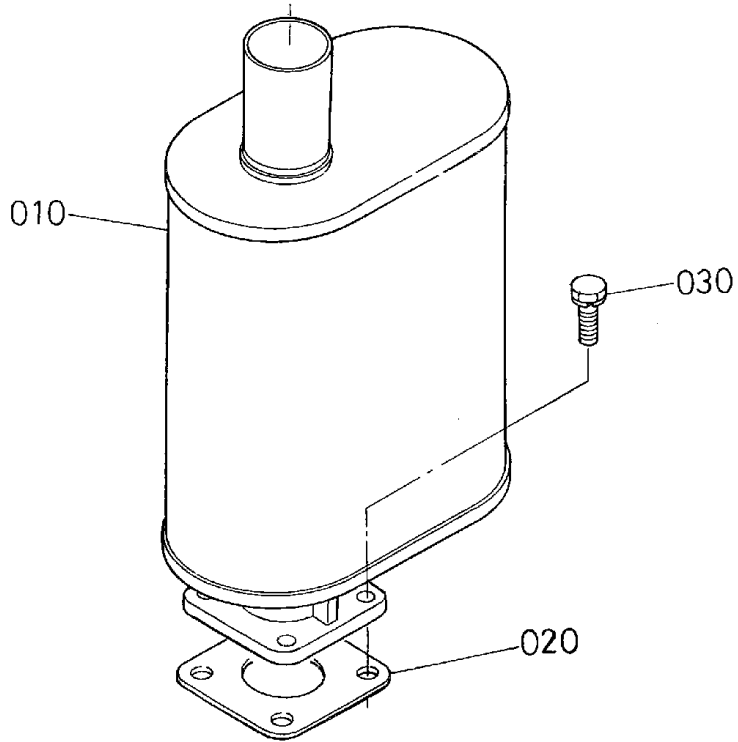
E9121-015-10

Interchangeable =, Not Interchangeable NI, New for Old >>, Old for New <<

No	Part Number	Part Name	Qty	IC	S/N	Remarks	Kg
010	E9121-11620	HOSE,INLET	1				0.165
020	15401-11720	BAND,PIPE	1				0.05
030	66704-58250	CLAMP	1				0.025

DF1005-E2BBH -> ENGINE -> 060500 MUFFLER

Update Date: 14/11/2014, Printing Date: 23/07/2015



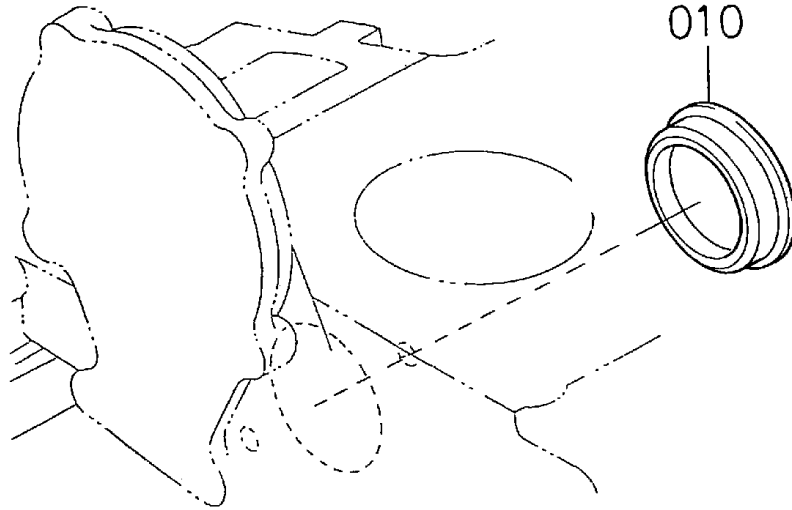
E9121-016-10

Interchangeable =, Not Interchangeable NI, New for Old >>, Old for New <<

No	Part Number	Part Name	Qty	IC	S/N	Remarks	Kg
010	E9122-12110	MUFFLER	1				3,62
020	15263-12370	PACKING,MUFFLER	1				0,015
030	01123-50825	BOLT,SEMS	4				0,013

DF1005-E2BBH -> ENGINE -> 070000 HYDRAULIC PUMP

Update Date: 14/11/2014, Printing Date: 23/07/2015



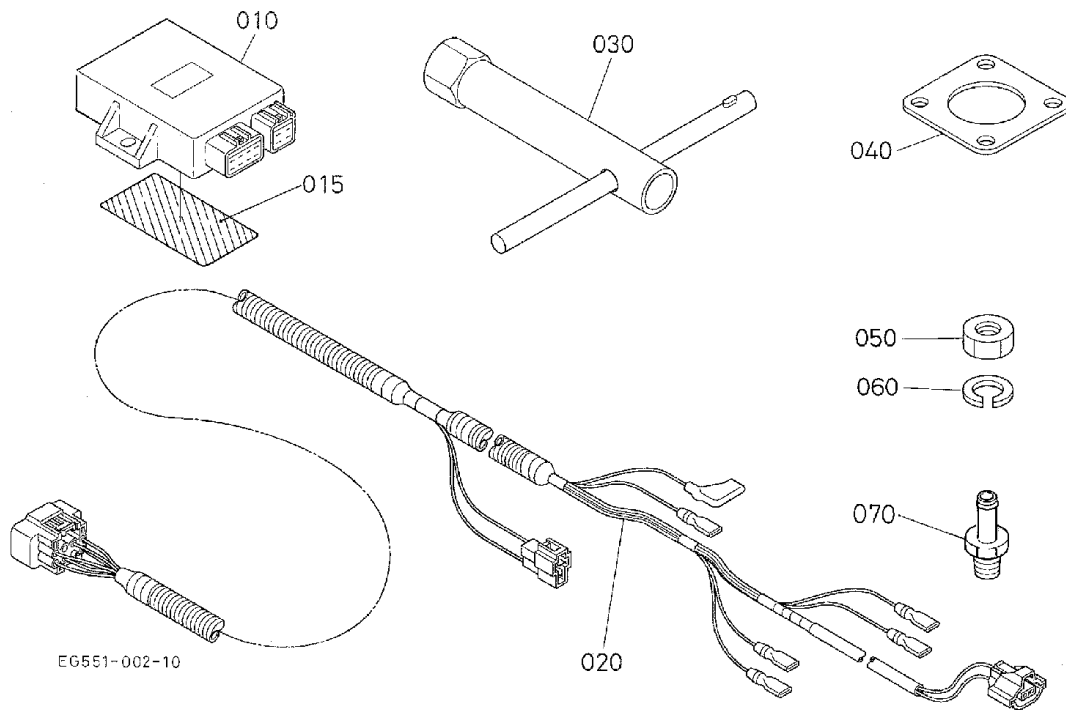
1G 299-036-10

Interchangeable =, Not Interchangeable NI, New for Old >>, Old for New <<

No	Part Number	Part Name	Qty	IC	S/N	Remarks	Kg
010	16264-83152	COVER, HYDRAULIC PUMP	1		<=5G5764		0.028
010	16264-83153	COVER, HYDRAULIC PUMP	1	>>	>=5U1374		0.028

DF1005-E2BBH -> ENGINE -> 080800 ACCESSORIES AND SERVICE PARTS

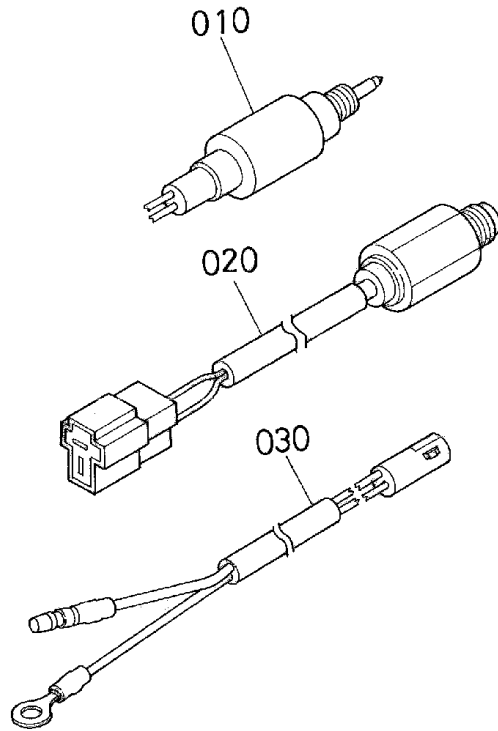
Update Date: 14/11/2014, Printing Date: 23/07/2015



Interchangeable =, Not Interchangeable NI, New for Old >>, Old for New <<

No	Part Number	Part Name	Qty	IC	S/N	Remarks	Kg
010	E9121-68100	ASSY IGNITER(B)	1				0.27
010	E9121-68090	ASSY IGNITER(A)	1				0.26
010	E9121-68110	ASSY IGNITER(C)	1				0.26
015	E9121-87210	LABEL,IGNITER	1				0.001
020	E9121-68470	WIRE HARNESS	1				0.16
030	12581-86200	WRENCH,SPARK PLUG	1				0.13
040	15263-12370	PACKING,MUFFLER	1				0.015
050	02014-50060	HEX.NUT	1				0.002
060	04512-50060	WASHER,SPRING LOCK	1				0.001
070	E9121-11970	JOINT	1				0.01

Update Date: 14/11/2014, Printing Date: 23/07/2015



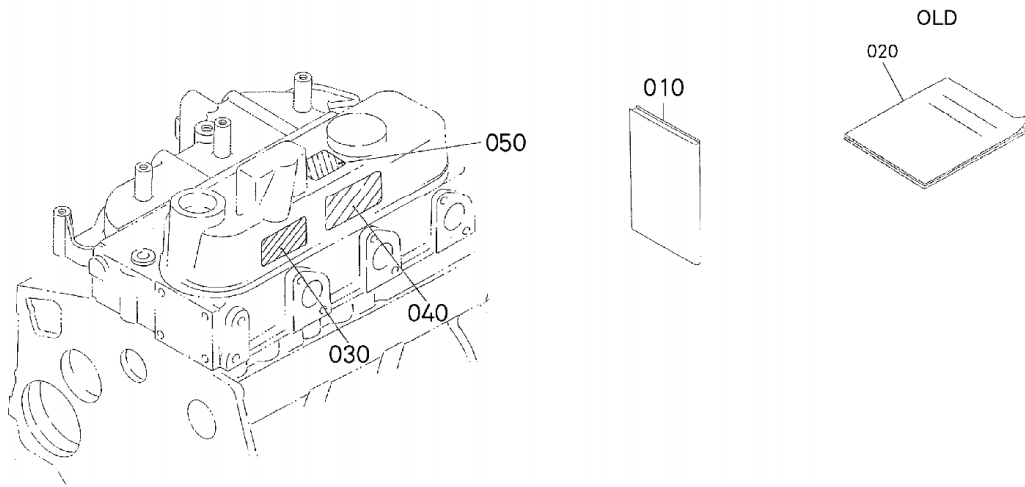
EG653-008-10

Interchangeable =, Not Interchangeable NI, New for Old >>, Old for New <<

No	Part Number	Part Name	Qty	IC	S/N	Remarks	Kg
010	EG551-44720	ASSY SOLENOID	1				0.048
020	EG551-44790	ASSY SOLENOID,LPG	1				0.07
030	EG551-44920	ASSY TERMINAL	1				0.007

DF1005-E2BBH -> ENGINE -> 080900 LABEL AND OPERATOR'S MANUAL

Update Date: 14/11/2014, Printing Date: 23/07/2015



EG551-003-12

EG551-803-10

Interchangeable =, Not Interchangeable NI, New for Old >>, Old for New <<

No	Part Number	Part Name	Qty	IC	S/N	Remarks	Kg
010	EG551-89162	OPERATOR'S MANUAL	1				0.024
020	EG501-89801	STATEMENT,WARRANT Y	1		<=4P9999		0.0
020	EG501-89802	STATEMENT,WARRANT Y	1	NI	>=4Q0001		0.015
020	EG501-89803	STATEMENT,WARRANT Y	1	NI	>=8A0001		0.015
020	EG501-89804	STATEMENT,WARRANT Y	1	>>	>=AA0001		0.015
020	EG501-89804	STATEMENT,WARRANT Y	1		>=AA0001		0.015
030	19426-87903	LABEL	1				0.001
040	19426-87880	LABEL,INSTRUCTION	1				0.001
050	12599-88222	LABEL,CAUTION	1		<=9FZ999	ORDER BY REF.No.050 NEW PART.	0.001
050	12599-88223	LABEL,CAUTION	1	>>	>=9G0001		0.001