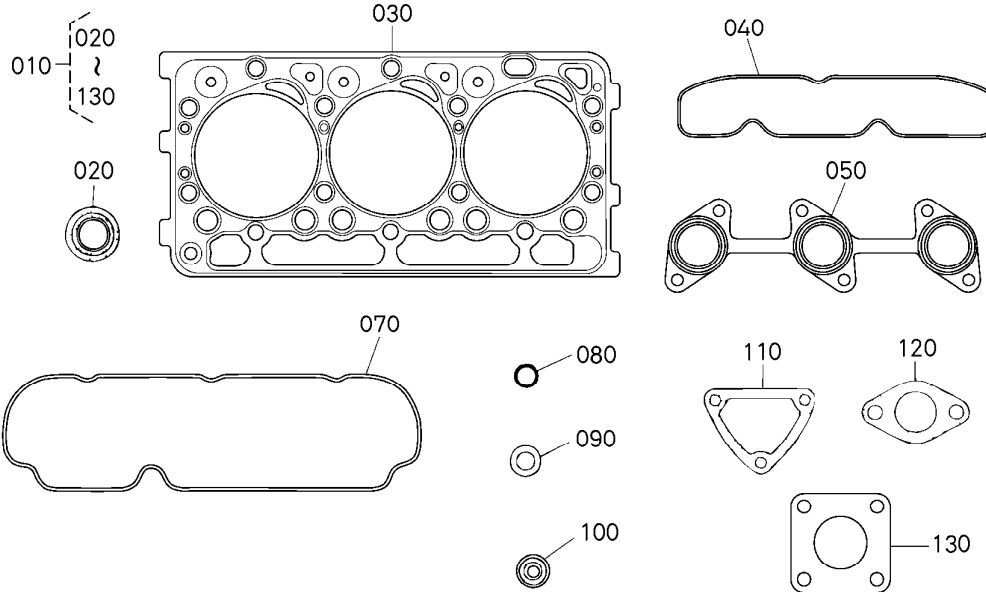
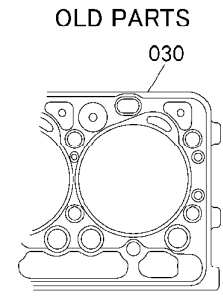


090001 UPPER GASKET KIT [OPTION] SUPERIOR JUNTA KIT [OPCION] JEU DE JOINTS [OPTION]



1G448-005-13



1G687-805-10

A: D902-E3B-KEA-1

REF. No. No. DE REF. POS. No.	PART No. No. REF. REFERENCE	PART NAME	DESCRIPCION	DESIGNATION	Q' TY/S. No. CANTIDAD/No. DE SERIE Q' TE/No. S.		I. C.	REMARKS NOTA REMARQUES
					A	B		
010	1G823-9935-3	KIT GASKET, UPPER	KIT JUNTA, SUPERIOR	JEU DE JOINTS SUPER.	1 ≤=7XZ999	-		#
010	1G823-9935-4	KIT GASKET, UPPER	KIT JUNTA, SUPERIOR	JEU DE JOINTS SUPER.	1 ≥=7Y0001	-	←	#
020	11420-1315-0	SEAL, VALVE STEM	RETEN, VLV. VSTG	JOINT DE SOUPAPE	6	-		
030	1G962-0331-2	GASKET, CYLINDER HEAD	JUNTA, CLNDR CLT	JOINT	1 ≤=7XZ999	-		#
030	1G962-0331-3	GASKET, CYLINDER HEAD	JUNTA, CLNDR CLT	JOINT	1 ≥=7Y0001	-	←	#
040	1G962-1182-0	GASKET, IN-MANIFOLD	JUNTA, ENTRD-CLCTR	JOINT DE COLL. ADM.	1	-		
050	1G962-1235-0	GASKET, EX-MANIFOLD	JUNTA, ESCP-CLCTR	JOINT DE COLL. ECHAP.	1	-		
060		BLANK	POSTIZO	BLANC	-	-		
070	1G962-1452-2	GASKET, HEAD COVER	JUNTA, CLT CBRT	JOINT COUVRE-CULASSE	1	-		
080	04814-50300	O RING	O ARO	JOINT TORIQUE	1	-		
090	15841-5362-2	GASKET	JUNTA	JOINT	3	-		
100	19077-5365-0	SEAL, HEAT	RETEN. CALOR	JOINT DE CHALEUR	3	-		
110	15841-7292-3	GASKET, WATER FLANGE	JUNTA, AGUA BRIDA	JOINT DE BRIDE A EAU	1	-		
120	16221-7327-0	GASKET, THERMOSTAT	JUNTA, TERMOSTATO	JOINT	1	-		
130	15263-1237-0	GASKET, MUFFLER NA	JUNTA, SILENCIADOR NA	JOINT	1	-		

↔ Interchangeable; ≠ not interchangeable; ← new for old; → old for new