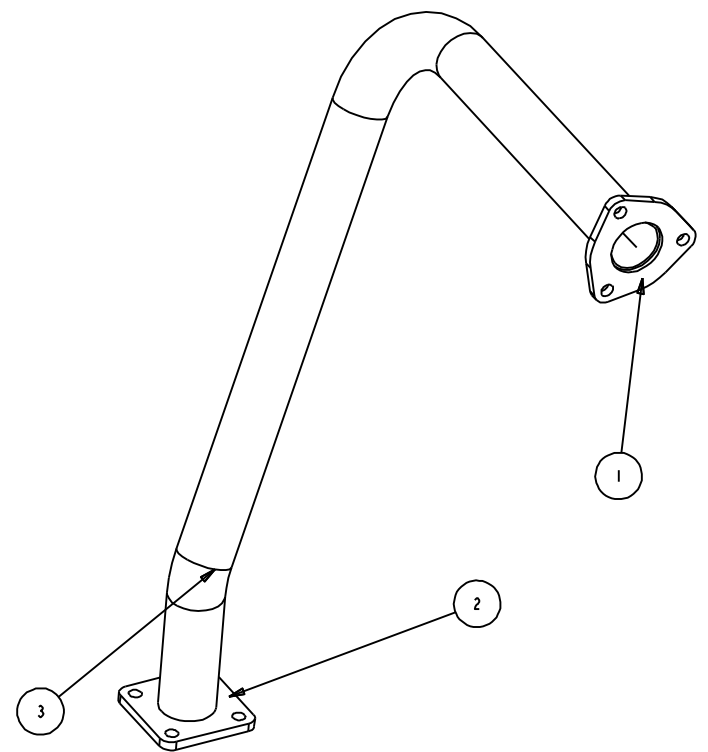


BILL OF MATERIAL			
ITEM	PART NO.	RECD	DESCRIPTION
1	3306194	1	FLANGE-WD EXH MANIF SW71 KBA
2	3337932	1	WD--FLANGE-WD EXH MANIF SW/62 DSL
3	3337938	1	PIPE-EXHAUST 6X



CONFIDENTIAL

THIS DRAWING AND ALL INFORMATION CONTAINED HEREIN ARE THE EXCLUSIVE PROPERTY OF MINUTEMAN INTERNATIONAL, INC. THIS DRAWING IS NOT TO BE COPIED OR OTHERWISE REPRODUCED WITHOUT EXPRESSED WRITTEN PERMISSION OF MINUTEMAN INTERNATIONAL, INC. IN ADDITION, THIS DRAWING MUST BE RETURNED UPON REQUEST. FURTHER, ALL INFORMATION CONTAINED HEREIN MUST BE MAINTAINED CONFIDENTIAL.

TITLE PIPE-EXHAUST 6X 902 W/ 1G4701231 MANFOLD		SCALE	NTS
MATERIAL 1 1/2" OD X 1/16" WALL TUBE		FINISH HIGH TEMP BLACK	
TOLERANCES (UNLESS OTHERWISE SPECIFIED) .X ± .1 .XX ± .03 .XXX ± .010		PROJECTION ANGLE ANGULAR X ± 1° .X ± .5°	REMOVE BURRS AND BREAK SHARP EDGES .005/.020
BY	CRC	DATE	5/31/12
CHECKED BY		DATE	00/00/01

Minuteman PowerBoss 175 ANDERSON STREET ABERDEEN, NC 28315

P.N. 3337931 REV *
SHEET 1 OF 1

REV	ECN	DATE	CHANGE	BY	CHK BY
.	1760	6/31/12	RELEASED FOR PRODUCTION	CRC	

