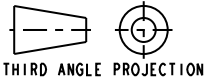
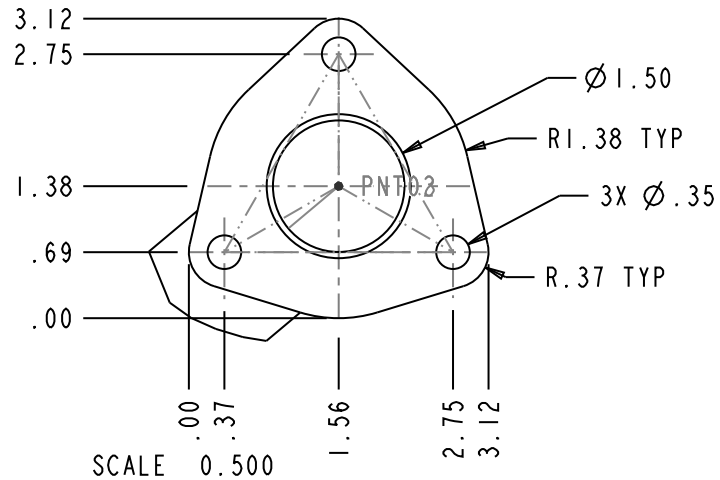
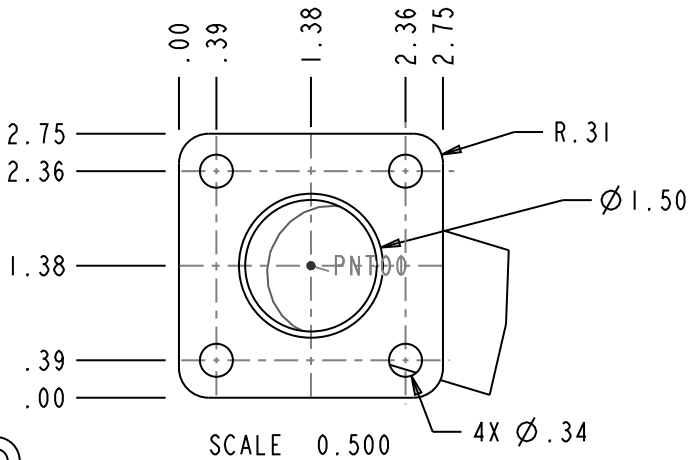
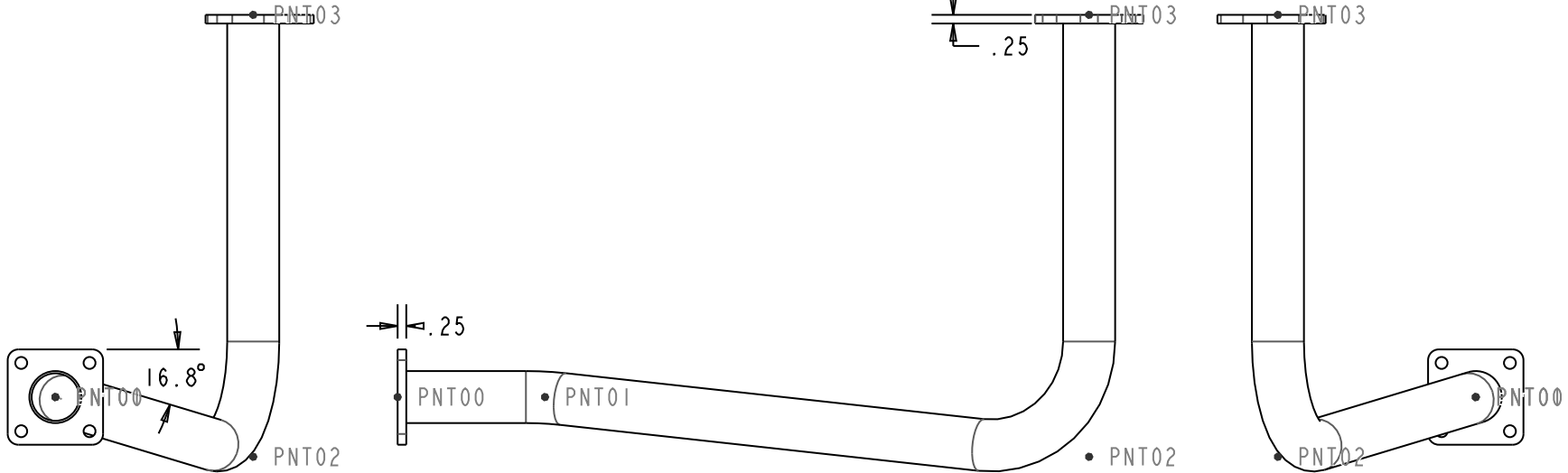
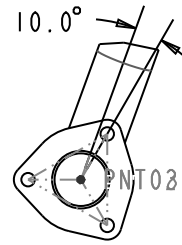


REV	DATE	DESCRIPTION OF CHANGE	BY:
A	16-May-12	RELEASED FOR PRODUCTION	edgiii

COORDINATES			
POINT	X	Y	Z
0	.000	.000	.000
1	4.25	.00	.00
2	19.94	-1.72	5.70
3	19.94	11.03	5.70



SCALE: 0.200

Pro/E

This Document and all information contained in this document are confidential and proprietary to EPS. Unauthorized possession or use thereof is prohibited. This document, or any part hereof, or any information contained herein, may not be duplicated, reproduced, or disclosed to any person for any purpose except as specifically authorized in writing by EPS. By accepting this document, recipient agrees to comply with the foregoing and to return this document to EPS immediately upon request. Unpublished-all rights reserved under copyright laws.

UNSPECIFIED TOLERANCES BEND TOLS...030 ANGULAR...1/2 FRACTION...05 .XX XXX.....005	SHEET NUMBER	1 of 1
	DATE	16-May-12
CAD BY	edgiii	MATERIAL
DATE	16-May-12	
REVISION	A	DESCRIPTION
ENGINE	POWER	348 Bryant Blvd, Rock Hill, SC 29732
SOURCE	SOURCE	Phone: 800-374-7522
PART NUMBER	EPS6370W	POWERBOSS 6X EST PIPE 3337931
		ADDITIONAL FINISH
		15" Aluminized Tubing
		NONE