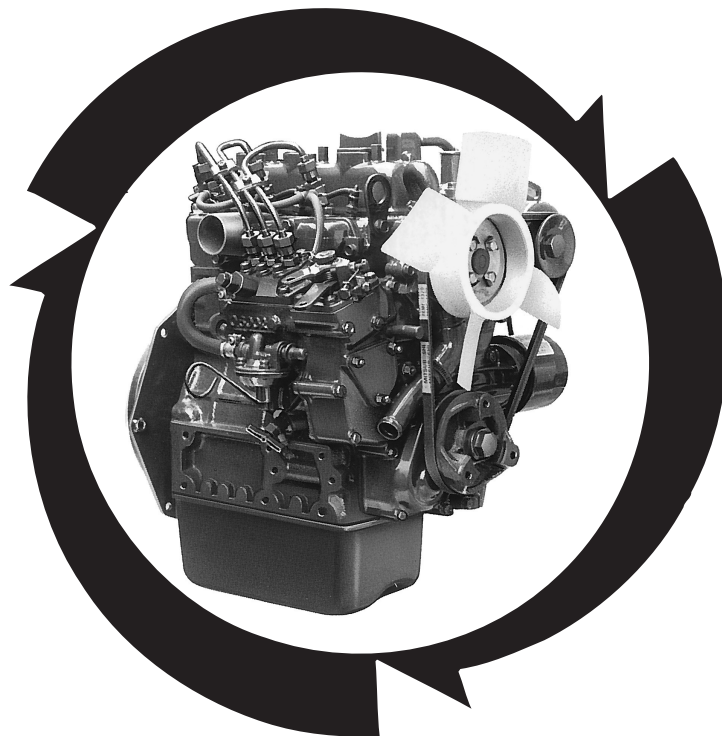


ILLUSTRATED PARTS LIST

KUBOTA

MODEL D722-E2B-MNTM-1

DIESEL ENGINE



Kubota

978P8-66170
DEC. 2004

NOTICE

This Parts List is for the following purposes.

1. When ordering parts, check with this Parts List to confirm the part number and the name of parts.
2. When making repairs, refer to the illustrations in this Parts List.
3. This Parts List is subject to change without notice.

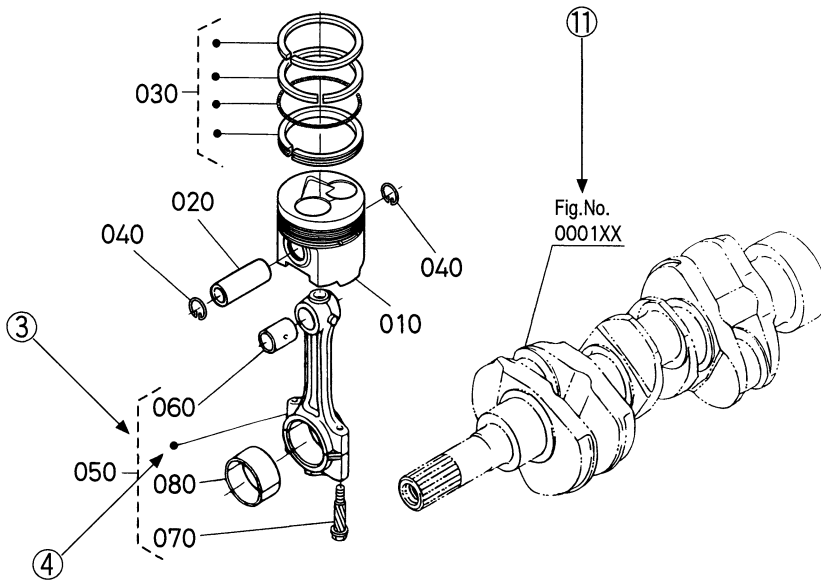
MODEL	CODE No.
D722-E2B-MNTM-1	1G958-36000

INSTRUCTIONS

① 0102 PISTON AND CRANKSHAFT

②
[B]

⑩ → S.No. ; A: ≤15000, B: 14000 to 15000



REF. No	PART No.	PART NAME	Q'TY/S.No.		I.C.	REMARKS
			A	B		
010	15800-0000-0	PISTON	1 ≤15000	1 ≤15000		[Example-1]
010	15800-0000-2	PISTON	1 >=15001	1 >=15001		←
020	15800-1000-0	PIN,PISTON	1 ≤15000	1 ≤15000		
020	15800-1000-2	PIN,PISTON	1 >=15001	1 >=15001		≠ ← [Example-2]
030	15800-2000-0	ASSY PISTON RING	1 ≤15000	1 ≤15000		
030	15830-2000-0	ASSY PISTON RING	1 >=15001	1 >=15001		↔ [Example-3]

A:XXXXX, B:XXXXX

- ① Fig. No. Represents No. corresponding to each group name.
- ② Specifications The types and destinations of sister models are indicated. These indications are given to tell their relevant pages in this book.
- ③ Components The components of an assembly are identified by a bracket of dotted lines.
- ④ Point Indicates that the parts is not sold independently.
The assembly (Ref.No.050) containing the part needs to be ordered.
- ⑤ REF. No. Reference numbers are assigned to parts in the illustration.The code number of a part in the illustration can be identified by referring to the same reference number in the parts list.
- ⑥ Model name The name of the basic model is indicated in this column. Other applicable models are indicated on the "REMARKS" column ⑨.
- ⑦ S. No. Indicates a group of serial numbers to which a design change is applied.
(serial No.)

Engine Serial No. .. Old Serial No.

654321 ... 6 digits all in numerals.

New Serial No.

Y A 4321

↑ Lower 4 digits in numerals.
↑ 5th digit ... Alphabetical letter (Month of manufacture).

Alphabetical letter	A,B	C,D	E,F	G,H	J,K	L,M	N,P	Q,R	S,T	U,V	W,X	Y,Z
Month	1	2	3	4	5	6	7	8	9	10	11	12

↑ 6th digit ... Alphabetical letter or numerals (Year of manufacture).

Alphabetical letter or numerals	W	X	Y	1	2	3	4	5	6	7	8	9	A	B	C
Year	'98	'99	2000	'01	'02	'03	'04	'05	'06	'07	'08	'09	'10	'11	'12

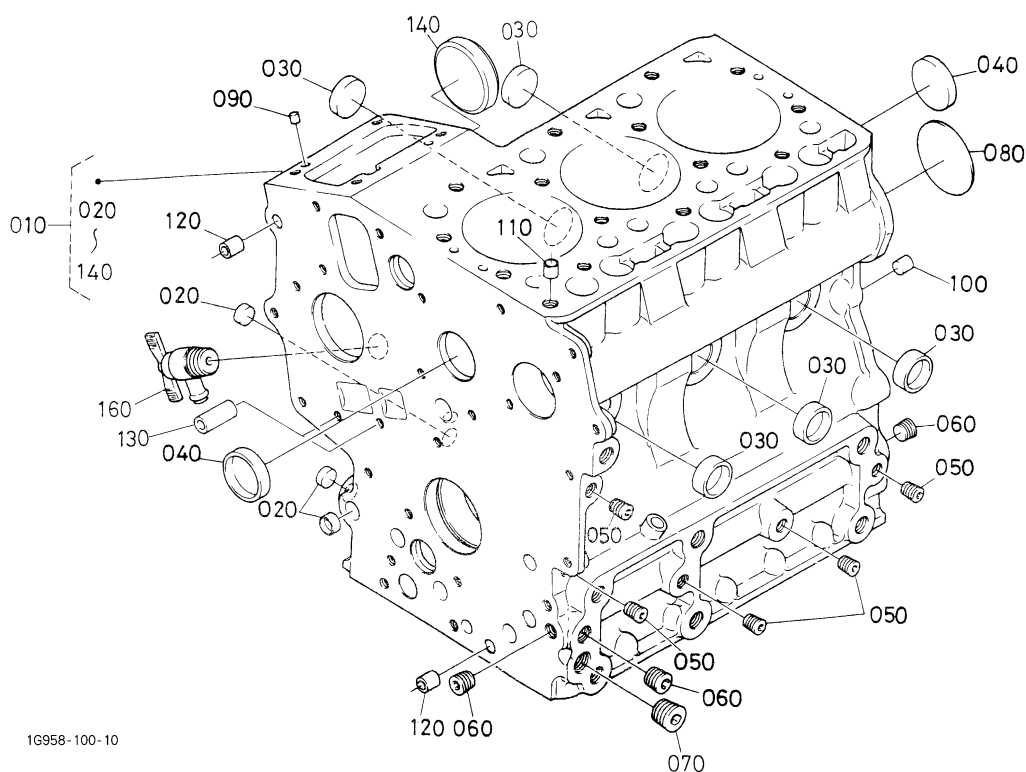
- ⑧ I. C. Indicates the interchangeability of parts due to design change.
(interchangeability)
Example-1 ← indicates that a new part can replace an old part, but not vice versa.
15800-0000-0 is applicable to the first serial number to S. No. 15000.
15800-0000-2 is applicable to the first serial number and above.
Example-2 ≠ indicates that the new and old parts are not interchangeable.
15800-1000-0 is applicable to the first serial number to S. No. 15000.
15800-1000-2 is applicable to S. No. 15001 and above.
Example-3 ↔ indicates that the new and old parts are interchangeable. Both 15800-2000-0 and 15830-2000-0 are applicable to the first serial number and above.
- ⑨ REMARKS 1 In this column, enter other applicable model names, dimensions and other special items. The following symbols and abbreviations are used throughout this book.
29*12.00-15 ... Tire size sq.m m² sq.mm mm²
cu.m m³ cu.mm ... mm³ D ... Diameter L ... Length
- ⑩ REMARKS 2 The following expressions are used in NOTE for each group.
Machines' serial numbers are indicated as follows.
<=15000 Serial number below 15000.
>=15001 Serial number above 15001.
14000 to 15000 Serial number 14000 to 15000.
For some models, the above expressions may also be used REMARKS 1 ⑨.
- ⑪ Fig. No. Indicates the numbers of figures for the parts that are shown in virtual images.
(virtual images) A figure number with XX means that there are two or more figures depending on the sister models.

CONTENTS

[D722-E2B-MNTM-1]

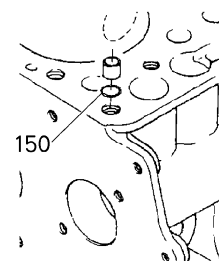
0001	CRANKCASE	1
0002	OIL PAN	2
0003	CYLINDER HEAD	3
0004	GEAR CASE	4
0005	HEAD COVER	5
0006	OIL FILTER	6
0007	DIPSTICK AND GUIDE	7
0008	OIL PUMP	8
0100	MAIN BEARING CASE	9
0101	CAMSHAFT AND IDLE GEAR SHAFT	10
0102	PISTON AND CRANKSHAFT	11
0103	FLYWHEEL	13
0105	FUEL CAMSHAFT AND GOVERNOR SHAFT	14
0200	IDLE APPARATUS	15
0201	STOP SOLENOID	16
0202	INJECTION PUMP	17
0205	SPEED CONTROL PLATE	18
0206	NOZZLE HOLDER AND GLOW PLUG	19
0207	NOZZLE HOLDER (COMPONENT PARTS)	20
0212	FORK LEVER (GOVERNOR)	22
0300	FUEL FILTER	23
0302	FUEL PUMP (ELECTRICAL)	24
0305	COVER	25
0402	ALTERNATOR AND PULLEY	26
0403	ALTERNATOR (COMPONENT PARTS)	27
0404	STARTER	28
0405	STARTER (COMPONENT PARTS)	29
0406	OIL SWITCH/THERMOMETER AND PLUG	31
0500	WATER FLANGE AND THERMOSTAT	32
0501	WATER PUMP	33
0502	RADIATOR	34
0503	WATER PIPE	35
0504	FAN	36
0505	RESERVE TANK	37
0600	VALVE AND ROCKER ARM	38
0601	INLET MANIFOLD	39
0602	EXHAUST MANIFOLD	40
0603	AIR CLEANER	41
0604	INLET PIPE	42
0605	MUFFLER	43
0801	STARTER SWITCH	44
0803	PULLEY SHAFT (STUB SHAFT)	45
0809	LABEL AND OPERATOR'S MANUAL	46
0903	PISTON KIT	47
■	NUMERICAL INDEX	48

0001 CRANKCASE



1G958-100-10

OLD PARTS



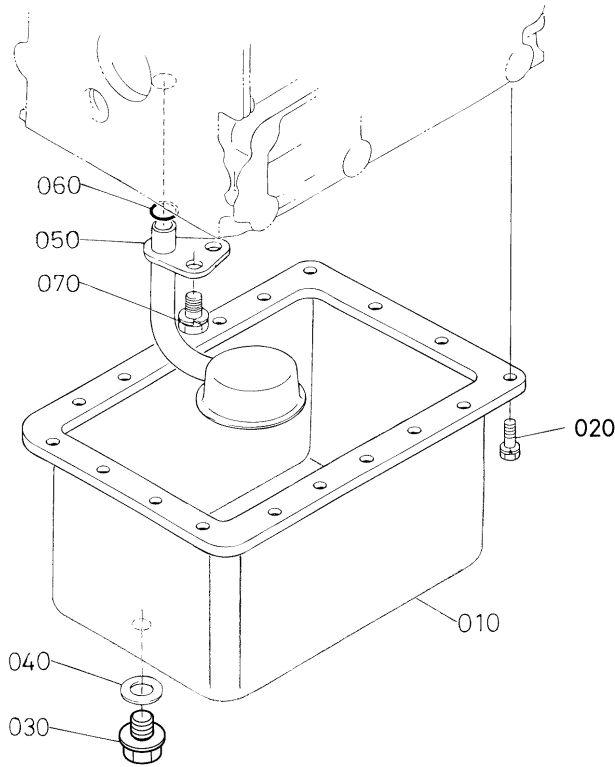
1G639-864-10

A:D722-E2B-MNTM-1

REF. No.	PART No.	PART NAME	Q' TY/S. No.		I. C.	REMARKS
			A	B		
010	16873-0101-6	COMP. CRANKCASE	1	-		
010	16873-0101-8	COMP. CRANKCASE	≤5K3553	-		
010	16873-0102-0	COMP. CRANKCASE	1	-	←	
020	16851-9626-0	CAP, SEALING	≥5L0190	-		
030	16851-9627-0	CAP, SEALING	1	-	←	#
040	15451-9627-0	CAP, SEALING	≥600308	-		
050	15261-9601-0	PLUG	3	-		
060	15521-9602-0	PLUG	5	-		
070	15521-9603-0	PLUG	2	-		
080	15261-9616-0	PLUG, EXPANSION	5	-		
090	05012-00508	PIN, STRAIGHT	3	-		
100	05012-00814	PIN, STRAIGHT	2	-		
110	15221-3365-0	PIN, PIPE	2	-		
120	15231-3396-0	PIN, PIPE	1	-		
130	17331-5919-0	PIN, PIPE	2	-		
140	16851-1621-2	COVER, FUEL CAMSHAFT	2	-		
150	15221-3370-0	O RING	1	-		
160	15841-7302-0	ASSY COCK, DRAIN	≤5T4330	-		
			1	-		

↔ Interchangeable; ≠ not interchangeable; ← new for old; → old for new

0002 OIL PAN



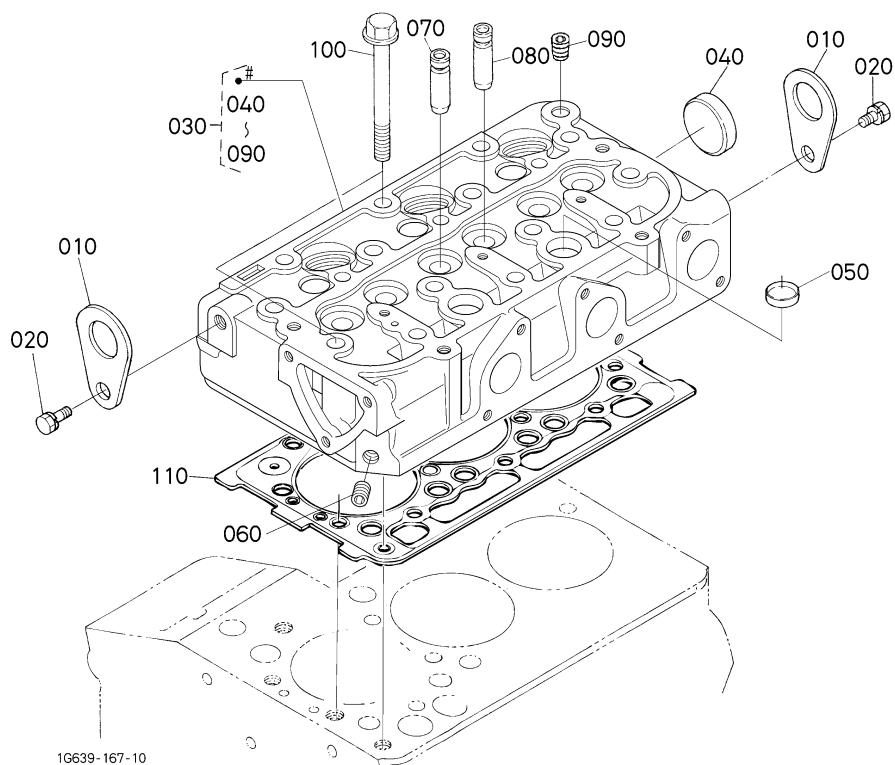
16682-002-13

A: D722-E2B-MNTM-1

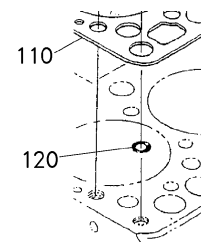
REF. No.	PART No.	PART NAME	Q' TY/S. No.		I. C.	REMARKS
			A	B		
010	16863-0150-0	COMP. OIL PAN	1 ≤5G3261	-		#
010	16863-0150-5	COMP. OIL PAN	1 ≥5J0138	-	↔	#
020	01023-50612	BOLT	18	-		
030	15707-3375-0	PLUG, DRAIN	1	-		
040	15451-9667-0	GASKET	1 ≤5G3261	-		#
040	16265-9667-0	GASKET	1 ≥5J0138	-	←	#
050	16851-3211-0	FILTER, OIL	1	-		
060	04814-00160	O RING	1	-		
070	01123-60814	BOLT	1	-		

↔ Interchangeable; ≠ not interchangeable; ← new for old; → old for new

0003 CYLINDER HEAD



OLD PARTS



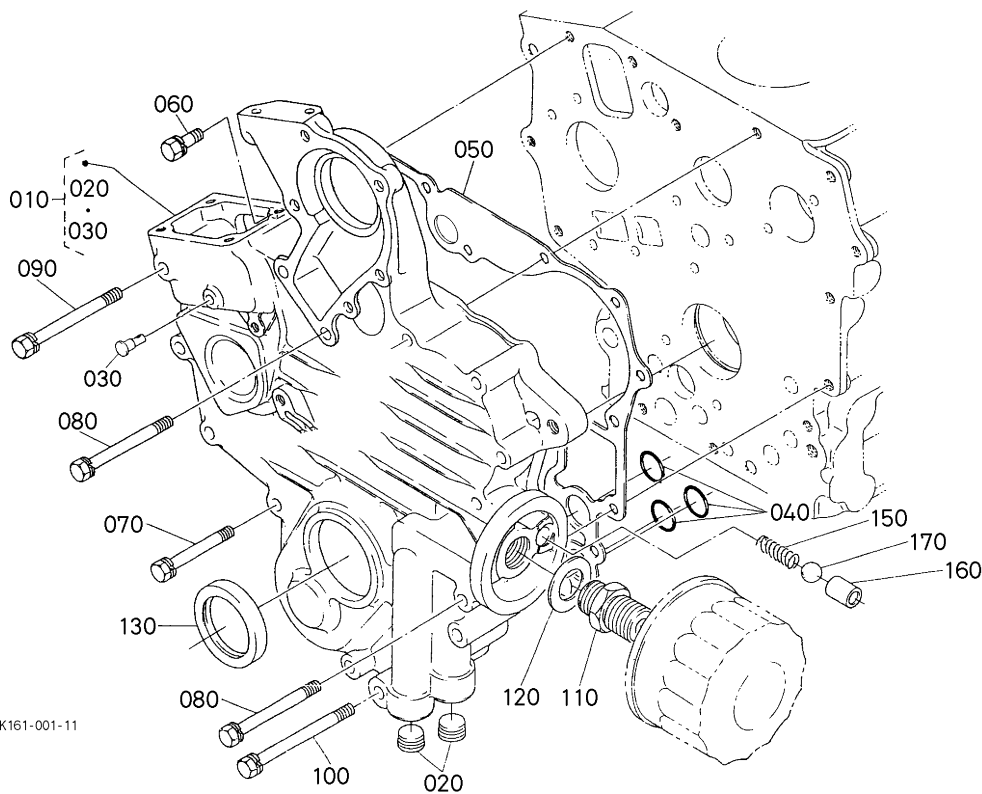
1G958-804-10

A:D722-E2B-MNTM-1

REF. No.	PART No.	PART NAME	Q' TY/S. No.		I. C.	REMARKS
			A	B		
010	15221-0175-0	HOOK, ENGINE	2	-		
020	01123-60816	BOLT	2	-		
030	1G968-0304-0	COMP. CYLINDER HEAD	1	-		
040	15321-9626-0	CAP, SEALING	1	-		
050	15261-0337-0	CAP, SEALING	2	-		
060	15261-9601-0	PLUG	1	-		
070	15841-1354-0	GUIDE, INLET VALVE	3	-		
080	15841-1356-0	GUIDE, EXHAUST VALVE	3	-		
090	15841-9602-0	PLUG	1	-		
100	14601-0345-0	BOLT, CYLINDER HEAD	14	-		
110	16871-0331-0	GASKET, CYLINDER HEAD	1	-		
110	16871-0331-2	GASKET, CYLINDER HEAD	≤5T4330	-		
120	15221-3370-0	O RING	≥5U0507	-	≠	
			≤5T4330	-		

↔ Interchangeable; ≠ not interchangeable; ← new for old; → old for new

0004 GEAR CASE



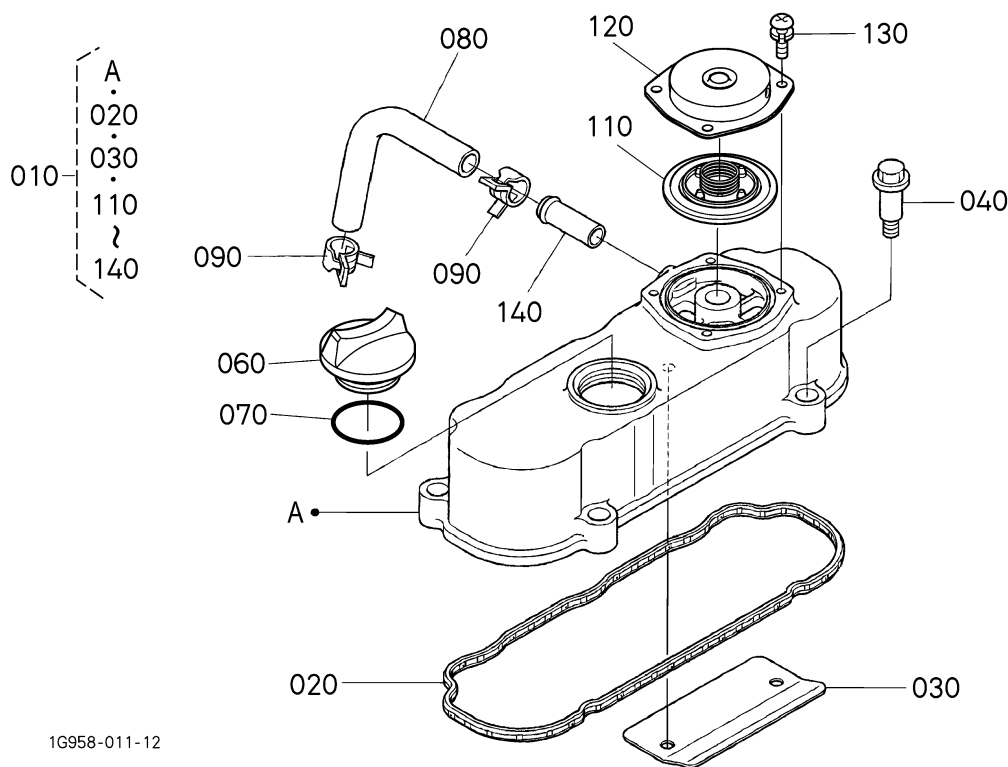
1K161-001-11

A:D722-E2B-MNTM-1

REF. No.	PART No.	PART NAME	Q' TY/S. No.		I. C.	REMARKS
			A	B		
010	16851-0402-4	COMP. CASE, GEAR	1	-		
020	15521-9603-0	PLUG	2	-		
030	15841-5628-0	PIN, START SPRING	1	-		
040	04814-06130	O RING	3	-		
050	15862-0413-2	GASKET, GEAR CASE NA	1	-		
060	01023-50618	BOLT	1	-		
070	01023-60650	BOLT	8	-		
080	15841-9101-0	BOLT	5	-		
090	01023-60670	BOLT	1	-		
100	01023-50675	BOLT	1	-		
110	15241-3229-0	JOINT, PIPE	1	-		
120	15841-9401-0	WASHER, PLAIN	1	-		
130	15877-0414-0	SEAL, OIL	1	-		
140	----	BLANK	-	-		
150	16851-3695-0	SPRING	1	-		
160	15841-3693-0	SEAT, VALVE	1	-		
170	07715-03211	BALL	1	-		

↔ Interchangeable; ≠ not interchangeable; ← new for old; → old for new

0005 HEAD COVER



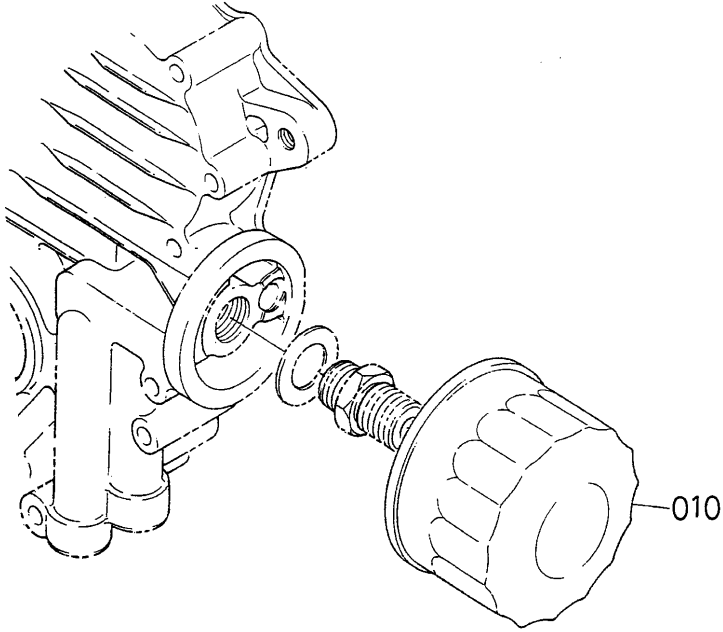
1G958-011-12

A:D722-E2B-MNTM-1

REF. No.	PART No.	PART NAME	Q' TY/S. No.		I. C.	REMARKS
			A	B		
010	1G958-1450-2	ASSY COVER, CYL. HEAD	1 ≤=5F3683	-	#	
010	1G958-1450-3	ASSY COVER, CYL. HEAD	1 ≥=5G0172	-	←	#
020	1G958-1452-0	GASKET, HEAD COVER	1	-		
030	1G958-0537-0	SHIELD, BREATHER	1	-		
040	1G911-9102-2	BOLT	4	-		
050	----	BLANK	-	-		
060	E9151-3314-0	PLUG, OIL FILLER	1	-		
070	04814-50300	O RING	1	-		
080	1G960-0551-0	TUBE, BREATHER	1 ≤=5B4048	-	#	
080	1G960-0551-2	TUBE, BREATHER	1 ≥=5C0001	-	←	#
090	09318-88125	CLAMP, HOSE	2	-		
100	----	BLANK	-	-		
110	1G911-0520-2	COMP. VALVE, BREATHER	1 ≤=5F3683	-	#	
110	1G911-0520-3	COMP. VALVE, BREATHER	1 ≥=5G0172	-	←	#
120	1G911-0512-0	COVER, BREATHER	1 ≤=5F3683	-	#	
120	1G801-0512-0	COVER, BREATHER	1 ≥=5G0172	-	↔	#
130	03024-50510	SCREW, WITH WASHER	4	-		
140	16241-7337-0	PIPE, WATER RETURN	1	-		

↔ Interchangeable; ≠ not interchangeable; ← new for old; → old for new

0006 OIL FILTER

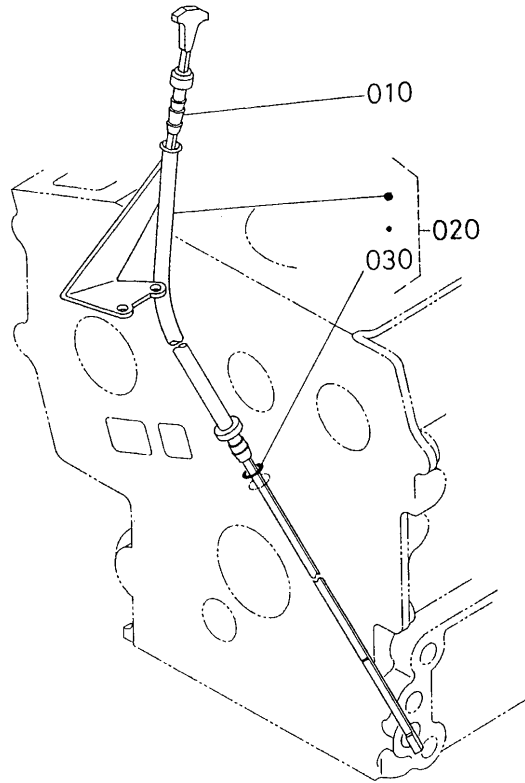


12691-006-10

A:D722-E2B-MNTM-1

REF. No.	PART No.	PART NAME	Q' TY/S. No.		I. C.	REMARKS
			A	B		
010	15853-3243-0	CARTRIDGE, OIL FILTER	1	-		

0007 DIPSTICK AND GUIDE



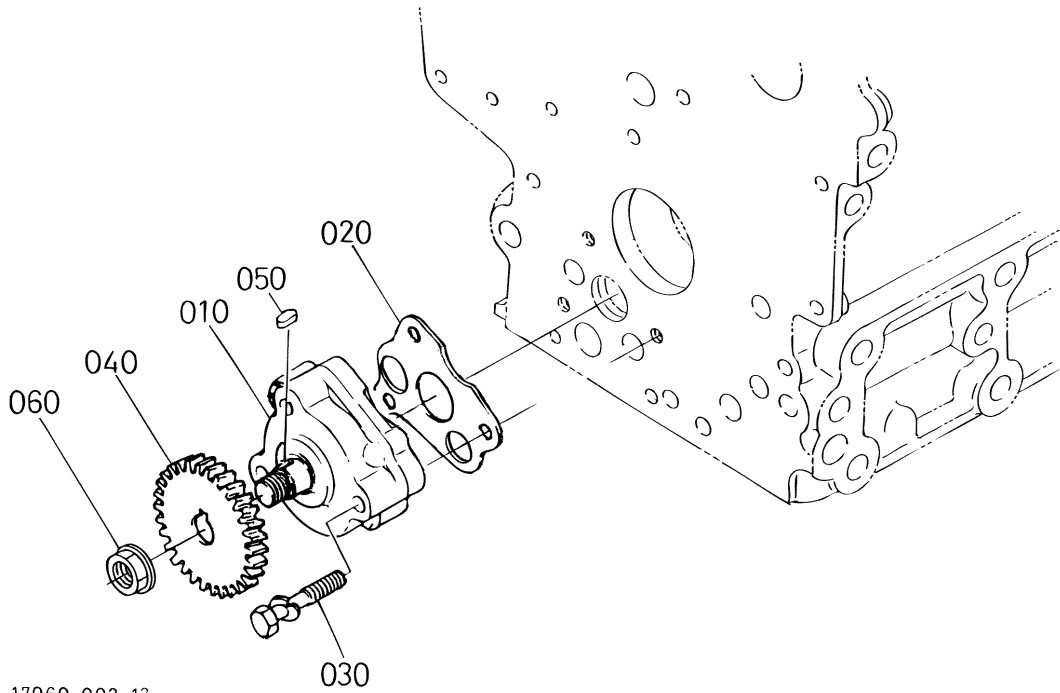
17472-001-20

A:D722-E2B-MNTM-1

REF. No.	PART No.	PART NAME	Q' TY/S. No.		I. C.	REMARKS
			A	B		
010	16875-3641-0	GAUGE, OIL	1	-		
020	16875-3650-2	ASSY GUIDE, OIL GAUGE	1	-		
030	04814-00090	O RING	1	-		

↔ Interchangeable; ≠ not interchangeable; ← new for old; → old for new

0008 OIL PUMP

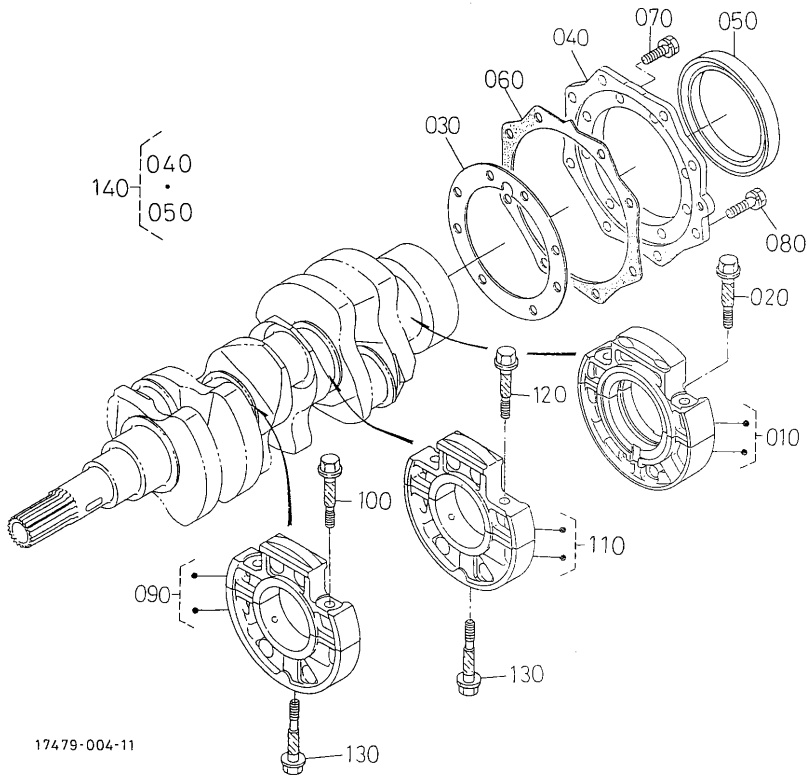


17060-002-13

A:D722-E2B-MNTM-1

REF. No.	PART No.	PART NAME	Q' TY/S. No.		I. C.	REMARKS
			A	B		
010	16851-3501-2	ASSY PUMP, OIL	1	-		
020	16851-3515-2	GASKET, OIL PUMP NA	1	-		
030	15841-9105-0	BOLT	3	-		
040	15841-3566-0	GEAR, OIL PUMP DRIVE	1	-		
050	05712-00408	KEY, FEATHER	1	-		
060	02783-50100	NUT, FLANGE	1	-		

0100 MAIN BEARING CASE

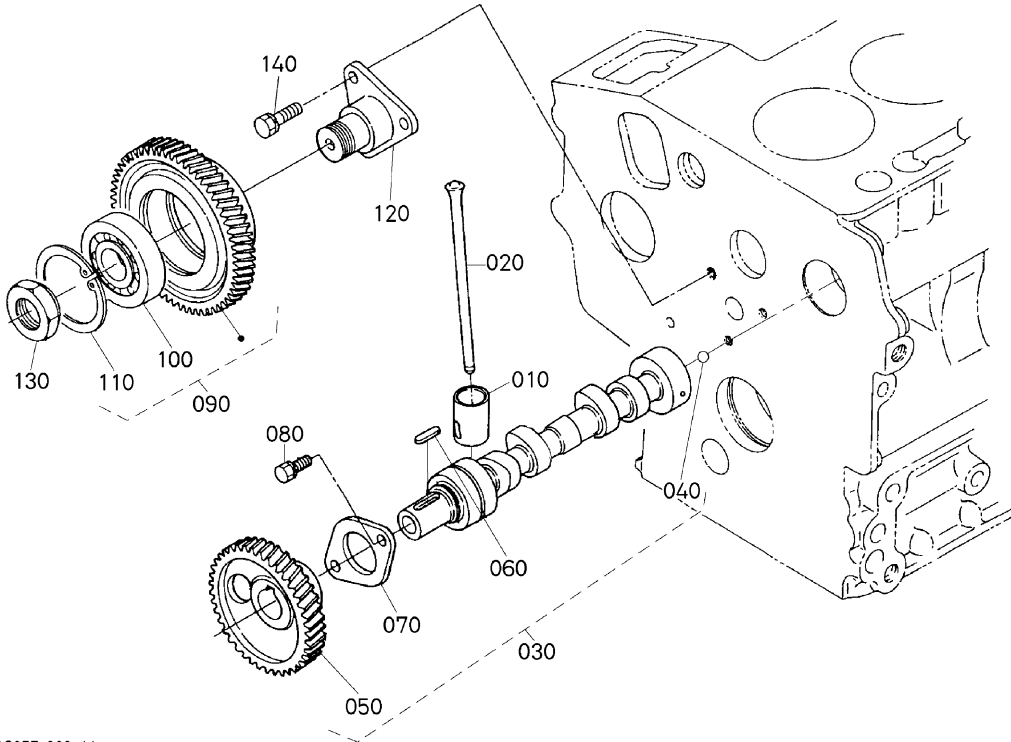


17479-004-11

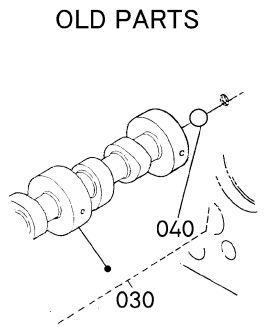
A:D722-E2B-MNTM-1

REF. No.	PART No.	PART NAME	Q' TY/S. No.		I. C.	REMARKS
			A	B		
010	16851-0409-2	ASSY CASE, MAIN BRG.	1	-		
020	15841-0454-0	BOLT, BEARING CASE	2	-		
030	15852-0436-0	GASKET, BEARING CASE	1	-		
040	15841-0481-0	COVER, BEARING CASE	1	-		#
040	15841-0481-5	COVER, BEARING CASE	1	-	←	#
050	19215-9916-0	SEAL, OIL	1	-		
060	15841-0482-2	GASKET	1	-		
070	01023-50620	BOLT	8	-		
080	01023-50622	BOLT	8	-		
090	16851-0404-0	ASSY CASE, MAIN BRG.	1	-		
100	15841-0454-0	BOLT, BEARING CASE	2	-		
110	16861-0405-0	ASSY CASE, MAIN BRG.	1	-		
120	15841-0454-0	BOLT, BEARING CASE	2	-		
130	15841-0456-2	BOLT, BEARING CASE	2	-		
140	15841-0480-0	ASSY COVER, BRG. CASE	1	-		#
140	15841-0480-3	ASSY COVER, BRG. CASE	1	-	←	#

0101 CAMSHAFT AND IDLE GEAR SHAFT



1G957-029-11



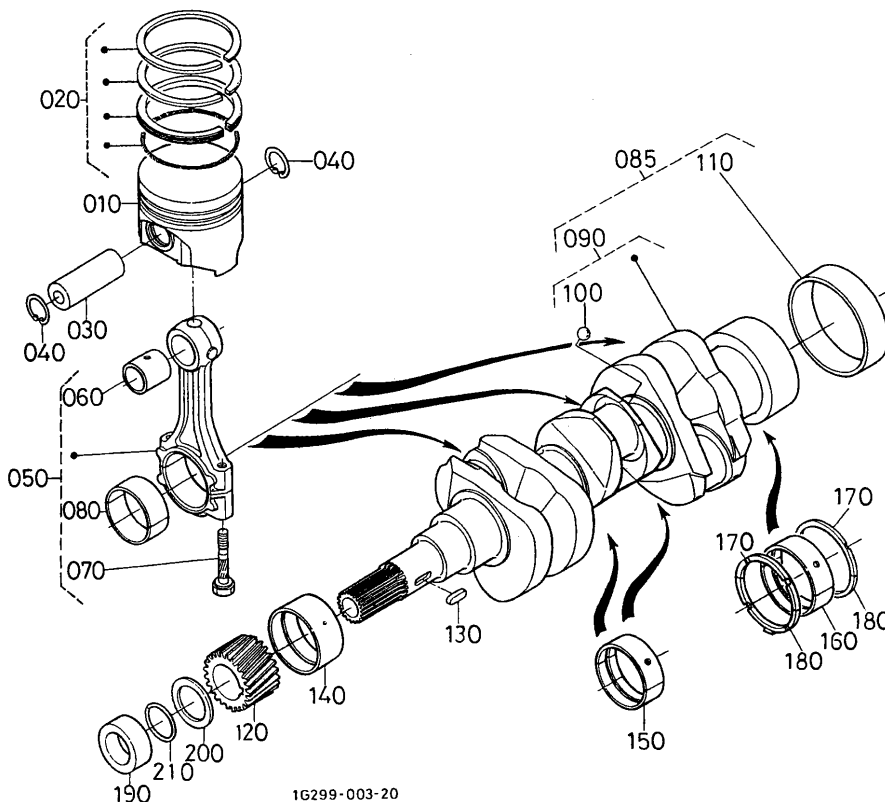
1G948-808-10

A:D722-E2B-MNTM-1

REF. No.	PART No.	PART NAME	Q' TY/S. No.		I. C.	REMARKS
			A	B		
010	16851-1555-2	TAPPET	6	-		
020	16851-1511-0	PUSH ROD	6	-		
030	16864-1601-0	ASSY CAMSHAFT	1	-	#	
030	16864-1601-5	ASSY CAMSHAFT	1	-	← #	
040	07715-00401	BALL	1	-		
050	16864-1651-0	GEAR, CAM	1	-		
060	05712-00518	KEY, FEATHER	1	-		
070	15841-1627-0	STOPPER, CAMSHAFT	1	-		
080	01023-50612	BOLT	2	-		
090	16864-2401-0	ASSY GEAR, IDLE	1	-		
100	16864-2429-0	BEARING	1	-		
110	04611-00520	CIR CLIP, INTERNAL	1	-		
120	16864-2425-0	SHAFT, IDLE GEAR	1	-		
130	16864-9201-0	NUT	1	-		
140	01023-50614	BOLT	3	-		

↔ Interchangeable; ≠ not interchangeable; ← new for old; → old for new

0102 PISTON AND CRANKSHAFT

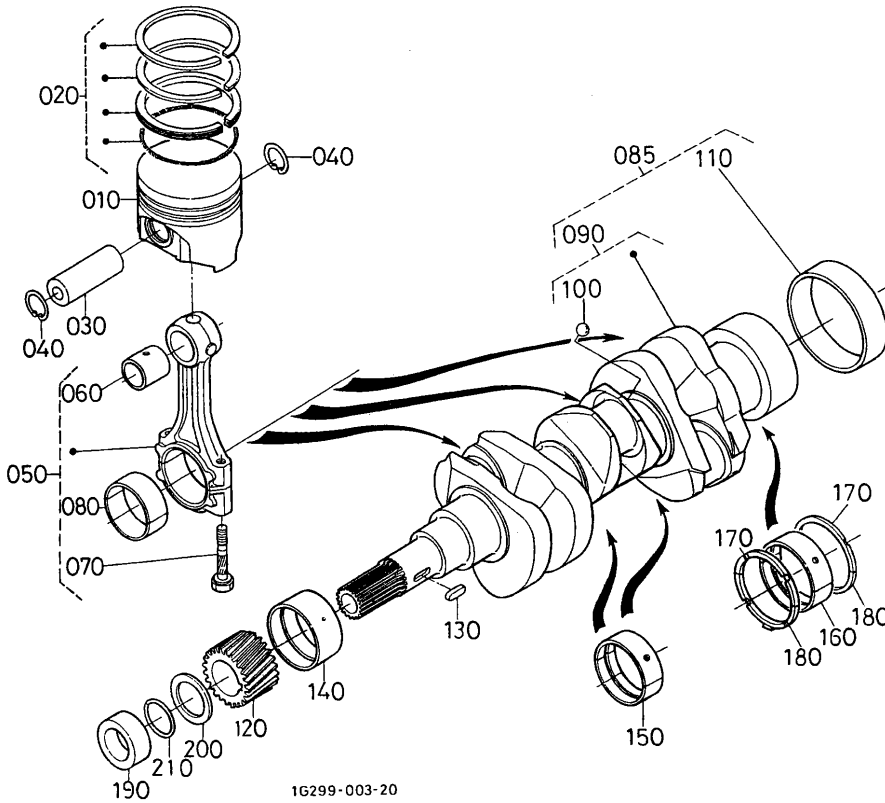


A:D722-E2B-MNTM-1

REF. No.	PART No.	PART NAME	Q' TY/S. No.		I. C.	REMARKS
			A	B		
010	16851-2111-2	PISTON	3 ≤7KZ999	-		#STD
010	16851-2111-4	PISTON	3 ≥7L000J	-	←	#STD
010	16851-2190-0	PISTON	3 ≤7KZ999	-		#+0.25mm
010	16851-2190-3	PISTON	3 ≥7L000J	-	←	#+0.25mm
020	16853-2105-0	ASSY PISTON RING	3	-		STD
020	16853-2109-0	ASSY PISTON RING	3	-		+0.25mm
030	16871-2131-0	PIN, PISTON	3	-		
040	15261-2133-0	CIR CLIP, PISTON PIN	6	-		
050	16851-2201-5	ASSY ROD, CONNECTING	3	-		
060	16851-2198-2	BUSH, PISTON PIN	3	-		
070	16851-2214-0	BOLT, CONNECTING ROD	6	-		
080	16851-2232-0	METAL, CRANKPIN M	3	-		STD SET
080	15861-2297-0	METAL, CRANKPIN	3	-		-0.20mm SET
080	15861-2298-0	METAL, CRANKPIN	3	-		-0.40mm SET
085	16863-2303-0	ASSY CRANKSHAFT	1 ≤6R5445	-		
085	16863-2303-2	ASSY CRANKSHAFT	1 ≥6S0165	-	←	
090	16861-2301-0	COMP. CRANKSHAFT	1 ≤6R5445	-		
090	16861-2301-2	COMP. CRANKSHAFT	1 ≥6S0165	-	←	
100	07715-03207	BALL	3	-		
110	19215-2328-0	SLEEVE, CRANKSHAFT	1	-		
120	16864-2411-0	GEAR, CRANKSHAFT	1	-		
130	05712-00515	KEY, FEATHER	1	-		
140	15861-2347-0	METAL, CRANKSHAFT	1	-		STD
140	15861-2391-0	METAL, CRANKSHAFT	1	-		-0.20mm
140	15861-2392-0	METAL, CRANKSHAFT	1	-		-0.40mm
150	16861-2349-0	METAL, CRANKSHAFT M	2	-		STD SET
150	15861-2386-0	METAL, CRANKSHAFT	2	-		-0.20mm SET
150	15861-2387-0	METAL, CRANKSHAFT	2	-		-0.40mm SET
160	16861-2348-0	METAL, CRANKSHAFT M	1	-		STD SET
160	15694-2393-0	METAL, CRANKSHAFT	1	-		-0.20mm SET

↔ Interchangeable; ≠ not interchangeable; ← new for old; → old for new

0102 PISTON AND CRANKSHAFT



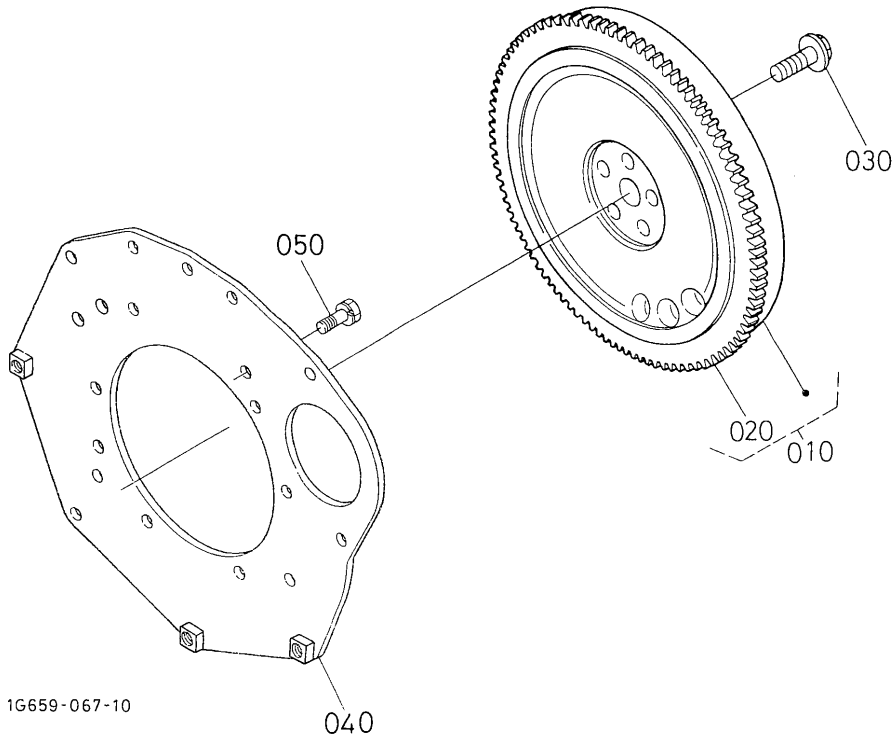
1G299-003-20

A:D722-E2B-MNTM-1

REF. No.	PART No.	PART NAME	Q' TY/S. No.		I. C.	REMARKS
			A	B		
160	15694-2394-0	METAL, CRANKSHAFT	1	-		-0.40mm SET
170	15261-2353-0	METAL, SIDE	2	-		STD
170	15261-2395-0	METAL, SIDE	2	-		+0.20mm
170	15261-2396-0	METAL, SIDE	2	-		+0.40mm
180	15261-2354-0	METAL, SIDE	2	-		STD
180	15261-2354-3	METAL, SIDE	2	-	←	STD
180	15261-2397-0	METAL, SIDE	2	-		+0.20mm
180	15261-2397-3	METAL, SIDE	2	-	←	+0.20mm
180	15261-2398-0	METAL, SIDE	2	-		+0.40mm
180	15261-2398-3	METAL, SIDE	2	-	←	+0.40mm
190	15841-2325-0	COLLAR, CRANKSHAFT	1	-		
200	15881-2331-0	SLINGER, OIL	1	-		
210	04814-16220	O RING	1	-		

↔ Interchangeable; ≠ not interchangeable; ← new for old; → old for new

0103 FLYWHEEL

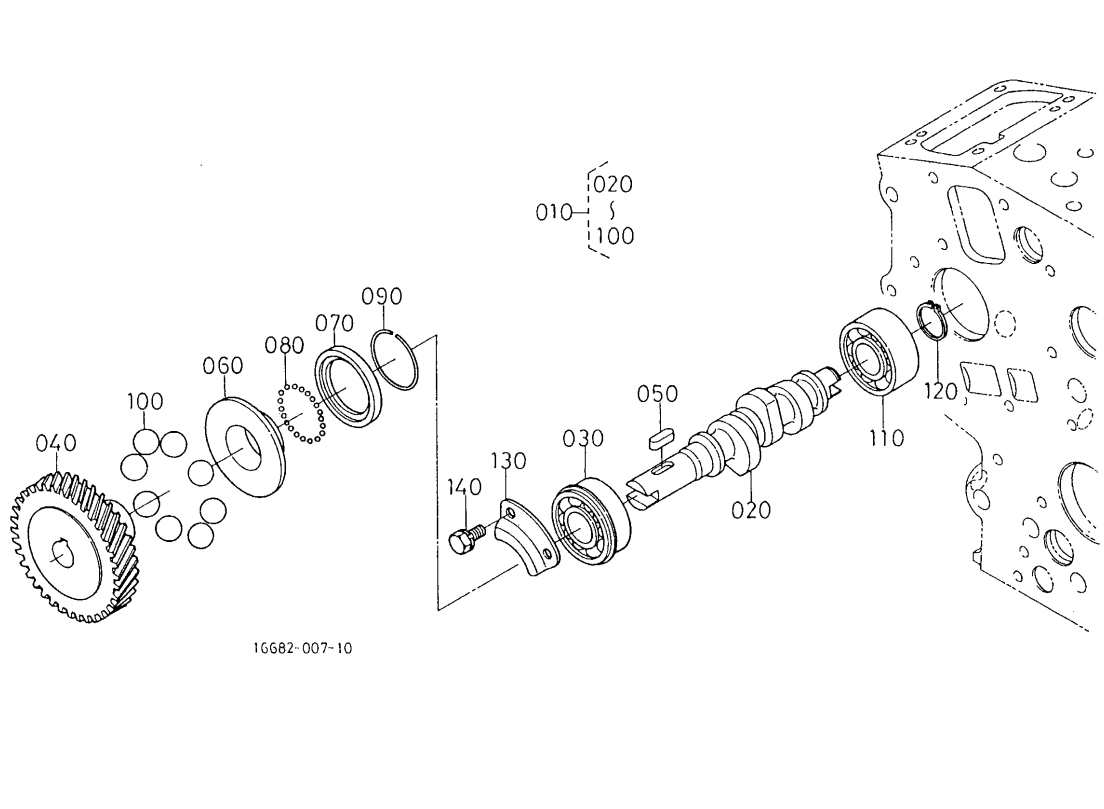


A:D722-E2B-MNTM-1

REF. No.	PART No.	PART NAME	Q' TY/S. No.		I. C.	REMARKS
			A	B		
010	16861-2501-4	COMP. FLYWHEEL	1	-		
020	16851-6382-2	GEAR, RING	1	-		
030	15852-2516-0	BOLT, FLYWHEEL	5	-		
040	19666-0462-0	PLATE, REAR END	1	-		
050	16871-9101-0	BOLT	10	-		

↔ Interchangeable; ≠ not interchangeable; ← new for old; → old for new

0105 FUEL CAMSHAFT AND GOVERNOR SHAFT



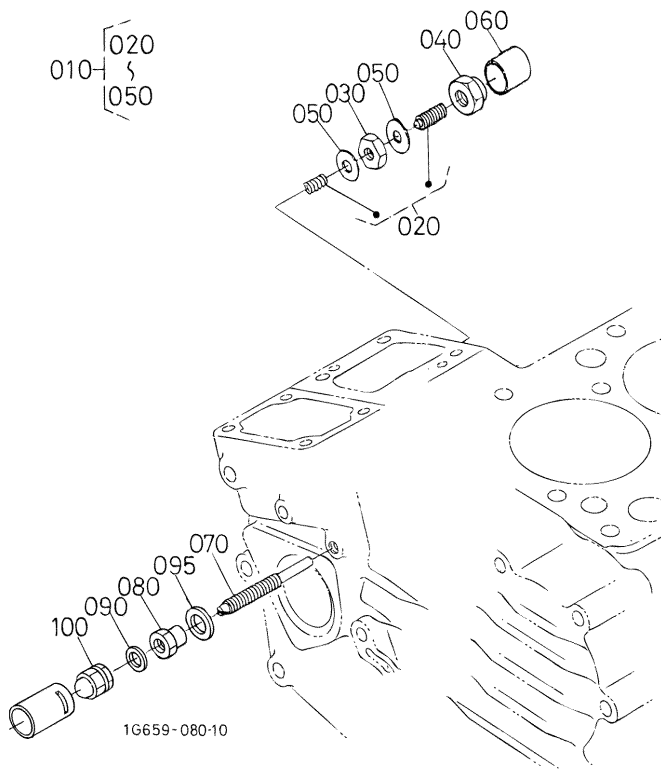
16682-007-10

A:D722-E2B-MNTM-1

REF. No.	PART No.	PART NAME	Q' TY/S. No.		I. C.	REMARKS
			A	B		
010	16861-1602-3	ASSY CAMSHAFT, FUEL	1	-		
020	15875-1617-3	CAMSHAFT, FUEL	1	-		
030	08153-06203	BEARING, BALL	1	-		
040	16851-5115-0	GEAR, INJECTION PUMP	1	-		
050	05712-00515	KEY, FEATHER	1	-		
060	15841-5545-0	SLEEVE, GOVERNOR	1	-		
070	15841-5569-0	CASE, GOVERNOR BALL	1	-		
080	07715-00801	BALL	32	-		
090	15261-5547-0	CIR-CLIP, GOV. SLEEVE	1	-		
100	07715-03217	BALL	8	-		
110	16871-9730-0	BEARING, BALL	1	-		
120	04612-00170	CIR CLIP, EXTERNAL	1	-		
130	15841-1632-0	STOPPER, FUEL. C/SHAFT	1	-		
140	01023-50612	BOLT	2	-		

↔ Interchangeable; ≠ not interchangeable; ← new for old; → old for new

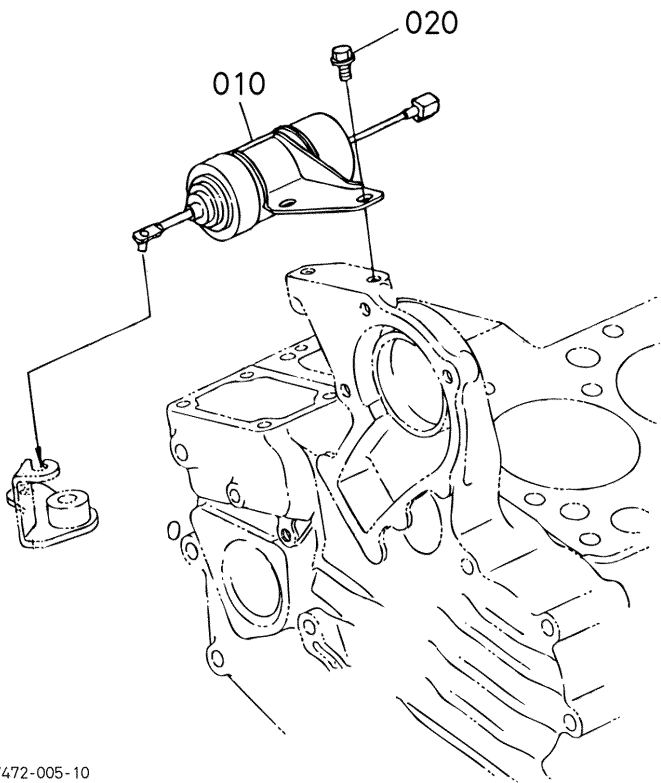
0200 IDLE APPARATUS



A:D722-E2B-MNTM-1

REF. No.	PART No.	PART NAME	Q' TY/S. No.		I. C.	REMARKS
			A	B		
010	15841-5409-2	ASSY APPARATUS, IDLE	1	-		
020	15841-5410-0	ASSY BOLT, ADJUSTMENT	1	-		
030	15261-9202-0	NUT	1	-		
040	15841-5422-0	NUT	1	-		
050	15021-3366-0	GASKET	2	-		
060	15841-5427-0	CAP	1	-		
070	15841-5412-3	BOLT, ADJUSTING	1	-		
080	1G031-5421-0	NUT, LOCK	1	-		
090	15601-9665-0	GASKET	1	-		
095	1G021-9665-0	GASKET	1	-		
100	15841-9233-0	NUT	1	-		

0201 STOP SOLENOID



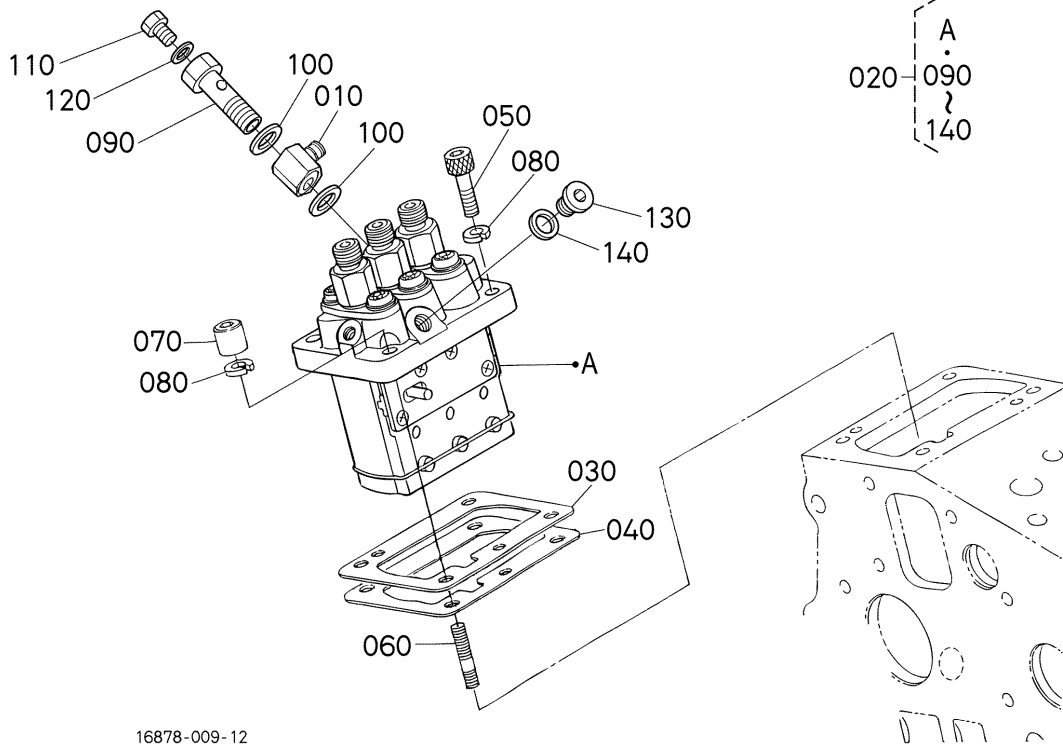
17472-005-10

A: D722-E2B-MNTM-1

REF. No.	PART No.	PART NAME	Q' TY/S. No.		I. C.	REMARKS
			A	B		
010	16851-6001-2	SOLENOID, STOP	1 ≤5N9858	-		
010	16851-6001-3	SOLENOID, STOP	1 ≥500493	-	←	
010	16851-6001-4	SOLENOID, STOP	1 ≥6S0165	-	←	#
020	01754-50612	BOLT, FLANGE	2	-		

↔ Interchangeable; ≠ not interchangeable; ← new for old; → old for new

0202 INJECTION PUMP

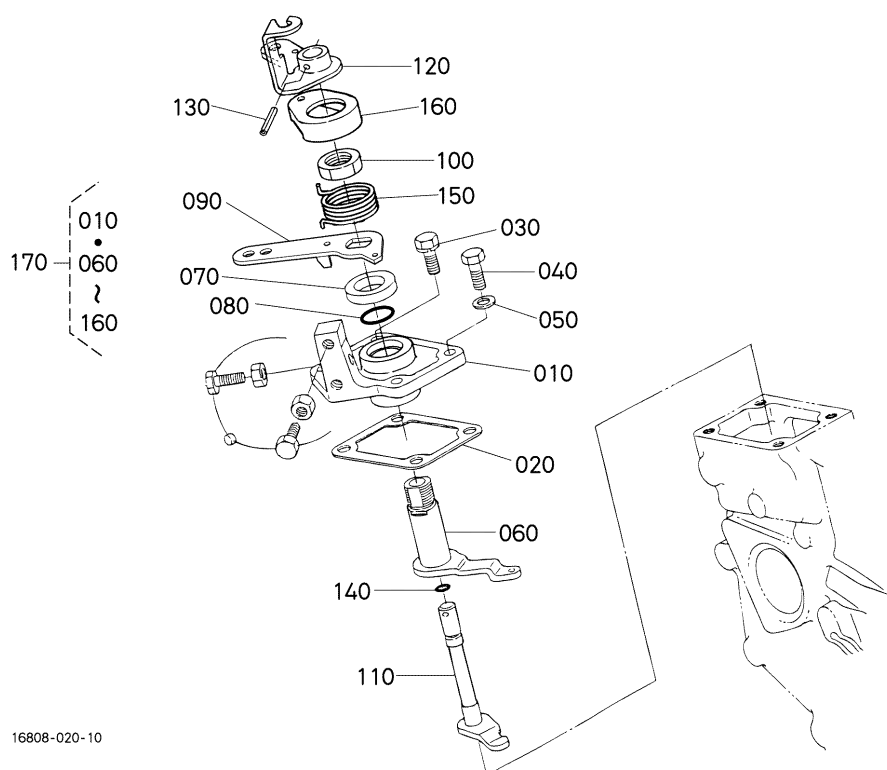


16878-009-12

A:D722-E2B-MNTM-1

REF. No.	PART No.	PART NAME	Q' TY/S. No.		I. C.	REMARKS
			A	B		
010	15841-9568-0	JOINT, EYE	1	-		
020	16006-5101-0	ASSY PUMP, INJECTION	1	-		
030	16006-5209-2	SHIM, INJECTION PUMP	1	-		0. 20mm
030	16006-5211-2	SHIM, INJECTION PUMP	1	-		0. 25mm
040	16006-5212-2	SHIM, INJECTION PUMP	1	-		0. 30mm
050	01311-10620	BOLT, HEX-SOC-HD	2	-		
060	15841-9150-0	STUD	2	-		
070	15841-9232-0	NUT	2	-		
080	04512-60060	WASHER, SPRING	4	-		
090	15841-5132-0	SCREW, HOLLOW	1	-		
100	15841-9665-0	GASKET	2	-		
110	15841-5135-0	SCREW	1	-		
120	15841-9666-0	GASKET	1	-		
130	16030-9601-0	PLUG	1	-		
140	15861-9665-0	GASKET	1	-		

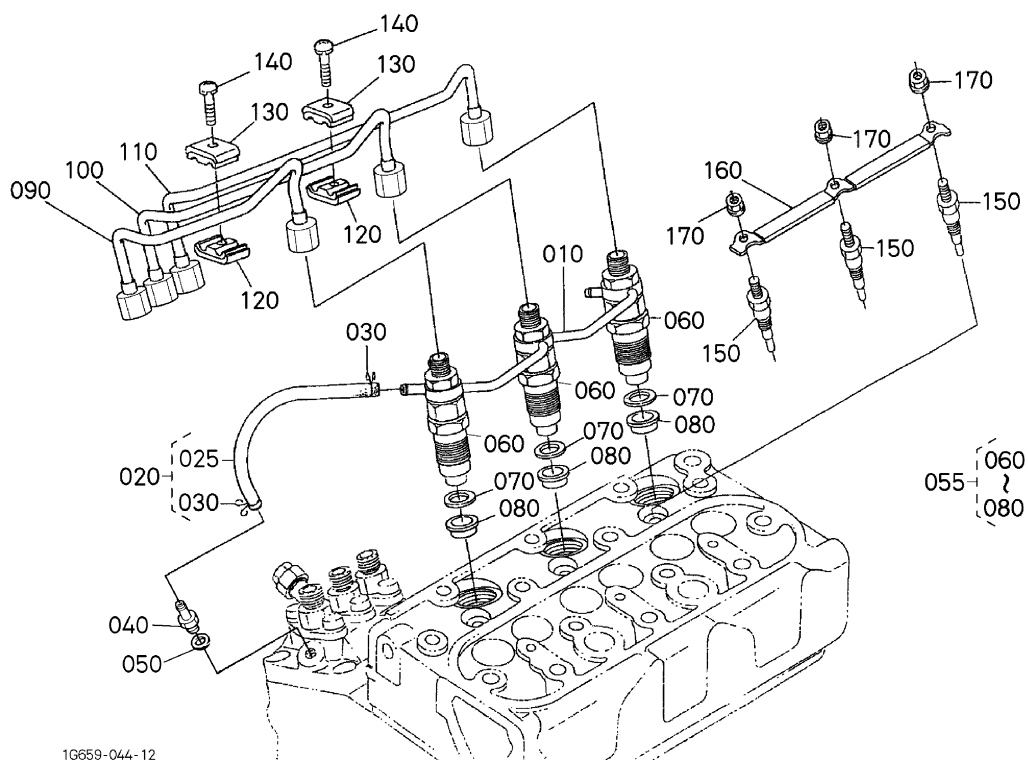
0205 SPEED CONTROL PLATE



A: D722-E2B-MNTM-1

REF. No.	PART No.	PART NAME	Q' TY/S. No.		I. C.	REMARKS
			A	B		
010	15841-5711-2	PLATE, SPEED CONTROL	1	-		
020	15841-5721-2	GASKET, CONTROL PLATE	1	-		
030	01023-50618	BOLT	2	-		
040	01053-50618	BOLT	2	-		
050	15601-9665-0	GASKET	2	-		
060	15841-5611-2	LEVER, GOVERNOR	1	-		
070	19280-5724-0	COLLAR	1	-		
080	04814-10160	O RING	1	-		
090	16639-5715-0	LEVER, SPEED CONTROL	1	-		
100	16866-9201-0	NUT, SPEED CONTROL	1	-		
110	16878-5774-2	SHAFT, LEVER	1	-		
120	16851-5772-4	LEVER, ENGINE STOP	1	-		
130	05411-00314	PIN, SPRING	1	-		
140	04814-10070	O RING	1	-		
150	16878-5792-0	SPRING, RETURN	1	-		
160	16866-5730-2	CAP	1	-		
170	16866-5700-9	COMP. PLATE, SPEED CO.	1	-		

0206 NOZZLE HOLDER AND GLOW PLUG



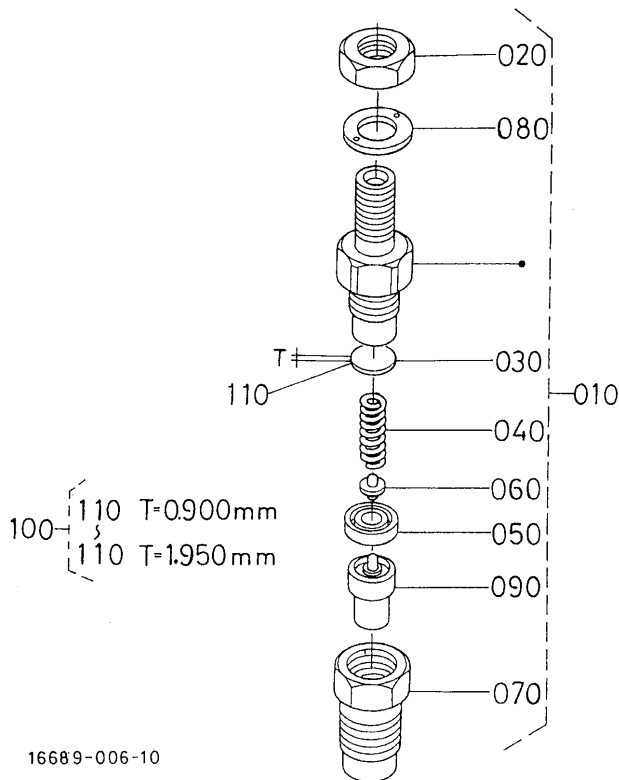
1G659-044-12

A: D722-E2B-MNTM-1

REF. No.	PART No.	PART NAME	Q' TY/S. No.		I. C.	REMARKS
			A	B		
010	15862-4250-2	ASSY PIPE, OVER FLOW	1	-		
020	15841-4250-0	ASSY PIPE, OVER FLOW	1	-		
025	15841-4252-0	PIPE, FUEL OVER FLOW	1	-		
030	14971-4275-0	CLIP, PIPE	2	-		
040	15841-5136-0	SCREW, AIR BREEDER	1	-		
050	15601-9665-0	GASKET	1	-		
055	16001-5390-0	KIT HOLDER, NOZZLE	1	-		
060	16001-5300-0	ASSY HOLDER, NOZZLE	3	-		
070	15841-5362-2	GASKET	3	-		
080	19077-5365-0	SEAL, HEAT	3	-		
090	16851-5371-3	PIPE, INJECTION	1	-		
100	16851-5372-3	PIPE, INJECTION	1	-		
110	16861-5373-3	PIPE, INJECTION	1	-		
120	15841-5385-0	CLAMP, PIPE	2	-		
130	15841-5386-0	CLAMP, PIPE	2	-		
140	03024-50520	SCREW, WITH WASHER	2	-		
150	16851-6551-2	GLOW PLUG	3	-		
160	16861-6556-0	CORD, GLOW PLUG	1	-		
170	02761-50040	NUT, FLANGE	3	-		

↔ Interchangeable; ≠ not interchangeable; ← new for old; → old for new

0207 NOZZLE HOLDER (COMPONENT PARTS)



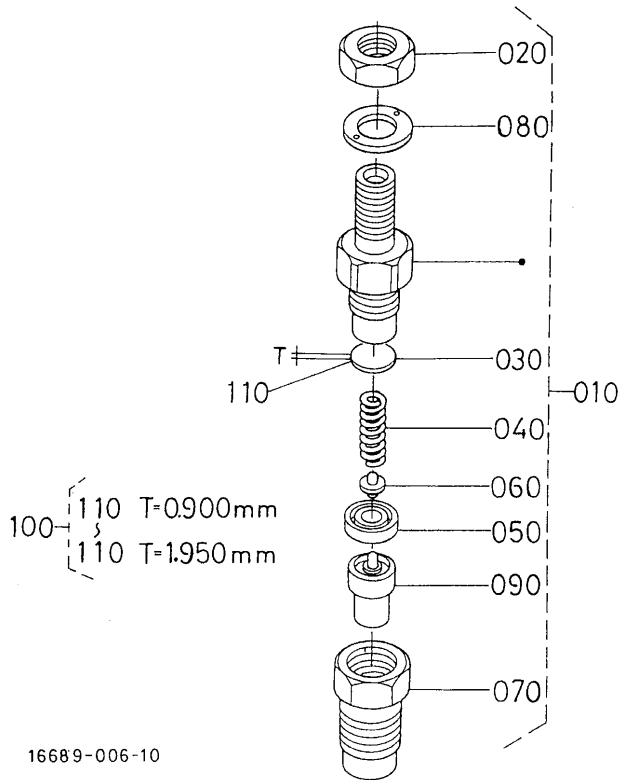
16689-006-10

A:D722-E2B-MNTM-1

REF. No.	PART No.	PART NAME	Q' TY/S. No.		I. C.	REMARKS
			A	B		
010	16001-5300-0	ASSY HOLDER, NOZZLE	3	-		
020	15841-9203-0	NUT	3	-		
030	15841-5323-0	WASHER, ADJUSTING	3	-		
040	15841-5317-0	SPRING, NOZZLE	3	-		
050	15841-5335-0	PIECE, DISTANCE	3	-		
060	15841-5316-0	PUSH ROD	3	-		
070	16475-5328-0	NUT, NOZZLE	3	-		
080	15841-9404-0	WASHER	3	-		
090	16851-5361-0	PIECE, NOZZLE	3	-		
100	15841-9810-0	ASSY WASHER, ADJUST	3	-		OPTION
110	15841-5323-0	WASHER, ADJUSTING	3	-		0.900mm
110	15841-9851-0	WASHER, ADJUSTING	3	-		0.925mm
110	15841-9852-0	WASHER, ADJUSTING	3	-		0.950mm
110	15841-9853-0	WASHER, ADJUSTING	3	-		0.975mm
110	15841-9854-0	WASHER, ADJUSTING	3	-		1.000mm
110	15841-9855-0	WASHER, ADJUSTING	3	-		1.025mm
110	15841-9856-0	WASHER, ADJUSTING	3	-		1.050mm
110	15841-9857-0	WASHER, ADJUSTING	3	-		1.075mm
110	15841-9858-0	WASHER, ADJUSTING	3	-		1.100mm
110	15841-9859-0	WASHER, ADJUSTING	3	-		1.125mm
110	15841-9860-0	WASHER, ADJUSTING	3	-		1.150mm
110	15841-9861-0	WASHER, ADJUSTING	3	-		1.175mm
110	15841-9862-0	WASHER, ADJUSTING	3	-		1.200mm
110	15841-9863-0	WASHER, ADJUSTING	3	-		1.225mm
110	15841-9864-0	WASHER, ADJUSTING	3	-		1.250mm
110	15841-9865-0	WASHER, ADJUSTING	3	-		1.275mm
110	15841-9866-0	WASHER, ADJUSTING	3	-		1.300mm
110	15841-9867-0	WASHER, ADJUSTING	3	-		1.325mm
110	15841-9868-0	WASHER, ADJUSTING	3	-		1.350mm
110	15841-9869-0	WASHER, ADJUSTING	3	-		1.375mm

↔ Interchangeable; ≠ not interchangeable; ← new for old; → old for new

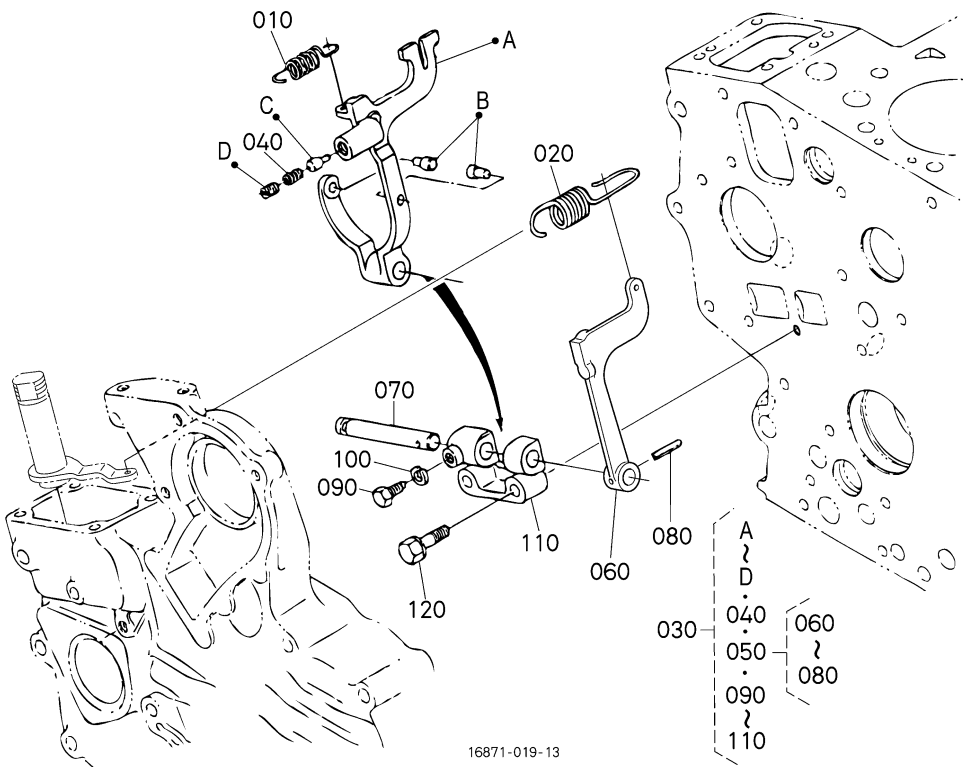
0207 NOZZLE HOLDER (COMPONENT PARTS)



A:D722-E2B-MNTM-1

REF. No.	PART No.	PART NAME	Q' TY/S. No.		I. C.	REMARKS
			A	B		
110	15841-9870-0	WASHER, ADJUSTING	3	-		1. 400mm
110	15841-9871-0	WASHER, ADJUSTING	3	-		1. 425mm
110	15841-9872-0	WASHER, ADJUSTING	3	-		1. 450mm
110	15841-9873-0	WASHER, ADJUSTING	3	-		1. 475mm
110	15841-9874-0	WASHER, ADJUSTING	3	-		1. 500mm
110	15841-9875-0	WASHER, ADJUSTING	3	-		1. 525mm
110	15841-9876-0	WASHER, ADJUSTING	3	-		1. 550mm
110	15841-9877-0	WASHER, ADJUSTING	3	-		1. 575mm
110	15841-9878-0	WASHER, ADJUSTING	3	-		1. 600mm
110	15841-9879-0	WASHER, ADJUSTING	3	-		1. 625mm
110	15841-9880-0	WASHER, ADJUSTING	3	-		1. 650mm
110	15841-9881-0	WASHER, ADJUSTING	3	-		1. 675mm
110	15841-9882-0	WASHER, ADJUSTING	3	-		1. 700mm
110	15841-9883-0	WASHER, ADJUSTING	3	-		1. 725mm
110	15841-9884-0	WASHER, ADJUSTING	3	-		1. 750mm
110	15841-9885-0	WASHER, ADJUSTING	3	-		1. 775mm
110	15841-9886-0	WASHER, ADJUSTING	3	-		1. 800mm
110	15841-9887-0	WASHER, ADJUSTING	3	-		1. 825mm
110	15841-9888-0	WASHER, ADJUSTING	3	-		1. 850mm
110	15841-9889-0	WASHER, ADJUSTING	3	-		1. 875mm
110	15841-9890-0	WASHER, ADJUSTING	3	-		1. 900mm
110	15841-9891-0	WASHER, ADJUSTING	3	-		1. 925mm
110	15841-9892-0	WASHER, ADJUSTING	3	-		1. 950mm

0212 FORK LEVER (GOVERNOR)

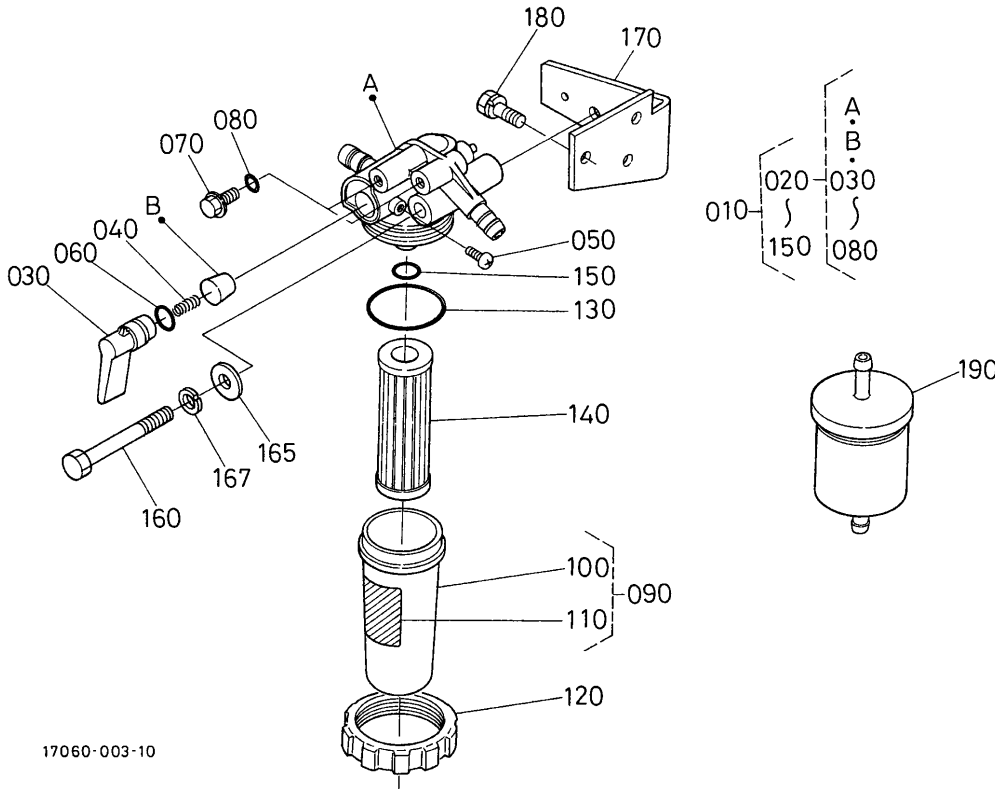


A: D722-E2B-MNTM-1

REF. No.	PART No.	PART NAME	Q' TY/S. No.		I. C.	REMARKS
			A	B		
010	16851-5648-0	SPRING, START	1	-		
020	16851-5641-0	SPRING, GOVERNOR	1	-		
030	19461-5607-0	ASSY LEVER, FORK	1	-		
040	19461-5423-0	SPRING	1	-		
050	15841-5606-0	ASSY LEVER, FORK	1	-		
060	15841-5613-0	LEVER, FORK	1	-		
070	15841-5615-0	SHAFT, FORK LEVER	1	-		
080	05411-00318	PIN, SPRING	1	-		
090	15261-6641-0	BOLT	1	-		
100	04512-60050	WASHER, SPRING	1	-		
110	15841-5623-0	HOLDER, FORK LEVER	1	-		
120	01023-50635	BOLT	2	-		

↔ Interchangeable; ≠ not interchangeable; ← new for old; → old for new

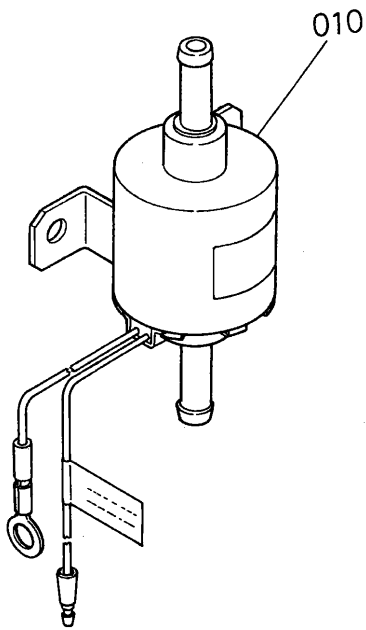
0300 FUEL FILTER



A: D722-E2B-MNTM-1

REF. No.	PART No.	PART NAME	Q' TY/S. No.		I. C.	REMARKS
			A	B		
010	19204-4301-0	ASSY FILTER, FUEL	1	-		
020	19204-4311-0	COMP. BODY, COCK	1	-		
030	14301-4352-2	LEVER, COCK	1	-		
040	14301-4382-0	SPRING, VALVE	1	-		
050	14301-4383-0	SCREW, SET	1	-		
060	14301-4384-0	O RING, LEVER	1	-		
070	19204-4328-0	SCREW, AIR BREATHER	2	-		
080	04817-00060	O RING	2	-		
090	19204-4310-0	ASSY CUP, FILTER	1	-		
100	15393-4358-0	CUP, FILTER	1	-		
110	16689-8843-0	LABEL, FUEL	1	-		
120	14301-4359-0	RING, RETAINING	1	-		
130	14301-4365-0	O RING, FILTER CUP	1	-		
140	15231-4356-0	ASSY ELEMENT	1	-		
150	14301-4357-0	O RING, FILTER	1	-		
160	01153-50865	BOLT	1	-		
165	04013-60080	WASHER, PLAIN	1	-		
167	04512-60080	WASHER, SPRING	1	-		
170	19653-4343-0	HOLDER, FUEL FILTER	1	-		
180	01123-50820	BOLT	2	-		
190	12581-4301-2	ASSY FILTER, FUEL	1	-		

0302 FUEL PUMP (ELECTRICAL)

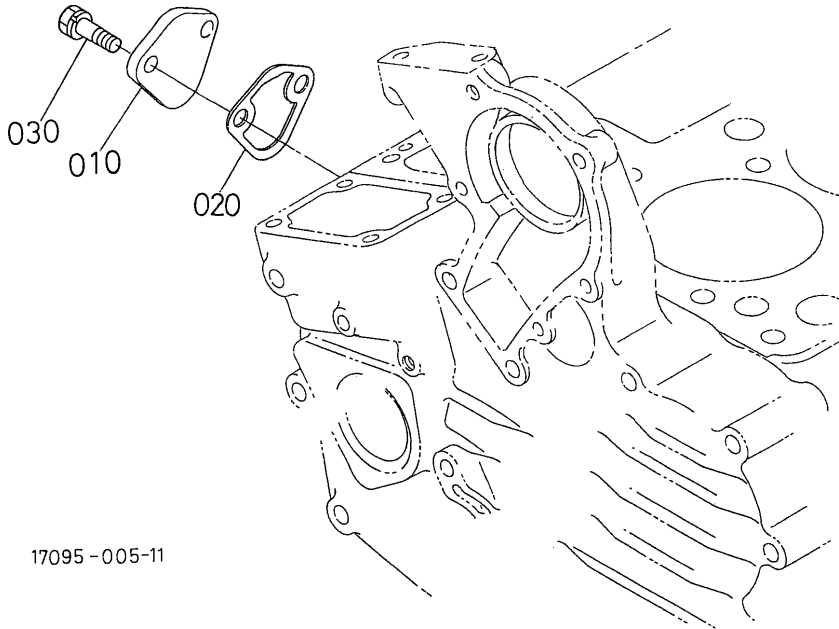


16682-069-10

A:D722-E2B-MNTM-1

REF. No.	PART No.	PART NAME	Q' TY/S. No.		I. C.	REMARKS
			A	B		
010	68371-5121-0	ASSY PUMP, FUEL	1	-		

0305 COVER

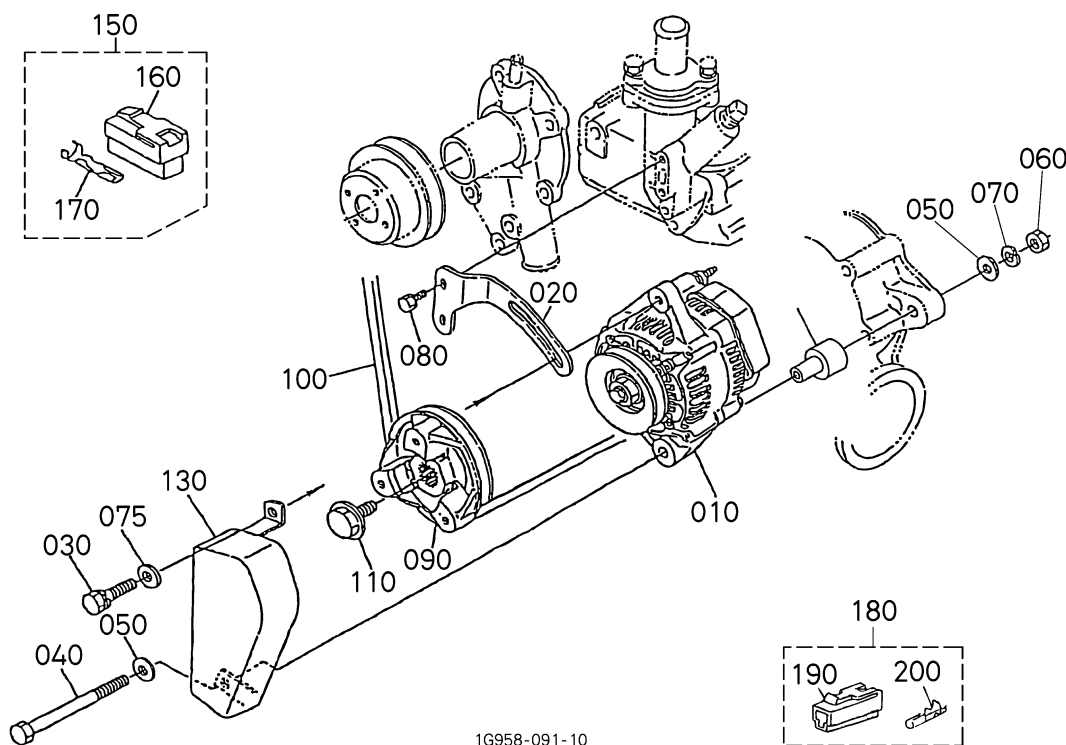


17095-005-11

A:D722-E2B-MNTM-1

REF. No.	PART No.	PART NAME	Q' TY/S. No.		I. C.	REMARKS
			A	B		
010	15852-5285-0	COVER	1	-		
020	16264-5214-0	GASKET, FUEL PUMP	1	-		
030	01023-50616	BOLT	2	-		

0402 ALTERNATOR AND PULLEY

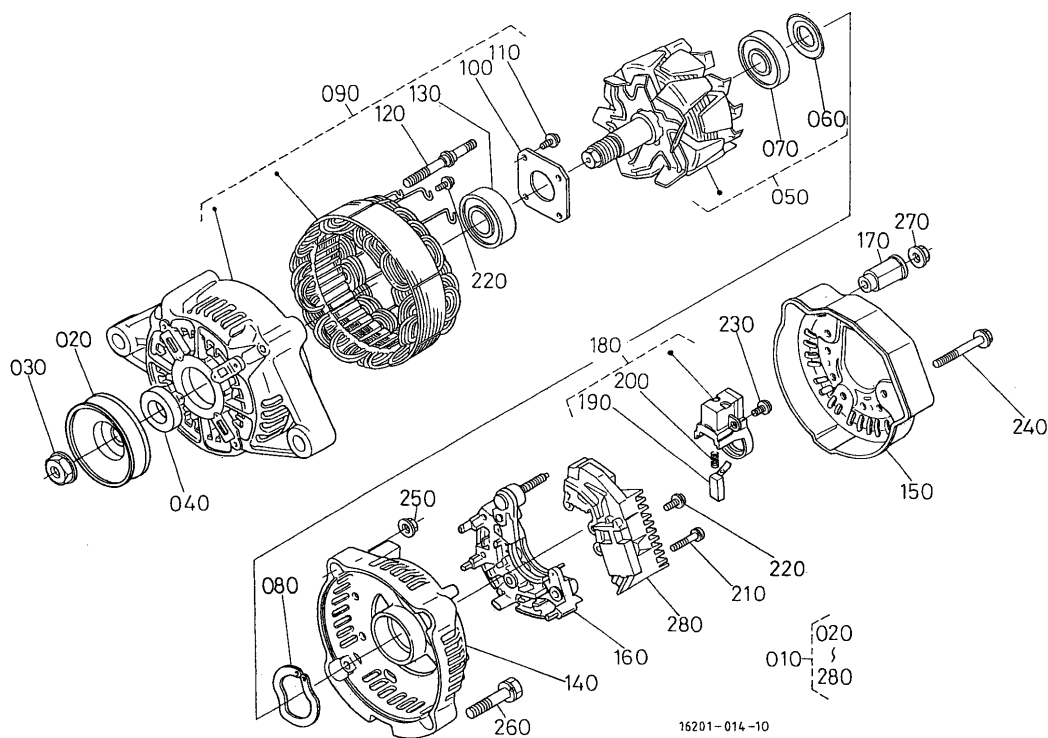


A:D722-E2B-MNTM-1

REF. No.	PART No.	PART NAME	Q' TY/S. No.		I. C.	REMARKS
			A	B		
010	16241-6401-2	ASSY ALTERNATOR	1	-		12V 40A
020	17548-6442-0	STAY, ALTERNATOR	1	-		
030	01123-50830	BOLT	1	-		
040	01153-50885	BOLT	1	-		
050	04013-60080	WASHER, PLAIN	2	-		
060	02114-50080	NUT	1	-		#
060	02156-50080	NUT	1	-	←	#
070	04512-60080	WASHER, SPRING	1	-		
075	04012-50080	WASHER, PLAIN	1	-		
080	01023-50616	BOLT	2	-		
090	16861-7428-0	PULLEY, FAN DRIVE	1	-		
100	15881-9701-0	V BELT	1	-		34. 51N
110	15881-9103-0	BOLT	1	-		
120	19837-6437-4	COLLAR	1	-		
130	1G639-1386-0	COVER, BELT	1	-		
140	----	BLANK	-	-		
150	19838-6583-0	ASSY COUPLER	1	-		
160	19872-6588-0	CONNECTOR	1	-		
170	19237-6591-0	TERMINAL	2	-		
180	19215-6375-0	TERMINAL	1	-		
190	11521-6592-0	CONNECTOR	1	-		
200	11521-6597-0	TERMINAL	1	-		

↔ Interchangeable; ≠ not interchangeable; ← new for old; → old for new

0403 ALTERNATOR (COMPONENT PARTS)



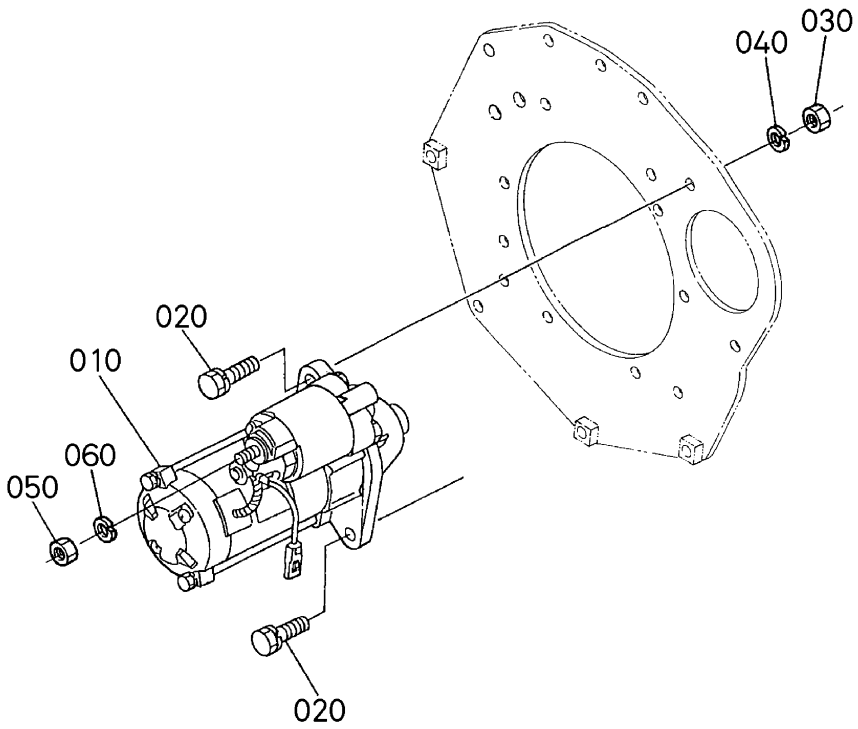
16201-014-10

A:D722-E2B-MNTM-1

REF. No.	PART No.	PART NAME	Q' TY/S. No.		I. C.	REMARKS
			A	B		
010	16241-6401-2	ASSY ALTERNATOR	1	-		
020	15881-6411-0	PULLEY, DYNAMO	1	-		
030	15881-9201-0	NUT	1	-		
040	15881-6415-0	COLLAR	1	-		
050	66436-6404-0	ROTOR	1	-		
060	15881-6480-0	COVER, BEARING	1	-		
070	16652-6477-0	BEARING, BALL	1	-		
080	15881-6481-0	WASHER, THRUST	1	-		
090	66436-6402-0	FRAME, DRIVE END	1	-		
100	15881-6471-0	PLATE, RETAINER	1	-		
110	15881-9301-0	SCREW, ROUND HEAD	4	-		
120	15881-6426-0	BOLT, THROUGH	2	-		
130	16652-6478-0	BEARING, BALL	1	-		
140	16231-6406-0	FRAME, END	1	-		
150	16231-6423-0	COVER, END	1	-		
160	16231-6485-0	ASSY RECTIFIER	1	-		
170	16241-6490-0	BUSH, INSULATION	1	-		
180	16652-6431-0	HOLDER, BRUSH	1	-		
190	15881-6409-0	BRUSH	2	-		
200	15881-6433-0	SPRING, BRUSH	2	-		
210	15881-9302-0	SCREW, ROUND HEAD	2	-		
220	15881-9303-0	SCREW, ROUND HEAD	6	-		
230	15881-9304-0	SCREW, ROUND HEAD	1	-		
240	15881-9104-0	BOLT	3	-		
250	15881-9202-0	NUT	2	-		
260	15881-9105-0	BOLT	2	-		
270	14182-9203-0	NUT	1	-		
280	1K531-6460-0	ASSY REGULATOR	1	-		#ORDER BY REF. No. 280 NEW PART.
280	1K531-6460-2	ASSY REGULATOR	1	-	←	

↔ Interchangeable; ≠ not interchangeable; ← new for old; → old for new

0404 STARTER

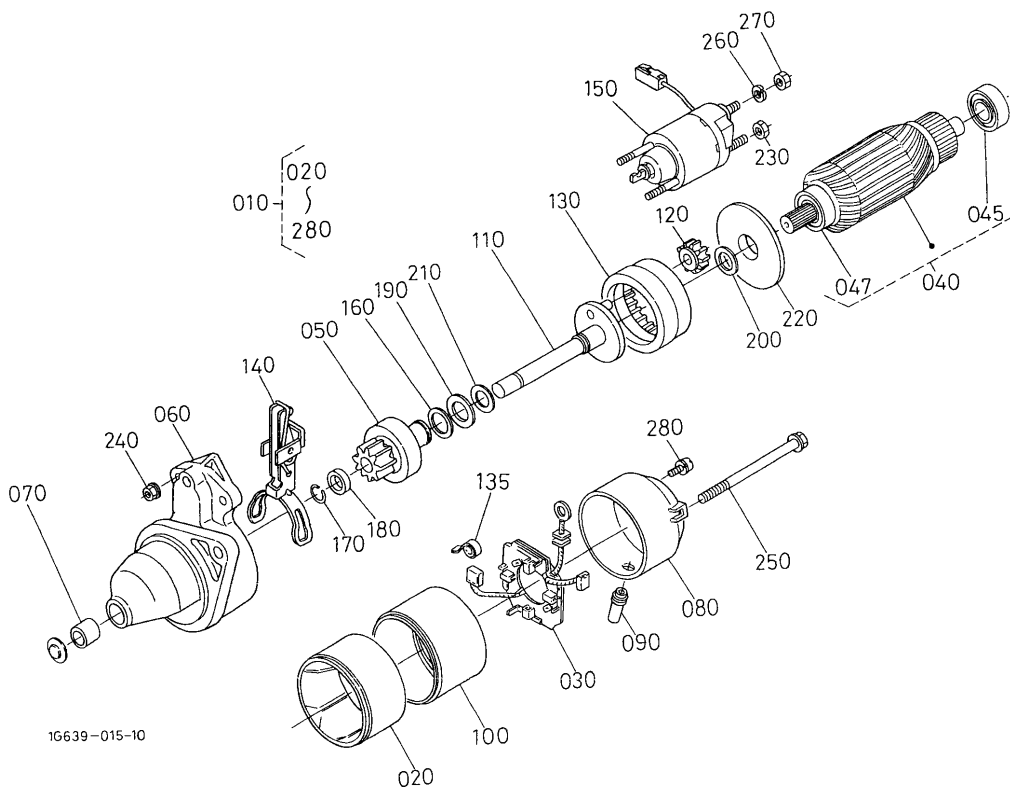


1G226-005-11

A:D722-E2B-MNTM-1

REF. No.	PART No.	PART NAME	Q' TY/S. No.		I. C.	REMARKS
			A	B		
010	67980-3115-0	ASSY STARTER	1	-		
020	01153-50828	BOLT	2	-		
030	02156-50080	NUT	2	-		
040	04512-60080	WASHER, SPRING	2	-		
050	02114-50080	NUT	1	-		#
050	02156-50080	NUT	1	-	←	#
060	04512-60080	WASHER, SPRING	1	-		

0405 STARTER (COMPONENT PARTS)



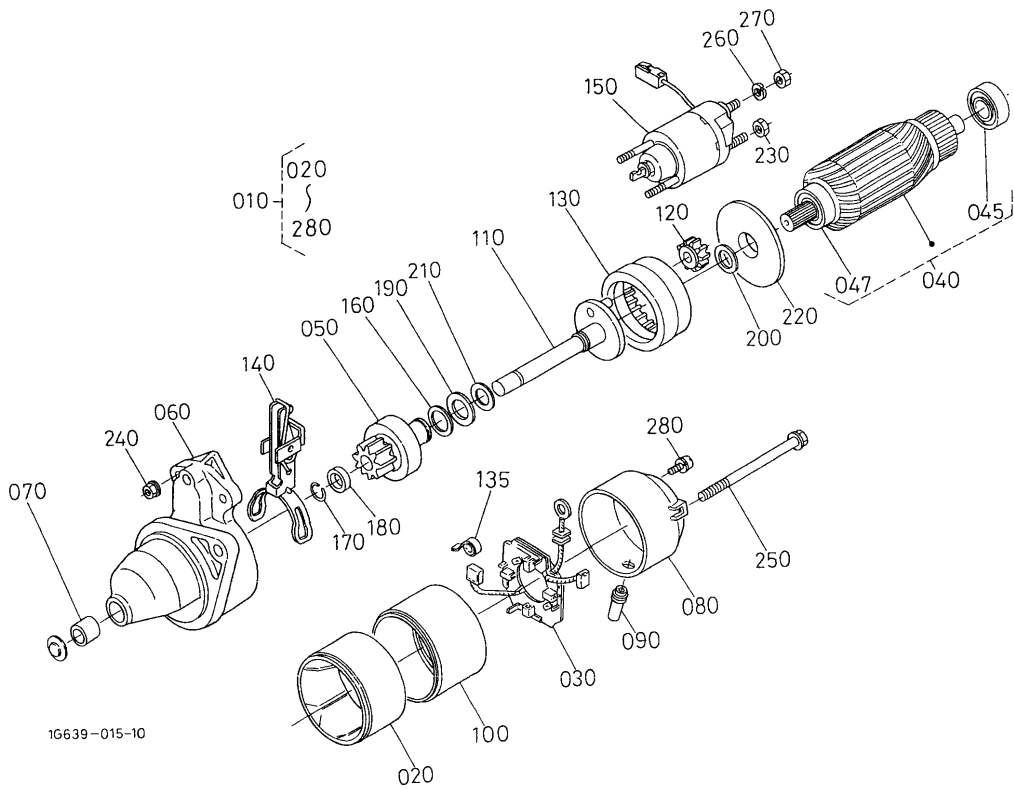
16639-015-10

A:D722-E2B-MNTM-1

REF. No.	PART No.	PART NAME	Q' TY/S. No.		I. C.	REMARKS
			A	B		
010	67980-3115-0	ASSY STARTER	1	-		
020	6A100-3116-0	ASSY YOKE, STARTER	1	-		
030	14958-6338-0	ASSY HOLDER	1	-		
040	6A100-3117-0	ASSY ARMATURE	1	-		
045	15504-6353-0	BEARING, BALL	1	-		
047	15504-6350-0	BEARING, BALL	1	-		
050	K3511-8143-0	ASSY CLUTCH, STARTER	1	-		
060	67980-3118-0	ASSY HOUSING, STARTER	1	-		
070	6A100-3119-0	BEARING	1	-		
080	K3511-8145-0	ASSY FRAME	1	-		
090	12182-6329-0	COVER	1	-		
100	14958-6353-0	ASSY BEARING	1	-		
110	K3511-8146-0	ASSY SHAFT, STARTER	1	-		
120	14958-6326-0	GEAR	3	-		
130	14958-6327-0	GEAR	1	-		
135	15401-6339-0	SPRING, BRUSH	12	-		
140	14958-6305-0	LEVER	1	-		
150	12181-6308-0	ASSY SWITCH, MAGNETIC	1	-		
160	14958-6317-0	RING, SNAP	1	-		
170	12181-6322-0	RING, SNAP	1	-		
180	13816-6346-0	COLLAR	1	-		
190	14958-9401-0	WASHER, PLAIN	1	-		
200	14958-9402-0	WASHER, PLAIN	1	-		
210	14958-9403-0	WASHER, PLAIN	1	-		
220	14958-9404-0	PLATE	1	-		
230	16611-9202-0	NUT, HEXAGON	1	-		
240	14278-9201-0	NUT	2	-		
250	11460-6332-0	BOLT, THROUGH	2	-		
260	13801-9410-0	WASHER, SPRING	1	-		
270	19616-9201-0	NUT, HEXAGON	1	-		

↔ Interchangeable; ≠ not interchangeable; ← new for old; → old for new

0405 STARTER (COMPONENT PARTS)

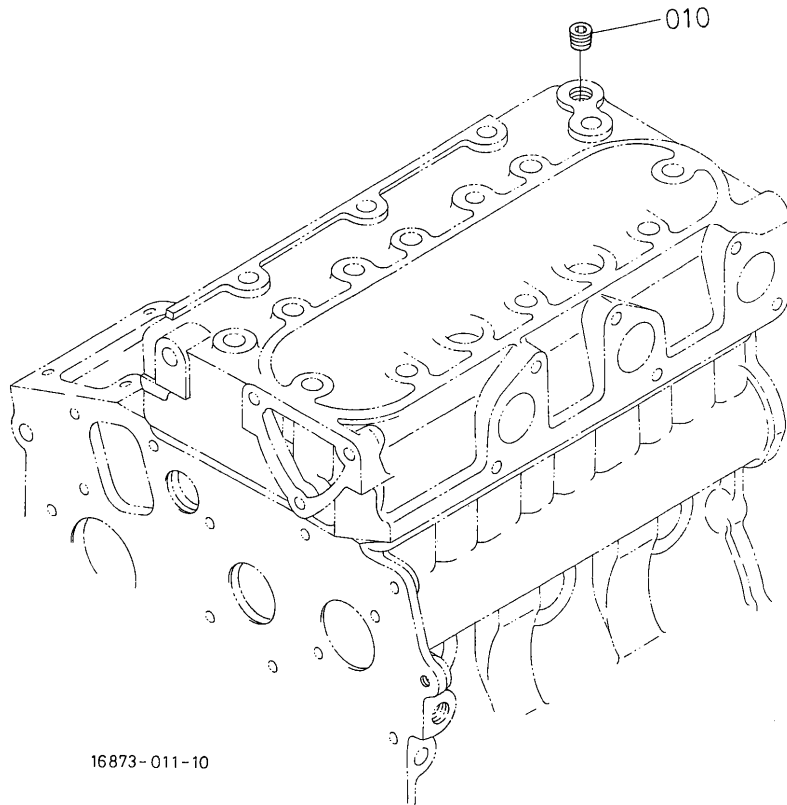


16639-015-10

A:D722-E2B-MNTM-1

REF. No.	PART No.	PART NAME	Q' TY/S. No.		I. C.	REMARKS
			A	B		
280	K3511-8148-0	SCREW	2	-		

0406 OIL SWITCH/THERMOMETER AND PLUG

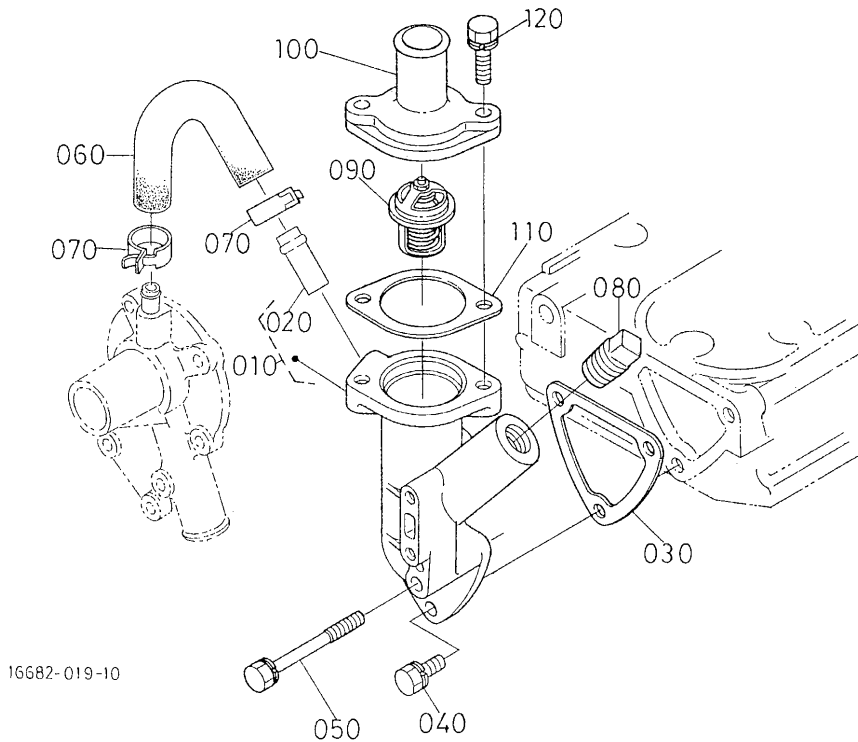


16873-011-10

A:D722-E2B-MNTM-1

REF. No.	PART No.	PART NAME	Q' TY/S. No.		I. C.	REMARKS
			A	B		
010	15841-9602-0	PLUG	1	-		

0500 WATER FLANGE AND THERMOSTAT



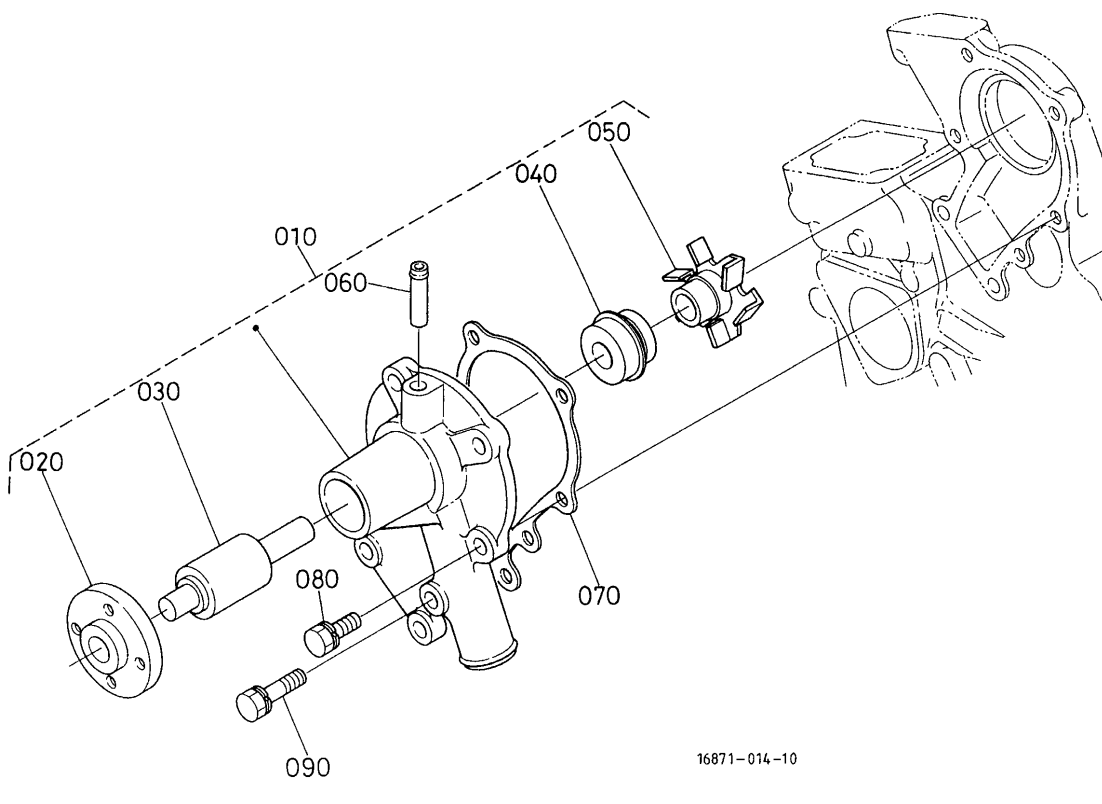
16682-019-10

A:D722-E2B-MNTM-1

REF. No.	PART No.	PART NAME	Q' TY/S. No.		I. C.	REMARKS
			A	B		
010	16873-7270-4	COMP. FLANGE, WATER	1	-		
020	16241-7337-0	PIPE, WATER RETURN	1	-		
030	15841-7292-3	GASKET, WATER FLANGE	1	-		
040	01023-50616	BOLT	2	-		
050	01023-60650	BOLT	1	-		
060	16851-7335-0	PIPE, WATER RETURN	1	-		
070	16241-7336-0	BAND, PIPE	2	-		
080	19298-9602-0	PLUG	1	-		
090	19203-7301-0	ASSY THERMOSTAT	1	-		
100	15841-7326-0	COVER, THERMOSTAT	1	-		
110	16851-7327-0	GASKET, THERMOSTAT	1	-		
120	01023-50622	BOLT	2	-		

↔ Interchangeable; ≠ not interchangeable; ← new for old; → old for new

0501 WATER PUMP



16871-014-10

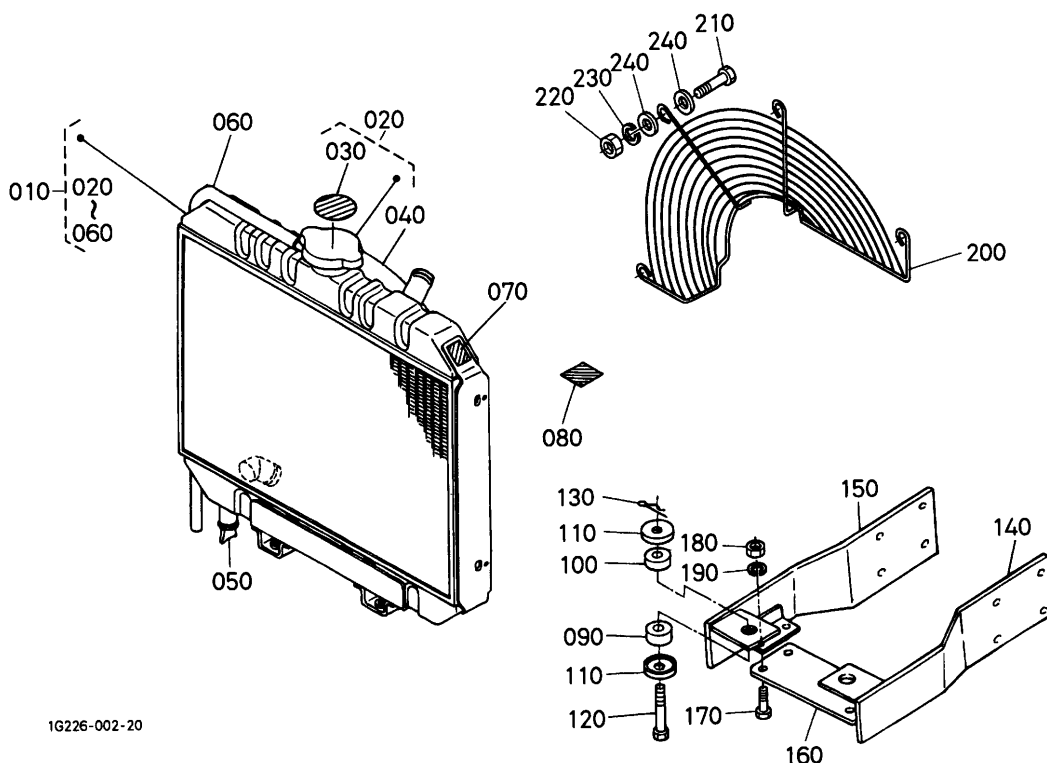
A:D722-E2B-MNTM-1

REF. No.	PART No.	PART NAME	Q' TY/S. No.		I. C.	REMARKS
			A	B		
010	19883-7303-0	ASSY PUMP, WATER	1	-		
020	15852-7352-0	FLANGE, WATER PUMP	1	-		
030	15852-7355-0	BEARING	1	-		
040	15481-7305-0	ASSY SEAL, MECHANICAL	1	-		
050	19883-7351-0	IMPELLER, WATER PUMP	1	-		
060	15852-7334-0	PIPE, WATER RETURN	1	-		
070	15881-7343-2	GASKET, WATER PUMP NA	1	-		
080	01023-50622	BOLT	4	-		
090	01023-50638	BOLT	1	-		

↔ Interchangeable; ≠ not interchangeable; ← new for old; → old for new

0502 RADIATOR

#S. No. ; <=6R5445



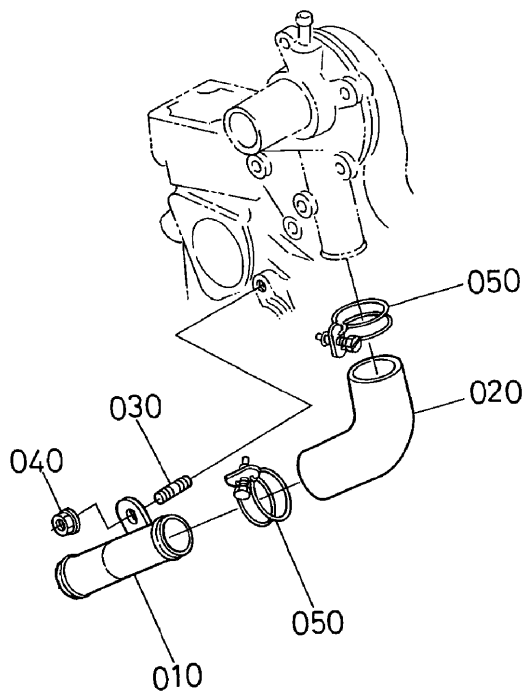
1G226-002-20

A: D722-E2B-MNTM-1

REF. No.	PART No.	PART NAME	Q' TY/S. No.		I. C.	REMARKS
			A	B		
010	16676-7206-2	ASSY RADIATOR	1	-		
020	15272-7202-0	ASSY CAP	1	-		
030	19077-8724-0	LABEL, CAUTION	1	-		
040	19437-7233-0	SHROUD, FAN	1	-		
050	15231-7311-0	COCK, DRAIN	1	-		
060	15401-7271-0	PIPE, WATER OVER FLOW	1	-		
070	16478-8823-0	LABEL, RADIATOR	1	-		
080	19426-8788-0	LABEL, INSTRUCTION	1	-		
090	15111-7218-0	CUSHION	2	-		
100	15111-7219-0	CUSHION	2	-		
110	15111-7220-0	WASHER	4	-		
120	15108-7238-0	BOLT	2	-		
130	05515-61000	PIN, SNAP	2	-		
140	12586-7213-0	SUPPORT, RADIATOR	1	-		
150	12586-7214-0	SUPPORT, RADIATOR	1	-		
160	19416-7215-0	STAY	1	-		
170	01153-50822	BOLT	4	-		
180	02156-50080	NUT	4	-		
190	04512-60080	WASHER, SPRING	4	-		
200	1G639-7412-0	COVER, FAN	1	-		
210	01053-50614	BOLT	4	-		
220	02056-50060	NUT	4	-		
230	04512-60060	WASHER, SPRING	4	-		
240	04014-50060	WASHER, PLAIN	8	-		

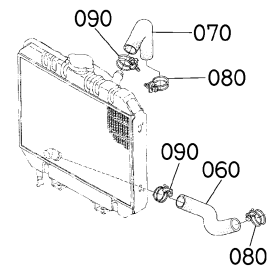
↔ Interchangeable; ≠ not interchangeable; ← new for old; → old for new

0503 WATER PIPE



1G958-141-10

OLD PARTS



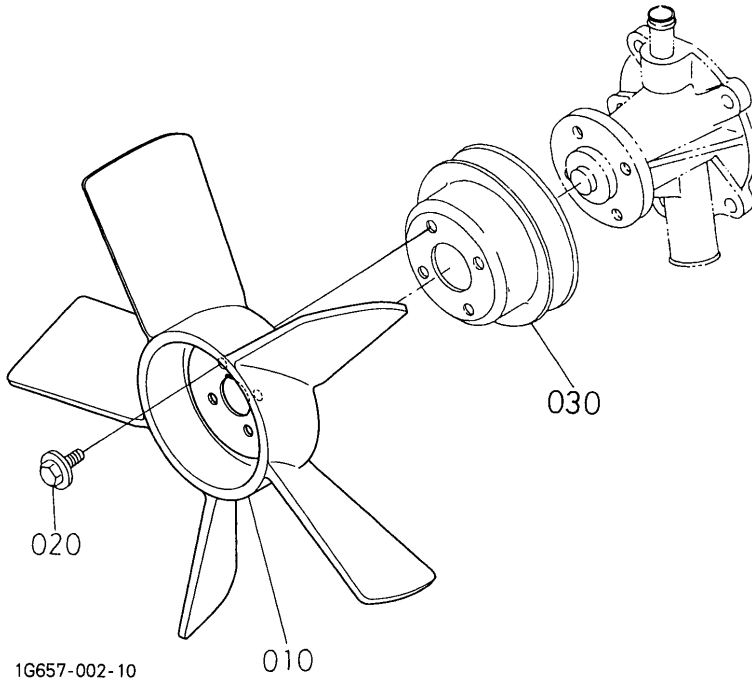
1G958-824-10

A:D722-E2B-MNTM-1

REF. No.	PART No.	PART NAME	Q' TY/S. No.		I. C.	REMARKS
			A	B		
010	16805-7286-0	PIPE, WATER	1	-		
020	16805-7287-0	HOSE, WATER	1	-		
030	15841-9151-0	STUD	1	-		
040	02751-50060	NUT, FLANGE	1	-		
050	15841-7296-0	BAND, PIPE	2	-		
060	12594-7285-0	PIPE, WATER	1	-		#
070	12594-7294-0	PIPE, WATER	1	-		#
080	09318-89030	CLAMP, HOSE	2	-		#
090	09318-89036	CLAMP, HOSE	2	-		#
			<=6R5445	-		
			<=6R5445	-		
			<=6R5445	-		
			<=6R5445	-		

(↔) Interchangeable; (≠) not interchangeable; (←) new for old; (→) old for new

0504 FAN

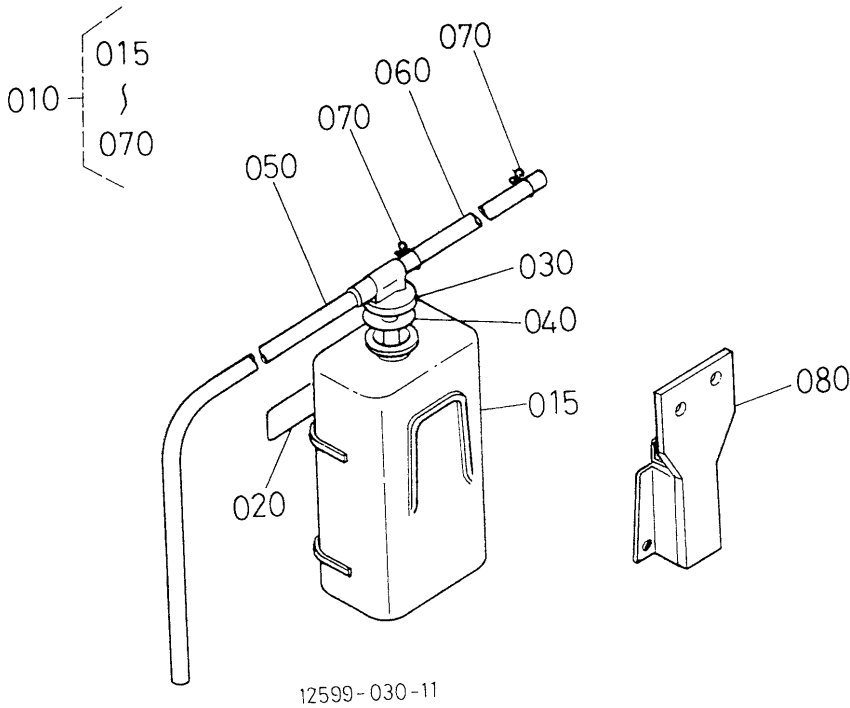


A:D722-E2B-MNTM-1

REF. No.	PART No.	PART NAME	Q' TY/S. No.		I. C.	REMARKS
			A	B		
010	12599-7411-0	COOLING FAN	1	-		
020	15841-7425-0	PULLEY, FAN	1	-		
030	01754-50610	BOLT, FLANGE	4	-		

↔ Interchangeable; ≠ not interchangeable; ← new for old; → old for new

0505 RESERVE TANK

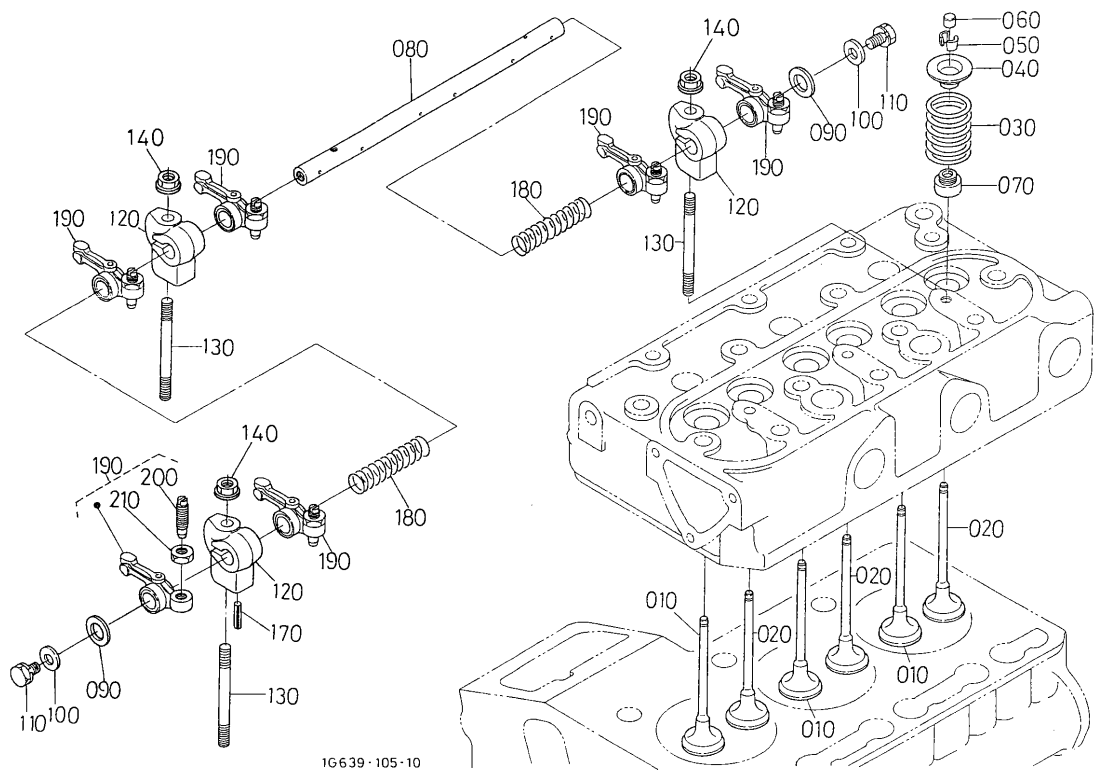


A:D722-E2B-MNTM-1

REF. No.	PART No.	PART NAME	Q' TY/S. No.		I. C.	REMARKS
			A	B		
010	15531-7240-2	ASSY TANK, RESERVE	1	-		
015	15531-7241-0	BODY, TANK	1	-		
020	15501-8821-0	LABEL, CAUTION	1	-		
030	15531-7242-2	CAP	1	-		
040	15531-7243-2	GASKET	1	-		
050	15471-7244-0	PIPE, WATER OVER FLOW	1	-		
060	15531-7244-2	PIPE, WATER OVER FLOW	1	-		
070	15501-7247-0	CLIP, PIPE	2	-		
080	19449-7250-2	COMP SUPPORT, TANK	1	-		

↔ Interchangeable; ≠ not interchangeable; ← new for old; → old for new

0600 VALVE AND ROCKER ARM



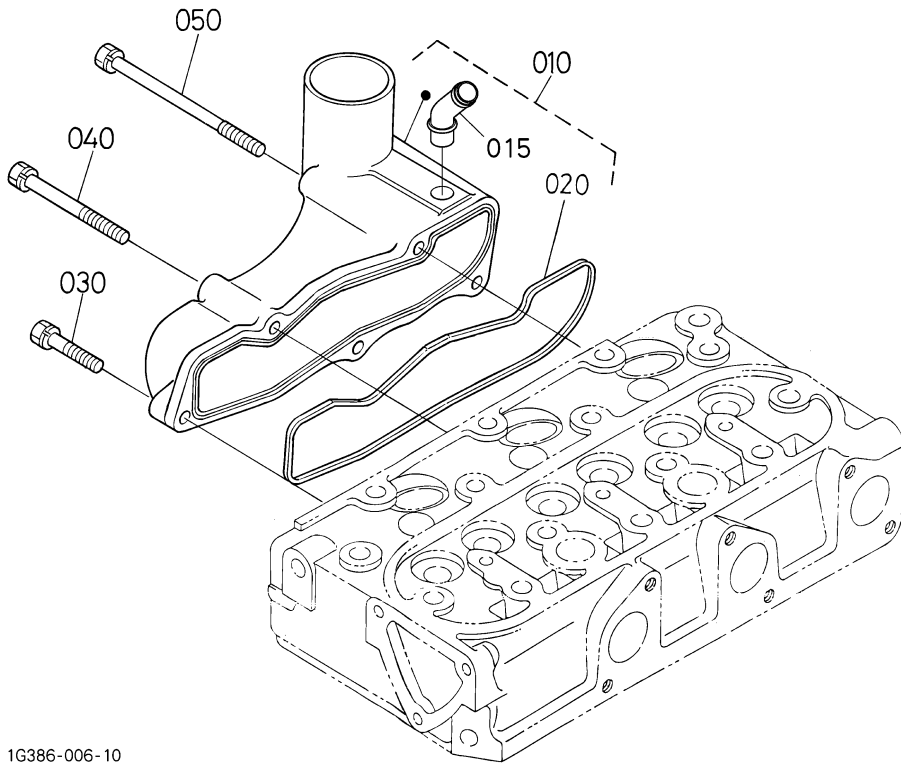
1G639-105-10

A:D722-E2B-MNTM-1

REF. No.	PART No.	PART NAME	Q' TY/S. No.		I. C.	REMARKS
			A	B		
010	14601-1311-0	VALVE, INLET	3	-		
020	14601-1312-0	VALVE, EXHAUST	3	-		
030	14601-1324-0	SPRING, VALVE	6	-		
040	14601-1333-0	RETAINER, SPRING	6	-		
050	14601-1336-0	COLLET, VALVE SPRING	6	-		SET
060	16851-1328-0	CAP, VALVE	6	-		
070	11420-1315-0	SEAL, VALVE STEM	6	-		
080	15861-1426-3	SHAFT, ROCKER ARM	1	-		
090	16871-1443-0	WASHER	2	-		
100	15841-9402-2	WASHER, PLAIN	2	-		
110	01023-50610	BOLT	2	-		
120	1G958-1435-0	BRACKET, ROCKER ARM	3	-		
130	01754-50640	BOLT, FLANGE	3	-		
140	----	BLANK	-	-		
150	----	BLANK	-	-		
160	----	BLANK	-	-		
170	05411-00420	PIN, SPRING	1	-		
180	14601-1431-0	SPRING, ROCKER ARM	2	-		
190	15841-1403-0	ASSY ROCKER ARM	6	-		
200	15841-1423-0	SCREW, ADJUSTING	6	-		
210	14601-1424-0	NUT	6	-		

↔ Interchangeable; ≠ not interchangeable; ← new for old; → old for new

0601 INLET MANIFOLD



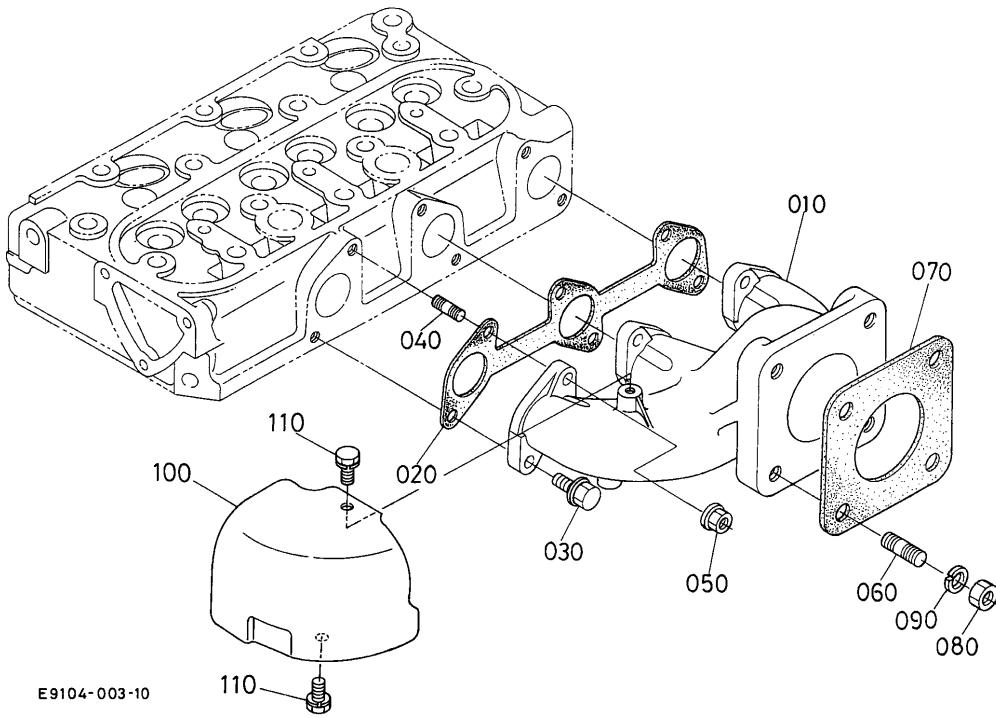
1G386-006-10

A:D722-E2B-MNTM-1

REF. No.	PART No.	PART NAME	Q' TY/S. No.		I. C.	REMARKS
			A	B		
010	1G968-1177-0	ASSY MANIFOLD, INLET	1	-		
015	1G960-0555-0	PIPE, BREATHER	1	-		
020	15861-1182-0	GASKET, IN-MANIFOLD	1	-		
030	01023-50625	BOLT	2	-		
040	01023-60650	BOLT	2	-		
050	15862-9101-0	BOLT	1	-		

↔ Interchangeable; ≠ not interchangeable; ← new for old; → old for new

0602 EXHAUST MANIFOLD

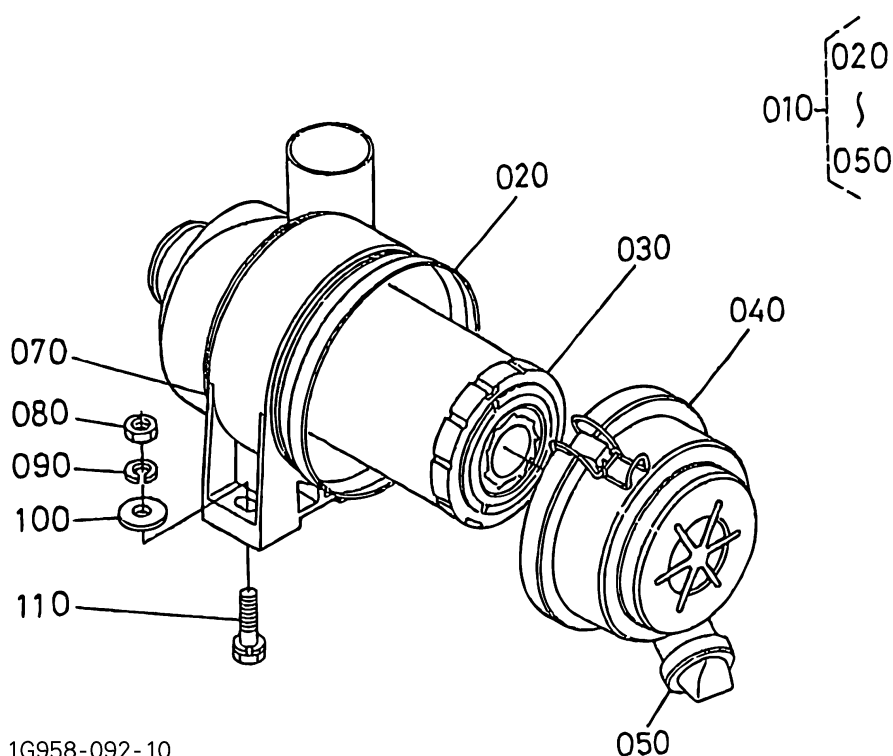


A:D722-E2B-MNTM-1

REF. No.	PART No.	PART NAME	Q' TY/S. No.		I. C.	REMARKS
			A	B		
010	19462-1231-2	MANIFOLD, EXHAUST	1	-		
020	15862-1235-0	GASKET, EX-MANIFOLD	1	-		
030	01759-50616	BOLT, UBS	3	-		
040	01513-50618	STUD	3	-		
050	02756-50060	NUT, UBS	3	-		
060	01513-50822	STUD	4	-		
070	15263-1237-0	GASKET, MUFFLER NA	1	-		
080	02114-50080	NUT	4	-		#
080	02156-50080	NUT	4	-	←	#
090	04512-60080	WASHER, SPRING	4	-		
100	15881-1265-0	COVER, HEAT PROOF	1	-		
110	01202-50608	BOLT	2	-		

↔ Interchangeable; ≠ not interchangeable; ← new for old; → old for new
 40

0603 AIR CLEANER



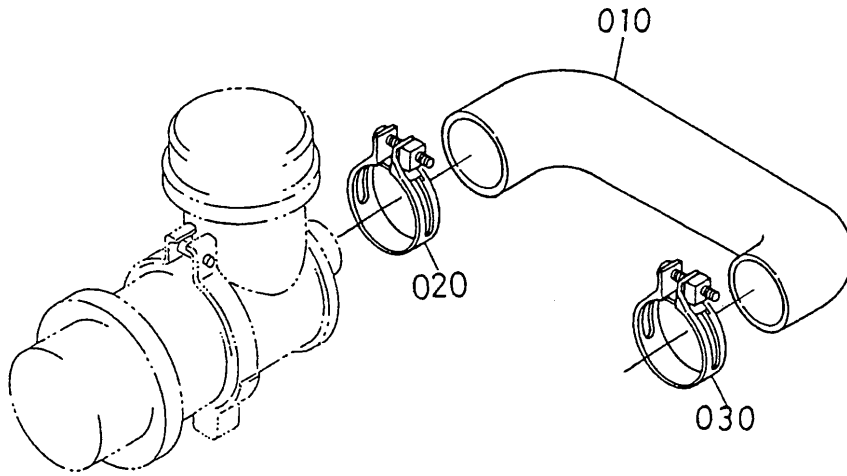
1G958-092-10

A:D722-E2B-MNTM-1

REF. No.	PART No.	PART NAME	Q' TY/S. No.		I. C.	REMARKS
			A	B		
010	1G657-1101-0	ASSY CLEANER, AIR	1	-		
020	1G657-1115-0	BODY, AIR CLEANER	1	-		
030	1G659-1122-0	ELEMENT, AIR CLEANER	1	-		
040	1G657-1116-0	COVER, AIR CLEANER	1	-		
050	1G657-1147-0	VALVE	1	-		
060	----	BLANK	-	-		
070	1G659-1125-0	BRACKET	1	-		
080	02114-50080	NUT	2	-		#
080	02156-50080	NUT	2	-	←	#
090	04512-60080	WASHER, SPRING	2	-		
100	04015-60080	WASHER, PLAIN	2	-		
110	01123-50832	BOLT	2	-		

↔ Interchangeable; ≠ not interchangeable; ← new for old; → old for new

0604 INLET PIPE



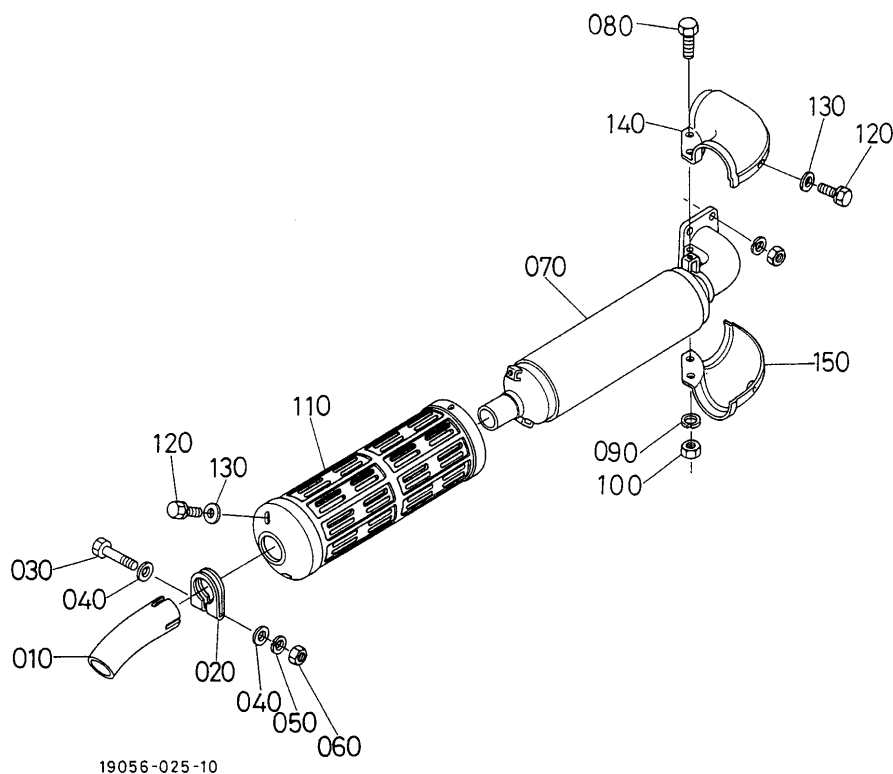
17060-009-10

A:D722-E2B-MNTM-1

REF. No.	PART No.	PART NAME	Q' TY/S. No.		I. C.	REMARKS
			A	B		
010	19462-1162-0	PIPE, INLET	1	-		
020	15221-1172-0	BAND, PIPE	1	-		
030	15261-1172-0	BAND, PIPE	1	-		

↔ Interchangeable; ≠ not interchangeable; ← new for old; → old for new

0605 MUFFLER



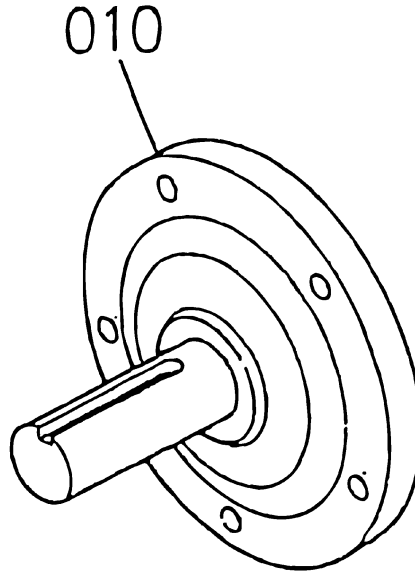
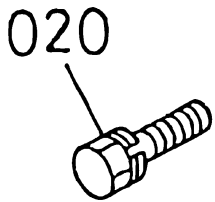
19056-025-10

A:D722-E2B-MNTM-1

REF. No.	PART No.	PART NAME	Q' TY/S. No.		I. C.	REMARKS
			A	B		
010	66711-5441-0	PIPE, EXHAUST	1	-		
020	66711-5442-0	BAND, PIPE	1	-		
030	01153-50865	BOLT	1	-		
040	04013-60080	WASHER, PLAIN	2	-		
050	04512-60080	WASHER, SPRING	1	-		
060	02114-50080	NUT	1	-		#
060	02156-50080	NUT	1	-	←	#
070	15262-1211-0	MUFFLER	1	-		
080	01053-50628	BOLT	2	-		
090	04512-60060	WASHER, SPRING	2	-		
100	02014-50060	NUT	2	-		
110	66811-5451-0	COVER, MUFFLER	1	-		
120	01202-50612	BOLT	4	-		
130	04013-60060	WASHER, PLAIN	4	-		
140	66711-5455-0	COVER, MUFFLER FLANGE	1	-		
150	66711-5456-0	COVER, MUFFLER FLANGE	1	-		

↔ Interchangeable; ≠ not interchangeable; ← new for old; → old for new

0803 PULLEY SHAFT (STUB SHAFT)



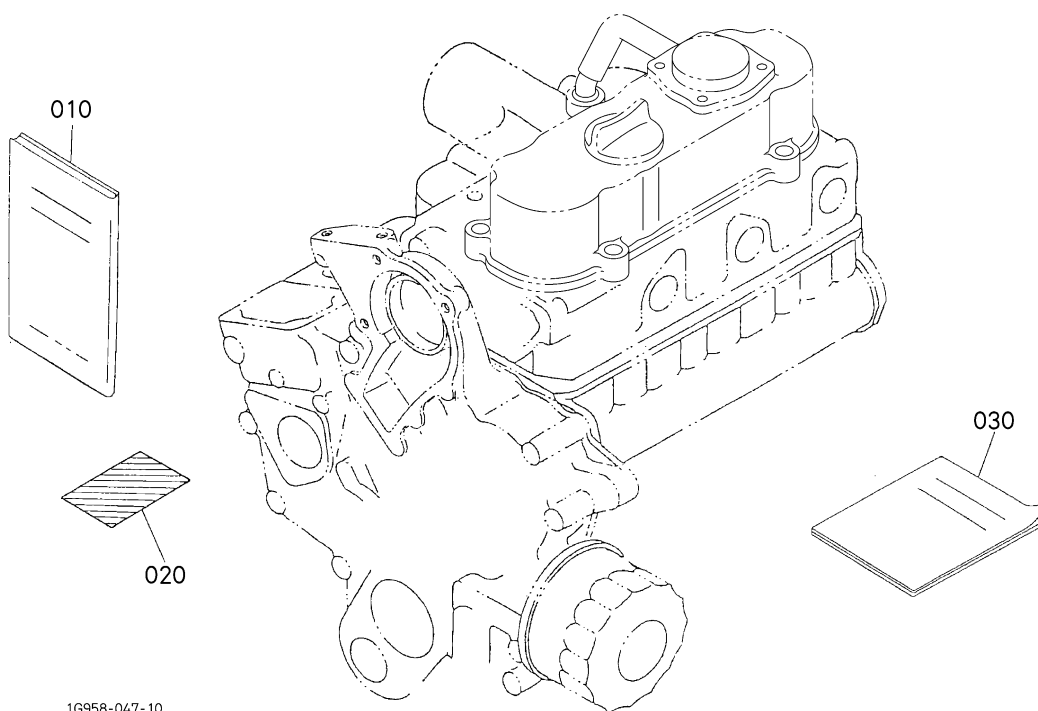
1G958-093-10

A:D722-E2B-MNTM-1

REF. No.	PART No.	PART NAME	Q' TY/S. No.		I. C.	REMARKS
			A	B		
010	19841-8451-0	SHAFT, PULLEY	1	-		
020	01123-50825	BOLT	5	-		

↔ Interchangeable; ≠ not interchangeable; ← new for old; → old for new
45

0809 LABEL AND OPERATOR'S MANUAL



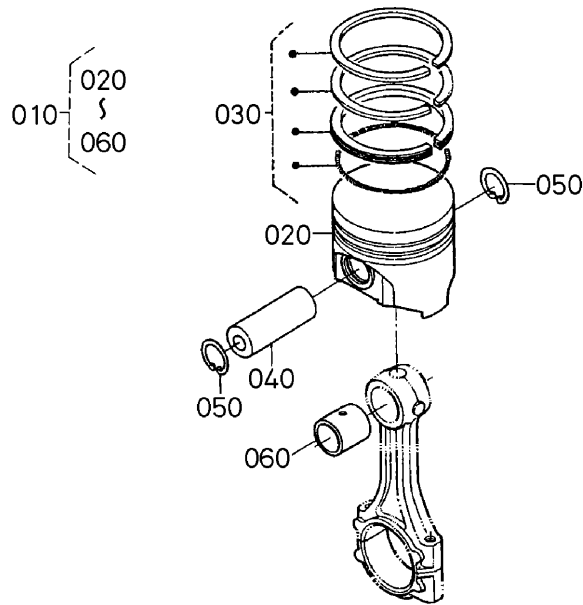
1G958-047-10

A:D722-E2B-MNTM-1

REF. No.	PART No.	PART NAME	Q' TY/S. No.		I. C.	REMARKS
			A	B		
010	16676-8916-7	OPERATOR'S MANUAL	1	-		#
010	16676-8916-8	OPERATOR'S MANUAL	1	-	←	#
020	19426-8790-3	LABEL	1	-		
030	1G511-8981-4	STATEMENT, WARRANTY	1	-		

↔ Interchangeable; ≠ not interchangeable; ← new for old; → old for new

0903 PISTON KIT



1G958-109-10

A:D722-E2B-MNTM-1

REF. No.	PART No.	PART NAME	Q' TY/S. No.		I. C.	REMARKS
			A	B		
010	16871-2177-2	KIT PISTON	3	-		#STD CORRECTION
020	16851-2111-2	PISTON	3	-		#STD
020	16851-2111-4	PISTON	3	-	←	#STD
030	16853-2105-0	ASSY PISTON RING	3	-		STD
040	16871-2131-0	PIN, PISTON	3	-		
050	15261-2133-0	CIR CLIP, PISTON PIN	6	-		
060	16851-2198-2	BUSH, PISTON PIN	3	-		

↔ Interchangeable; ≠ not interchangeable; ← new for old; → old for new
47

NUMERICAL INDEX

PART No.	PAGE	REF. No.	PART No.	PAGE	REF. No.	PART No.	PAGE	REF. No.	PART No.	PAGE	REF. No.
E9151-3314-0	5	060	02756-50060	40	050	12581-4301-2	23	190	15261-2398-0	12	180
K3511-8143-0	29	050	02761-50040	19	170	12586-7213-0	34	140	15261-5547-0	14	090
K3511-8145-0	29	080	02783-50100	8	060	12586-7214-0	34	150	15261-6641-0	22	090
K3511-8146-0	29	110	03024-50510	5	130	12594-7285-0	35	060	15261-9202-0	15	030
K3511-8148-0	30	280	03024-50520	19	140	12594-7294-0	35	070	15261-9601-0	1	050
01023-50610	38	110	04012-50080	26	075	12599-7411-0	36	010		3	050
01023-50612	2	020	04013-60060	43	130	13801-9410-0	29	260	15261-9616-0	1	080
	10	080	04013-60080	23	165	13816-6346-0	29	180	15262-1211-0	43	070
	14	140		26	050	14182-9203-0	27	270	15263-1237-0	40	070
01023-50614	10	140		43	040	14278-9201-0	29	240	15272-7202-0	34	020
01023-50616	25	030	04014-50060	34	240	14301-4352-2	23	030	15321-9626-0	3	040
	26	080	04015-60080	41	100	14301-4357-0	23	150	15393-4358-0	23	100
	32	040	04512-60050	22	100	14301-4359-0	23	120	15401-6339-0	29	135
01023-50618	4	060	04512-60060	17	080	14301-4365-0	23	130	15401-7271-0	34	060
	18	030		34	230	14301-4382-0	23	040	15451-9627-0	1	040
01023-50620	9	070		43	090	14301-4383-0	23	050	15451-9667-0	2	040
01023-50622	9	080	04512-60080	23	167	14301-4384-0	23	060	15471-7244-0	37	050
	32	120		26	070	14601-0345-0	3	100	15481-7305-0	33	040
	33	080		28	040	14601-1311-0	38	010	15501-7247-0	37	070
01023-50625	39	030		28	060	14601-1312-0	38	020	15501-8821-0	37	020
01023-50635	22	120	04512-60080	34	190	14601-1324-0	38	030	15504-6350-0	29	047
01023-50638	33	090		40	090	14601-1333-0	38	040	15504-6353-0	29	045
01023-50675	4	100		41	090	14601-1336-0	38	050	15521-9602-0	1	060
01023-60650	4	070		43	050	14601-1424-0	38	210	15521-9603-0	1	070
	32	050	04611-00520	10	110	14601-1431-0	38	180		4	020
	39	040	04612-00170	14	120	14958-6305-0	29	140	15531-7240-2	37	010
01023-60670	4	090	04814-00090	7	030	14958-6317-0	29	160	15531-7241-0	37	015
01053-50614	34	210	04814-00160	2	060	14958-6326-0	29	120	15531-7242-2	37	030
01053-50618	18	040	04814-06130	4	040	14958-6327-0	29	130	15531-7243-2	37	040
01053-50628	43	080	04814-10070	18	140	14958-6338-0	29	030	15531-7244-2	37	060
01123-50820	23	180	04814-10160	18	080	14958-6353-0	29	100	15601-9665-0	15	090
01123-50825	45	020	04814-16220	12	210	14958-9401-0	29	190		18	050
01123-50830	26	030	04814-50300	5	070	14958-9402-0	29	200		19	050
01123-50832	41	110	04817-00060	23	080	14958-9403-0	29	210	15694-2393-0	11	160
01123-60814	2	070	05012-00508	1	090	14958-9404-0	29	220	15694-2394-0	11	160
01123-60816	3	020	05012-00814	1	100	14971-4275-0	19	030	15707-3375-0	2	030
01153-50822	34	170	05411-00314	18	130	15021-3366-0	15	050	15841-0454-0	9	020
01153-50828	28	020	05411-00318	22	080	15108-7238-0	34	120		9	100
01153-50865	23	160	05411-00420	38	170	15111-7218-0	34	090		9	120
	43	030	05515-61000	34	130	15111-7219-0	34	100	15841-0456-2	9	130
01153-50885	26	040	05712-00408	8	050	15111-7220-0	34	110	15841-0480-0	9	140
01202-50608	40	110	05712-00515	11	130	15221-0175-0	3	010	15841-0481-0	9	040
01202-50612	43	120		14	050	15221-1172-0	42	020	15841-0482-2	9	060
01311-10620	17	050	05712-00518	10	060	15221-3365-0	1	110	15841-1354-0	3	060
01513-50618	40	040	07715-00401	10	040	15221-3370-0	1	150	15841-1356-0	3	070
01513-50822	40	060	07715-00801	14	080		3	120	15841-1403-0	38	190
01754-50610	36	030	07715-03207	11	100		47	060	15841-1423-0	38	200
01754-50612	16	020	07715-03211	4	170	15231-3396-0	1	120	15841-1627-0	10	070
01754-50640	38	130	07715-03217	14	100	15231-4356-0	23	140	15841-1632-0	14	130
01759-50616	40	030	08153-06203	14	030	15231-7311-0	34	050	15841-2325-0	12	190
02014-50060	43	100	09318-88125	5	090	15241-3229-0	4	110	15841-3566-0	8	040
02056-50060	34	220	09318-89030	35	080	15261-0337-0	3	080	15841-3693-0	4	160
02114-50080	26	060	09318-89036	35	090	15261-1172-0	42	030	15841-4250-0	19	020
	28	050	11420-1315-0	38	070	15261-2133-0	11	040	15841-4252-0	19	025
	40	080	11460-6332-0	29	250		47	040	15841-5132-0	17	090
	41	080	11521-6592-0	26	190	15261-2353-0	11	170	15841-5135-0	17	110
	43	060	11521-6597-0	26	200	15261-2354-0	12	180	15841-5136-0	19	040
02156-50080	28	030	12181-6308-0	29	150	15261-2395-0	11	170	15841-5316-0	20	060
	34	180	12181-6322-0	29	170	15261-2396-0	11	170	15841-5317-0	20	040
02751-50060	35	040	12182-6329-0	29	090	15261-2397-0	12	180	15841-5323-0	20	030

NUMERICAL INDEX

PART No.	PAGE	REF. No.	PART No.	PAGE	REF. No.	PART No.	PAGE	REF. No.	PART No.	PAGE	REF. No.
15841-5323-0	20	110	15841-9870-0	21	110	15881-9201-0	27	030	16851-5772-4	18	120
15841-5335-0	20	050	15841-9871-0	21	110	15881-9202-0	27	250	16851-6001-2	16	010
15841-5362-2	19	070	15841-9872-0	21	110	15881-9301-0	27	110	16851-6382-2	13	020
15841-5385-0	19	120	15841-9873-0	21	110	15881-9302-0	27	210	16851-6551-2	19	150
15841-5386-0	19	130	15841-9874-0	21	110	15881-9303-0	27	220	16851-7327-0	32	110
15841-5409-2	15	010	15841-9875-0	21	110	15881-9304-0	27	230	16851-7335-0	32	060
15841-5410-0	15	020	15841-9876-0	21	110	15881-9701-0	26	100	16851-9626-0	1	020
15841-5412-3	15	070	15841-9877-0	21	110	16001-5300-0	19	060	16851-9627-0	1	030
15841-5422-0	15	040	15841-9878-0	21	110		20	010	16853-2105-0	11	020
15841-5427-0	15	060	15841-9879-0	21	110	16001-5390-0	19	055		47	030
15841-5545-0	14	060	15841-9880-0	21	110	16006-5101-0	17	020	16853-2109-0	11	020
15841-5569-0	14	070	15841-9881-0	21	110	16006-5209-2	17	030	16861-0405-0	9	110
15841-5606-0	22	050	15841-9882-0	21	110	16006-5211-2	17	030	16861-1602-3	14	010
15841-5611-2	18	060	15841-9883-0	21	110	16006-5212-2	17	040	16861-2301-0	11	090
15841-5613-0	22	060	15841-9884-0	21	110	16030-9601-0	17	130	16861-2348-0	11	160
15841-5615-0	22	070	15841-9885-0	21	110	16231-6406-0	27	140	16861-2349-0	11	150
15841-5623-0	22	110	15841-9886-0	21	110	16231-6423-0	27	150	16861-2501-4	13	010
15841-5628-0	4	030	15841-9887-0	21	110	16231-6485-0	27	160	16861-5373-3	19	110
15841-5711-2	18	010	15841-9888-0	21	110	16241-6401-2	26	010	16861-6556-0	19	160
15841-5721-2	18	020	15841-9889-0	21	110		27	010	16861-7428-0	26	090
15841-7292-3	32	030	15841-9890-0	21	110	16241-6490-0	27	170	16863-0150-0	2	010
15841-7296-0	35	050	15841-9891-0	21	110	16241-7336-0	32	070	16863-2303-0	11	085
15841-7302-0	1	160	15841-9892-0	21	110	16241-7337-0	5	140	16864-1601-0	10	030
15841-7326-0	32	100	15852-0436-0	9	030		32	020	16864-1651-0	10	050
15841-7425-0	36	020	15852-2516-0	13	030	16264-5214-0	25	020	16864-2401-0	10	090
15841-9101-0	4	080	15852-5285-0	25	010	16475-5328-0	20	070	16864-2411-0	11	120
15841-9105-0	8	030	15852-7334-0	33	060	16478-8823-0	34	070	16864-2425-0	10	120
15841-9150-0	17	060	15852-7352-0	33	020	16611-9202-0	29	230	16864-2429-0	10	100
15841-9151-0	35	030	15852-7355-0	33	030	16652-6431-0	27	180	16864-9201-0	10	130
15841-9203-0	20	020	15853-3243-0	6	010	16652-6477-0	27	070	16866-5700-9	18	170
15841-9232-0	17	070	15861-1182-0	39	020	16652-6478-0	27	130	16866-5730-2	18	160
15841-9233-0	15	100	15861-1426-3	38	080	16676-7206-2	34	010	16866-9201-0	18	100
15841-9401-0	4	120	15861-2297-0	11	080	16676-8916-7	46	010	16871-0331-0	3	110
15841-9402-2	38	100	15861-2298-0	11	080	16689-8843-0	23	110		47	050
15841-9404-0	20	080	15861-2347-0	11	140	16805-7286-0	35	010	16871-1443-0	38	090
15841-9568-0	17	010	15861-2386-0	11	150	16805-7287-0	35	020	16871-2131-0	11	030
15841-9602-0	3	090	15861-2387-0	11	150	16851-0402-4	4	010	16871-9101-0	13	050
	31	010	15861-2391-0	11	140	16851-0404-0	9	090	16871-9730-0	14	110
15841-9665-0	17	100	15861-2392-0	11	140	16851-0409-2	9	010	16873-0101-6	1	010
15841-9666-0	17	120	15861-9665-0	17	140	16851-1328-0	38	060	16873-2100-0	47	010
15841-9810-0	20	100	15862-0413-2	4	050	16851-1511-0	10	020	16873-7270-4	32	010
15841-9851-0	20	110	15862-1235-0	40	020	16851-1555-2	10	010	16875-3641-0	7	010
15841-9852-0	20	110	15862-4250-2	19	010	16851-1621-2	1	140	16875-3650-2	7	020
15841-9853-0	20	110	15862-9101-0	39	050	16851-2111-2	11	010	16878-5774-2	18	110
15841-9854-0	20	110	15875-1617-3	14	020		47	020	16878-5792-0	18	150
15841-9855-0	20	110	15877-0414-0	4	130	16851-2190-0	11	010	17331-5919-0	1	130
15841-9856-0	20	110	15881-1265-0	40	100	16851-2198-2	11	060	17548-6442-0	26	020
15841-9857-0	20	110	15881-2331-0	12	200	16851-2201-5	11	050	19077-5365-0	19	080
15841-9858-0	20	110	15881-6409-0	27	190	16851-2214-0	11	070	19077-8724-0	34	030
15841-9859-0	20	110	15881-6411-0	27	020	16851-2232-0	11	080	19203-7301-0	32	090
15841-9860-0	20	110	15881-6415-0	27	040	16851-3211-0	2	050	19204-4301-0	23	010
15841-9861-0	20	110	15881-6426-0	27	120	16851-3501-2	8	010	19204-4310-0	23	090
15841-9862-0	20	110	15881-6433-0	27	200	16851-3515-2	8	020	19204-4311-0	23	020
15841-9863-0	20	110	15881-6471-0	27	100	16851-3695-0	4	150	19204-4328-0	23	070
15841-9864-0	20	110	15881-6480-0	27	060	16851-5115-0	14	040	19215-2328-0	11	110
15841-9865-0	20	110	15881-6481-0	27	080	16851-5361-0	20	090	19215-6375-0	26	180
15841-9866-0	20	110	15881-7343-2	33	070	16851-5371-3	19	090	19215-9916-0	9	050
15841-9867-0	20	110	15881-9103-0	26	110	16851-5372-3	19	100	19237-6591-0	26	170
15841-9868-0	20	110	15881-9104-0	27	240	16851-5641-0	22	020	19280-5724-0	18	070
15841-9869-0	20	110	15881-9105-0	27	260	16851-5648-0	22	010	19298-9602-0	32	080

NUMERICAL INDEX

PART No.	PAGE	REF. No.	PART No.	PAGE	REF. No.	PART No.	PAGE	REF. No.	PART No.	PAGE	REF. No.
19416-7215-0	34	160									
19426-8788-0	34	080									
19426-8790-3	46	020									
19437-7233-0	34	040									
19449-7250-2	37	080									
19461-5423-0	22	040									
19461-5607-0	22	030									
19462-1162-0	42	010									
19462-1231-2	40	010									
19616-9201-0	29	270									
19653-4343-0	23	170									
19666-0462-0	13	040									
19837-6437-4	26	120									
19838-6583-0	26	150									
19841-8451-0	45	010									
19872-6588-0	26	160									
19883-7303-0	33	010									
19883-7351-0	33	050									
1G021-9665-0	15	095									
1G031-5421-0	15	080									
1G511-8981-4	46	030									
1G639-1386-0	26	130									
1G639-5715-0	18	090									
1G639-7412-0	34	200									
1G657-1101-0	41	010									
1G657-1115-0	41	020									
1G657-1116-0	41	040									
1G657-1147-0	41	050									
1G659-1122-0	41	030									
1G659-1125-0	41	070									
1G911-0512-0	5	120									
1G911-0520-2	5	110									
1G911-9102-2	5	040									
1G958-0537-0	5	030									
1G958-1435-0	38	120									
1G958-1450-2	5	010									
1G958-1452-0	5	020									
1G960-0551-0	5	080									
1G960-0555-0	39	015									
1G968-0304-0	3	030									
1G968-1177-0	39	010									
1K531-6460-0	27	280									
66436-6402-0	27	090									
66436-6404-0	27	050									
66706-5512-0	44	010									
66706-5515-0	44	040									
66711-5441-0	43	010									
66711-5442-0	43	020									
66711-5455-0	43	140									
66711-5456-0	43	150									
66711-5513-0	44	020									
66711-5524-0	44	030									
66811-5451-0	43	110									
67980-3115-0	28	010									
	29	010									
67980-3118-0	29	060									
68371-5121-0	24	010									
6A100-3116-0	29	020									
6A100-3117-0	29	040									
6A100-3119-0	29	070									

PIES.No.		EDK0000820
BLOCK No.	LINE No.	A (1)
01	01	1G958-36000 D722-E2B-MNTM-1

KUBOTA

THE BASIC NECESSITIES GIANT

"Technology for the Needs of Tomorrow" is the ambition of everyone at KUBOTA. Through research and the development of new products for agriculture, industry, construction, and many other areas of modern life, we at KUBOTA hope to realize this goal.

PRINTED in JAPAN