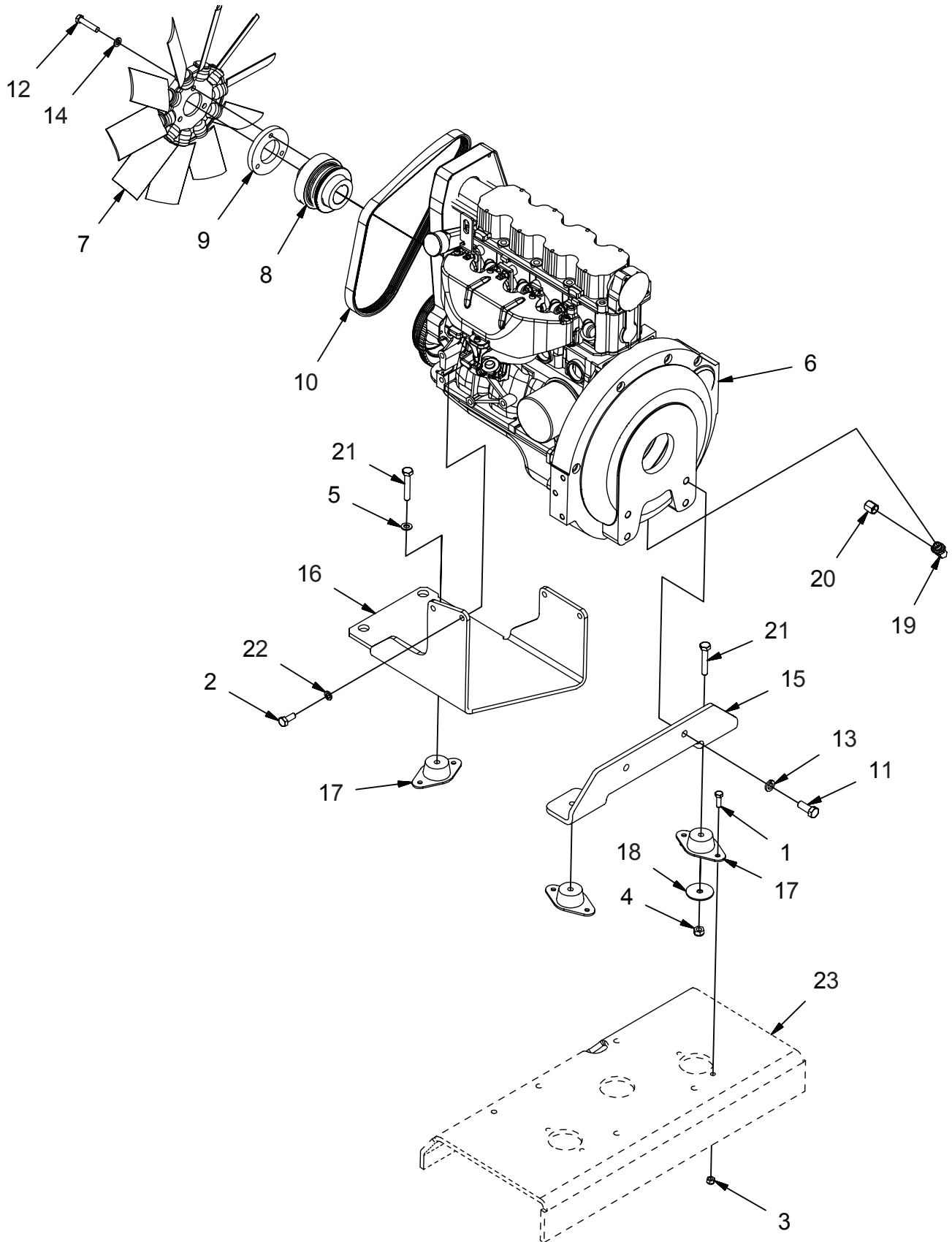
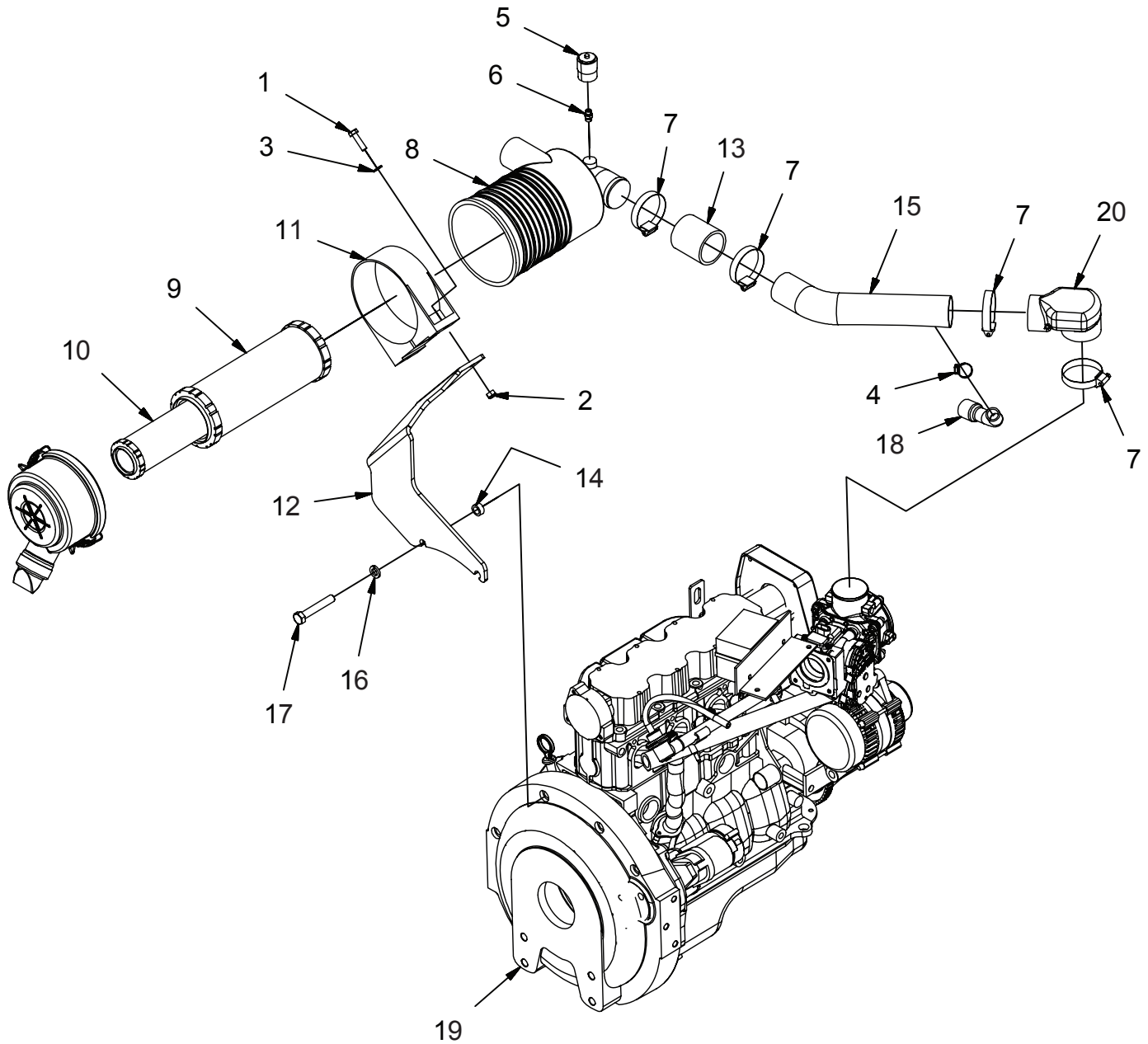


ENGINE GM 1.6L LPG - ENGINE MOUNT



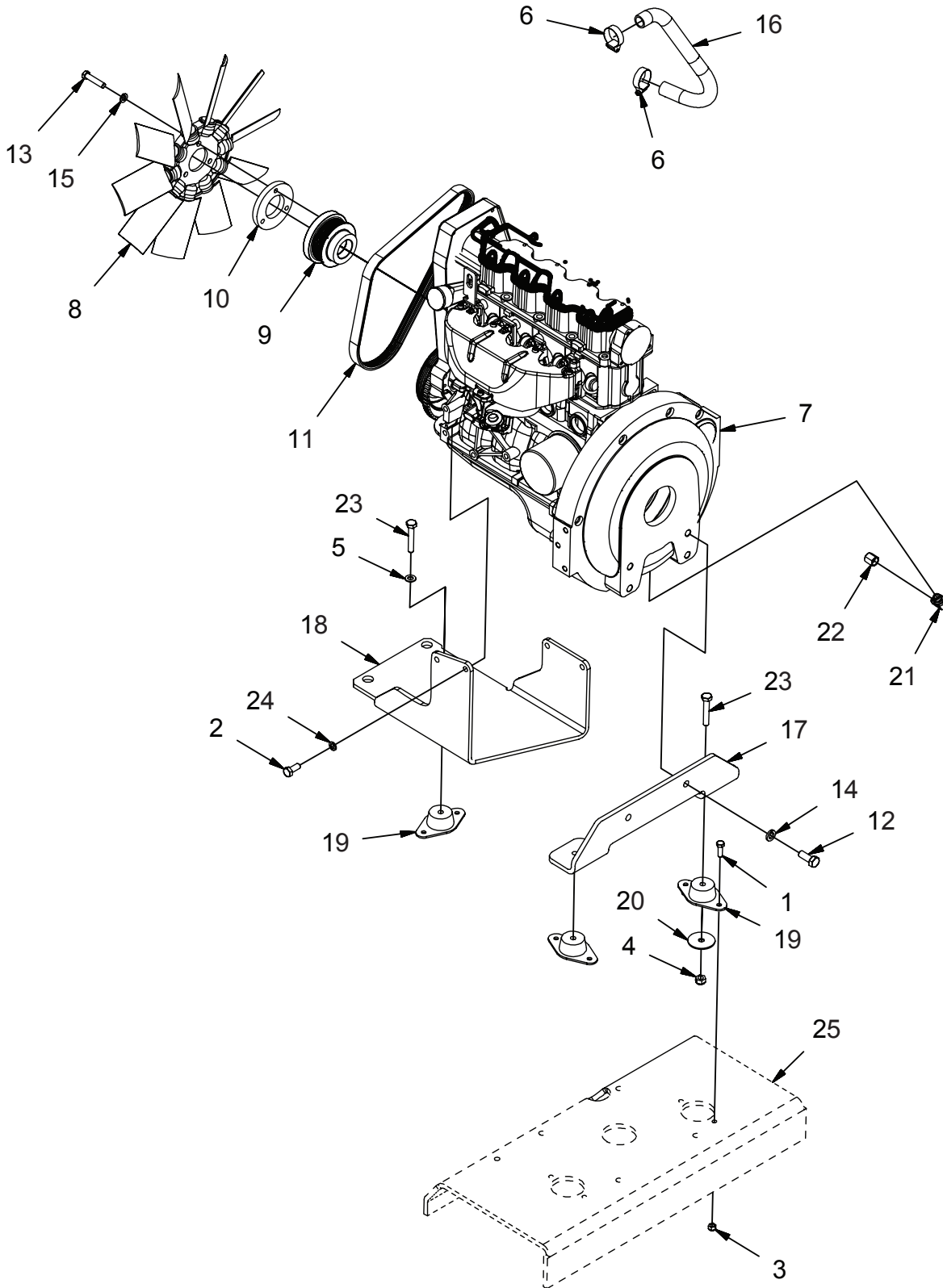
Parts List			
ITEM	PART NUMBER	QTY	DESCRIPTION
1	11038247	6	BLT-HH M8-125 X 25 STL ZINC
2	11038346	4	BOLT, M10-1.50 X 25 HH
3	12040051	6	NUT, M8-1.25 ESN
4	12040069	3	NUT, M10-1.50 ESN
5	12310058	1	WASHER, M10
6	3332826	1	ENGINE, GM 1.6
7	3342304_35_degree	1	FAN, GM_1.6L , PUSHER, 35-DEGREE
8	3343611	1	FAN-1.6 GM PULLEY (SP)
9	3343623	1	SPACER, GM_1.6L FAN, PUSHER
10	3343634	1	BELT-1.6 GM FANPOLY 6-V 39"
11	3400021	2	SCREW, 1/2-13 X 1.25 HH
12	3400027	3	SCREW, 3/8-16 X 1.75 GRD5
13	3400098	2	LOCK WASHER, 1/2 HS MED
14	3400101	3	LOCK WASHER, 3/8 HS MED
15	600210	1	MOUNT, REAR ENGINE
16	600211	1	MOUNT, FRONT ENGINE
17	600212	3	ISOLATOR, VIBRATION
18	600333	3	WASHER, SAFETY
19	600832	1	FITTING, 90, ENGINE OIL DRAIN
20	600833	1	FITTING, CAP
21	600925	3	BOLT, M10-1.50 X 60 HH
22	600945	4	LOCK WASHER, M10
23	REF.	-	FRAME

ENGINE GM 1.6L LPG - AIR CLEANER



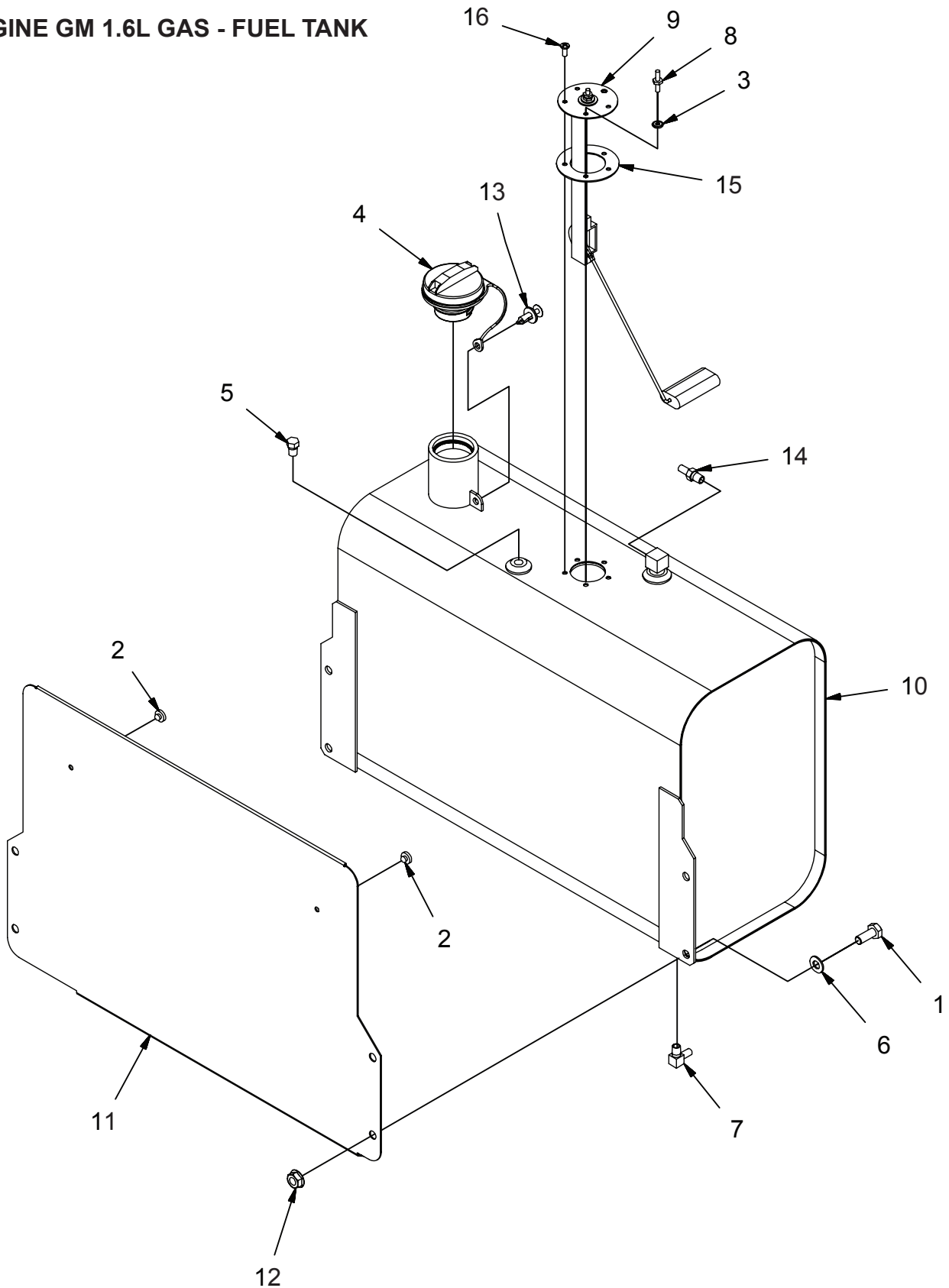
Parts List			
ITEM	PART NUMBER	QTY	DESCRIPTION
1	11038254	2	BOLT, M8-125 X 30 HH
2	12040051	2	NUT, M8-1.25 ESN
3	12310041	2	WASHER, M8
4	3300535	1	CLAMP, HOSE, .50
5	3303991	1	INDICATOR, FLTR SERVICE
6	3305640	1	FITTING, NIPPLE
7	3312189	4	CLAMP, HOSE, 2.00
8	3317917	1	HOUSING, AIR FLTR
9	3321143	1	ELEMENT, FLTR, PRIMARY
10	3322572	1	ELEMENT, FLTR, SAFETY
11	600385	1	MOUNTING BAND, AIR CLEANER
12	600463	1	MOUNT, AIR FLTR
13	600580	1	HOSE, 2.00 X 2.50
14	600811	2	SPACER, .50 B .75 OD .33 T
15	600873	1	WELDMENT, INTAKE TUBE, LPG
16	600961	2	LOCK WASHER, M12
17	620032	2	BOLT, M12-1.75 X 70 HH
18	PART OF ENGINE	1	HOSE, PCV
19	REF.	-	ENGINE
20	REF.	1	COBRA AIR INTAKE

ENGINE GM 1.6L GAS - ENGINE MOUNT



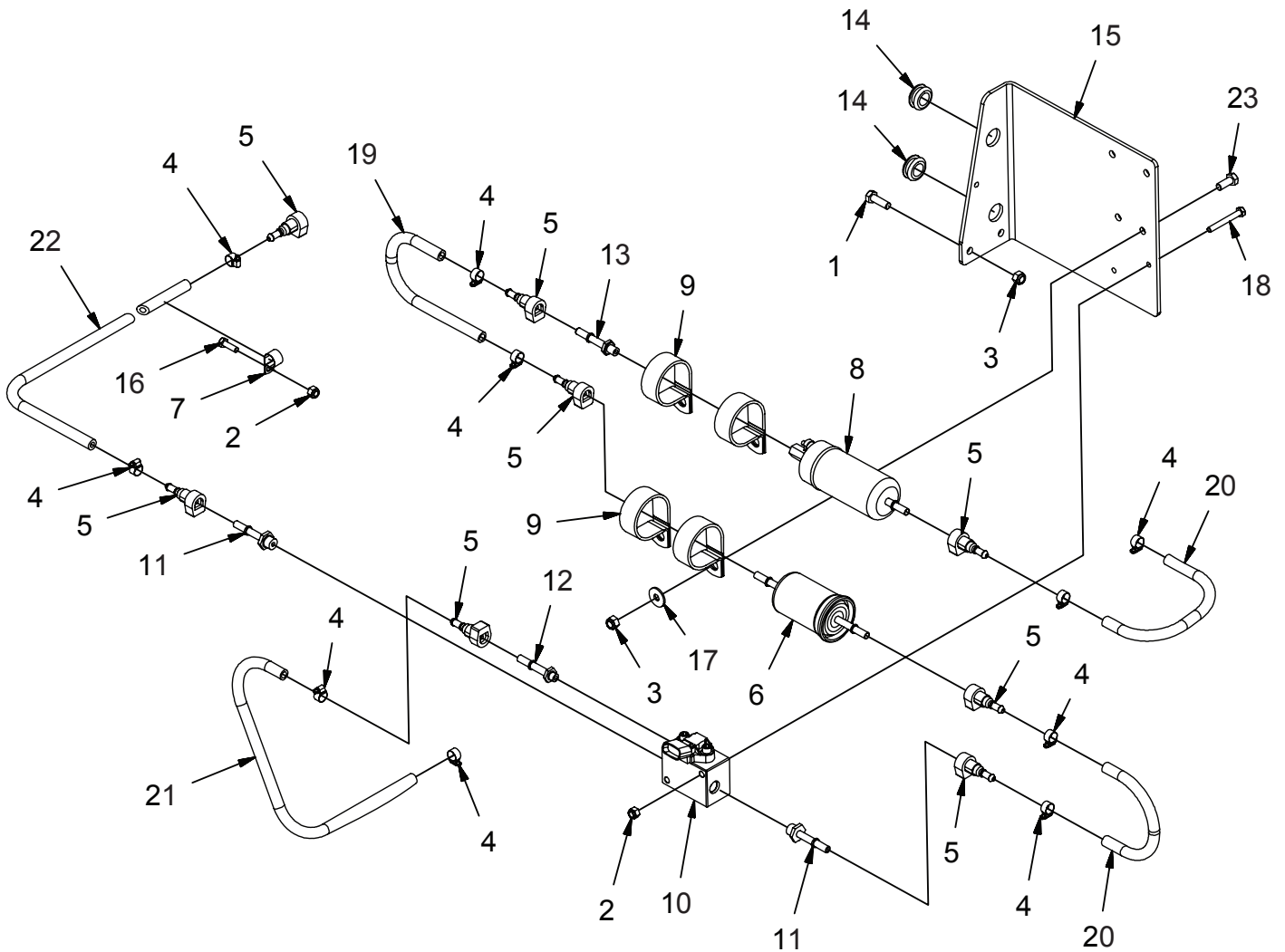
Parts List			
ITEM	PART NUMBER	QTY	DESCRIPTION
1	11038247	6	BLT-HH M8-125 X 25 STL ZINC
2	11038346	4	BOLT, M10-1.50 X 25 HH
3	12040051	6	NUT, M8-1.25 ESN
4	12040069	3	NUT, M10-1.50 ESN
5	12310058	1	WASHER, M10
6	3302193	2	CLAMP, HOSE, .75 - 1.25
7	3343324	1	ENGINE, GM 1.6
8	3342304_35_degree	1	FAN, GM_1.6L , PUSHER, 35-DEGREE
9	3343611	1	FAN-1.6 GM PULLEY (SP)
10	3343623	1	SPACER, GM_1.6L FAN, PUSHER
11	3343634	1	BELT-1.6 GM FANPOLY 6-V 39"
12	3400021	2	SCREW, 1/2-13 X 1.25 HH
13	3400027	3	SCREW, 3/8-16 X 1.75 GRD5
14	3400098	2	LOCK WASHER, 1/2 HS MED
15	3400101	3	LOCK WASHER, 3/8 HS MED
16	3500656	1	HOSE, WATER, .75 ID
17	600210	1	MOUNT, REAR ENGINE
18	600211	1	MOUNT, FRONT ENGINE
19	600212	3	ISOLATOR, VIBRATION
20	600333	3	WASHER, SAFETY
21	600832	1	FITTING, 90, ENGINE OIL DRAIN
22	600833	1	FITTING, CAP
23	600925	3	BOLT, M10-1.50 X 60 HH
24	600945	4	LOCK WASHER, M10
25	REF.	-	FRAME

ENGINE GM 1.6L GAS - FUEL TANK



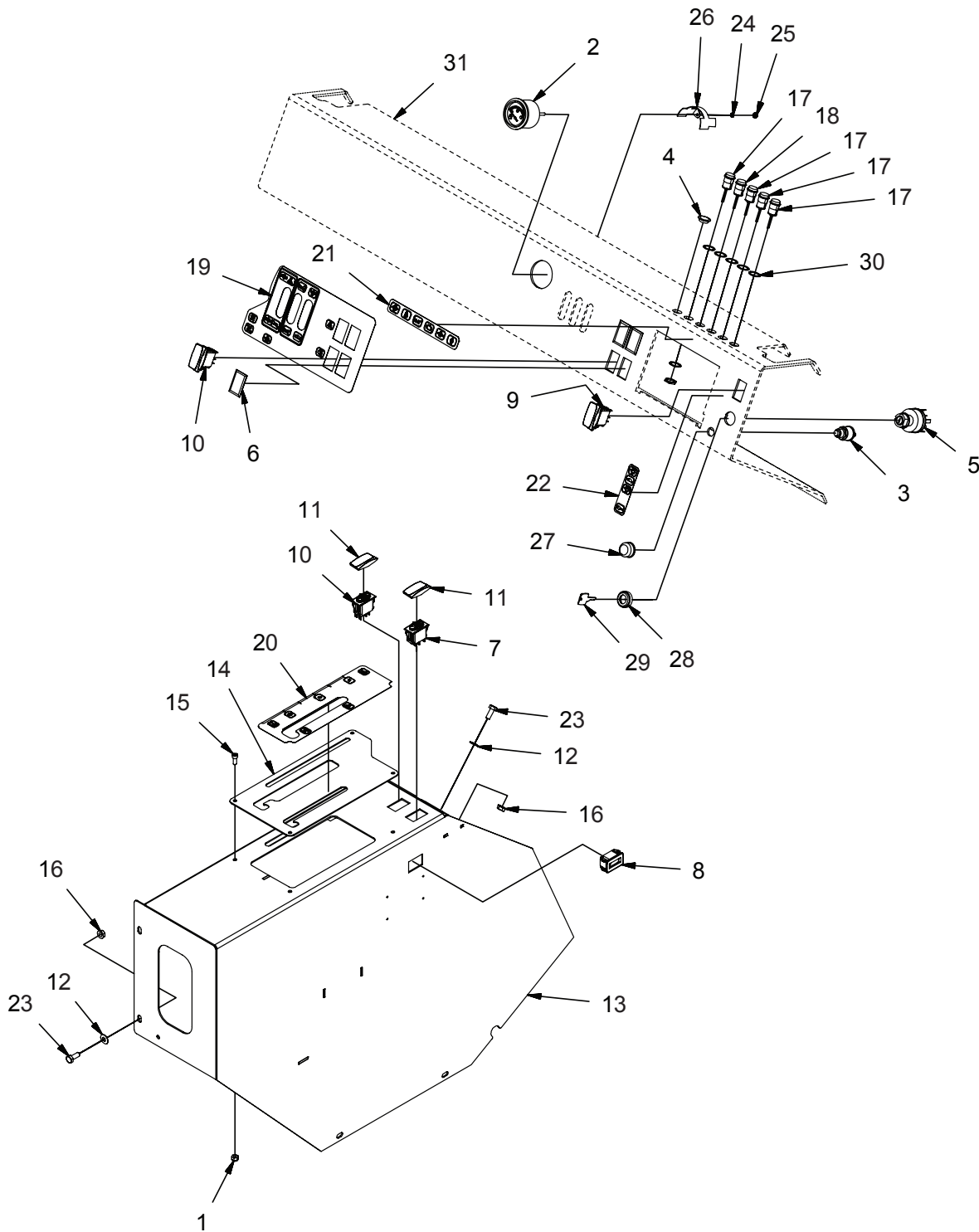
Parts List			
ITEM	PART NUMBER	QTY	DESCRIPTION
1	11038346	4	BOLT, M10-1.50 X 25 HH
2	3300526	2	BUMPER, .25 ID .125 T
3	3337019	1	SEAL, #10
4	3343413	1	CAP, FUEL TANK
5	3400256	1	PLUG, 1/4 NPT
6	3400385	4	WASHER, 3/8. BELLEVILLE
7	3401445	1	FITTING, 90, 1/4 NPT X 5/16 BARB
8	3401579	1	SCREW, HEX, STANDOFF, 2X #10-32 X .50
9	600179	1	SENDING UNIT, FUEL LEVEL
10	600181	1	FUEL TANK
11	600505	1	OVERFLOW PLT
12	600936	4	NUT, M10-1.50 FLNG
13	600965	1	FASTENER, PRESS-IN
14	620052	1	FITTING, STR, 1/4 NPT - 5/16 BARB
15	PART OF 84-2041	1	GASKET
16	PART OF 84-2041	4	SCREW #10-32 X .50
	748937	1	WIRE ASSY - FUEL SENDING UNIT

ENGINE GM 1.6L GAS - FUEL COMPONENTS



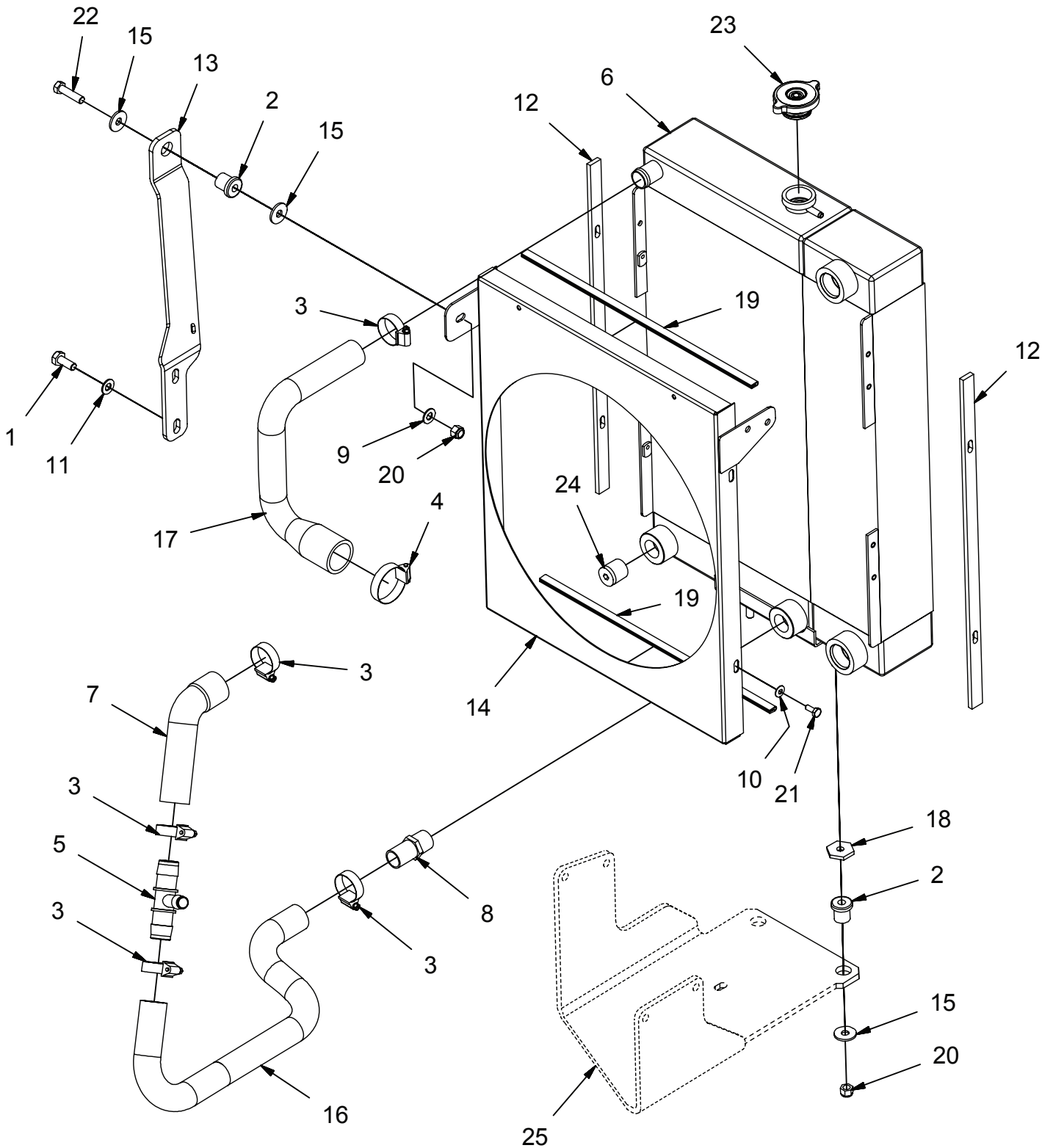
Parts List			
ITEM	PART NUMBER	QTY	DESCRIPTION
1	11038247	2	BLT-HH M8-125 X 25 STL ZINC
2	12040044	3	NUT, M6-1.00 ESN
3	12040051	6	NUT, M8-1.25 ESN
4	3302338	10	CLAMP, HOSE, .50
5	3342207	8	FITTING, ADAPTER, FUEL
6	3342209	1	FILTER, FUEL
7	3343082	1	CLAMP, HOSE
8	3343536	1	PUMP, FUEL
9	3343539	4	CLAMP, 2"
10	3343617	1	MANIFOLD, FUEL PRESS/TEMP
11	3401088	2	FTG-ADAPTER, FUEL 1/2-20 W/O-RING
12	3401089	1	FTG-ADAPTER, FUEL 3/8-24 W/O-RING
13	3401090	1	FITTING & GASKET FOR FUEL PUMP
14	600151	2	GROMMET, .63 ID .88 OD .25 T
15	600213	1	MOUNT, FUEL FILTER
16	600913	1	BOLT, M6-100 X 20 HH SS
17	600940	4	WASHER, M8 FENDER
18	600953	2	BOLT, M6-1.00 X 50 HH
19	620001	1	HOSE, FUEL, 5/16 ID X 12.00 LG, SAE30R7
20	620002	2	HOSE, FUEL, 5/16 ID X 10.00 LG, SAE30R7
21	620003	1	HOSE, FUEL, 5/16 ID X 17.00 LG, SAE30R7
22	620004	1	HOSE, FUEL, 5/16 ID X 36.00 LG, SAE30R7
23	717024	4	BOLT, M8-1.25 X 20 HH

ENGINE GM 1.6L GAS - INSTRUMENT PANEL



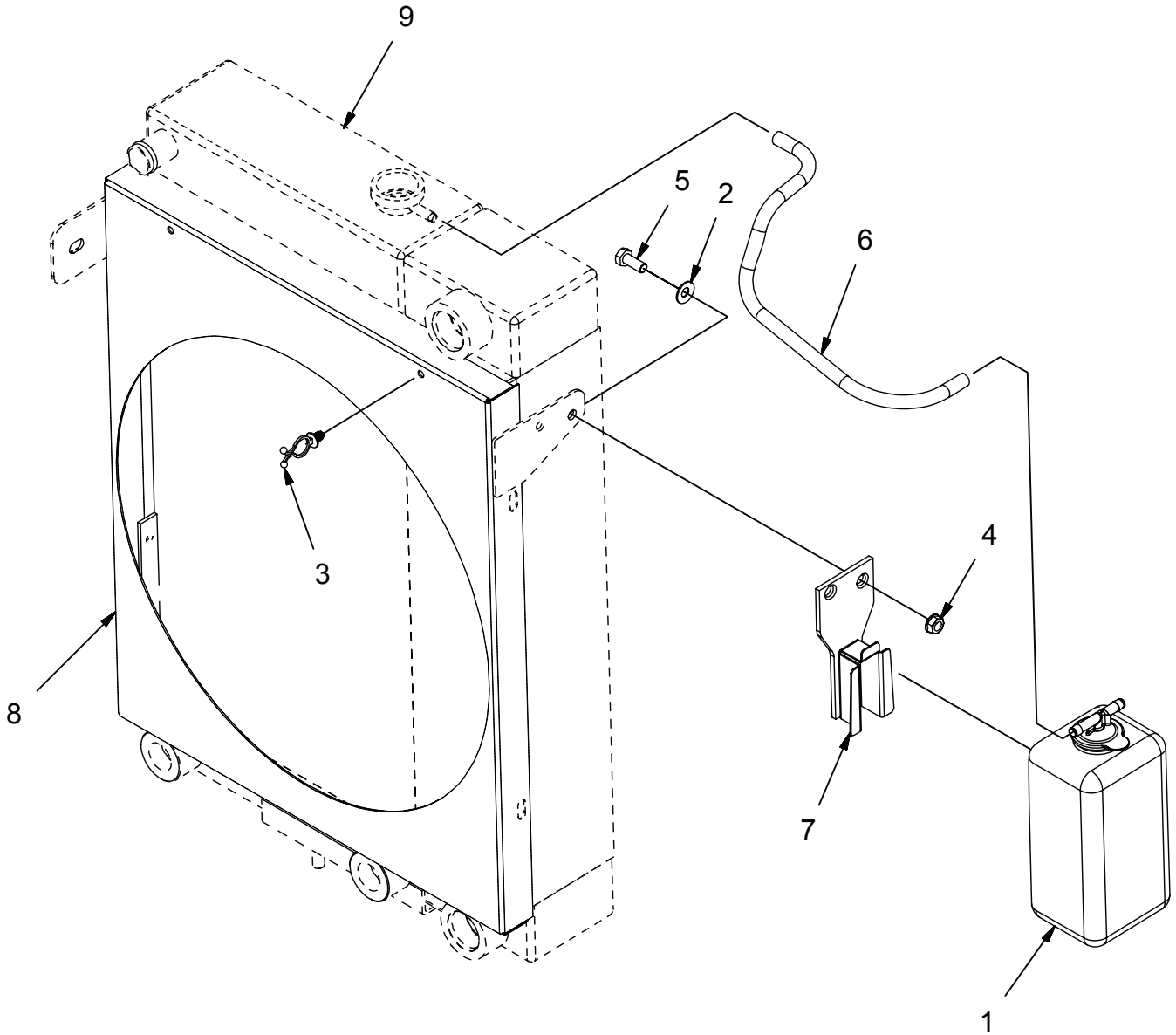
Parts List			
ITEM	PART NUMBER	QTY	DESCRIPTION
1	12040044	4	NUT, M6-1.00 ESN
2	3300382	1	GAUGE, FUEL
3	3300441	1	SWITCH, MOMENTARY
4	3301669	1	COVER, HOLE
5	3316100	1	KEYSWITCH
6	3323529	3	COVER
7	3335114	1	SWITCH, MOMENTARY
8	3336094	1	HOUR METER
9	3342703	1	SWITCH, 3-POSITION
10	3342705	2	SWITCH, DPST
11	3344038	2	SWITCH CAP
12	3400384	4	WASHER, 5/16 BELLEVILLE
13	600474	1	WELDMENT, CONSOLE
14	600560-1	1	PLATE, WEAR
15	600912	4	BOLT, M6-1.00 X 16 AHCS
16	600934	4	NUT, M8-1.25 FLNG
17	620069-1	4	LIGHT ASSY, INDICATOR RED - LED
18	620070-1	1	LIGHT ASSY, INDICATOR AMBER - LED
19	715922	1	DECAL, VALVE, ATLAS
20	715934	1	DECAL, BROOMS, ATLAS
21	715936	1	DECAL, WARNING LIGHTS, ATLAS
22	715937	1	DECAL, ENGINE, ATLAS
23	717024	4	BOLT, M8-1.25 X 20 HH
24	PART OF 3300382	2	LOCKWASHER, EXT #8
25	PART OF 3300382	2	NUT, #8-32
26	PART OF 3300382	1	RETAINER, GAUGE
27	PART OF 3300441	1	CAP, HORN SWITCH
28	PART OF 3316100	1	NUT, KEYSWITCH
29	PART OF 3316100	1	KEY
30	PART OF LED	5	SEAL FOR LED INDICATOR LIGHT
31	REF.	-	FRAME
	3301345-1	1	WIRE ASSY, FUEL GAUGE LIGHT
	748936	1	HARNESS, FUEL GAUGE

ENGINE GM 1.6L LPG AND GAS - RADIATOR



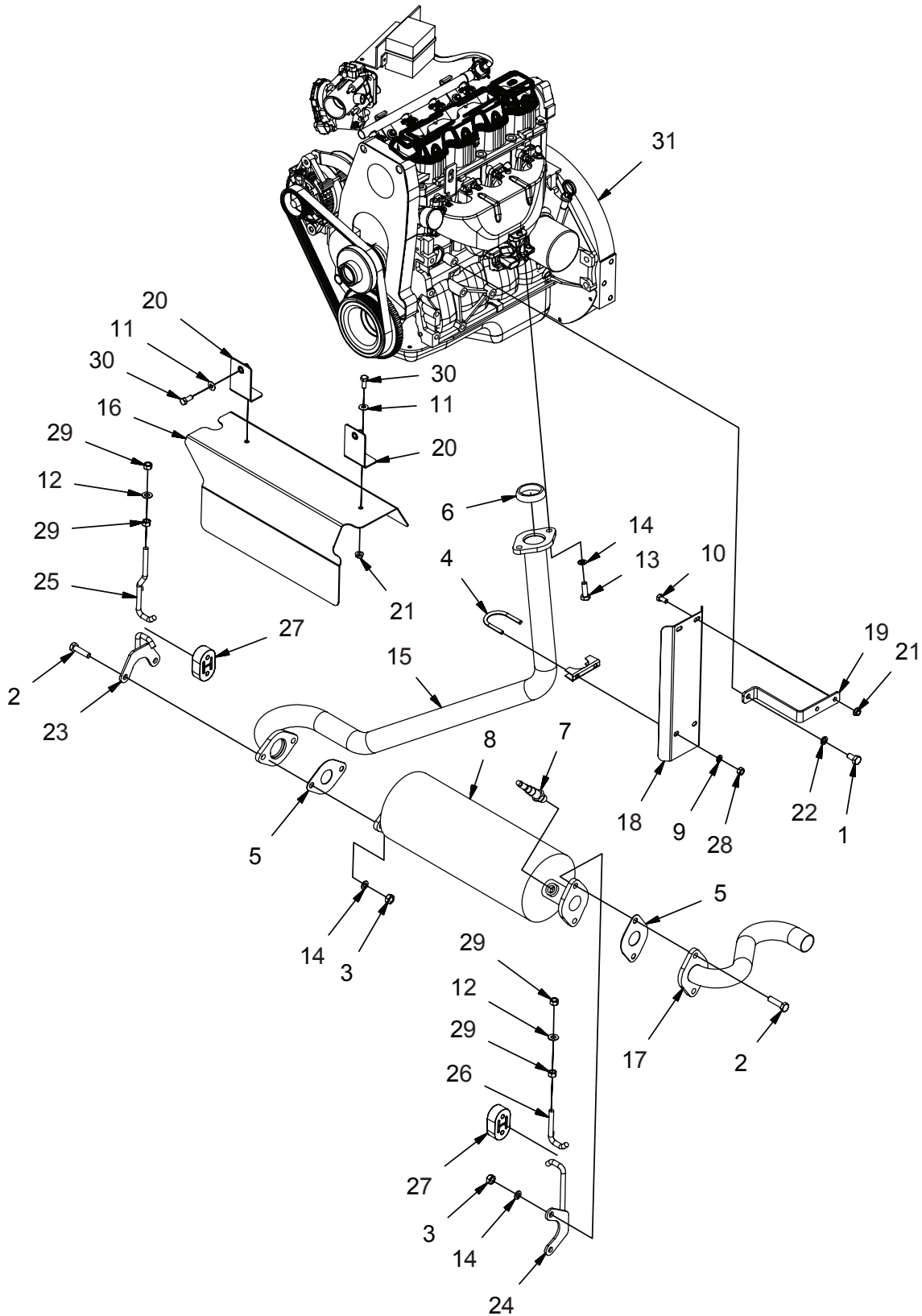
Parts List			
ITEM	PART NUMBER	QTY	DESCRIPTION
1	11038346	2	BOLT, M10-1.50 X 25 HH
2	3300465	3	ISOLATOR, VIB
3	3302193	5	CLAMP, HOSE, .75 - 1.25
4	3303255	1	CLAMP, HOSE, .88 - 1.38
5	3336081	1	TEE. BARB
6	3336679-1	1	RADIATOR - OIL COOLER
7	3341793	1	HOSE, ENG OUTLET
8	3344231	1	FITTING, RADIATOR
9	3400087	1	WASHER, 3/8
10	3400383	4	WASHER, 1/4 BELLEVILLE
11	3400385	2	WASHER, 3/8. BELLEVILLE
12	600198	2	SPACER, SHROUD
13	600199	1	SUPPORT, RADIATOR
14	600200	1	WELDMENT, SHROUD, 1.6 GM
15	600363	4	WASHER, ISOLATOR
16	600510	1	RADIATOR HOSE, LOWER
17	600812	1	HOSE, RADIATOR, UPPER, ATLAS
18	620030	2	WASHER, TAPPED
19	620064	2	SEAL, SHROUD
20	711380	3	NUT, FIBER INSERT 3/8-16
21	713001	4	SCREW, 1/4-20 X .625 HHC
22	713044	1	SCREW, 3/8-16 X 1.500 HHC
23	PART OF 3336679	1	RADIATOR CAP
24	REF	1	PLUG
25	REF.	-	MOUNT, FRONT ENGINE

ENGINE GM 1.6L LPG AND GAS - RADIATOR OVERFLOW BOTTLE



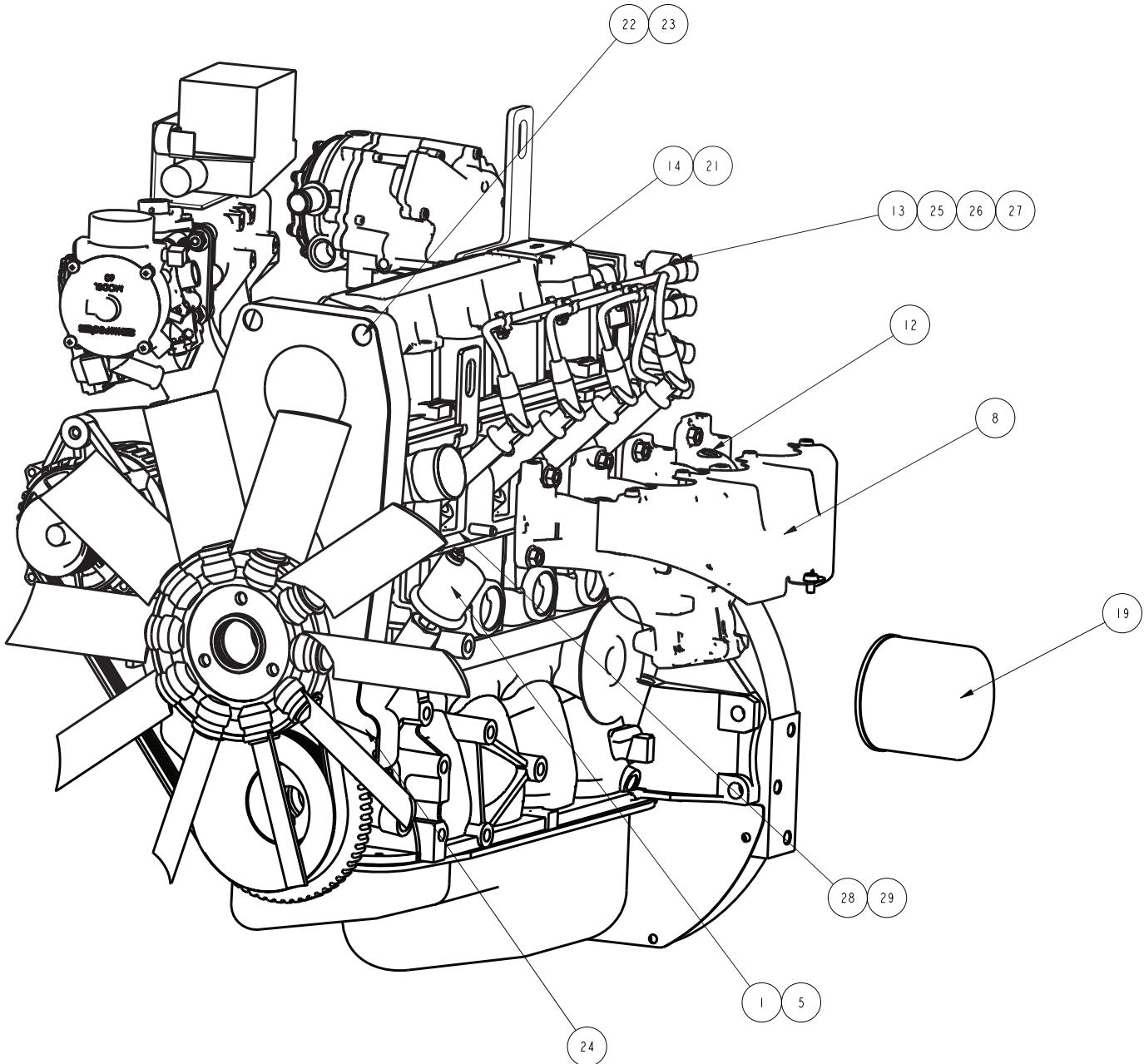
Parts List			
ITEM	PART NUMBER	QTY	DESCRIPTION
1	3318752	1	OVERFLOW BOTTLE KIT
2	3400384	2	WASHER, 5/16 BELLEVILLE
3	600581	1	CLAMP, WIRE CLIP
4	600934	2	NUT, M8-1.25 FLNG
5	717024	2	BOLT, M8-1.25 X 20 HH
6	PART OF 3318752	1	HOSE, OVERFLOW
7	PART OF 3318752	1	BRACKET, BOTTLE
8	REF.	-	SHROUD, RADIATOR
9	REF.	-	RADIATOR

ENGINE GM 1.6L LPG AND GAS - EXHAUST GROUP



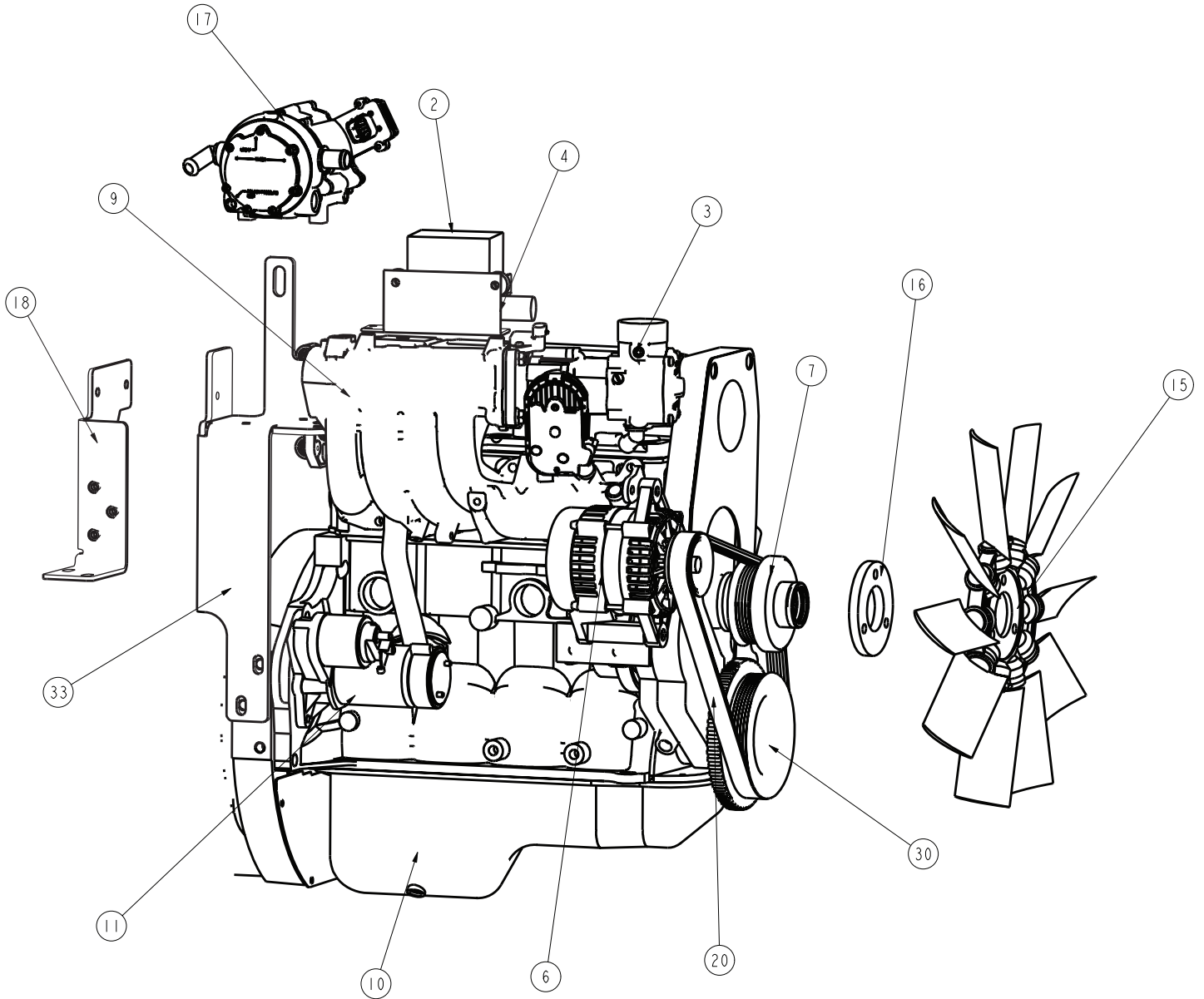
Parts List			
ITEM	PART NUMBER	QTY	DESCRIPTION
1	11038353	1	BOLT, M10-1.50 X 20 HH
2	11038395	4	BOLT, M10-1.50 X 40 HH
3	12022067	4	NUT, M10-1.50 HEX
4	3301640	1	CLAMP, 1.75
5	3333656	2	GASKET, EXHAUST
6	3343069	1	GASKET, EXHAUST RING
7	3343630	1	O2 SENSOR
8	3350056	1	MUFFLER - CONVERTER
9	3400102	2	LOCK WASHER, 5/16 HS MED
10	3400291	2	BOLT, M8-1.25 X 16 HH
11	3400384	4	WASHER, 5/16 BELLEVILLE
12	3400385	2	WASHER, 3/8. BELLEVILLE
13	3401051	2	BOLT, M10-1.50 X 30 HH
14	3401458	6	LOCK WASHER, M10
15	600495	1	EXHAUST PIPE
16	600497	1	HEAT SHIELD
17	600501	1	WELDMENT, TAILPIPE
18	600503	1	HEAT SHIELD
19	600504	1	BRACKET, HEAT SHIELD
20	600805-1	2	ASSEMBLY, SHIELD MNT
21	600934	4	NUT, M8-1.25 FLNG
22	600945	1	LOCK WASHER, M10
23	620197	1	WELDMENT, EXHAUST HANGER, FRONT
24	620199	1	WELDMENT, EXHAUST HANGER, REAR
25	620203	1	EXHAUST HANGER, UPPER FRONT
26	620204	1	EXHAUST HANGER, UPPER REAR
27	620205	2	EXHAUST ISOLATOR
28	711319	2	NUT, HEX 5/16-18
29	711328	4	NUT, HEX 3/8-16
30	717024	4	BOLT, M8-1.25 X 20 HH
31	REF	-	ENGINE

ENGINE GM 1.6L LPG - OIL FILTER, PLUG WIRES & WATER PUMP



ENGINE GM 1.6L LPG - OIL FILTER, PLUG WIRES & WATER PUMP			
ITEM	PART NO.	REQ'D	DESCRIPTION
1	3342078	1	ADAPTER-1.6L GM OIL SENDER
5	3341069	1	SENDER-OIL PRESSURE 12V
8	3343864	1	SHIELD EXHAUST MANIFOLD
12	3343657	1	MANIFOLD-GM 1.6L EXHAUST
13	3342410	1	WIRE-SPLG #1CYL GM 1.6L
14	3342354	1	COVER-CM/SHF HSG GM 1.6L
19	3342201	1	FILTER-OIL (AC-DELCO)
21	3342356	1	GASKET-CAM/SHAFT HSG COVER GM 1.6L
22	3343656	1	FRONT COVER FOR TIMING BELT GM 1.6L
23	3342385	1	BELT-TMG (111 TEETH) GM 1.6L (Behind Cover Not Shown On Drawing)
24	3343668	1	WATER PUMP GM 1.6 Kit (Behind Cover Not Shown On Drawing)
25	3342411	1	WIRE-SPLG #2CYL GM 1.6L
26	3342412	1	WIRE-SPLG #3CYL GM 1.6L
27	3342413	1	WIRE-SPLG #4CYL GM 1.6L
28	3343660	1	CYLINDER HEAD-GM 1.6L
29	3342365	1	GASKET KIT FOR GM 1.6L CYLINDER HEAD

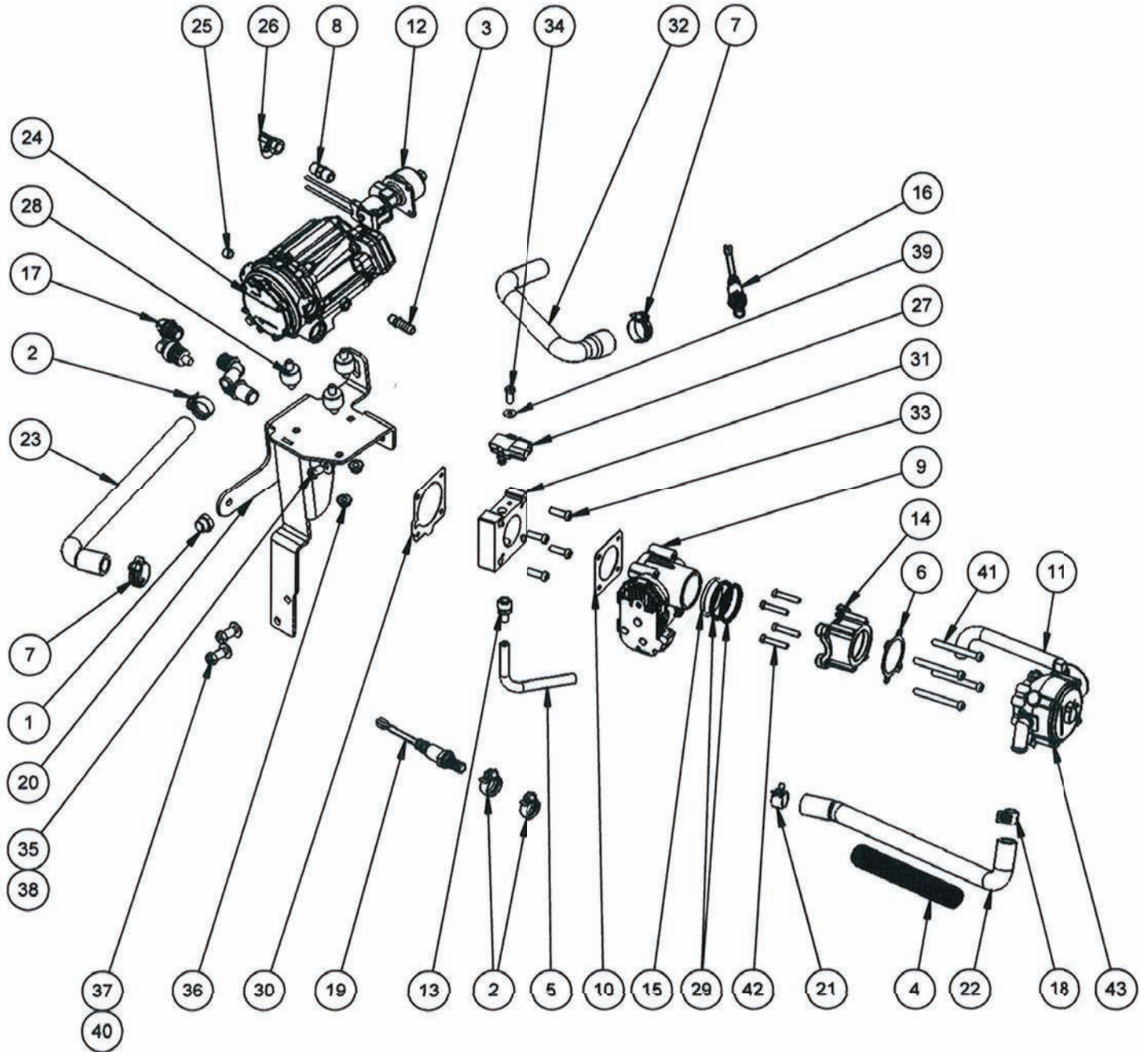
ENGINE GM 1.6L LPG - FAN, ALTERNATOR BELT & STARTER



ENGINE GM 1.6L LPG - FAN, ALTERNATOR BELT & STARTER

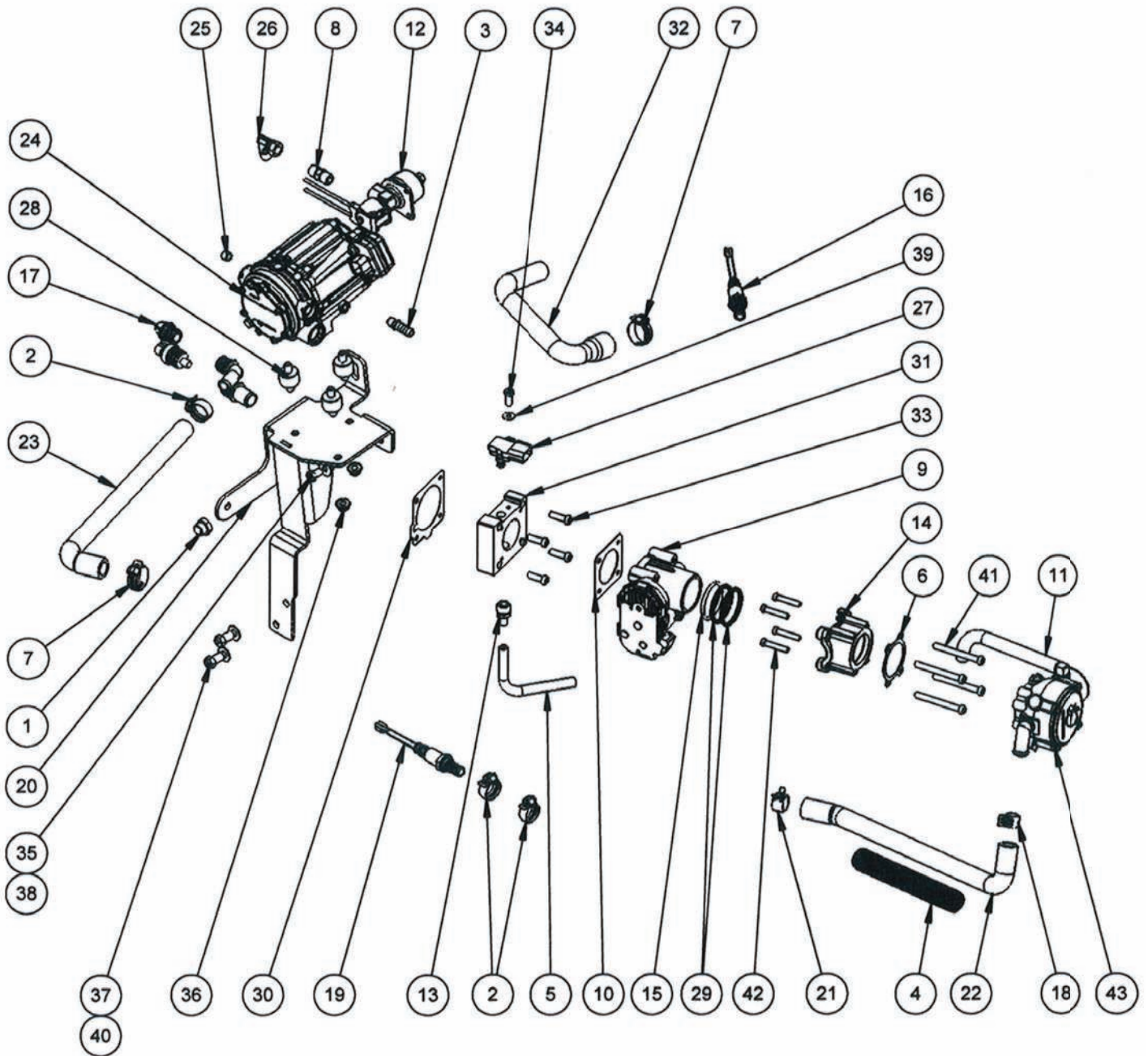
ITEM	PART NO.	REQ'D	DESCRIPTION
2	3343866	1	BOX-FUSE, 1.6 TIER 2
3	3343627	1	THROTTLE BODY-GM 1.6L BOSCH 40 (See Fuel System)
4	3343865	1	BRACKET-FUSE BOX, 1.6 TIER 2
6	3343633	1	ALTERNATOR-GM 1.6L 7SI (DF SUR-BELT)
7	3343611	1	PULLEY FOR FAN-GM 1.6L
9	3343645	1	KIT-GM 1.6L INTAKE MANIFOLD
10	3343662	1	PAN-GM 1.6L OIL
11	3342333	1	STARTER-(2.041) GM 1.6L Before Engine SN1P6L13151 and Earlier
11	3336742	1	STARTER After Engine SN1P6L13151 and Later
15	3342304	1	FAN-PUSHER 16" GM 1.6L
16	3343623	1	SPACER-GM 1.6L FAN PUSHER .85"
17	3339848	1	REGULATOR/EPR (See Fuel System)
20	3343634	1	BELT-GM 1.6L FAN POLY-6V 39"
22	3343656	1	GM 1.6L TIMING BELT FRONT
30	3342317	1	PULLEY-CR/SHF GM 1.6L
33	3339844	1	BRACKET, EPR
-	3343519	1	ECU-GM1.6L, LP TIER 2 (NOT SHOWN)

ENGINE GM 1.6L - LPG FUEL SYSTEM T2



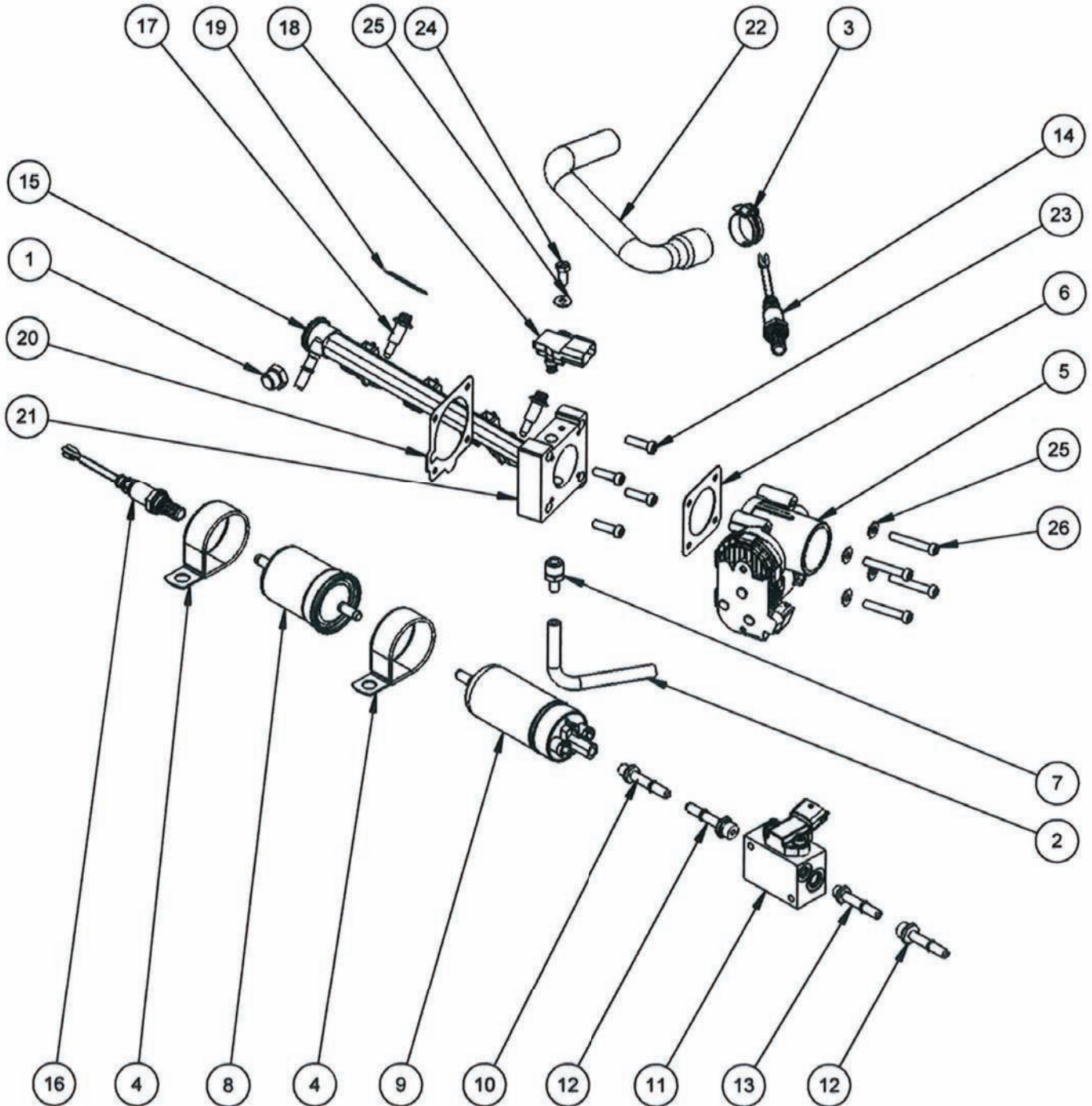
ENGINE GM 1.6L - LPG FUEL SYSTEM T2			
ITEM	PART NO.	REQ'D	DESCRIPTION
1	3339831	1	PLUG-M16 INTAKE MANIFOLD GM T2
2	3339843	3	CLAMP-WORM DRIVE (1/2" WIDTH) HOSE CLAMP (SAE 10) 9/16
3	3339844	1	*INTENTIONAL NUMBER SKIP*
4	3339845	1	LOOM-SPLIT 1" GM T2
5	3339832	1	HOSE-VACUUM 7/32" GM T2
6	3339846	1	GASKET-ADAPTER GM T2
7	3339833	2	CLAMP-WORM DRIVE (1/2" WIDTH) HOSE CLAMP (SAE 12) 11/16
8	3339847	1	NIPPLE-1/4 NPT X 1-3/8 HEX GM T2
9	3339822	1	THROTTLE BODY-40MM GM T2
10	3339834	1	GASKET-4 BOLT, TB GM T2
11	3339848	1	HOSE-FUEL 3/8 DIA. GM T2
12	3339849	1	VALVE-LOCK-OFF GM T2
13	3339835	1	FTG-VAC M16-1.5-6H GM T2
14	3339850	1	ADAPTER- GM T2
15	3339851	1	O-RING-MXR ADPTR 40MM/100 GM T2
16	3343629	1	SENSOR,02 @ MANIFOLD
17	3339852	2	FTG-KIT, EPR GM T2
18	3339853	1	CLAMP-5/8, HOSE (SPRING TYPE) GM T2
19	3343630	1	SENSOR,02 POST CAT
20	3339854	1	BRKT-WELDMENT, REGULATOR MOUNT GM T2
21	3339855	1	CLAMP-3/4, HOSE (SPRING TYPE) GM T2
22	3339856	1	HOSE-MOLDED FUEL GM T2
23	3339857	1	HOSE-MOLDED FUEL GM T2 #2
24	3339858	1	REGULATOR-ELECT PRESS 2007 UL GM T2

ENGINE GM 1.6L - LPG FUEL SYSTEM T2 (CONTINUED)



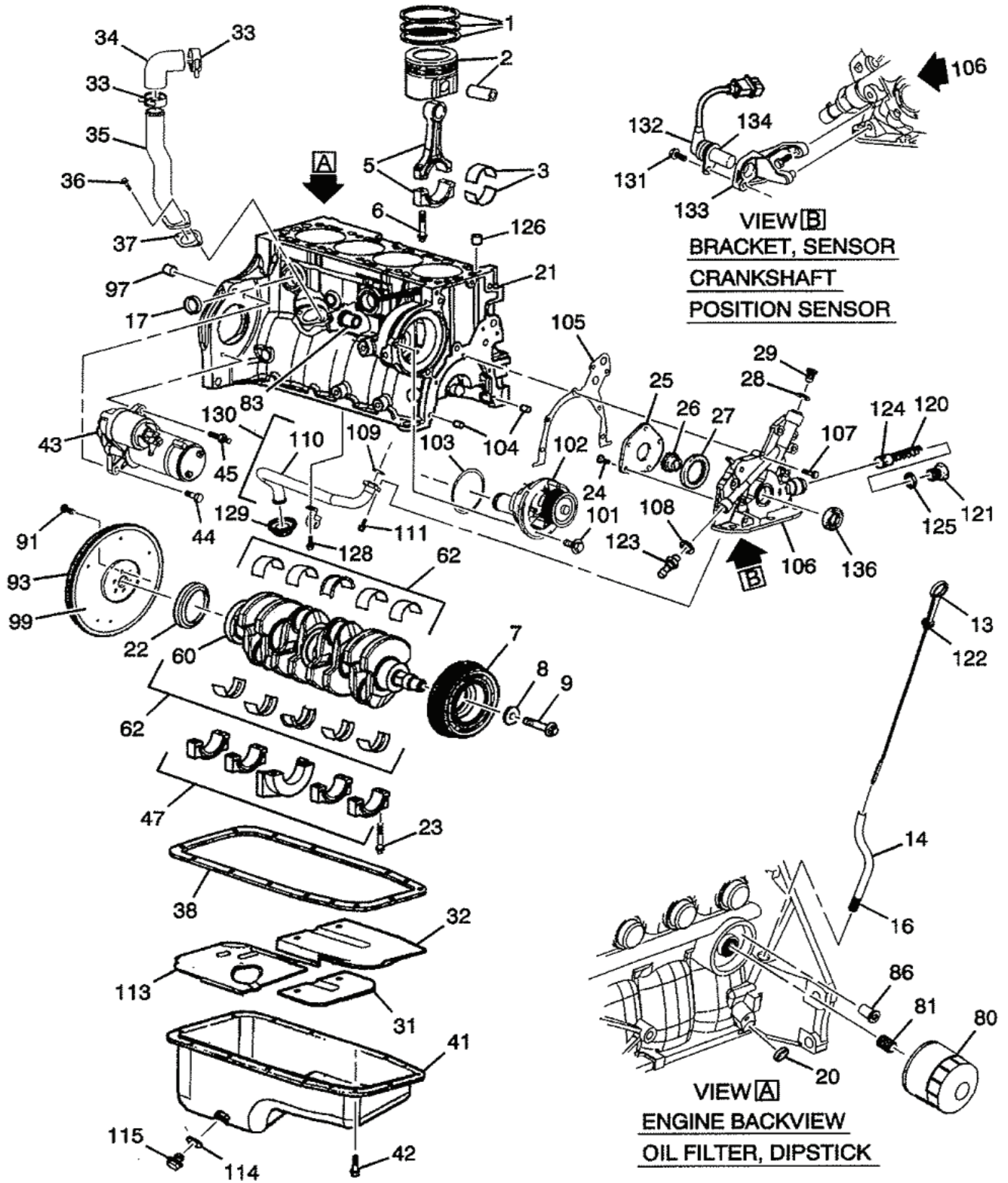
ENGINE GM 1.6L - LPG FUEL SYSTEM T2 (CONTINUED)			
ITEM	PART NO.	REQ'D	DESCRIPTION
25	3339859	1	PLUG-1/8NPT X 3/16 INTERN HEX GM T2
26	3339860	1	FTG-1/4NPT X 1/4-18 CONNECTOR GM T2
27	3339836	1	SENSOR-T MAP GM T2
28	3339861	2	ISOLATOR-EPR GM T2
29	3339862	1	SEAL-QUAD MXR ADPTR 40MM/100 GM T2
30	3339837	1	GASKET-INTAKE MANIFOLD/ADAPTER GM T2
31	3339838	1	ADAPTER-INTAKE/THROTTLE BODY GM T2
32	3339839	1	HOSE-BREATHER GM T2
33	3339840	4	BOLT-M6 X 1.0 X 25, SKT HD BOLT, GR 12.9 V GM T2
34	3339841	1	BOLT-1/4-20 X 3/4 HX HD BOLT GR5 GM T2
35	3339863	1	BOLT-M8 X 1.25 X 15 HX HD BOLT GR 8.8 GM T2
36	3339864	1	NUT-M8 X 1.25 , HX NUT FLANGED GM T2
37	3339865	1	BOLT-3/8-16 X 3/4 HX HD BOLT, GR 5 GM T2
38	3339866	1	WASHER-5/16 FLAT WASHER (HARDENED) GM T2
39	3339842	1	WASHER-1/4 FLAT WASHER (HARDENED) GM T2
40	3339867	1	WASHER-3/8 FLAT WASHER (HARDENED GRL9)BOLT-M6 X 1/0 X 70
41	3339868	4	BOLT-M6 X 1.0 X 70, SKT HD BOLT GM T2
42	3339869	4	BOLT-M5-0.8 X 35 SKT HD BOLT GM T2
43	3339870	1	MIXER-CERTIFIED GM T2

ENGINE GM 1.6L - GASOLINE FUEL SYSTEM T2



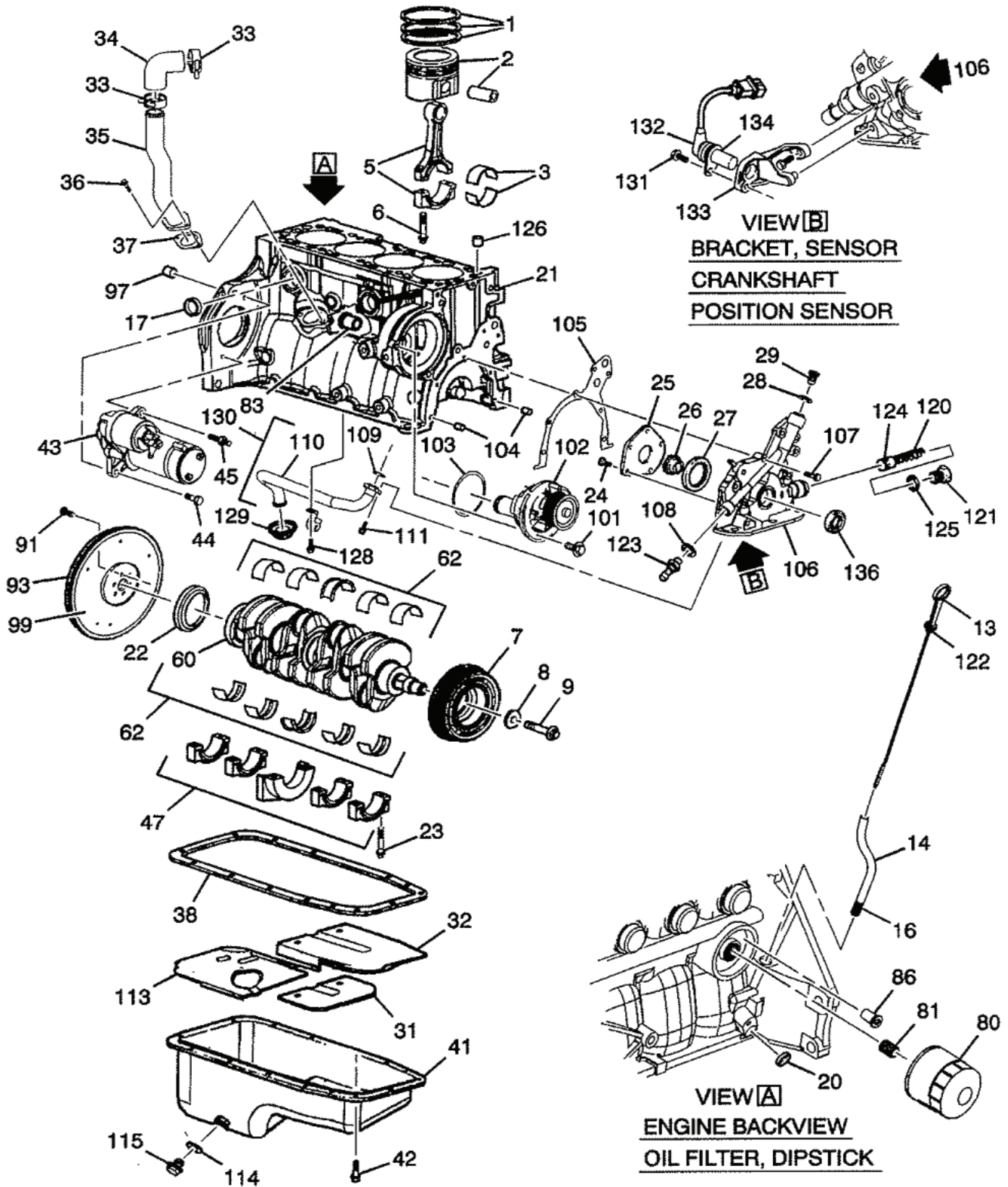
ENGINE GM 1.6L - GASOLINE FUEL SYSTEM T2			
ITEM	PART NO.	REQ'D	DESCRIPTION
1	3339821	1	PLUG-M16 INTAKE MANIFOLD GM T2
2	3339825	1	HOSE-VACUUM 7/32" GM T2
3	3339827	1	CLAMP-WORM DRIVE 1/2" WIDTH HOSE CLAMP (SAE 12) 11/16 TO 1-1/4
4	3339828	2	CLAMP-2.25" GM T2
5	3339830	1	THROTTLE BODY-40MM GM T2
6	3339831	1	KET-4 BOLT, TB GM T2
7	3339834	1	FTG-VAC M16-1.5-6H GM T2
8	3342209	1	FUEL FILTER
9	3343536	1	FUEL PUMP
10	3339835	1	FTG-FITTING & KET FOR FUEL PUMP GM T2
11	3339837	1	MANIFOLD-FUEL TEMP/RETURN GM T2
12	3339839	2	FTG-(-6) STOR 5/16 SAE J2044 GM T2
13	3339840	1	FTG-(-3) STOR 5-16 SAE J2044 GM T2
14	3343629	1	SENSOR O2 @ MANIFOLD
15	3339843	1	RAIL-FUEL GM T2
16	3343630	1	SENSOR O2 POST CAT
17	3339849	2	BOLT-ECIAL FUEL RAIL GM T2
18	3339852	1	SENSOR-T MAP GM T2
19	3339855	1	LABEL-UL RECOGNIZED FOR PART 32501263 GM T2
20	3339856	1	KET-INTAKE MANIFOLD/ADAPTER GM T2
21	3339857	1	ADAPTER-INTAKE/THROTTLE BODY GM T2
22	3339858	1	HOSE-BREATHER GM T2
23	3339859	4	BOLT-M6 X 1.0 X 25, SKT HD BOLT, GR 12.9 V GM T2
24	3339860	1	BOLT-1/4-20 X 3/4 HX HD BOLT GR5 GM T2
25	3339865	4	WASHER-1/4 FLAT WASHER (HARDENED) GM T2
26	3339867	4	SCR-M6 X 1.0 X 45 SKT HD GM T2

ENGINE GM 1.6L - ENGINE COMPONENT BREAKDOWN ILLUSTRATION 1



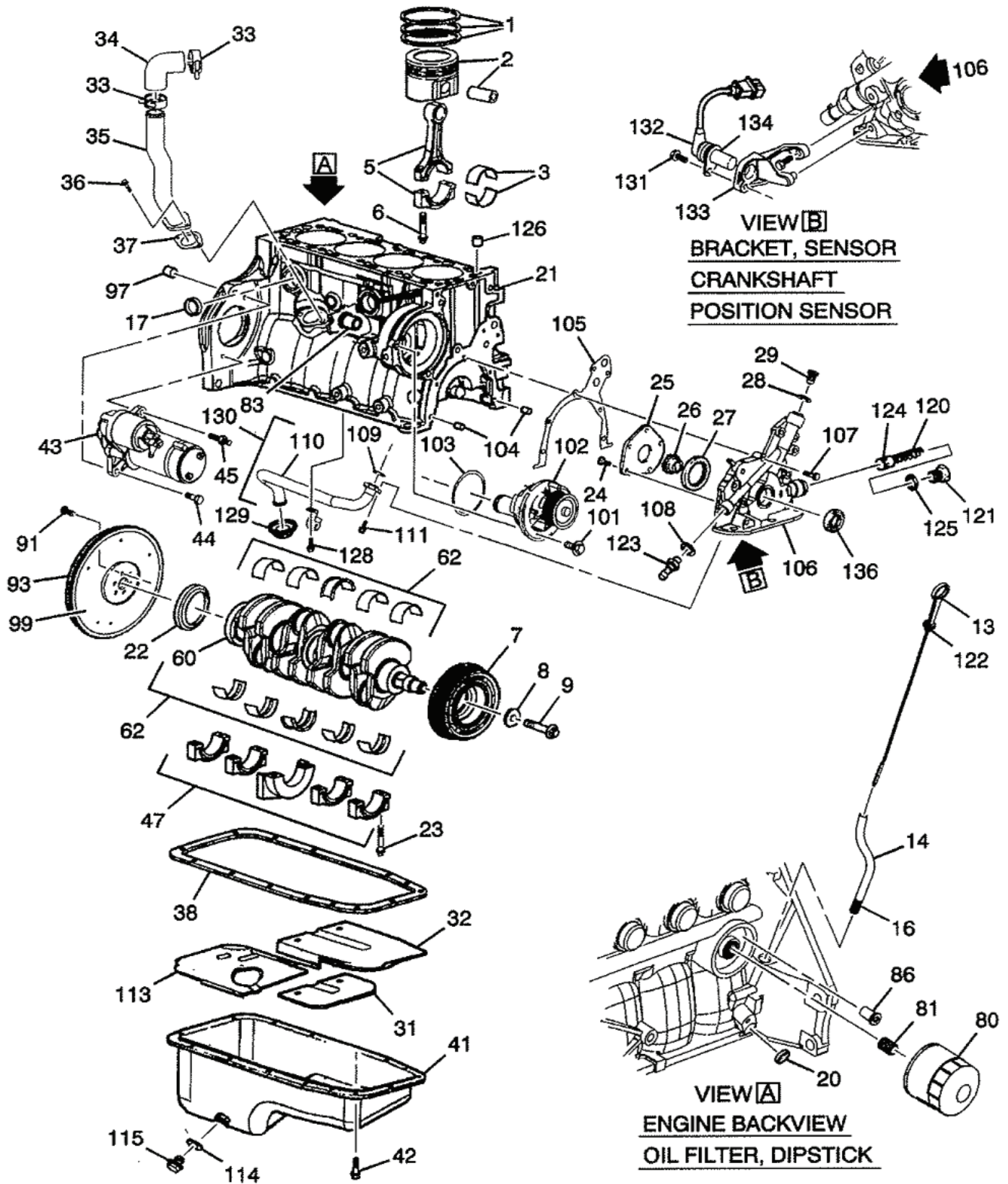
DRIVE MOTOR STEERING CYLINDER AND FORK			
ITEM	PART NO.	REQ'D	DESCRIPTION
1	3338733	4	RING KIT, PISTION (STD)
2	3338734	1	PISTON WFPIN (STD) (INELS 1,5,6)
3	3338735	1	BEARING KIT, CONNECTING ROD (STD)
5	3338736	1	ROD, CONNECTING (ALSO PART OF 2)
6	3338737	8	BOLT, CONNECTING ROD (ALSO PART OF 2)
7	3342317	1	PULLEY, CRANKSHAFT
8	3338738	1	WASHER, CRANKSHAFT PULLEY
9	3338739	1	BOLT, CRANKSHAFT PULLEY
13	3338740	1	DIPSTICK
14	3338741	1	TUBE, DIPSTICK
16	3338742	AR	SEALER, CAMSHAFT BEARING HOLD PLUG
17	3338743	6	PLUG, ENG BLOCK COOL DRAIN HOLE
20	3338744	AR	PLUG, ENG BLOCK CORE HOLE
21	3338745	1	ENGINE, SERVICE
22	3343659	1	SEAL, CRANKSHAFT REAR OIL
23	3338746	10	BOLT, CRANKSHAFT BEARING CAP
24	3338747	5	BOLT, OIL PUMP COVER (ALSO PART OF 106)
25	3338748	1	COVER, OIL PUMP (ALSO PART OF 106)
26	3338749	1	GEAR, OIL PUMP DRIVE (ALSO PART OF 106)
27	3337397	1	GEAR, OIL PUMP DRIVE (ALSO PART OF 106)
28	3342329	1	SEAL, OIL PUMP HOUSING
29	3338750	1	PLUG. OIL PUMP HOUSING
30	3338751	1	BAFFLE, OIL PAN
	3338752	1	BAFFLE, OIL PAN
31	N/A	-	PART OF ITEM 41
32	3338754	1	BAFFLE, OIL PAN (ALSO PART OF 41)
33	3338755	2	CLAMP, PCV HOSE
34	3343669	1	HOSE, PCV
35	3338756	1	TUBE, PCV
36	3338757	2	BOLL, PCV TUBE

ENGINE GM 1.6L - ENGINE COMPONENT BREAKDOWN ILLUSTRATION 1 (CONTINUED)



ENGINE DIESEL KUBOTA V1505 - AIR CLEANER			
ITEM	PART NO.	REQ'D	DESCRIPTION
37	3342331	1	GASKET, PCV TUBE
38	3338758	1	GASKET, OIL PAN
41	3343662	1	PAN, OIL (INCLS 31, 113,114,115)
42	3338759	15	BOLT, OIL PAN
43	3342333	1	STARTER (BOSCH TYPE), BEFORE S/N 1P6L1315
	3336742	1	STARTER (DELCO TYPE), AFTER S/N 1P6L1315
44	3343613	1	BOLT, STARTER
45	3343612	1	STUD, STARTER
60	3338760	1	CRANKSHAFT
62	3338761	4	BEARING KIT, CRANKSHAFT (POSN#1,2,4,5) (.25MM GREEN)
	3338762	4	BEARING KIT, CRANKSHAFT (POSN#3) (STD BROWN)
	3338763	4	BEARING KIT, CRANKSHAFT (POSN#1,2,3,4,5) (STD BRN/BLUE)
	3338764	4	BEARING KIT, CRANKSHAFT (POSN#4) (.50MM GREEN/BLUE)
	3338765	4	BEARING KIT, CRANKSHAFT (POSN#3) (STD GREEN)
	3338766	4	BEARING KIT, CRANKSHAFT (POSN# 1,2,4,5) (STD BROWN)
66	3338767	1	VALVE, OIL FILTER BYPASS
80	3342201	1	FILTER, OIL
81	3343655	1	FITTING, OIL FITTER
82	3338768	1	SPROCKET, WATER PUMP
91	3338769	6	BOLT, FLYWHEEL
97	3338770	2	PIN, TRANS LOCK
99	3338771	1	FLYWHEEL
101	3338772	3	BOLT, WATER PUMP COVER
102	3343668	1	PUMP KIT, WATER
103	3338773	1	SEAL, WATER PUMP COVER
104	3338774	2	PIN, OIL PUMP HOUSING LOCK
105	3337396	1	GASKET, OIL PUMP
106	3338775	1	PUMP, OIL (INCLS: 24,25,26,27,121,125)
107	3338776	6	BOLL. OIL PUMP
108	3338777	1	SEAL, OIL PAN DRAIN PLUG
109	3338778	1	SEAL, OIL PUMP SUE PIPE

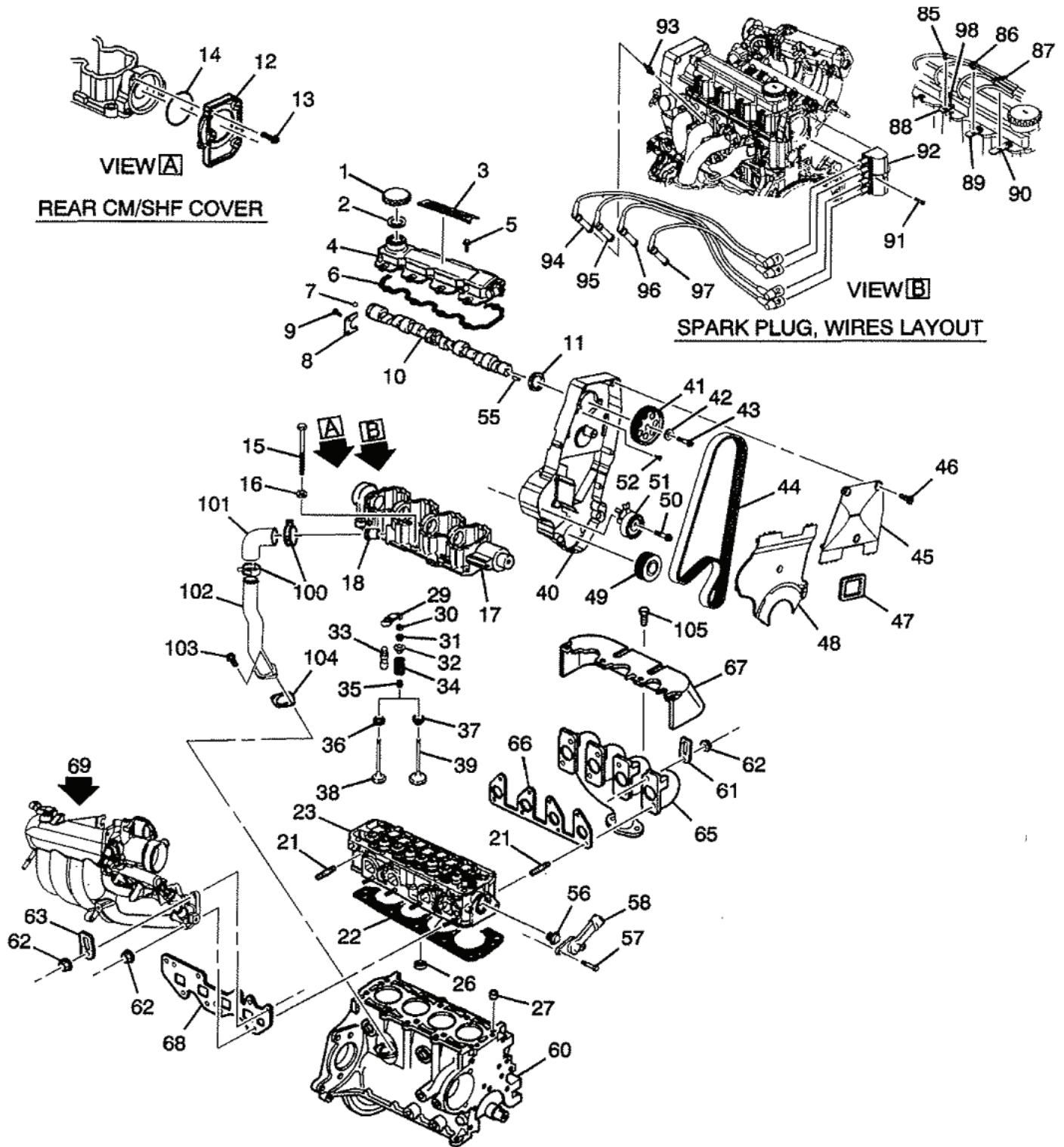
ENGINE GM 1.6L - ENGINE COMPONENT BREAKDOWN ILLUSTRATION 1 (CONTINUED)



ENGINE GM 1.6L - ENGINE COMPONENT BREAKDOWN ILLUSTRATION 1 (CONTINUED)

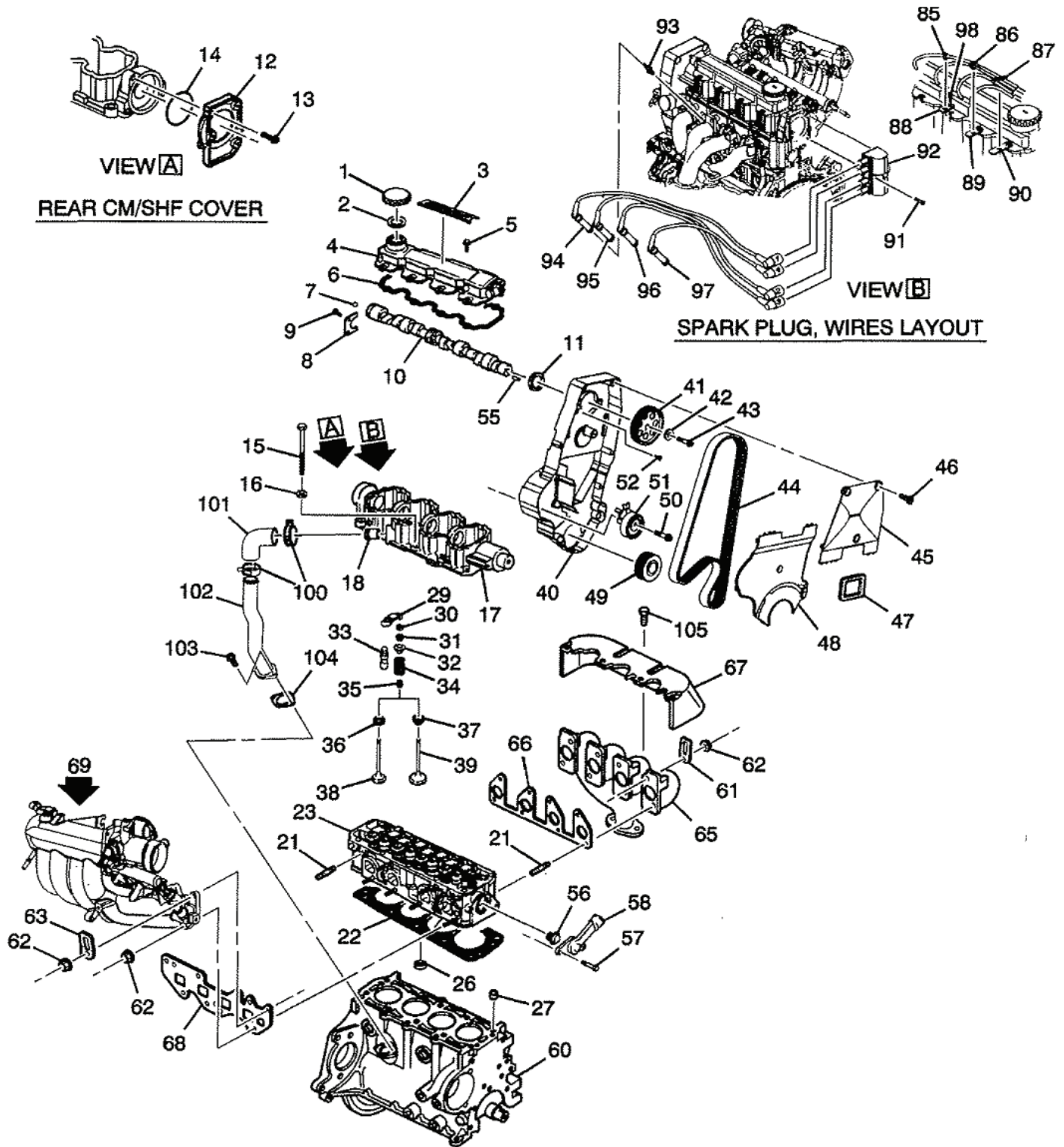
ITEM	PART NO.	REQ'D	DESCRIPTION
110	3338779	1	PIPE, OIL PUMP SUE (PART OF 130)
111	3338780	2	BOLL, OIL PUMP SCREEN
112	3338781	1	BOLT, OIL PUMP SCREEN BRACKET
113	3338782	1	BAFFLE, OIL PAN
	3338783	1	BAFFLE, OIL PAN
114	3338784	1	SEAL, OIL PAN DRAIN PLUG (ALSO PART OF 41)
115	3343651	1	PLUG, OIL PAN DRAIN (ALSO PART OF 41)
120	3338785	1	SPRING. OIL PRESSURE RELIEF VALVE (ALSO PART OF 106)
121	3338786	1	PLUG, OIL PRESSURE RELIEF VALVE BORE (PART OF 106)
122	3338787	1	SEAL, OIL FILLER CAP (PART OF 13)
123	3343661	1	SWITCH, ENG OIL PRESSURE INDICATOR
124	3338788	1	VALVE, OIL PRESSURE RELIEF
125	3338789	1	GASKET, OIL PRESSURE RELIEF VALVE BORE PLUG (PART OF 106)
126	3338790	2	PIN, CAMSHAFT HOUSING LOCK
128	3338791	1	BRACKET, OIL PUMP SCREEN
129	N/A		PART OF ITEM 130
130	3338793	1	SCREEN, OIL PUMP (INCLS: 110,129)
131	3338794	1	BOLT. CRANKSHAFT POSN SENSOR BRACKET
132	3342351	1	SENSOR, CRANKSHAFT POSN
133	3338795	1	BRACKET, CRANKSHAFT POSN SENSOR LEAD CLIP
134	3338796	3	BOLT, CRANKSHAFT POSN SENSOR
136	3337398	1	SEAL, OIL PUMP

ENGINE GM 1.6L - ENGINE COMPONENT BREAKDOWN ILLUSTRATION 2



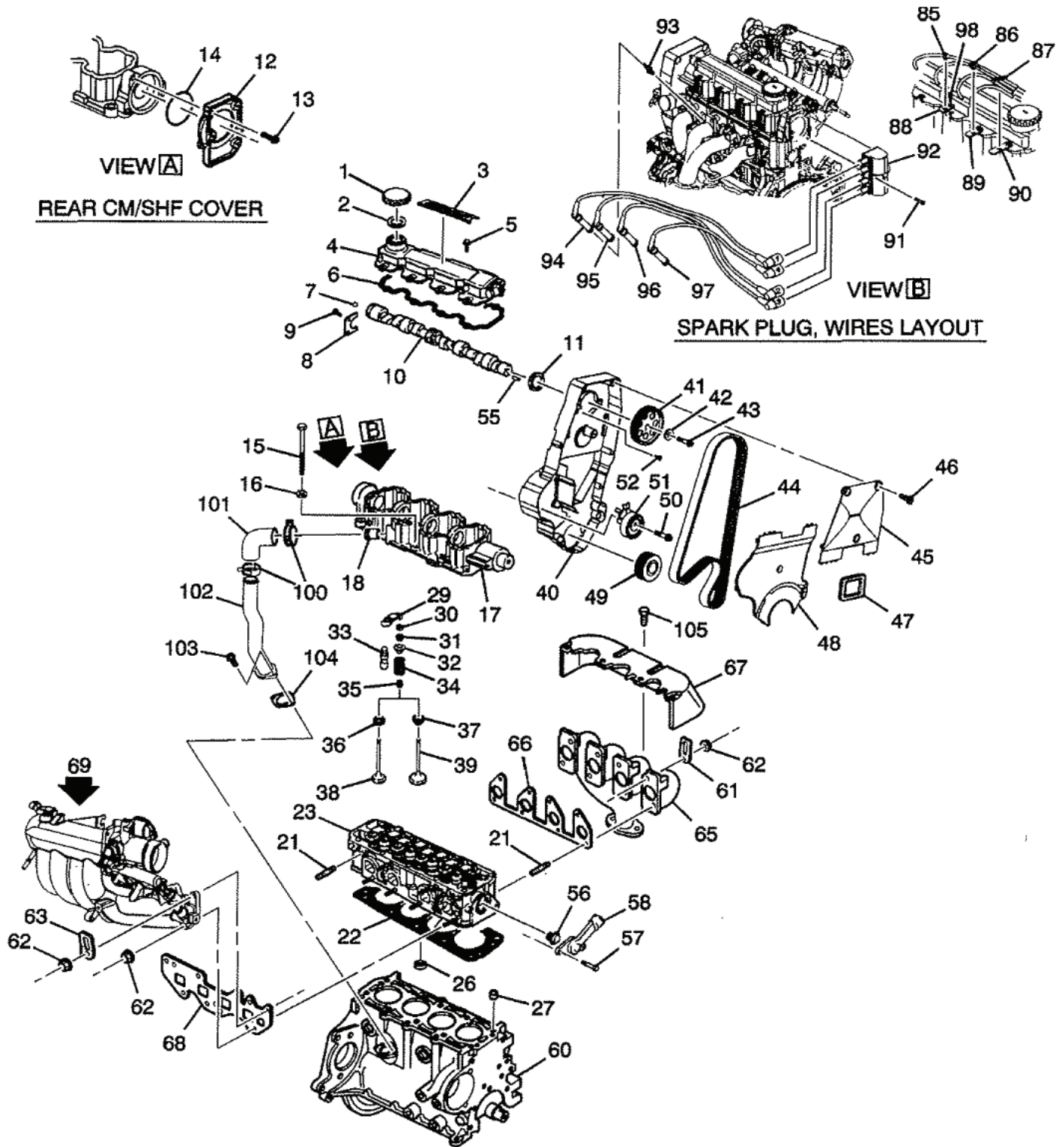
HOPPER FILTER, SHAKER			
ITEM	PART NO.	REQ'D	DESCRIPTION
1	3342352	1	CAP, OIL FILLER (INCLUDES ITEM 2 SEAL)
2	3338688	1	SEAL, OIL FILLER CAP
3			PART OF ITEM 4
4	3342354	1	COVER, CAMSHAFT HOUSING
5	3338689	8	BOLT, OIL
6	3342356	1	GASKET, CAMSHAFT HOUSING COVER
7	3338690	2	BALL. CAMSHAFT OIL RSTR (ALSO PART OF 10)
8	3338691	1	RETAINER, CAMSHAFT
9	3342363	2	BOLT, CAMSHAFT RET.
10	3338692	1	CAMSHAFT (INCLS: 7,55)
11	3342361	1	SEAL, CAMSHAFT
12	3338693	1	COVER, CAMSHAFT HOUSING
13	3338694	3	BOLT, CAMSHAFT REAR COVER
14	3342364	1	SEAL, CAMSHAFT HOUSING COVER BOLT
15	3343658	10	BOLT, CYLINDER HEAD
16	3338695	1	WASHER, CAMSHAFT SPROCKET
17	3338696	1	HOUSING, CAMSHAFT
18	3338697	1	TUBE.PCV
21	3342368	5	STUD, INTAKE MANIFOLD
22	3342365	1	GASKET KIT. CYLINDER HEAD
23	3343660	1	HEAD. CYLINDER
26	3343664	4	SEAT, EXHAUST VALVE
	3343665	4	SEAT, EXHAUST VALVE (0.2MM OS)
	3343666	4	SEAT. EXHAUST VALVE (0.4MM OS)
	3343667	4	SEAT, EXHAUST VALVE
27	3338698	2	PIN, CAMSHAFT HOUSING LOCK
29	3342371	ARM,	VALVE ROCKER
30	3338699	8	SEAT, VALVE ROCKER ARM VALVE
	3338700	8	SEAT, VALVE ROCKER ARM VALVE (CUP SHAPE 19X29X7)
31	3343663	16	KEY, VALVE STEM
32	3342374	4	CAP, VALVE SPRING
33	3338701	8	ADJUSTERM, HYDRAULIC VALVE LASH
34	3338702	8	SPRING, VALVE (INTAKE AND EXHAUST)
35	3343670	8	SEAL, VALVE STEM OIL
36	3338703	4	ROTATOR, VALVE

ENGINE GM 1.6L - ENGINE COMPONENT BREAKDOWN ILLUSTRATION 2 (CONTINUED)



FUEL TANK - DIESEL			
ITEM	PART NO.	REQ'D	DESCRIPTION
37	3338704	8	SEAT, VALVE ROCKER ARM VALVE
	3338705	8	SEAT. VALVE ROCKER ARM VALVE (CUP SHAPE 19X29X7)
38	3342379	4	VALVE, EXHAUST
39	3342380	1	VALVE, INTAKE
40	3343656	1	COVER, TIMING BELT FRONT
41	3342382	1	SPROCKET, CAMSHAFT
42	3338706	1	WASHER, CAMSHAFT SPROCKET
43	3338707	1	BOLL, CAMSHAFT SPROCKET
44	3342385	1	BELT, TIMING (111 TEETH)
45	3342389	1	COVER, TIMING BELT FRONT
46	3338708	6	BOLT, ENG FRONT COVER
48	3342386	1	COVER, TIMING BELT FRONT
49	3343650	1	SPROCKET, CRANKSHAFT
50	3338709	1	BOLL, CAMSHAFT SPROCKET
51	3338710	1	TENSIONER, TIMING BELT
52	3338711	4	BOLT, TIMING BELT REAR COVER
55	3338712	2	PIN, CAMSHAFT HOUSING LOCK
56	3338713	1	THERMOSTAT {INCLS: 58}
57	3338714	2	BOLT, GENERATOR FRONT BRACKET
58	N/A	-	PART OF ITEM 56
60	3338716	1	ENGINE
62	3338717	8	NUT, INTAKE MANIFOLD
65	3343657	1	MANIFOLD, EXHAUST
66	3343652	1	GASKET, EXHAUST MANIFOLD
67	3343864	1	SHEILD, EXHAUST MANIFOLD
68	3343654	1	GASKET, INTAKET MANIFOLD
69	3343645	1	INTAKE MANIFOLD
85	3338720	1	RETAINER, SPARK PLUG WIRE HARNESS
86	3338721	1	RETAINER, SPARK PLUG WIRE HARNESS
87	3338722	1	RETAINER, SPARK PLUG WIRE HARNESS
88	3338723	1	BRACKET, SPARK PLUG WIRE RET
89	3338724	1	BRACKET, SPARK PLUG WIRE RET
90	3338725	1	BRACKET, SPARK PLUG WIRE RET

ENGINE GM 1.6L - ENGINE COMPONENT BREAKDOWN ILLUSTRATION 2 (CONTINUED)



ENGINE GM 1.6L - ENGINE COMPONENT BREAKDOWN ILLUSTRATION 2 (CONTINUED)			
ITEM	PART NO.	REQ'D	DESCRIPTION
91	3338726	3	BOLT, IGNITION COIL BRACKET
92	3342408	1	COIL, IGNITION
93	3342409	4	SPARK PLUG
94	3342410	1	WIRE, SPARK PLUG CYLINDER #1 (435MM)
95	3342411	1	WIRE, SPARK PLUG CYLINDER #2 (365MM)
96	3342412	1	WIRE, SPARK PLUG CYLINDER #3 (275MM)
97	3342413	1	WIRE, SPARK PLUG CYLINDER #4 (185MM)
98	3338727	3	BOLT, IGNITION COIL BRACKET
100	3338728	2	CLAMP, PEV HOSE
101	3338729	1	HOSE, PEV
102	3338730	1	TUBE, PCV
103	3338731	2	BOLT, PEV TUBE
104	3338732	1	GASKET, PEV TUBE