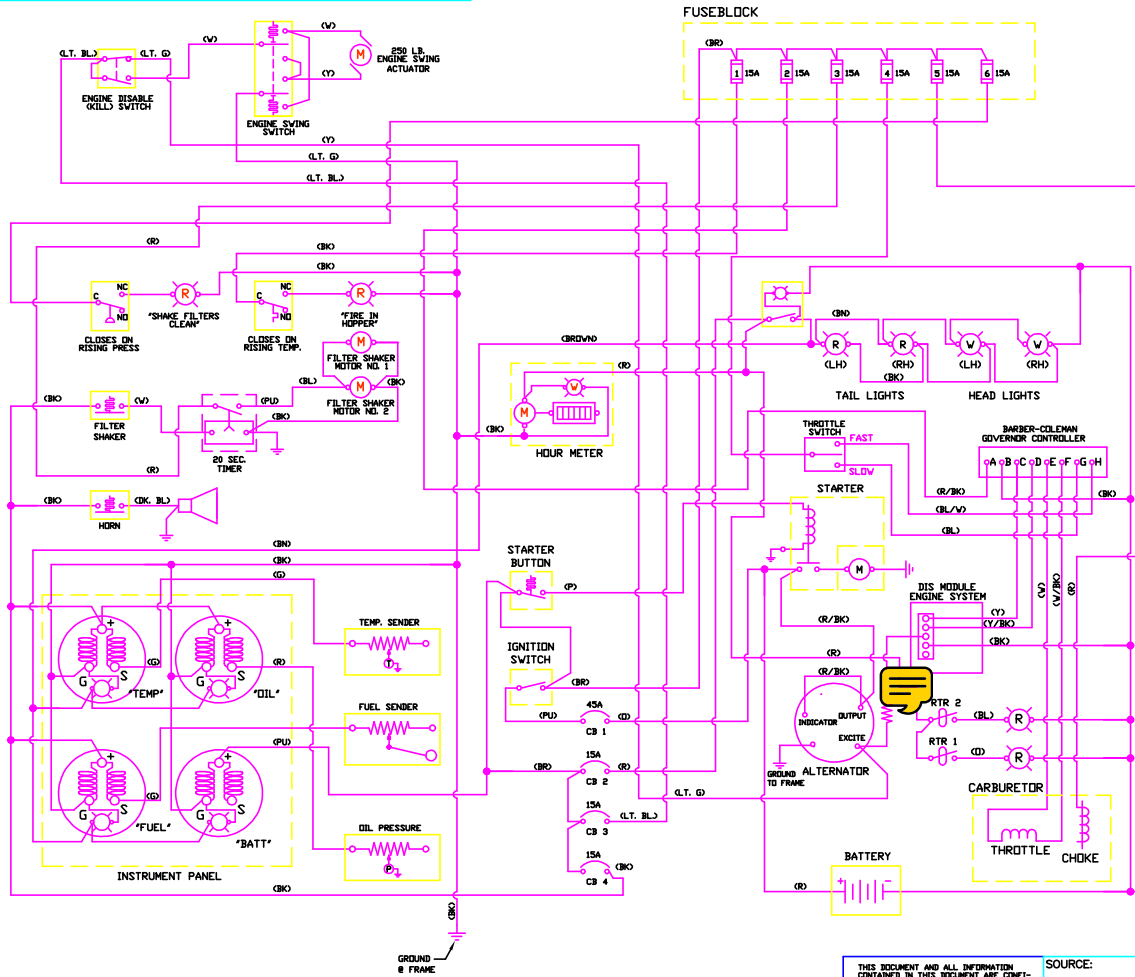


REV ECH #	DATE	DESCRIPTION OF CHANGE-IS (WAS)	BY:
6123	08/05/97	RELEASED FOR PRODUCTION	TA



NOTES:

1. NOMENCLATURE FOR WIRE COLORS:
Y = YELLOW
R = RED
W = WHITE
BL = BLUE
BK = BLACK
BN = BROWN
G = GREEN
GR = GREY
O = ORANGE
PU = PURPLE
T = TAN
Y/W = YELLOW WITH WHITE STRIPE (TYPICAL NOMENCLATURE FOR STRIPED WIRES)
2. ACTUAL COMPONENT TEXT INSIDE THIS BOX IS TYPICALLY STAMPED ON COMPONENT.
3. GROUPING OF RELATED COMPONENTS.
5. ALL SWITCHES SHOWN IN OFF POSITION.

308230 A

THIS DOCUMENT AND ALL INFORMATION CONTAINED IN THIS DOCUMENT ARE CONFIDENTIAL AND PROPRIETARY TO AAR POWERBOSS, INC. ("AAR"). UNAUTHORIZED REPRODUCTION OR USE THEREOF IS PROHIBITED. THIS DOCUMENT OR ANY PART HEREOF OR ANY INFORMATION CONTAINED HEREIN, MAY NOT BE REPRODUCED, REPRODUCED, OR DISCLOSED TO ANY PERSON FOR ANY PURPOSE EXCEPT AS SPECIFICALLY AUTHORIZED IN WRITING BY AAR. BY ACCEPTING THIS DOCUMENT, RECIPIENT AGREES TO COMPLY WITH THE FOREGOING AND TO RETURN THIS DOCUMENT TO AAR IMMEDIATELY UPON REQUEST. UNPUBLISHED—ALL RIGHTS RESERVED UNDER COPYRIGHT LAWS.		SOURCE: P/N: MATL: FINISH: UN-SPECIFIED TOLERANCES: .XX .03 .XXX .010 ANGLAR: X 1° X .5°	
DES. ENG. F.L. ENG. REL:		AAR PowerBoss Aberdeen, North Carolina 28315 PHONE (910) 944-2105 FAX (910) 944-7409 CAD BY: T. R. ALLISON DATE: 08/05/97 DESCRIPTION SCHEMATIC DIAGRAM FOR 9XV GAS (FORD) PART NO. 308230 REV A SHT NO. 1 OF 1	