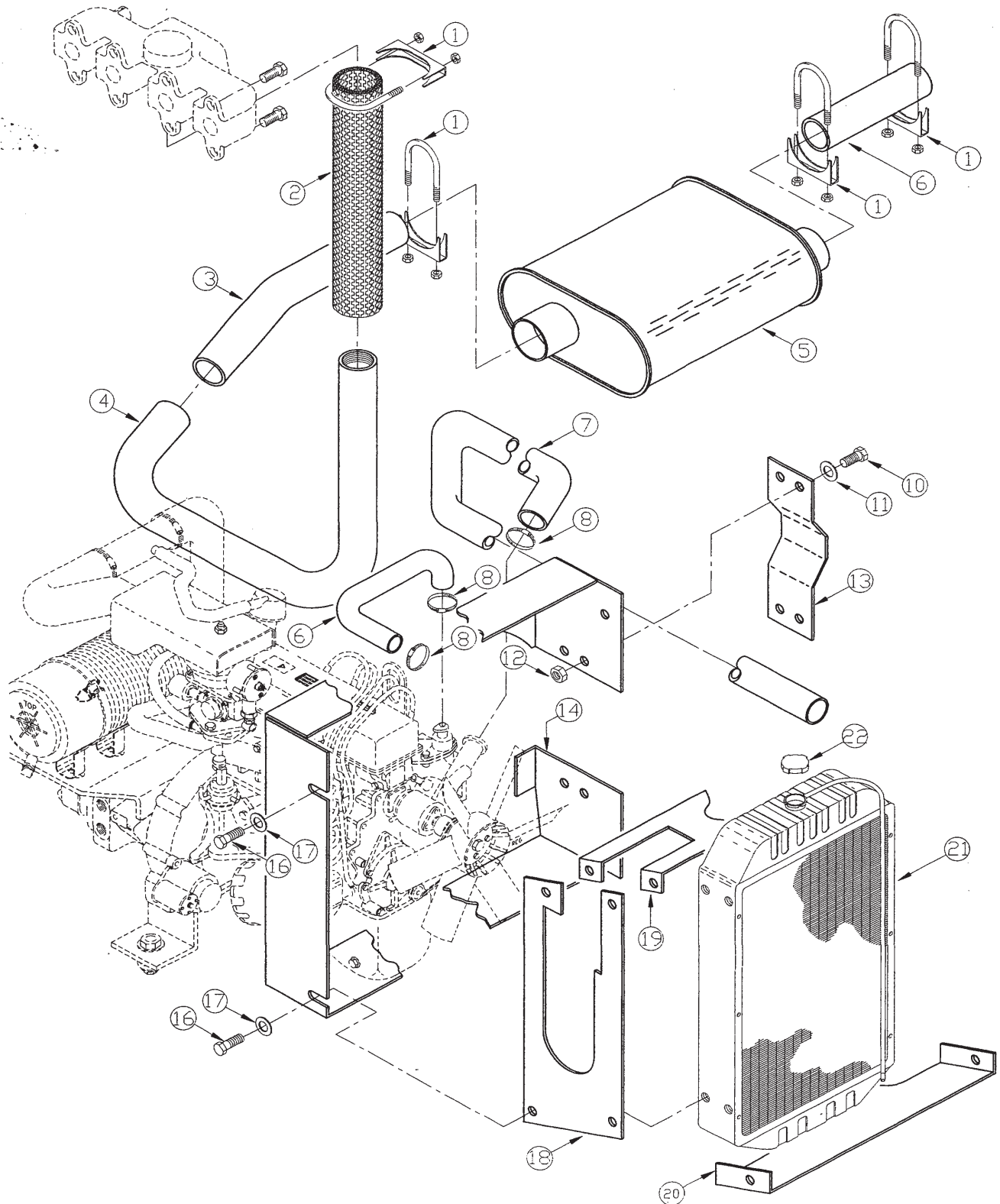


ENGINE - FORD (CONT.)



010PL03A

## ENGINE - FORD (CONT.)

REF#	PART#	DESCRIPTION	QUANTITY
1	303118	CLAMP - EXHAUST 1 5/8"	
2	317611	SLEEVE - MANIF FORD 1.3 DIS (82 MODELS)	
2	317614	SLEEVE - MANIF FORD 1.3 FS (90 MODELS)	
3	317621	TUBE - EXHAUST INTERMED FORD 1.3 (90 MODELS)	
3	317673	TUBE - EXHAUST INTERMED FORD 1.3 (82 MODELS)	
4	316165	TUBE - EXHAUST MANIFLD FORD ARMA	
5	302914	MUFFLER - SPARK ARRESTOR SC KIT (90 MODELS)	
5	303921	MUFFLER - 78 & 75 SERIES (82 MODELS)	
6	316791	TUBE - EXH TAIL PIPE TSS/82 E/SC	
7	317672	HOSE - RADIATOR LOWER 1.3L FORD	
8	044112	CLAMP - HOSE 2.50 MAX WORM	
9	317658	HOSE - RADIATOR UPPER FORD	
10	400043	SCR - HEX 1/4 - 20 X 0.50 ZP	
11	400383	WASHER - CONICAL SPRING 1/4	
12	400063	NUT - FLANGE LOCK 1/4 - 20 ZP	
13	316173	STRAP - SHROUD RAD FORD ARMA	
14	317667	WELDMENT - SHROUD RAD FORD 1.3L	
16	400207	SCR - HEX, 5/16 - 18 X 0.50 ZP	
17	400384	WASHER - CONICAL SPRING 5/16	
18	305394	BAFFLE - RAD - 4-C FRT HD TYA PNTD	
19	305392	BAFFLE - RAD - 4-C TOP HD TYA PNTD	
20	305390	BAFFLE - RAD - 4-C BTM TYA PNTD	
	305395	BAFFLE - RAD - 4-C REAR TYA PNTD (NOT SHOWN)	
21	301995	RADIATOR - HEAVY DUTY	
22	300420	CAP - RADIATOR	
	316798	BLANKET - MUFFLER 82 E/SC (NOT SHOWN)	