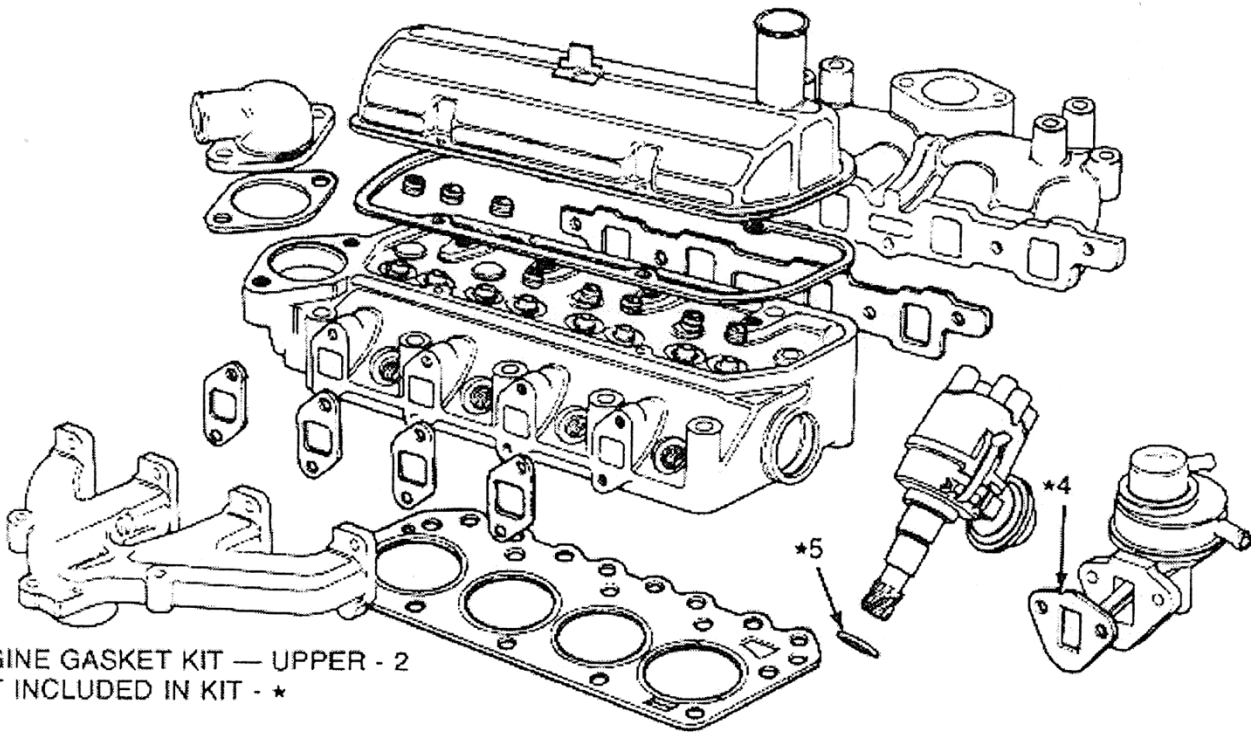
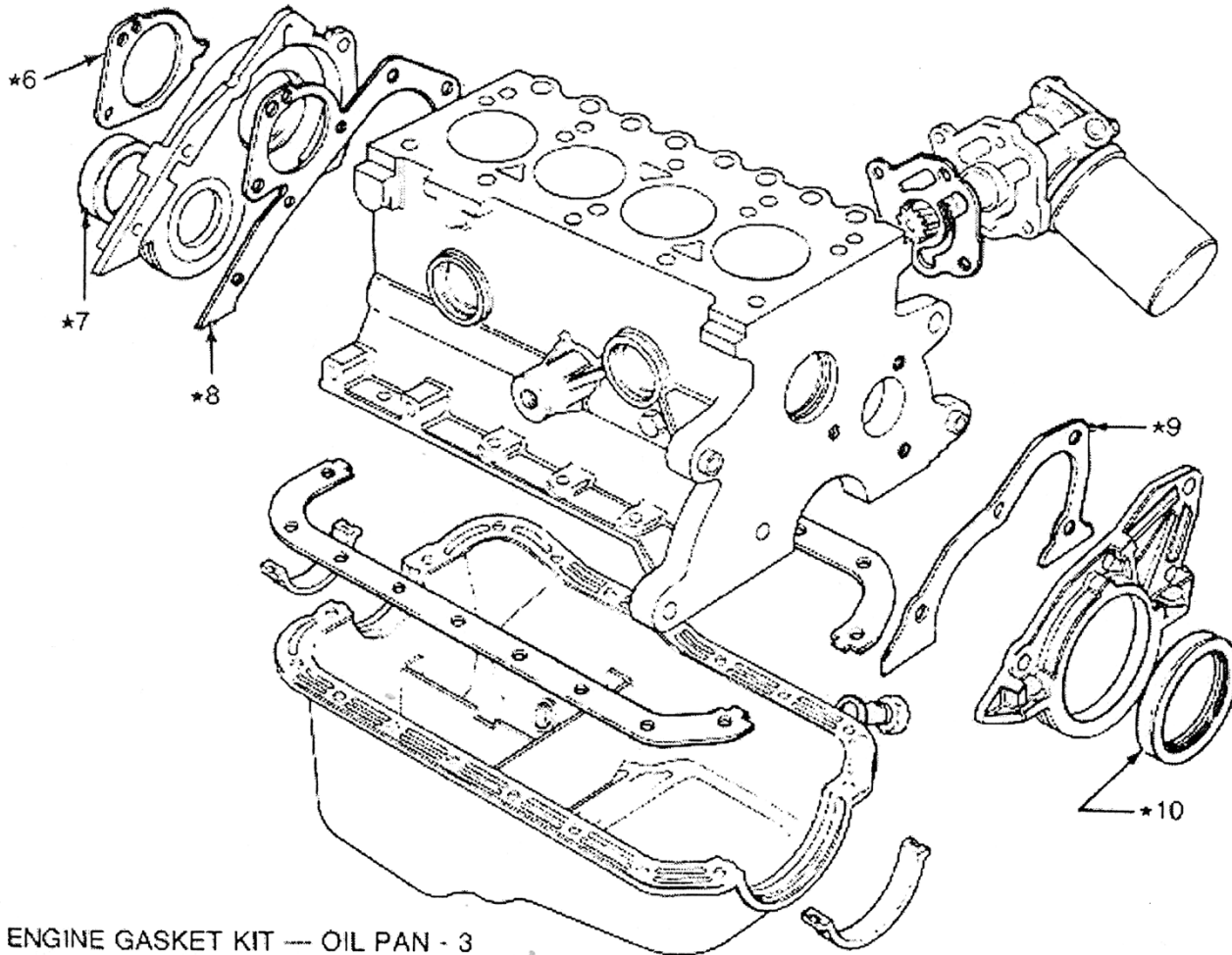


Minuteman[®]
PowerBoss[®]

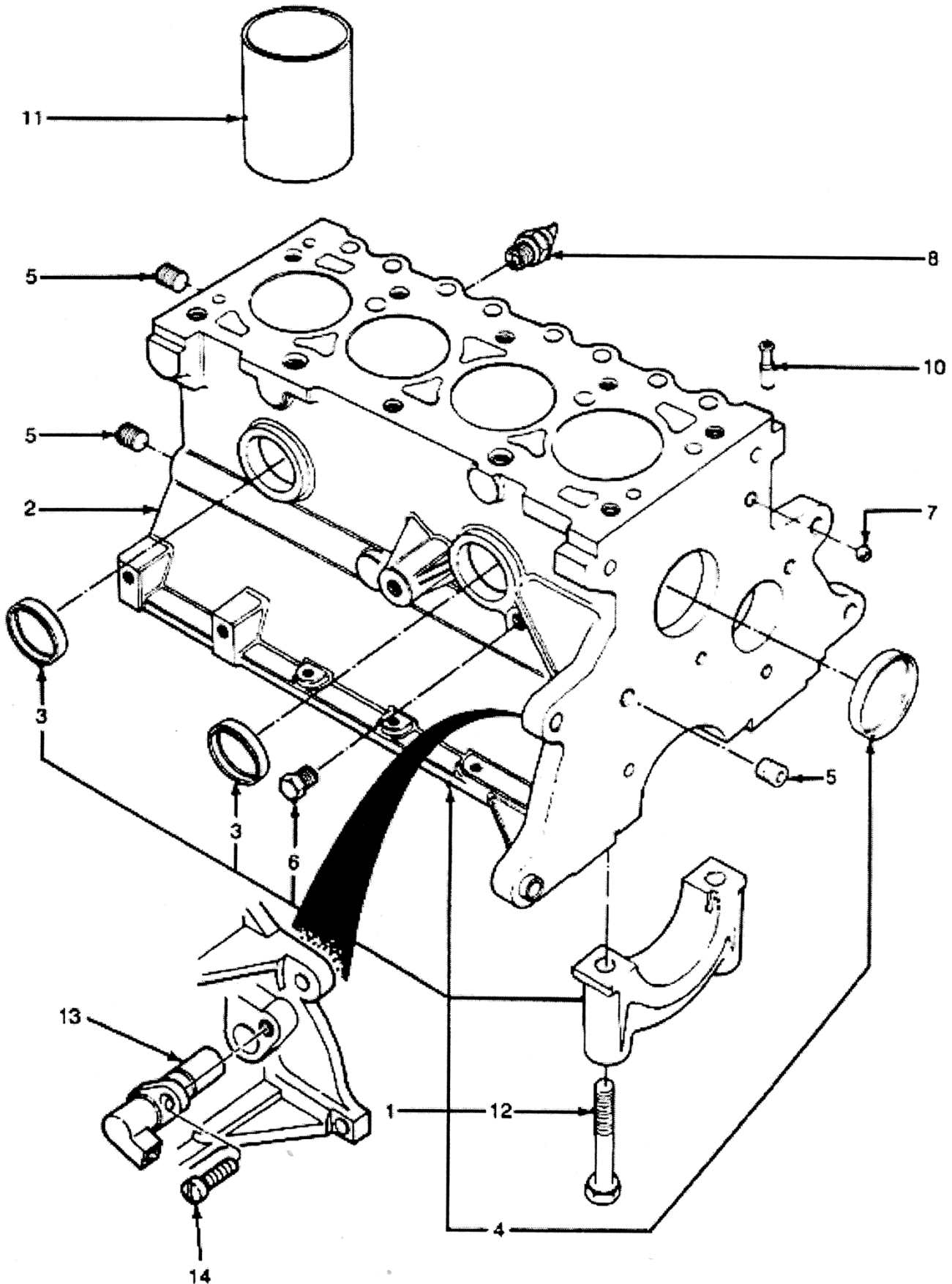
Ford[®] 1.3 L Engine
Service Parts
Manual



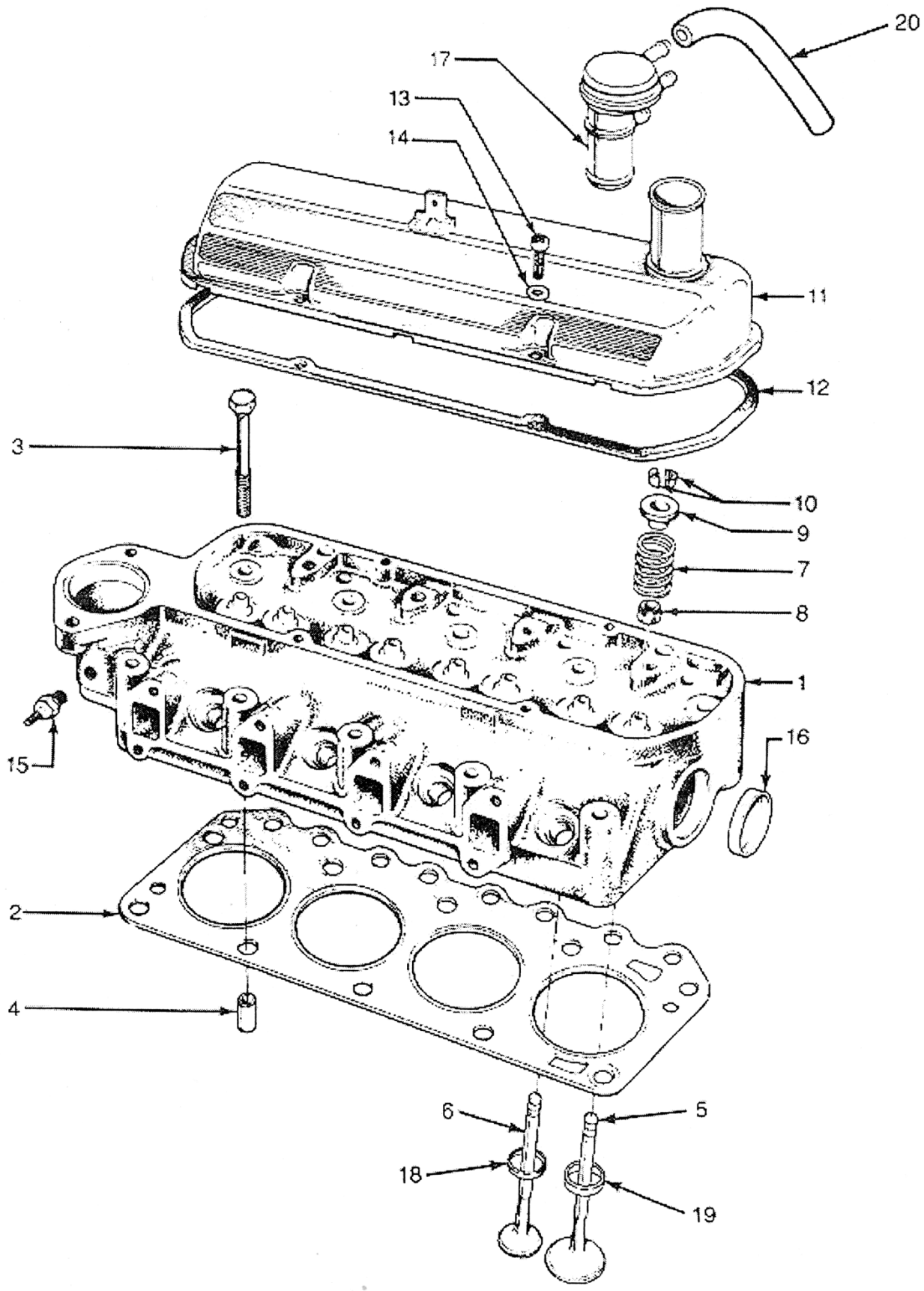
ENGINE GASKET KIT — UPPER - 2
NOT INCLUDED IN KIT - *



ENGINE GASKET KIT — OIL PAN - 3
NOT INCLUDED IN KIT - *

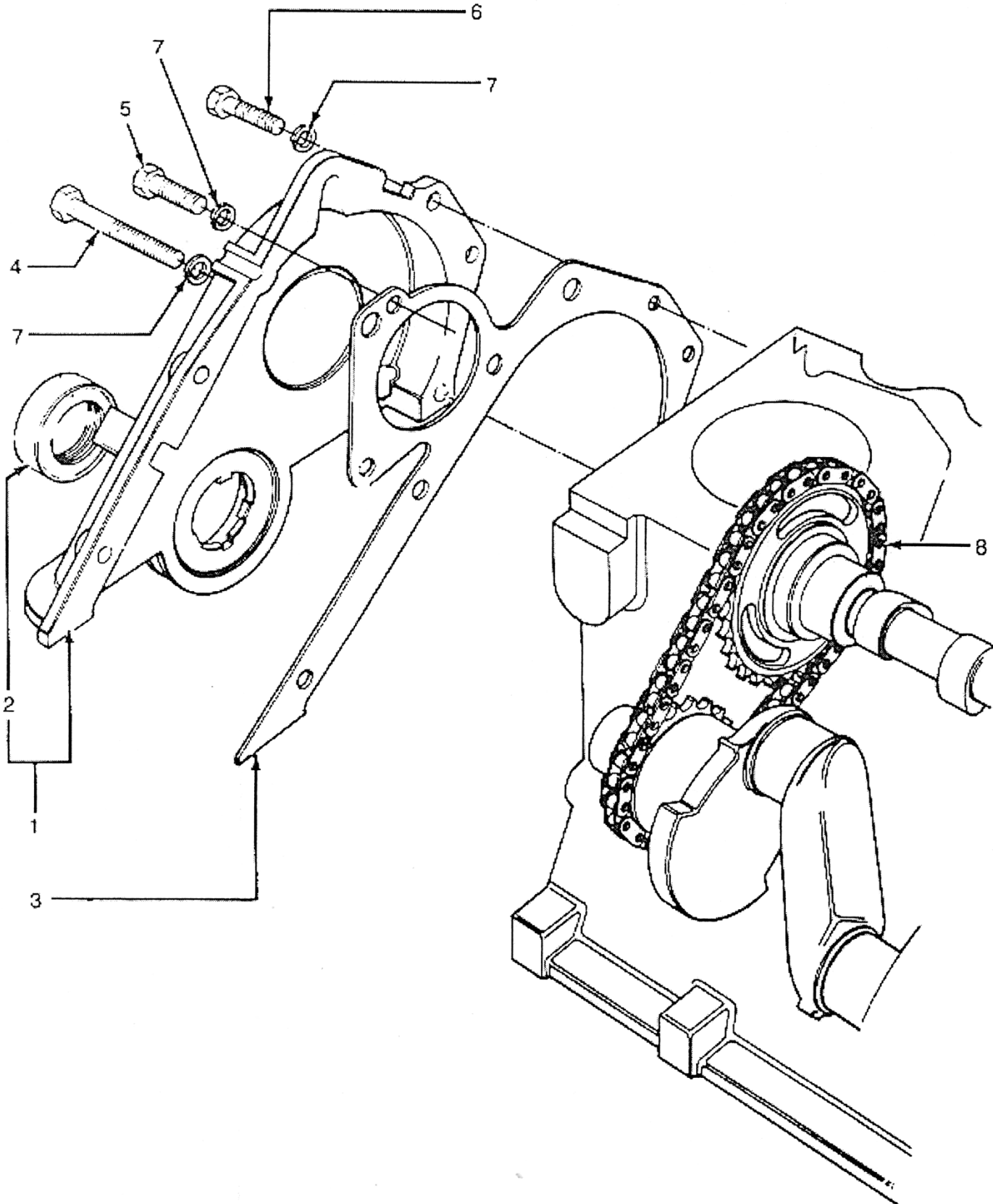


FS02

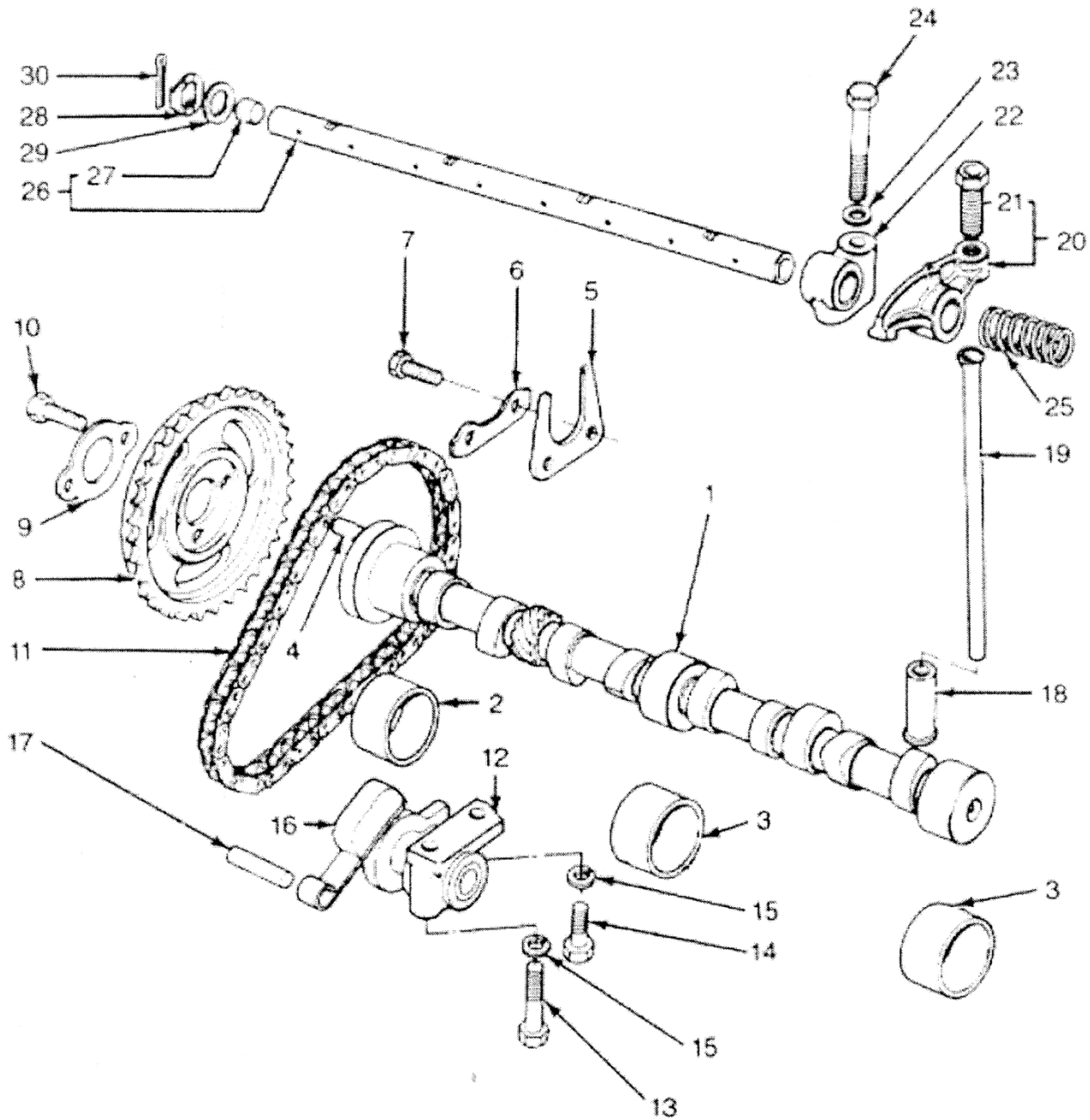


FS03

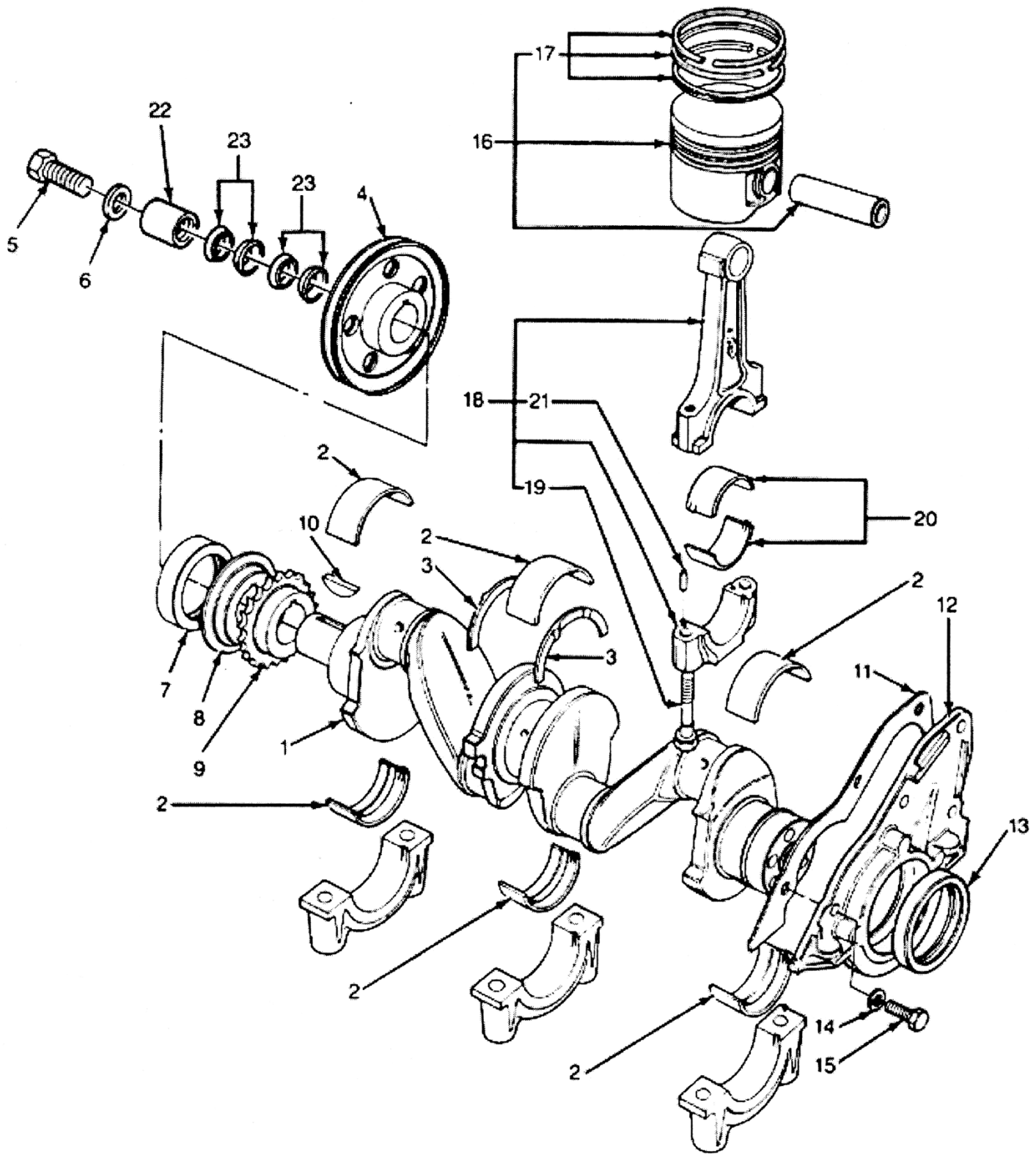
NOTE: Ford[®] VSG 411-413 engines only.



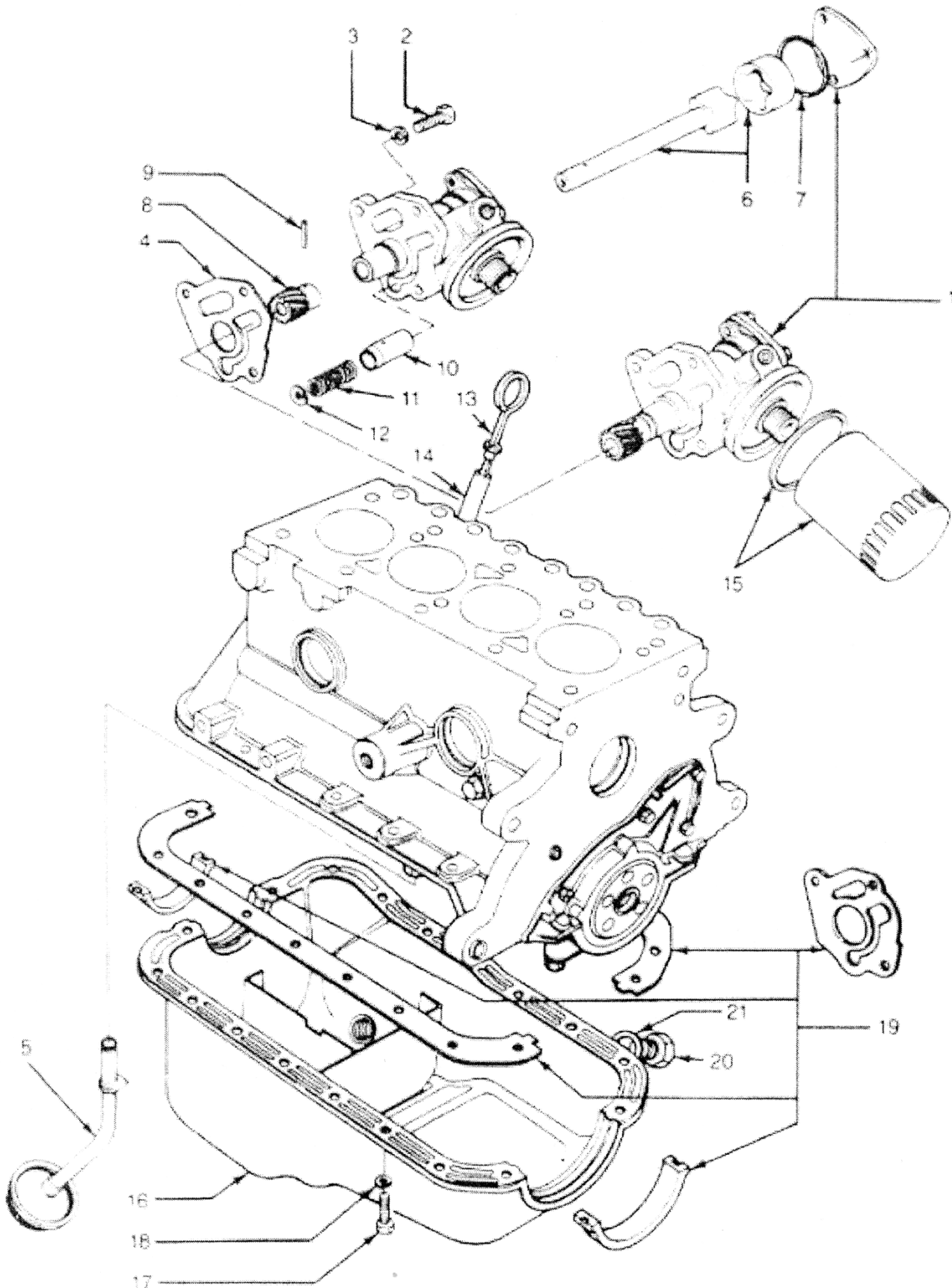
FS04



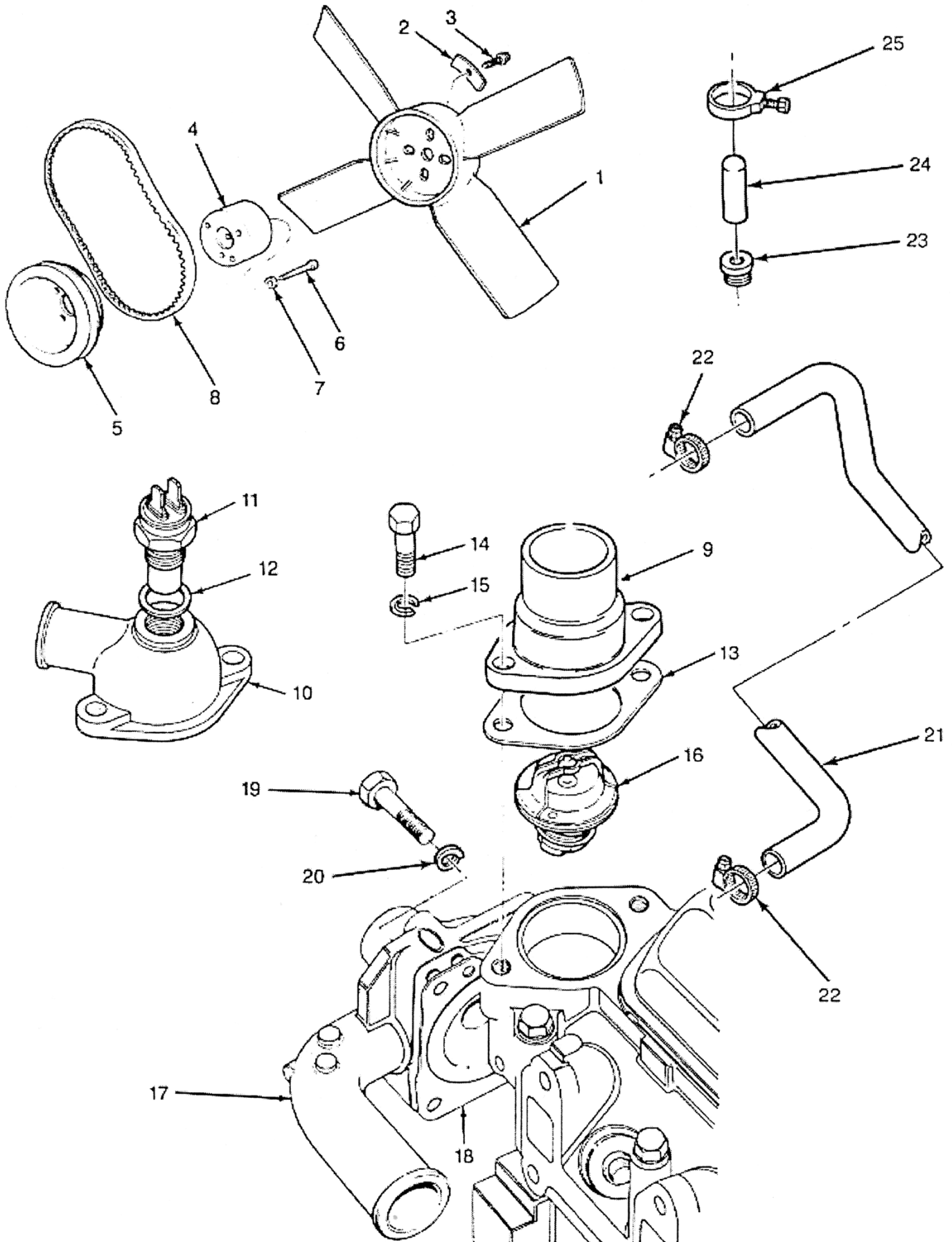
REF #	PART #	DESCRIPTION	QTY
1	3340050	CAMSHAFT FORD [®] 1.3L	1
2	3340051	BRNG FRT STD FORD [®] 1.3L	1
3	3340053	BRG CENT & RR STD FORD [®] 1.3L	2
4	3340055	DOWEL FORD [®] 1.3L	1
5	3340056	PLATE THRUST FORD [®] 1.3L	1
6	3340031	RETAINER FORD [®] 1.3L	1
7	3340058	BOLT M6 X 16 FORD [®] 1.3L	2
8	3340059	SPROCKET CAMSHAFT FORD [®] 1.3L	1
9	3340057	RETAINER CAMSHAFT FORD [®] 1.3L	1
10	3340016	ADAPTER FORD [®] 1.3L	2
11	3340049	CHAIN ASSY TIMING FORD [®] 1.3L	1
12	3340062	TENSIONER FORD [®] 1.3L	1
13	3340063	BOLT M6 X 55 TEN TO BLK	1
14	3340064	BOLT M6 X 16 TEN TO BLK	1
15	3340065	WASHER 1/4 LOCK FORD [®] 1.3L	2
16	3340066	ARM TENSIONER FORD [®] 1.3L	1
17	3340067	PIN TENSIONER FORD [®] 1.3L	1
18	3340068	TAPPET STD FORD [®] 1.3L	8
19	3340069	ROD VLV PUSH FORD [®] 1.3L	8
20	3340070	ARM VLV RT FORD [®] 1.3L	4
20	3340071	ARM VLV LT FORD [®] 1.3L	4
21	3340072	SCR VLV ARM FORD [®] 1.3L	8
22	3340073	SUPPORT ARM SHAFT FORD [®] 1.3L	4
23	3340074	WASHER B10 X 20 X 2.5 FORD [®] 1.3L	4
24	3340075	BOLT ROCK SUPPORT FORD [®] 1.3L	4
25	3340076	SPRING LOCATING FORD [®] 1.3L	3
26	3340077	SHAFT ASSY	1
27	3340078	PLUG SHAFT END FORD [®] 1.3L	2
28	3340079	WASHER SPRING FORD [®] 1.3L	2
29	3340080	WASHER FLAT TYPE FORD [®] 1.3L	2
30	3340081	PIN COTTER 3/32 X 7/8 FORD [®] 1.3L	2
		END OF THIS SECTION	



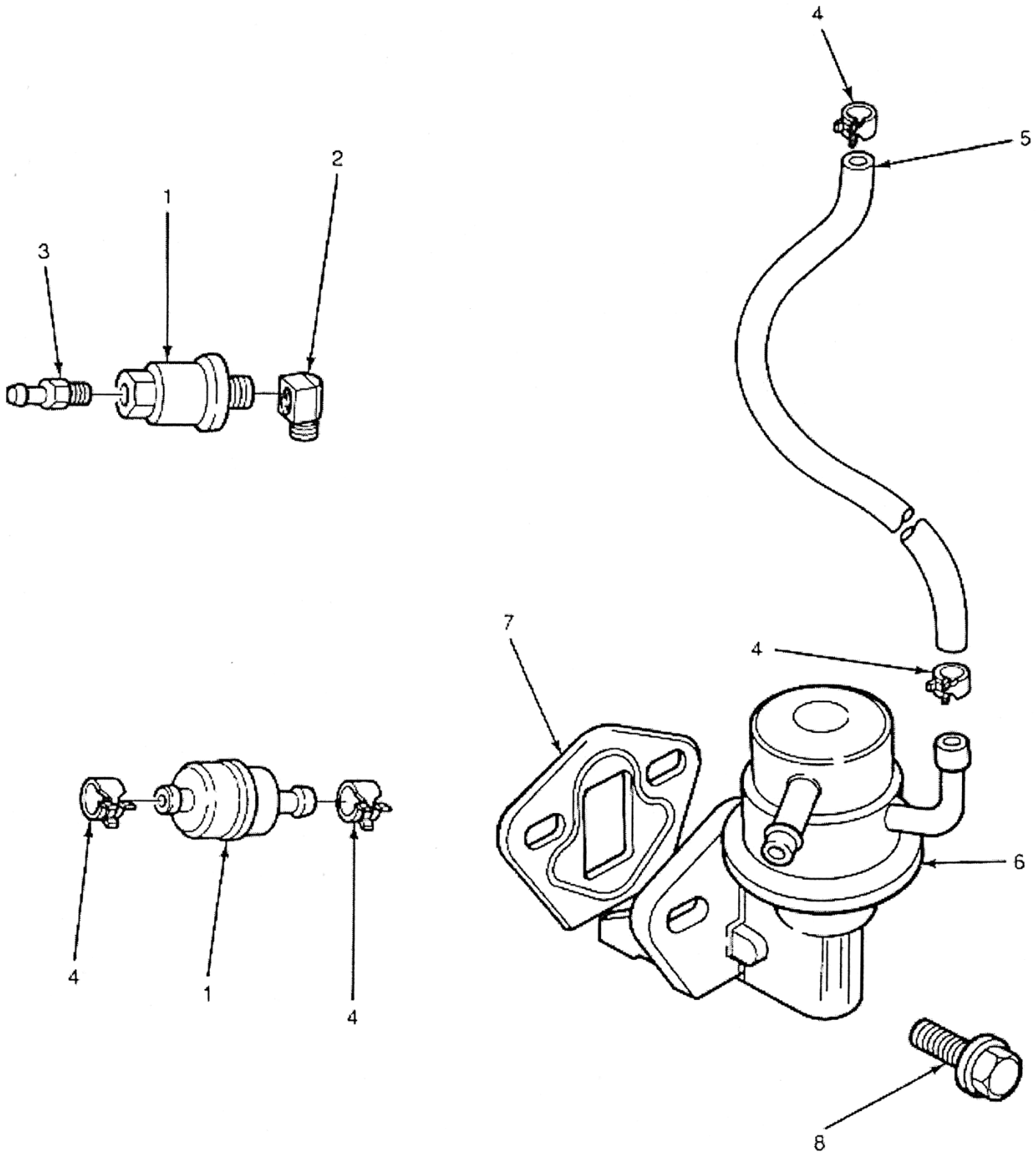
FS06

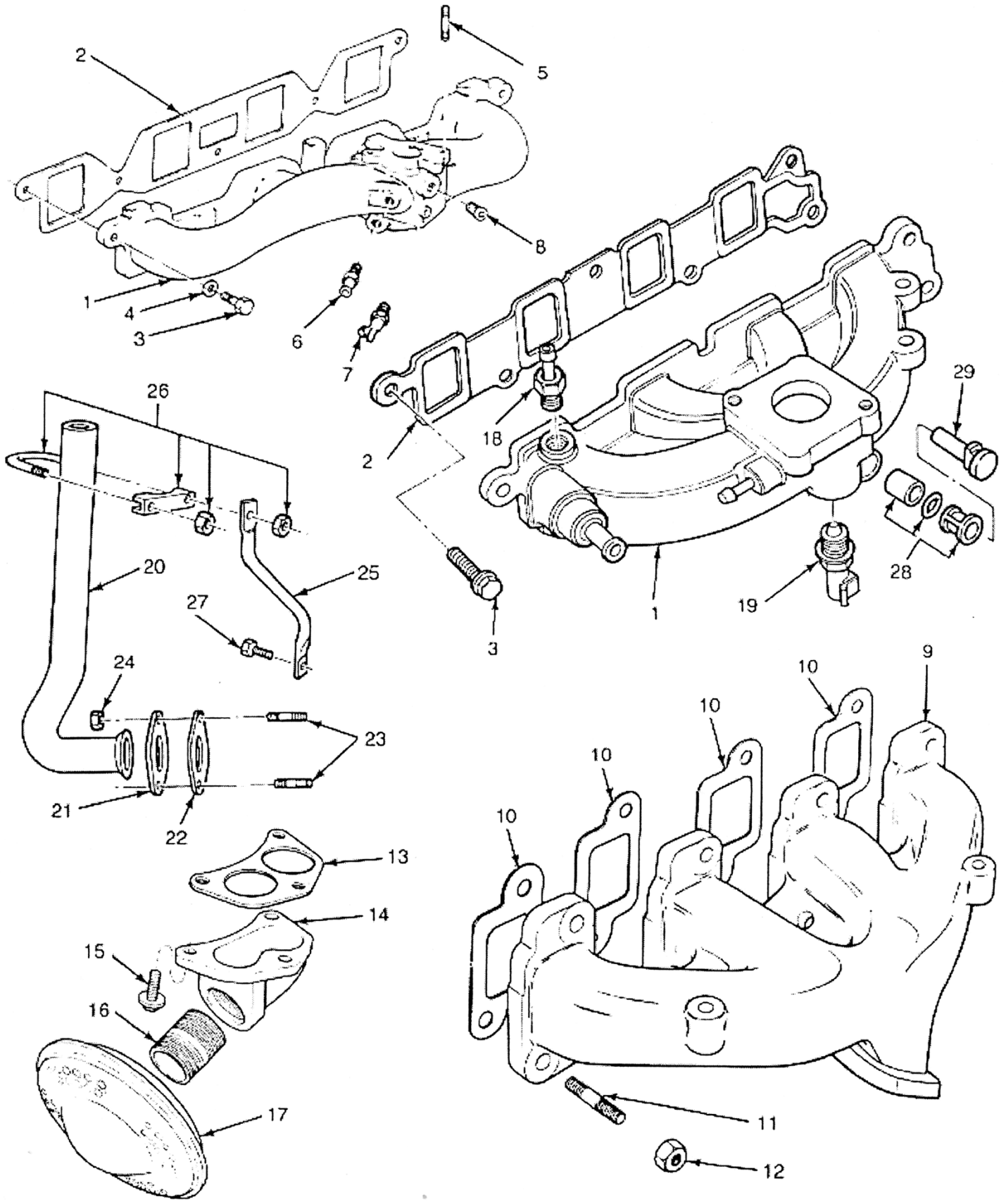


FS07

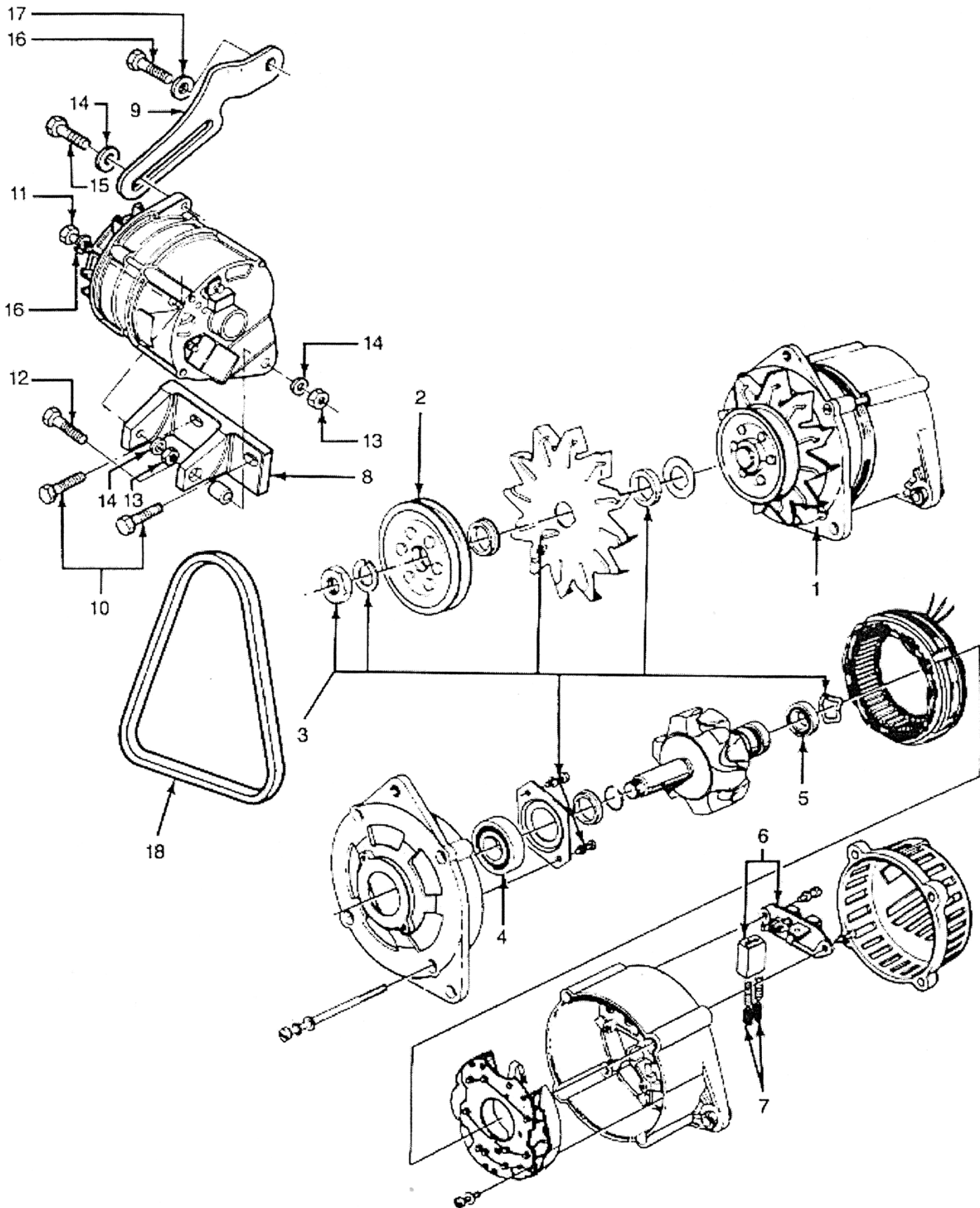


FS08

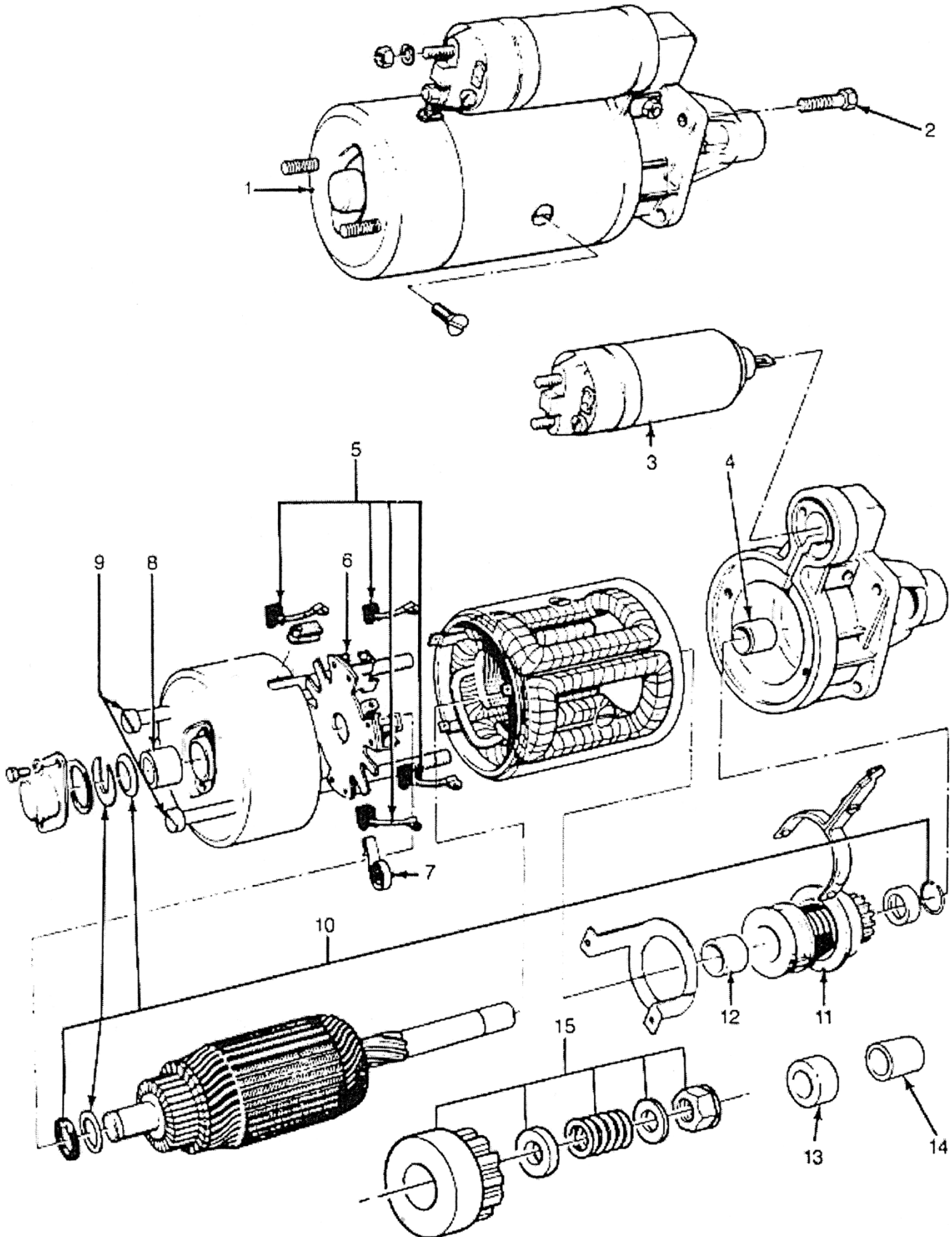




FS10



FS12



FS13

