

# Short instructions for Citymaster 650

## Before start-up of the vehicle

	<p><b>Safety information</b></p> <p>These short instructions may be used only in conjunction with the original operating manual!                  All cross-references refer to the pages in the CM 650 operating manual.                  Please observe the safety information in the operating manual, as from page 11!                  Information about special risks, as from page 16! The vehicle may be put into operation only by trained personnel!</p>
--	--

### 1. Removing the locking shackle Page 80

Caution: Risk of crushing!

Storage location: Bolt A with split pin

### 2. Checking the fuel supply Page 80

Caution: Risk of fire!

Fuel specification: Diesel (EN 590)



### 3. Checking the engine oil level Page 80

Caution: Risk of scalding!

Engine oil specification: API CJ-4  
 e.g.: Titan Cargo 5W-40

### 4. Checking the hydraulic oil level Page 81

Caution: Risk of crushing!

Hydraulic oil specification: HVLP 46  
 e.g.: Mobiloil DTE 10 Excel



### 5. Checking the coolant level Page 81

Caution: Risk of scalding!

Coolant specification: G12

e.g.: Total Glaceelf Auto Supra



### 6. Checking the tyre pressure Page 81

Standard tyres 23x8.5-12TT 10PR T539:

front/rear: 1.9 bar / 2.7 bar

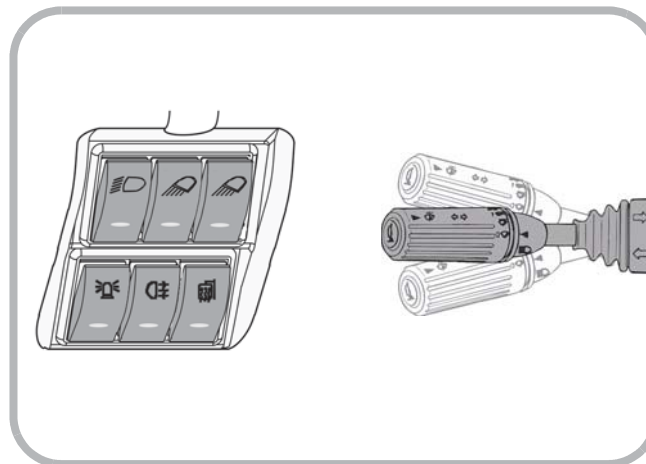


### 7. Checking the windscreen washer unit Page 82

Tank volume: approx. 2 litres



### 8. Checking the lighting Page 82



### 9. Checking the steering column, driver's seat and outside mirrors Page 82

Adjust the steering column, driver's seat and outside mirrors before driving!



# Short instructions for Citymaster 650

## Driving with the Citymaster 650

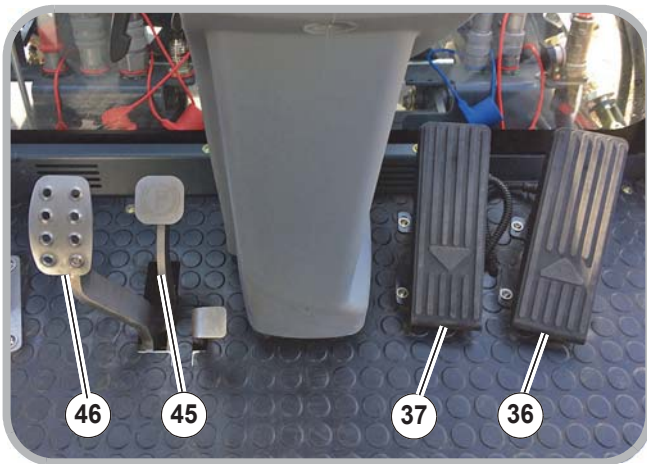


### Safety information

These short instructions may be used only in conjunction with the original operating manual!  
 All cross-references refer to the pages in the CM 650 operating manual.  
 Please observe the safety information in the operating manual, as from page 11!  
 Information about special risks, as from page 16! The vehicle may be put into operation only by trained personnel!

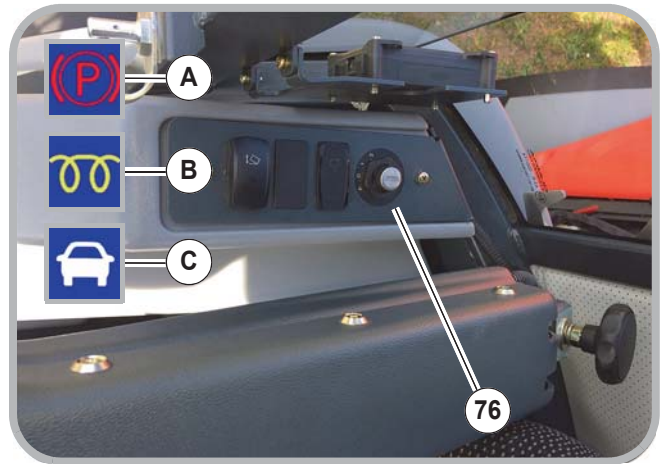
### 1. Preparing for driving Page 84

Move the accelerator pedals **36/37** to the neutral position.  
 Actuate the brake pedal **46** or the parking brake **45**.  
 Warning light **A** lights up. Fasten the seat belt!



### 2. Starting the engine Page 85

Use the ignition switch **76** to preheat the engine.  
 Start the engine once the telltale **B** goes out.  
 Observe the warning symbols! Page 49



### 3. Starting transport mode Page 85

Release the parking brake **45**. Warning light **A** off.  
 Use the accelerator pedal **36/37** to select the driving direction.

### 4. Parking the vehicle Page 90

Move the accelerator pedal back to the neutral position.  
 Lock the parking brake **45**. Warning light **A** on.

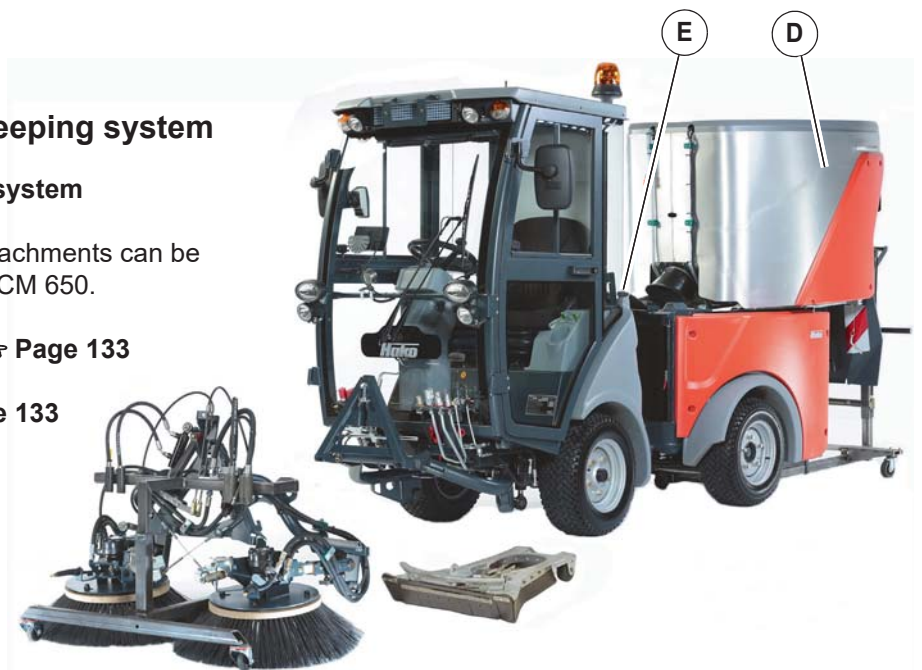
## Working with the vacuum sweeping system

### 1. Installing the vacuum sweeping system Page 127

Further installation descriptions for attachments can be found in the operating manual for the CM 650.

### 2. Topping up circulating water **D** Page 133

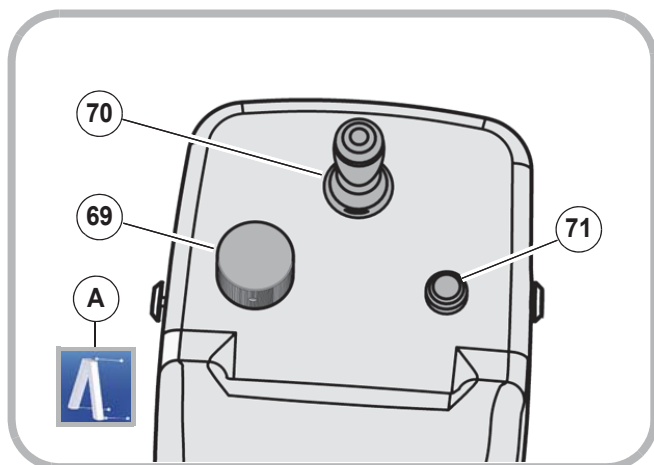
### 3. Topping up fresh water **E** Page 133



#### 4. Switching vacuum sweeping on Page 135

Press the Hako button 71. All set sweeping functions are switched on.

Work mode information symbol A lights up.

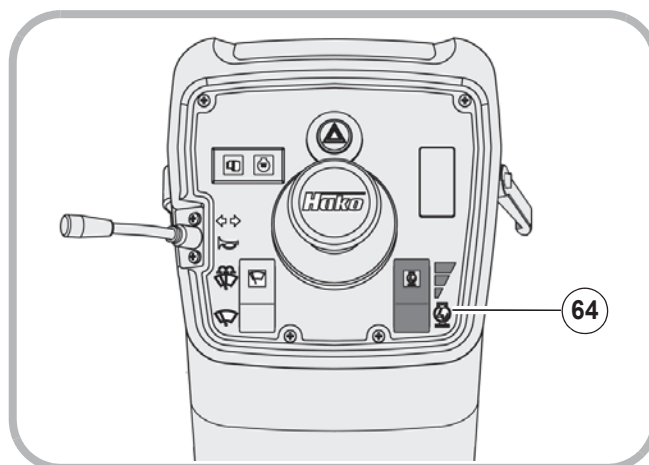


#### 5. Selecting the engine fixed speed Page 136

Tip switch 64 stage 1: ECO – low sweeping power.

Stage 2: Standard – medium sweeping power.

Stage 3: Maximum – high sweeping power.

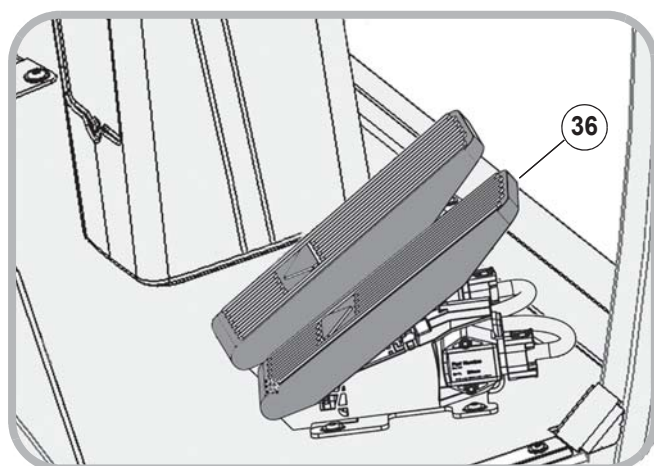


#### 6. Starting vacuum sweeping Page 136

Slowly press down the accelerator pedal 36.

Vehicle speed depending on the engine fixed speed:

ECO = 16 km/h, standard = 20 km/h, maximum = 27 km/h

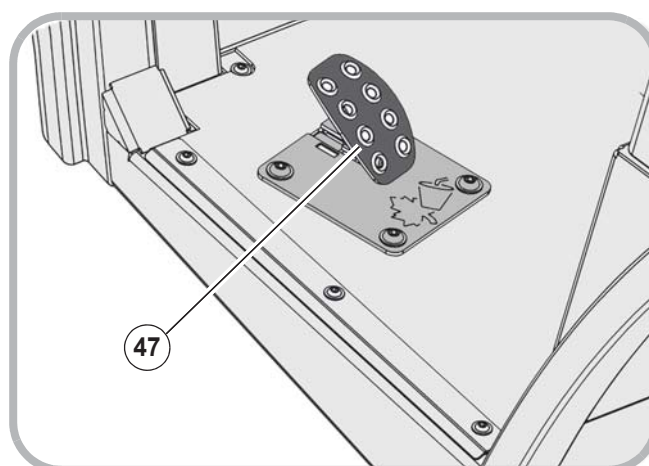


#### 7. Sweeping larger objects Page 137

Press the pedal 47: The coarse material flap opens.

Move the pedal to the right: Pedal engages.

Move the pedal to the left: Pedal disengages.



#### 8. Changing the sweeping width Page 137

Press the joystick 70 to the left/right:

The rotating brush swivels to the left/right.

#### 9. Sweeping dry/wet surfaces Page 142

Circulating water is supplied to bind dust.

If necessary, switch on the fresh water pump.


Use the lever B to adjust the fresh water quantity.

#### 10. Operating the multifunction display Page 35

The turn-push knob 69 is used to select menus and submenus and to set values.

#### Settings during vacuum sweeping:

Setting the rotating brush speed C  Page 141

Switching the fresh water pump on D  Page 142

Switching the suction fan on E  Page 142

