

## 6.0.10 3-Broom-System

### 3-Broom-System, Table of contents

<b>Inhalt/ Contents</b>	<b>Seite/ Page</b>
<b>Function of 3-Broom-system</b>	<b>2</b>
<b>3-Broom-System</b>	<b>3 - 5</b>
<b>Valve block</b>	<b>6</b>
<b>Water system</b>	<b>7</b>
<b>Concept of operation</b>	<b>8 - 10</b>
<b>Programming and adjustment</b>	<b>11 - 12</b>

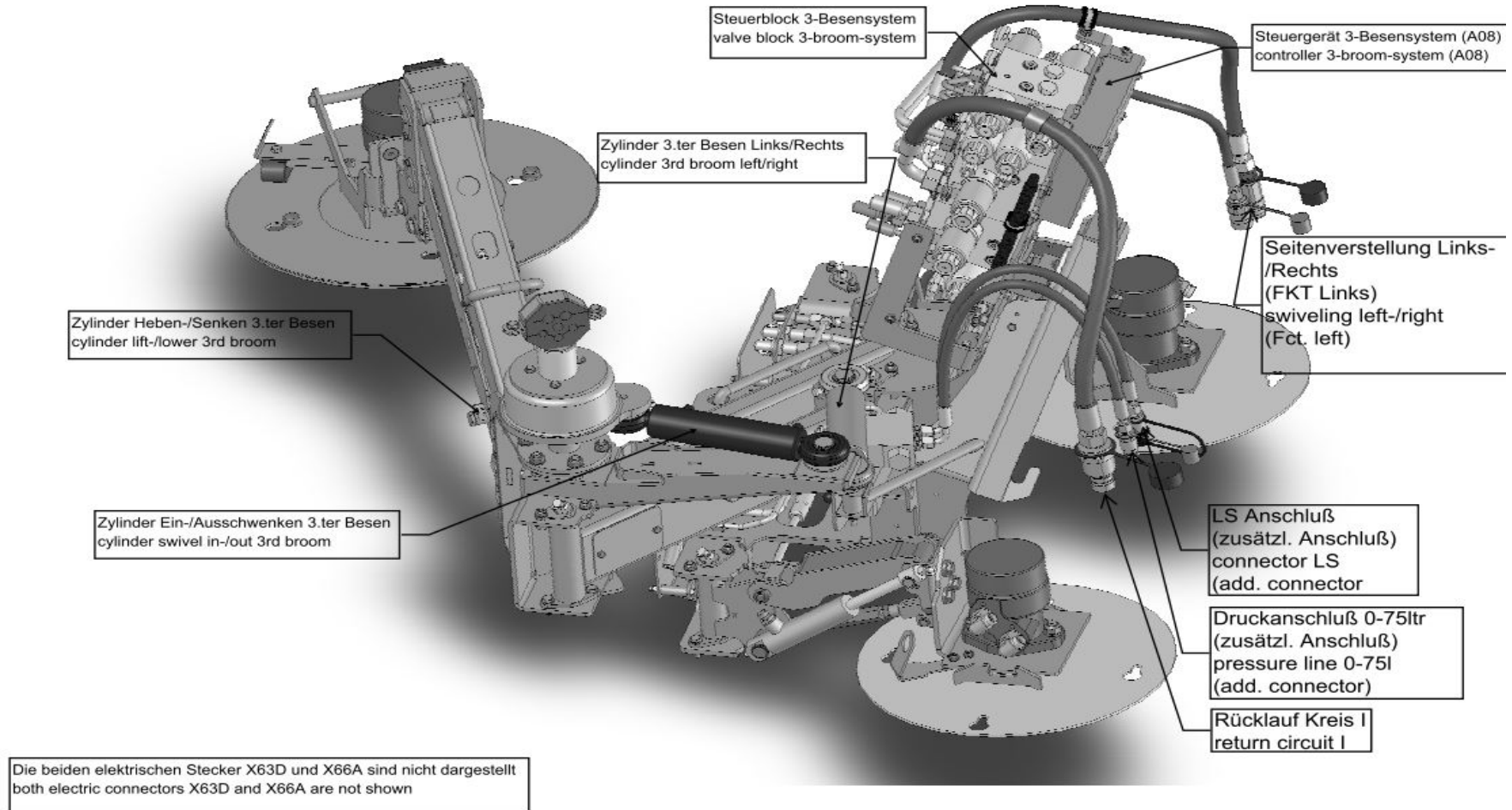
### **Function of the 3-Broom-Controller**

By turning of the ignition key the system is energized. If power is applied at A08 X1PIN64 and PIN78 the 3-Broom-Controller is activated (presupposed the ground connection is correct). By this a CAN-Bus message is sended to the work-hydraulic-controller A04. Through this the machine detect the 3-Broom-Systems. You could see it in the display, by the relevant symbol. The detection is not done, like other tools, by a coding at the plug X63. This plug is only used for the communication with the machine. By pushing the "Green Button" the sweep mode is activated. In the machine is now the relay K07 energized (+12V at PIN 86). By this the working power supply for the 3-Broom-Controller (Fuses F25 und F26) is energized.

If the front attachment sensor (B16) isn't applied, the 3-broom-system is still activated, but the proportional valves broom speed will be not energized. All other 3-broom functions will work.

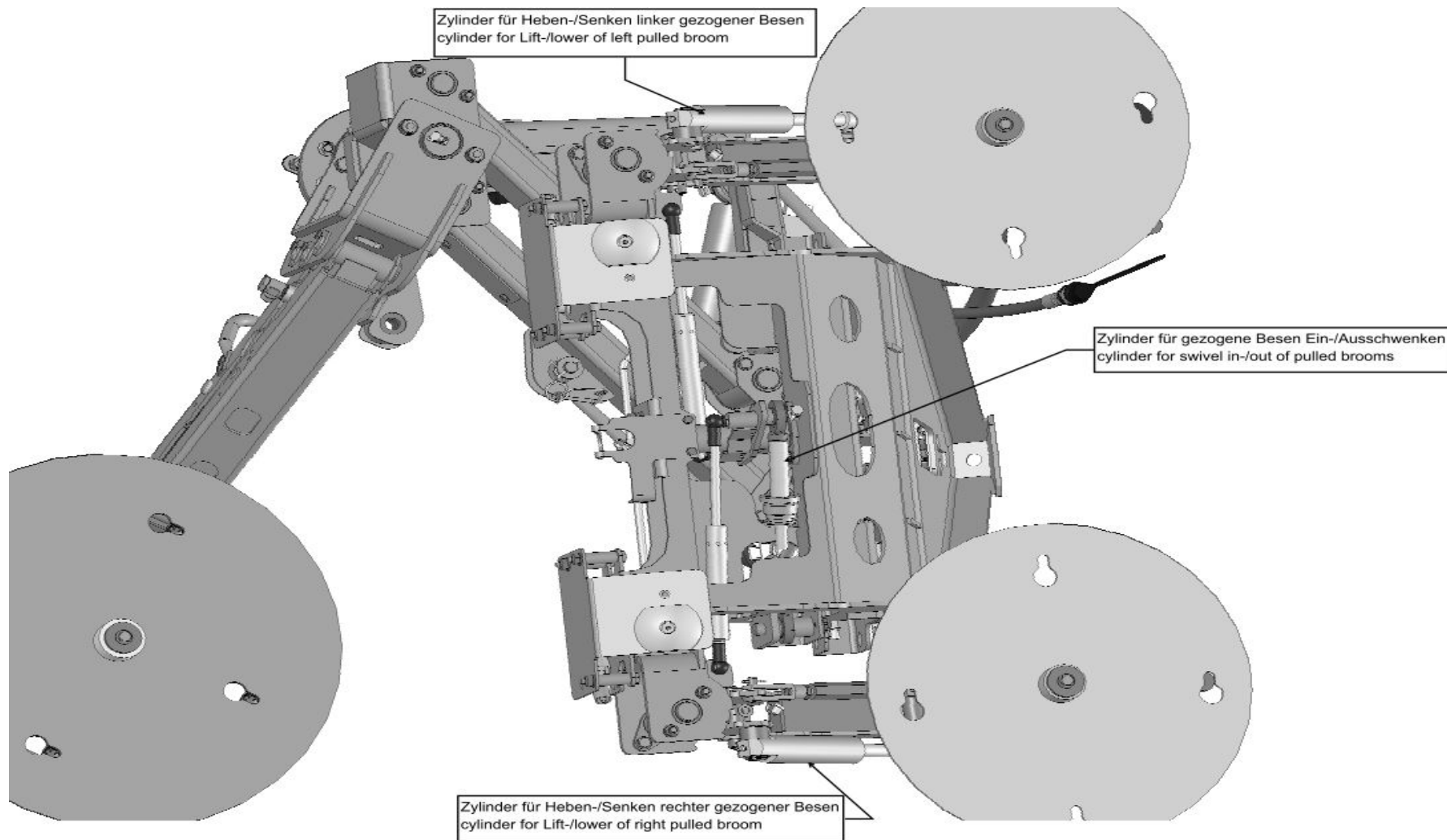
## 6.0.10 3-Broom-System

### 3 Broom-System



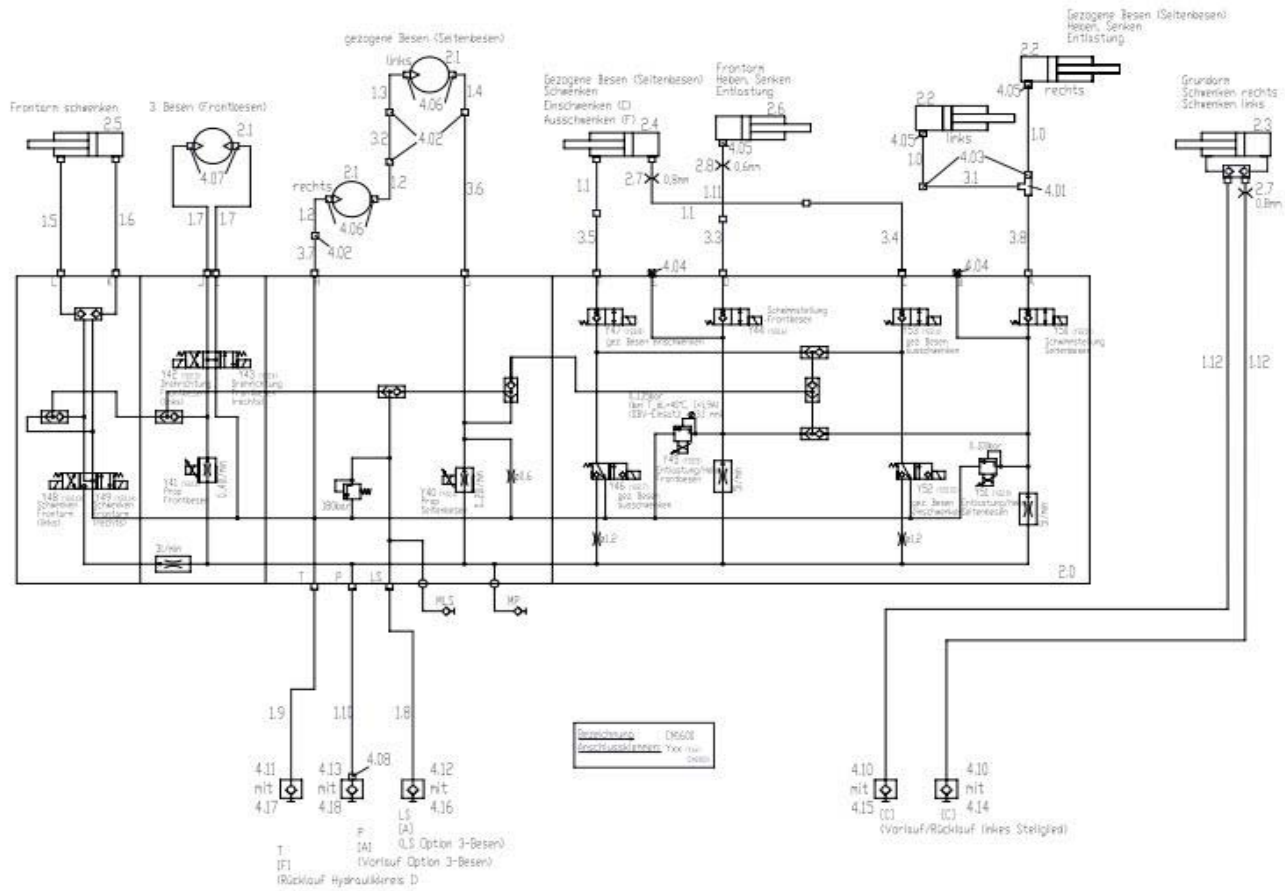
## 6.0.12 3-Broom-System

### 3 Broom-System



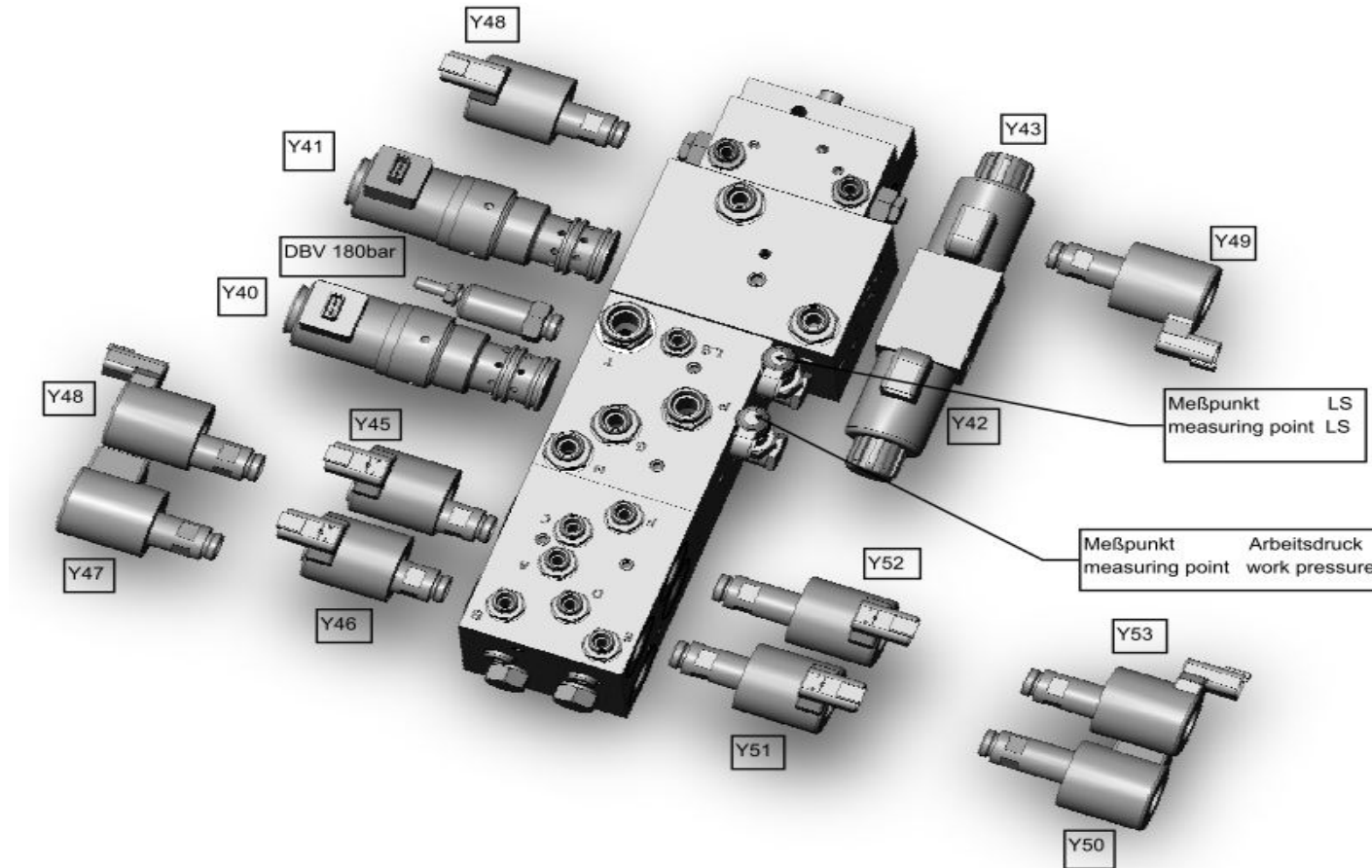
# 6.0.10 3-Broom-System

## 3 Broom-System



## 6.0.10 3-Broom-System

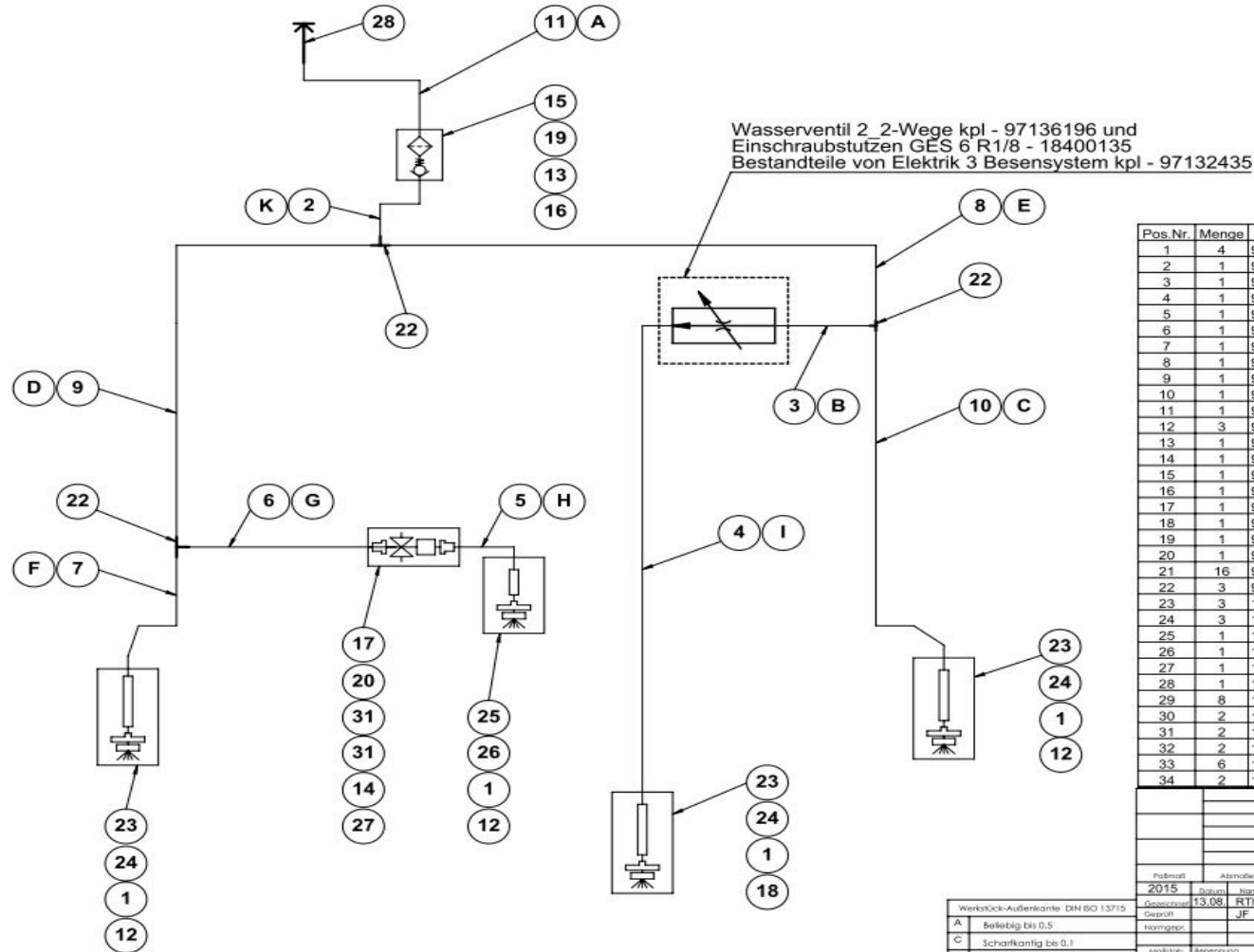
### Valveblock



# 6.0.10 3-Broom-System

## Water-System

97135255



Position 21, 29, 30, 32, 33, 34 nicht dargestellt

Pos.Nr.	Menge	Sach-Nr.	Beschreibung
1	4	90794355	SCHLAUCHTUELLE G 1 8, MS
2	1	90693136	OLN-Schlauch DN 4 (6x3) K 27668045-75
3	1	90693128	OLN-Schlauch DN 4 (6x3) B 27668045-180
4	1	90687765	OLN-Schlauch DN 4 (6x3) I 27668045-2860
5	1	90687757	OLN-Schlauch DN 4 (6x3) H 27668045-100
6	1	90687740	OLN-Schlauch DN 4 (6x3) G 27668045-190
7	1	90687732	OLN-Schlauch DN 4 (6x3) F 27668045-1240
8	1	90687724	OLN-Schlauch DN 4 (6x3) E 27668045-380
9	1	90687716	OLN-Schlauch DN 4 (6x3) D 27668045-470
10	1	90687708	OLN-Schlauch DN 4 (6x3) C 27668045-1740
11	1	90687682	OLN-Schlauch DN 4 (6x3) A 27668045-300
12	3	90644741	Wasserdüse
13	1	90526401	KUGELVENTILFILTER 4193A-PP-5-100 SS
14	1	90517657	SONDERSCHRAUBE
15	1	90505439	ANSCHLUßSTÜCK
16	1	90505421	FILTERHALTER
17	1	90446253	EINSCHRAUBSTUTZEN, WES 6-R3-8
18	1	90429952	DÜSE 1-8 K5
19	1	90349846	ÜBERWURFMUTTER
20	1	90315375	KUGELHAHN - 4983-00
21	16	90156688	KABELBINDER
22	3	90014440	VERTEILER TS 6
23	3	19798123	Mutter M25x1,5
24	3	19798115	Kabelverschraubung M25x1,5
25	1	19798107	Sechskantmutter Reiku PA M25x1,5
26	1	19798099	Kabelverschraubung DIN 46320 A M25
27	1	18400127	Einschraubstützen GES 6 R 3 8
28	1	18400093	KUPPLUNGSSTECKER LW6 GRÖÖE 3
29	8	17521030	SCHELLE A10
30	2	12310033	Scheibe DIN 125-A6.4-140HV-St A2G
31	2	12310082	Scheibe DIN 125-A17-140HV-St A2G
32	2	12040044	6KT-MUTTER DIN 985-M6-6 A2G
33	6	11702065	6KT-SCHRAUBE DIN 7500-M6X25-D-ST A2G
34	2	11038122	6kt Schraube DIN 933-M6x30-8.8 A2G

3																				
4																				
5																				
6																				
7																				
8																				
9																				
10																				
11																				
12																				
13																				
14																				
15																				
16																				
17																				
18																				
19																				
20																				
21																				
22																				
23																				
24																				
25																				
26																				
27																				
28																				
29																				
30																				
31																				
32																				
33																				
34																				

## 6.0.12 3-Broom-System

### Concept of operation



Begin of work mode with green button, menu level 1 activ

Two menu levels:

Menu 1: Pulled brooms

Menu 2: 3rd broom

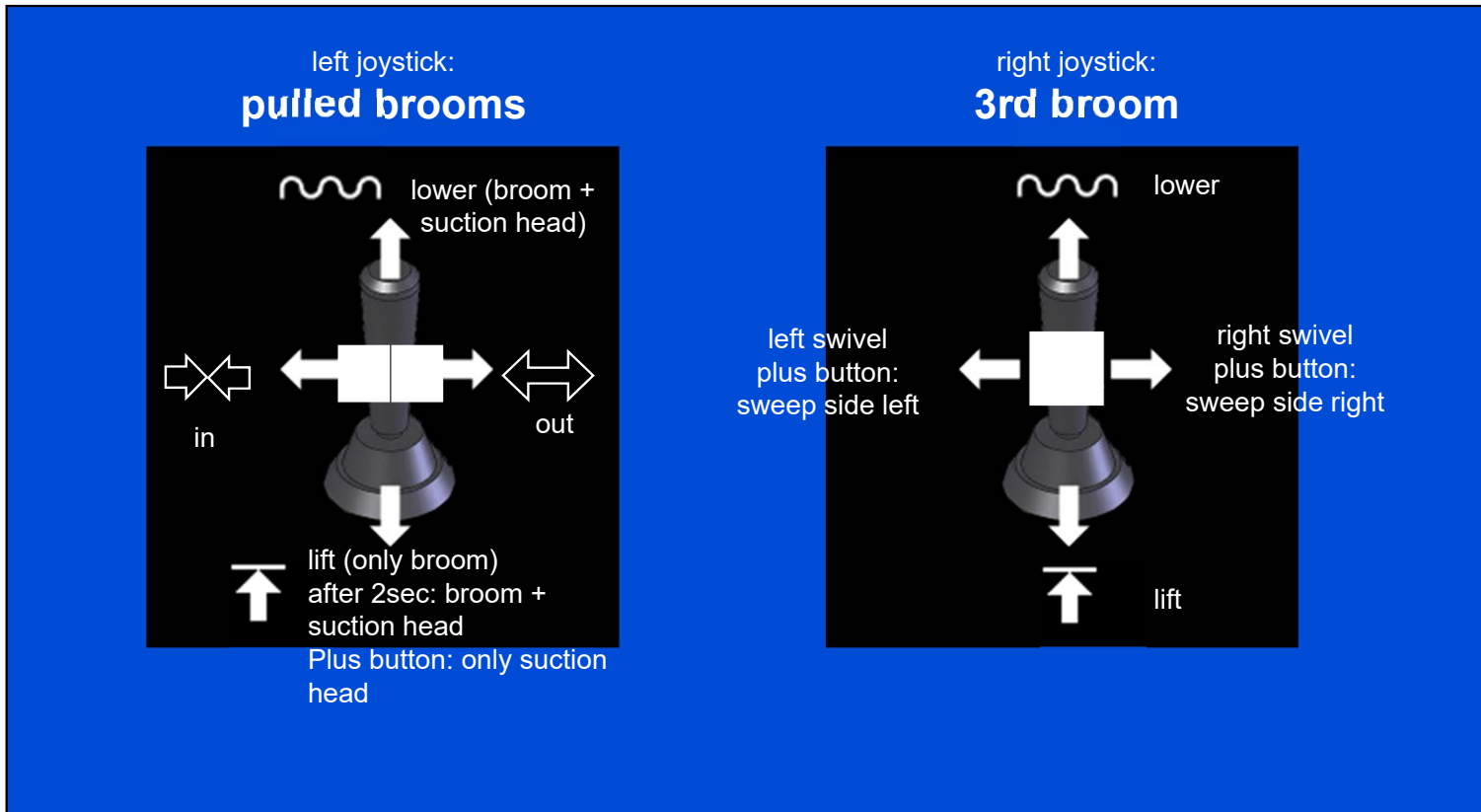
- Change by the last used function
- Notification of the current menu level in the display, Adaption of the working functions (A-Menu) by means of the menu level



## 6.0.10 3-Broom-System

### Concept of operation

After change to work mode: Menue level „**pulled brooms**“:

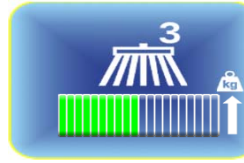
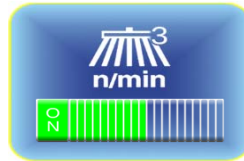
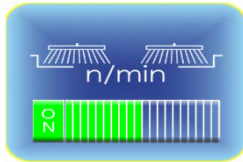


Into floating position: start brooms

Leave of floating position: stop brooms

### 6.0.10 3-Broom-System

#### Concept of operation



## 6.0.10 3-Broom-System

### Programming and adjustment

- **Controller did have flashed software**
- **Controller is parametrized in Glindow factory**
- **Parametrizing is memory buffered on the work hydraulic controller. That means after change of 3-broom-controller parametrizing is write back to controller; only need to be saved**
- **In case of new software flashing is possible. Procedure is described**
- **Parametrizing at machine is possible with diagnose tool**

## 6.0.10 3-Broom-System

### Programming and adjustment

- Pulled brooms min 10% => 30 rpm; max 100% 140 rpm
- 3rd broom min 10% => 30 rpm; max 100% 120 rpm
  
- Pulled brooms min 10% => 20 kg; max 100% => 8 kg
- 3rd broom min 10% => 29 kg; max 100% => 8 kg

**“Attention! Weight of broom(s) at ground“**