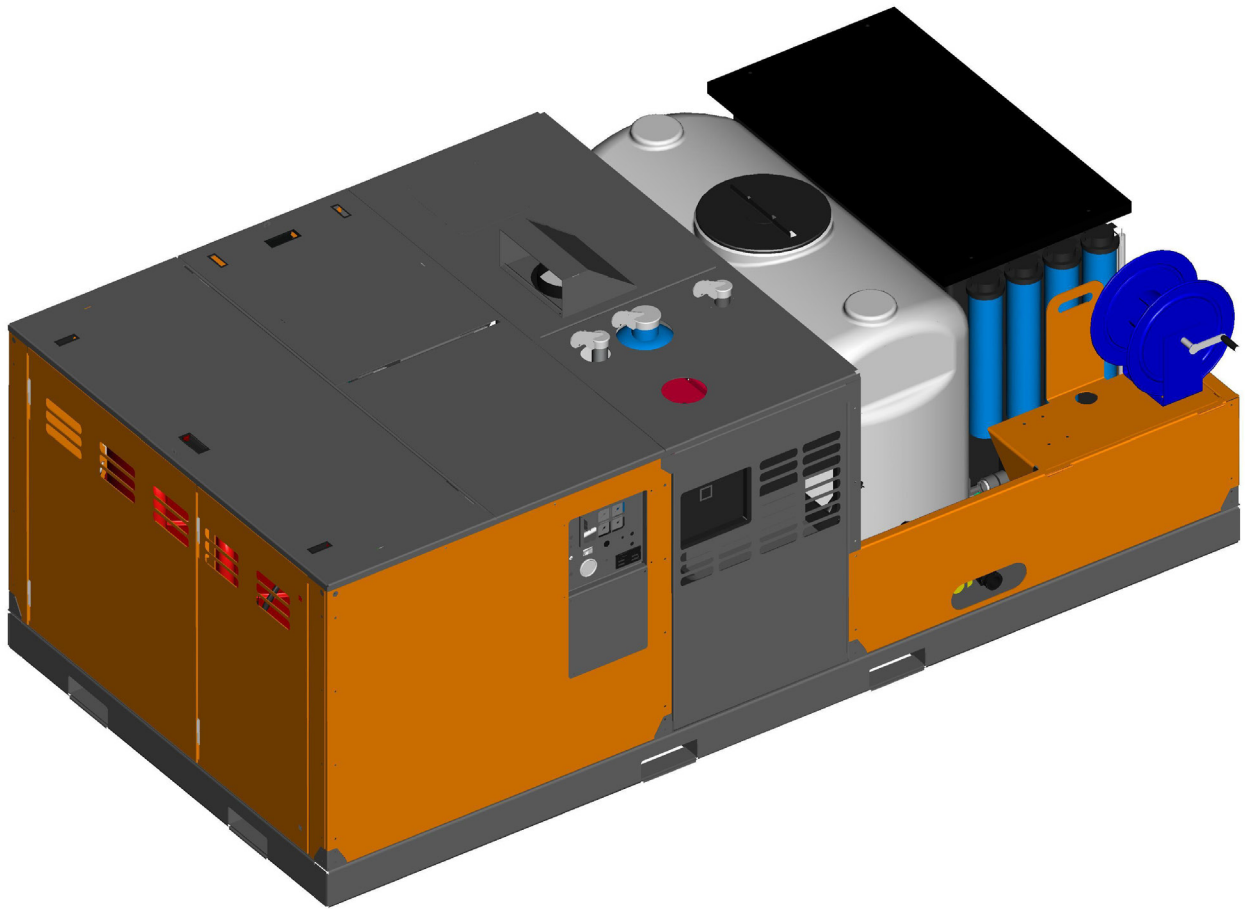


Parts Catalog

PowerBlast



PREFACE

Thank you for your purchase of the now industry standard for industrial equipment. PowerBoss takes great pride in offering the most dependable, reliable and best value in industrial power equipment, we set the standard.

Our publishing department would like to hear from you. If you see any errors, omissions or something that needs clarification in this spare parts catalog please let us know. We are working hard toward perfection in our corner of the process to bring you the best you can buy. Please copy the form below, fill out and comment on how you found our catalog.

Thank you.

*Name _____

*Title: _____

*Company Name: _____

*Address: _____

*Country: _____

Type of equipment or model number: _____

Comments:

*Information is optional.

Please return to:

Manager, Publishing Department, International
PowerBoss, Inc.
175 Anderson Street
Aberdeen, North Carolina 28315 USA

Phone (800) 982-7141 Toll Free

(910) 844-4490 Local

E-Mail - techsupport@powerboss.com

This is the spare parts catalog for the PowerBoss PowerBlast.

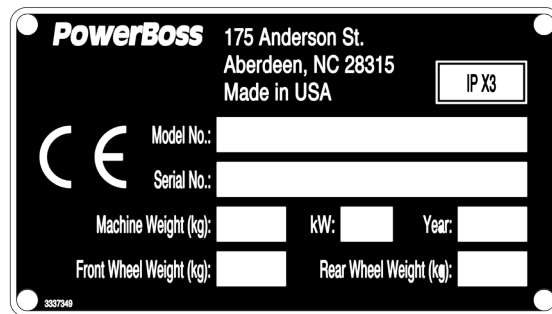
The machine will provide excellent service for many years. However, the best results will be obtained if:

- The machine is operated with reasonable care.
- The machine is maintained regularly per the maintenance schedule provided in the User Manual.
- The machine is maintained with PowerBoss Inc. supplied or equivalent parts.

Some hardware considered to be common or locally available has been omitted from the parts section to make this manual clear. Be sure to use equivalent hardware when replacement becomes necessary.

The model and serial number of your machine is shown on the I. D. name plate. This information is needed when contacting technical support or when ordering parts. The I. D. plate is mounted on the control panel of the machine on the lower right.

Example I. D. Plate:



Parts may be ordered by phone, fax or e-mail from any PowerBoss parts and service center. Before ordering parts or supplies, be sure to have your machine model number and serial number handy. For your convenience fill out the data block below for future reference.

MACHINE DATA	
Fill out at installation	
Serial Number:	_____
Engine Serial Number:	_____
Sales Rep.:	_____
Date of Install:	_____

All information contained in this catalog is current at the time of printing. However, PowerBoss reserves the right to make changes at any time without notice.

TECHNICAL SPECIFICATIONS

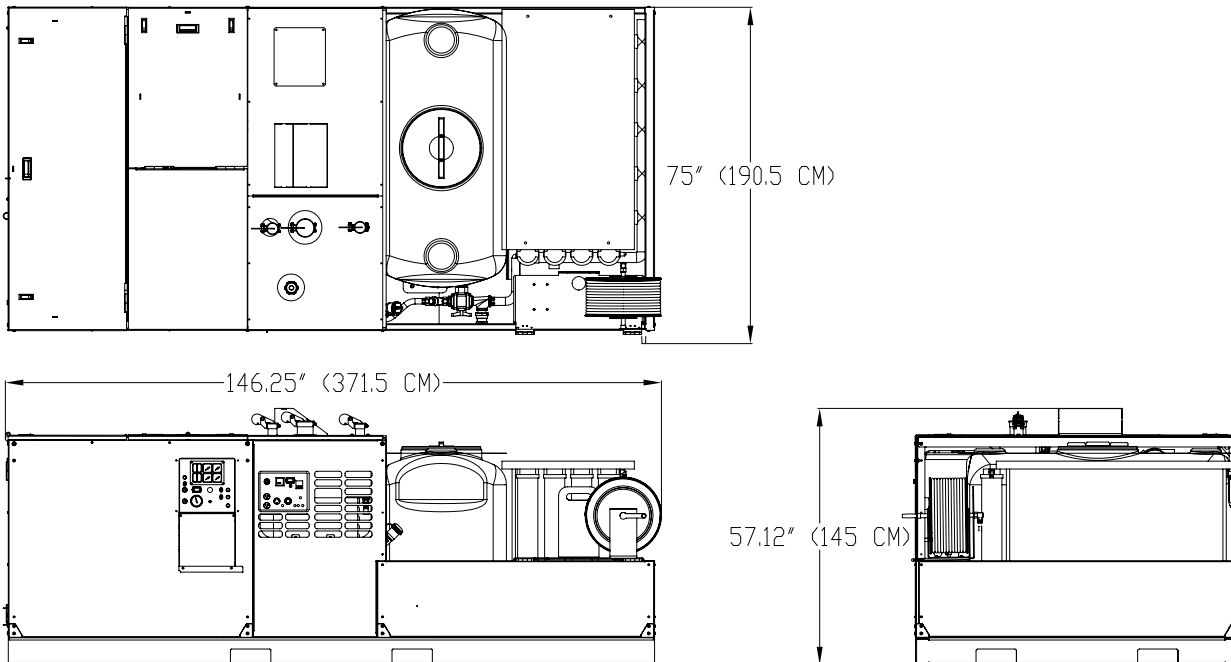
Model Powerblast
Model No. 500500,500600

DIMENSIONS & WEIGHT

Length 255.62 inches (649 cm)
Width 100.25 inch (255 cm)
Height 77.75 inch (198 cm)
Weight empty (approx)* 4,680 lbs. (2123 kg)
Weight with water (approx)* 8,140lbs. (3692 kg)
*Note: weight is approximate depending on configuration and equipment purchased.

CLEANING SYSTEM

Clean Water Tank 250 gallons
Sediment Tanks (2) 30 gallon each
Recycling System 440 gallons
Recycling Rate 10 gpm
Vacuum System. 100" of water lift
Water Pump (single) 5000 psi
Water Pump (dual) 4000 psi



TECHNICAL SPECIFICATIONS

Model Powerblast
Model No. 500500,500600

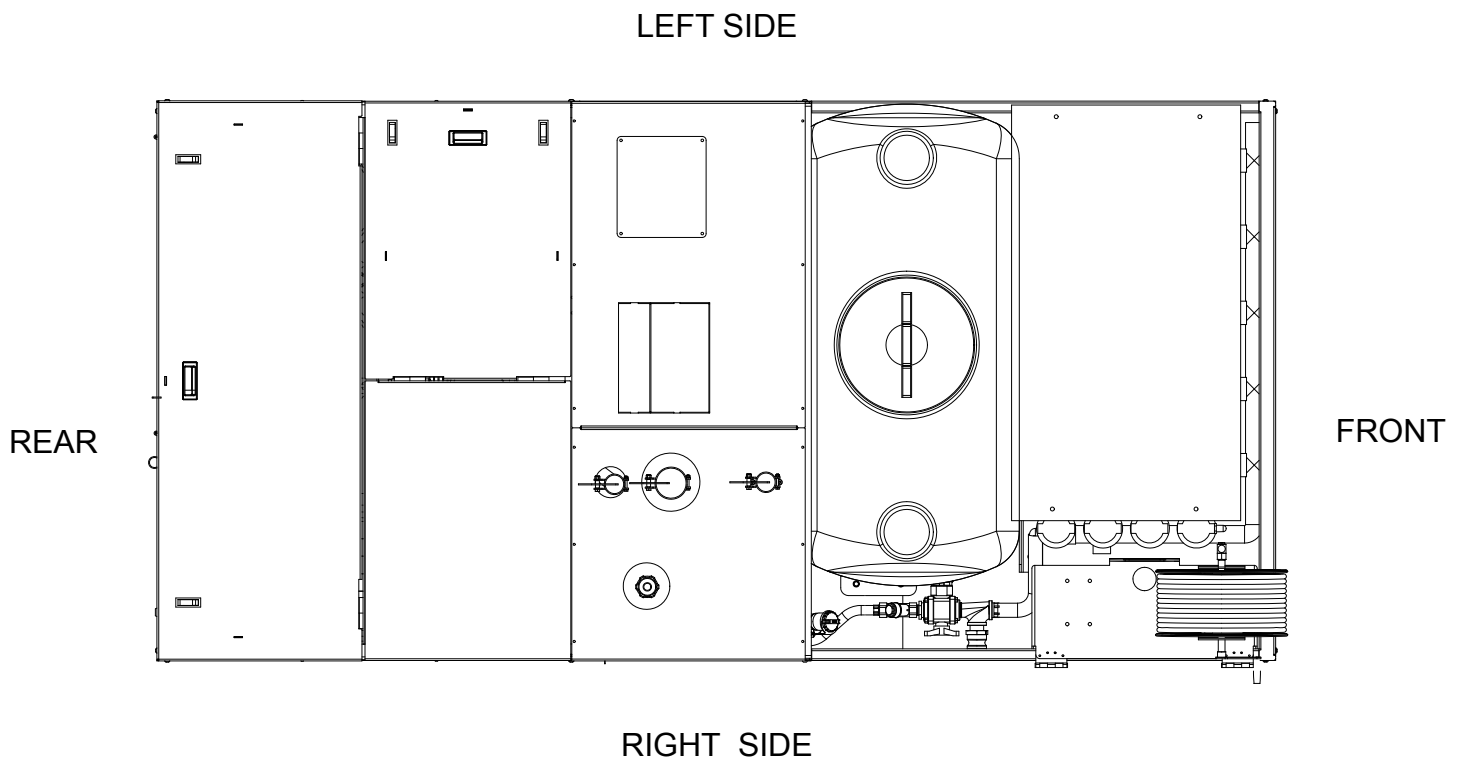


TABLE OF CONTENTS

PREFACE 2

TECHNICAL SPECIFICATIONS 4

 Dimensions & weight 4

 Cleaning system 4

TECHNICAL SPECIFICATIONS 5

THIS PAGE INTENTIONALLY LEFT BLANK 9

PARTS BREAKDOWN 10

 OVERALL MACHINE 10

FRAME GROUP-500510 12

 FRAME 12

WATER RECYCLING GROUP-500590 14

 WATER RECYCLING 14

 SUCTION SIDE 16

 DRUMS WITH VAC HOSE 18

 DRUMS 20

BURNER/FUEL GROUP-500051 22

 BURNER AND FUEL TANK 22

 FUEL TANK 24

 GENERATOR 26

POWER-PLANT GROUP-500530 28

 2203 KUBOTA ENGINE BLOCK ASSY 28

 2203 KUBOTA ENGINE OIL PAN 30

 2203 KUBOTA ENGINE CYLINDER HEAD 32

 2203 KUBOTA ENGINE GEAR CASE 34

 2203 KUBOTA ENGINE HEAD COVER 36

 2203 KUBOTA ENGINE OIL FILTER 38

 2203 KUBOTA ENGINE DIPSTICK AND GUIDE 40

 2203 KUBOTA ENGINE OIL PUMP 42

 2203 KUBOTA ENGINE OIL FILLER FLANGE 44

 2203 KUBOTA ENGINE MAIN BEARING CASE 46

 2203 KUBOTA ENGINE CAMSHAFT AND IDLE GEAR SHAFT 48

 2203 KUBOTA ENGINE PISTON AND CRANKSHAFT 50

 2203 KUBOTA ENGINE FLYWHEEL 52

 2203 KUBOTA ENGINE FUEL CAMSHAFT AND GOVERNOR SHAFT 54

 2203 KUBOTA ENGINE IDLE APPARATUS 56

 2203 KUBOTA ENGINE STOP LEVER 58

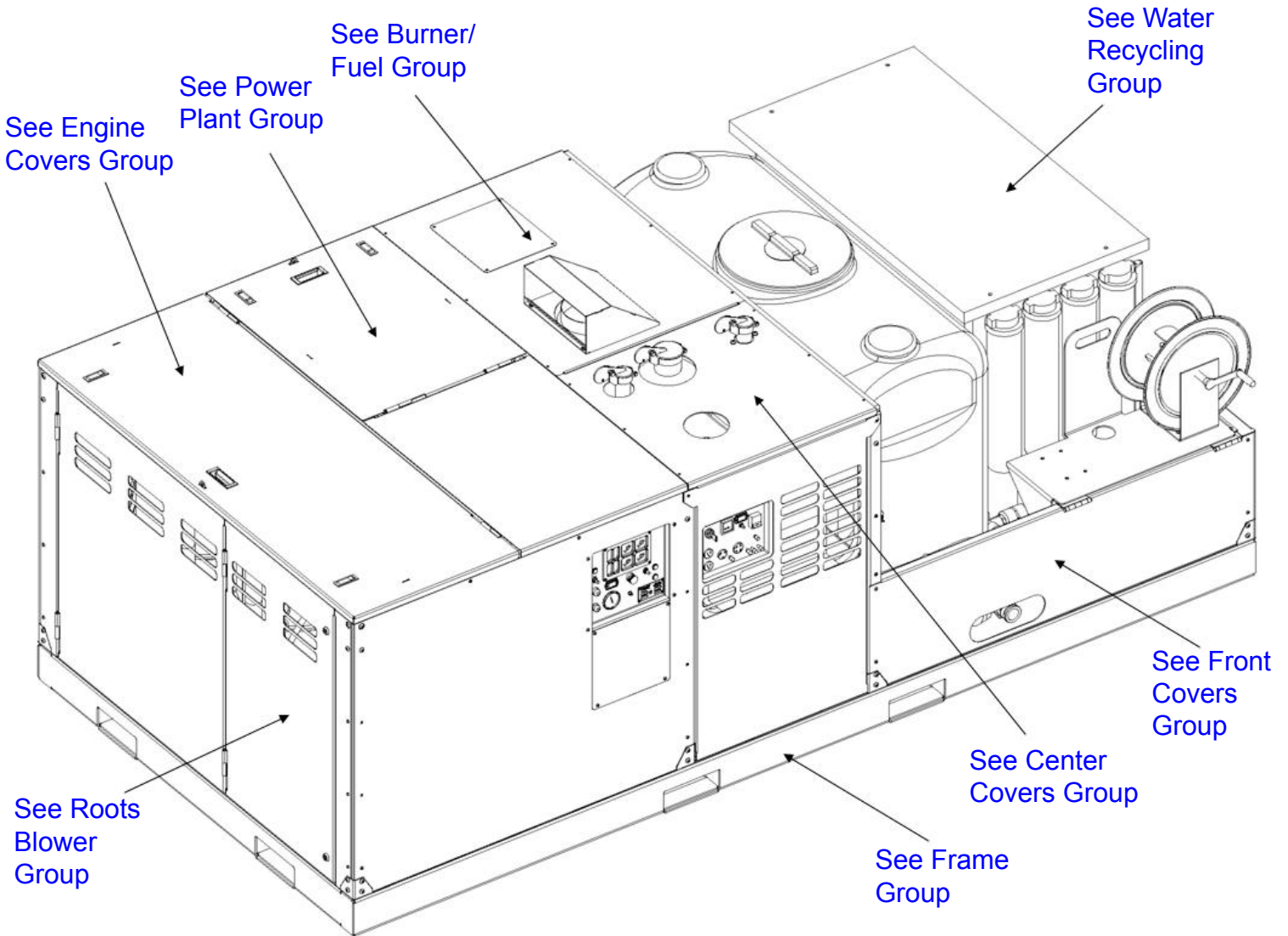
 2203 KUBOTA ENGINE STOP SOLENOID 60

2203 KUBOTA ENGINE INJECTION PUMP	62
2203 KUBOTA ENGINE GOVERNOR.	64
2203 KUBOTA ENGINE SPEED CONTROL PLATE.	66
2203 KUBOTA ENGINE NOZZLE HOLDER AND GLOW PLUG	68
2203 KUBOTA ENGINE FUEL FILTER	70
2203 KUBOTA ENGINE FUEL PUMP (MECHANICAL)	72
2203 KUBOTA ENGINE ALTERNATOR AND PULLEY.	74
2203 KUBOTA ENGINE ALTERNATOR (COMPONENT PARTS).	76
2203 KUBOTA ENGINE STARTER.	78
2203 KUBOTA ENGINE STARTER (COMPONENT PARTS)	80
2203 KUBOTA ENGINE OIL SWITCH AND PLUG	82
2203 KUBOTA ENGINE WATER FLANGE AND THERMOSTAT	84
2203 KUBOTA ENGINE WATER PUMP	86
2203 KUBOTA ENGINE FAN.	88
2203 KUBOTA ENGINE VALVE AND ROCKER ARM.	90
2203 KUBOTA ENGINE INLET MANIFOLD	92
2203 KUBOTA ENGINE EXHAUST MANIFOLD.	94
2203 KUBOTA ENGINE ACCESSORIES AND SERVICE PARTS	96
2203 KUBOTA ENGINE LABEL AND OPERATOR'S MANUAL	98
2203 KUBOTA ENGINE GASKET KIT [OPTION]	100
2203 KUBOTA ENGINE GASKET KIT [OPTION]	102
ENGINE RADIATOR	104
ENGINE EXHAUST.	106
ENGINE SUB	108
ENGINE SUB CONT.	110
MAIN PUMP DUAL	112
MAIN PUMP DUAL CONT.	114
MAIN PUMP DUAL CONT.	116
ENGINE MOUNTS	118
ROOTS BLOWER GROUP-500560	120
ROOTS BLOWER	120
HOSES	122
CENTER COVERS GROUP-500034	124
CENTER COVERS	124
FRONT COVERS GROUP-500540.	126
FRONT COVERS	126
CONTROL PANEL.	128
CONTROL PANEL CONT.	130

ENGINE COVERS GROUP-500034	132
ENGINE COVERS	132
ENGINE COVERS CONT.....	134
WARRANTY	136
NOTES	137

THIS PAGE INTENTIONALLY LEFT BLANK

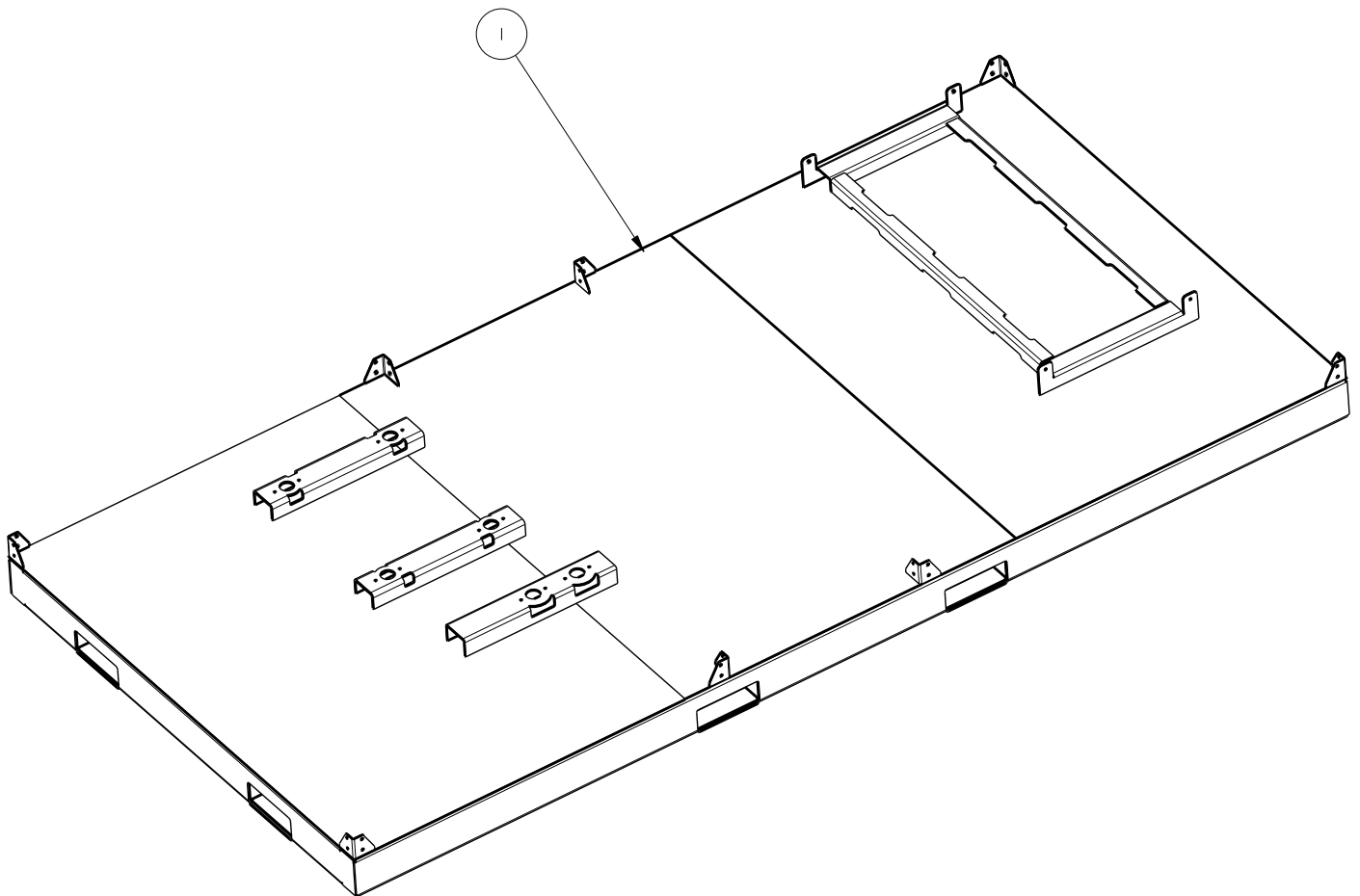
PARTS BREAKDOWN
OVERALL MACHINE



OVERALL MACHINE			
ITEM	PART NO.	QTY	DESCRIPTION
1	500510	-	Group-Frame
2	500590	-	Group-Water Recycling
3	500051	-	Group-Burners/Fuel
4	500530	-	Group-Power Plant
5	500540	-	Group-Partial Tank Covers
6	500034	-	Group-Center Covers
7	500520	-	Group-Engine Covers
8	500560	-	Group-Roots Blower

FRAME GROUP-500510

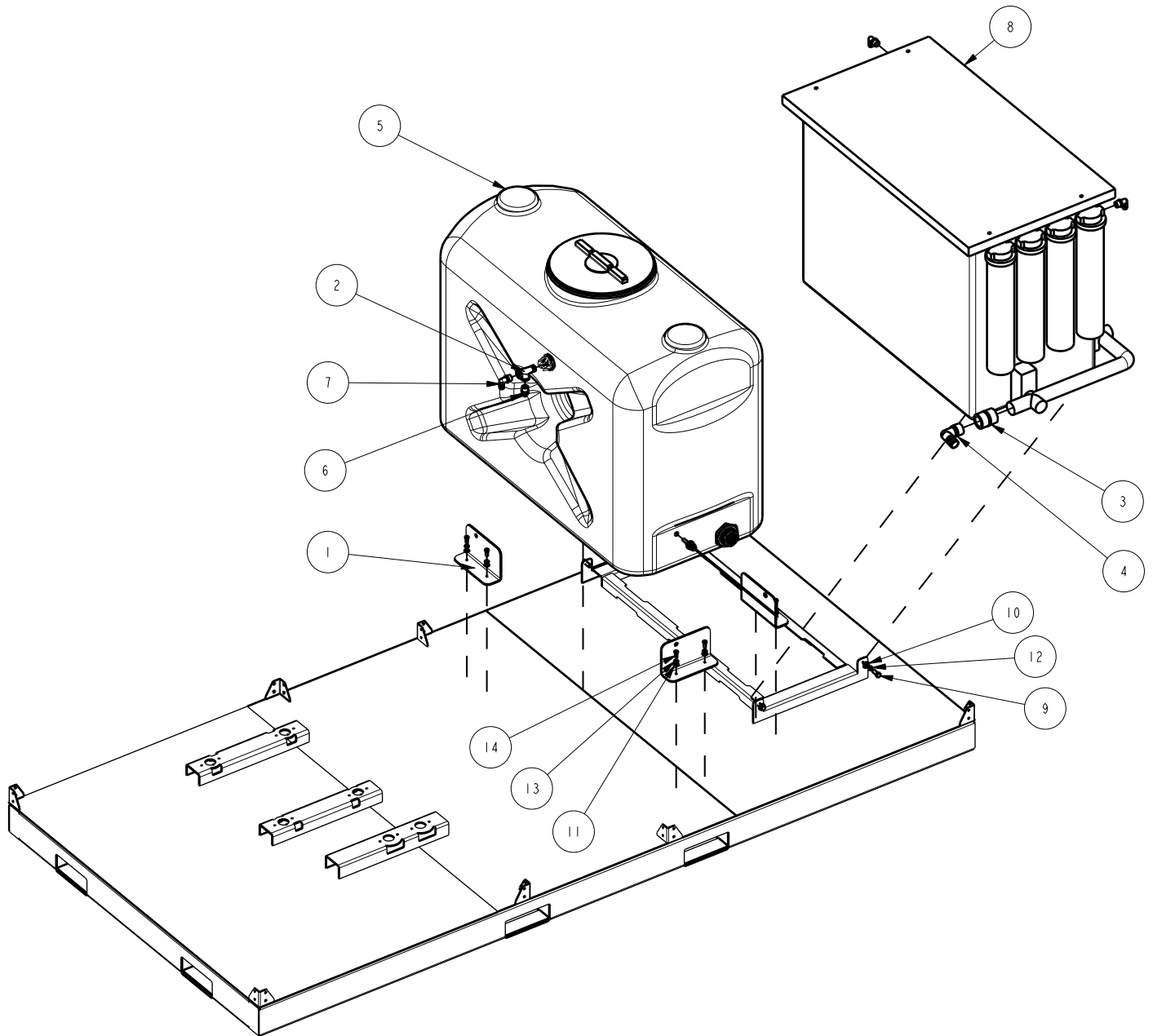
FRAME



FRAME			
ITEM	PART NO.	QTY	DESCRIPTION
1	500200	1	WDT - POWERBLAST BASE FRAME

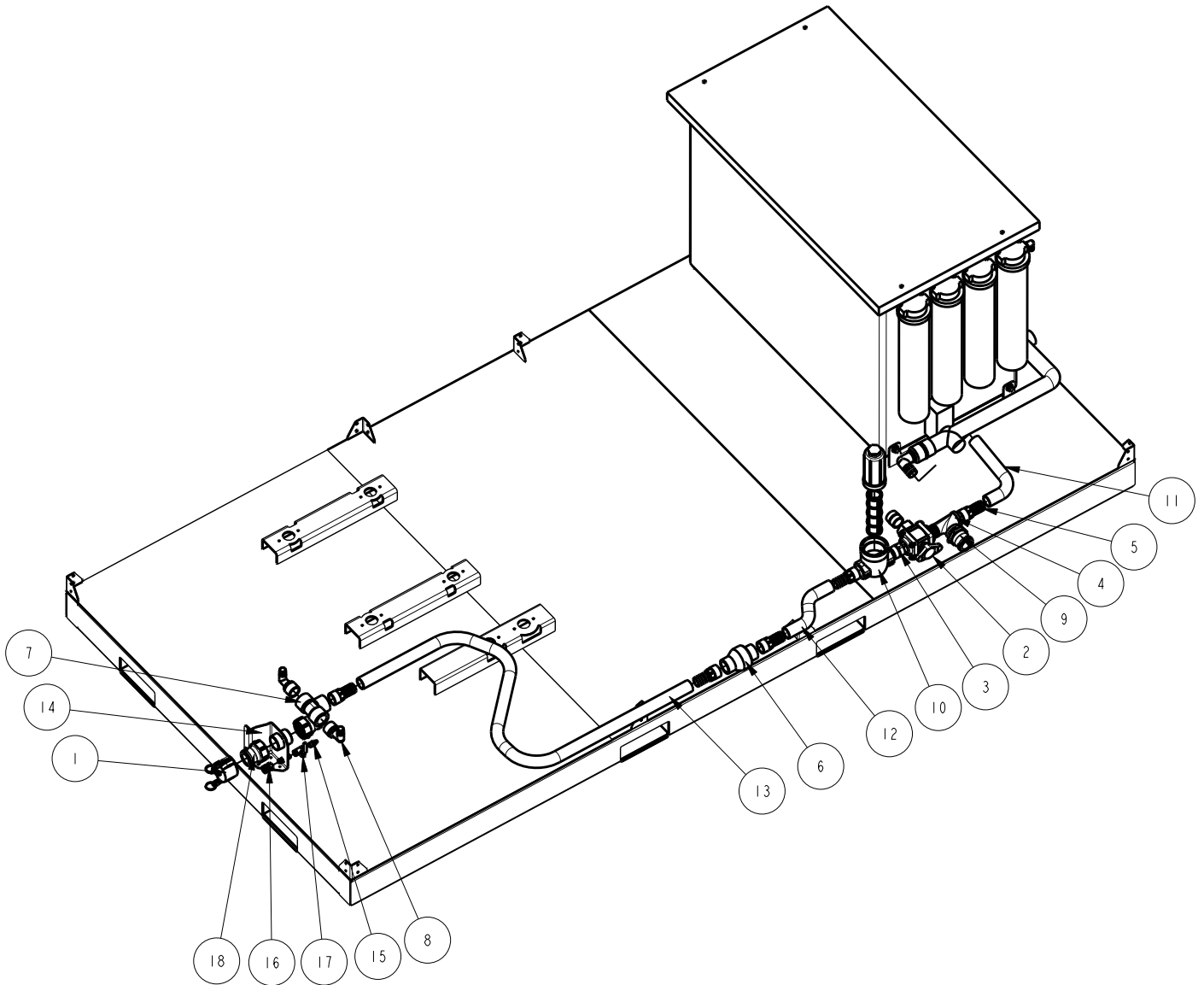
WATER RECYCLING GROUP-500590

WATER RECYCLING



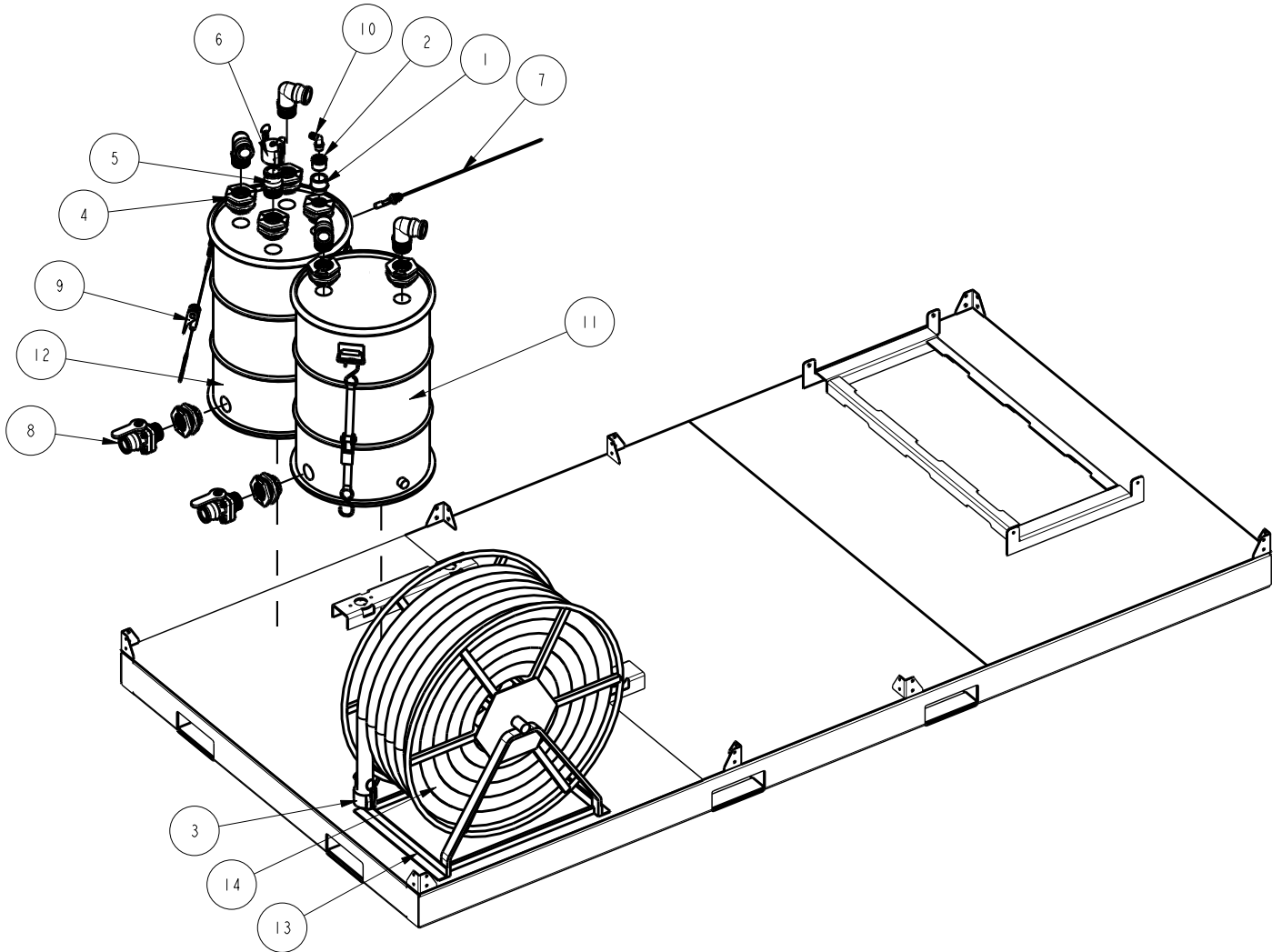
WATER RECYCLING			
ITEM	PART NO.	QTY	DESCRIPTION
1	500039	3	BKT-WATER TANK
-	500167	1	STRAP-10' RATCHET
2	500115	1	FTG-3/4" Pipe Tee, Female X Female X Male, 150 PSI
3	500119	1	FTG-1-1/2" Pipe Size, Coupling
4	500135	1	FTG- 1 1/2" NPT X 1 1/2" BARB 90
5	500170	1	ASSY - PLASTIC TANK 250 GALLONS
-	500133	1	SWITCH-FLOAT, 11/16"DIA X 3.84" LONG
6	500183	1	FTG-CONNECTOR 3/4 MPT X #8 JIC
7	3309051	3	FTG-3/4 90 DEG HOSE BARB
8	3337227	1	RECYCLING SYSTEM X-11
9	3400022	4	SCR-HEX 1/2-13 X 1.25 ZP
10	3400086	4	WASHER-FLAT 1/2 STANDARD ZP
11	3400087	6	WASHER 3/8 ID .81 OD X .065 THK
12	3400098	4	WSR-LOCK 1/2, ZP
13	3400101	6	WASHER-LOCK 3/8 SPLIT ZP
14	3400186	6	SCR-HEX 3/8-24 X 1.0 LG, ZP
-	3337228	2	COALESCING BLOCK X-11
-	3337229	1	POLISHING FILTERS X-11 PACK
-	3337230	7	FOAM FILTER X-11
-	3337231	1	OIL SKIMMER FILTER X-11
-	3337232	1	SUMP PUMP X-11
-	500197	4	FILTER HOUSING, #20, BLUE
-	500198	4	O-RING, #20 FILTER HOUSING
-	3320749	4	FTG-NIPPLE 3/8MPT-3/8MPTX2.0SS
-	3339883	4	HOSE REEL VALVE - NICKEL PLATED

SUCTION SIDE



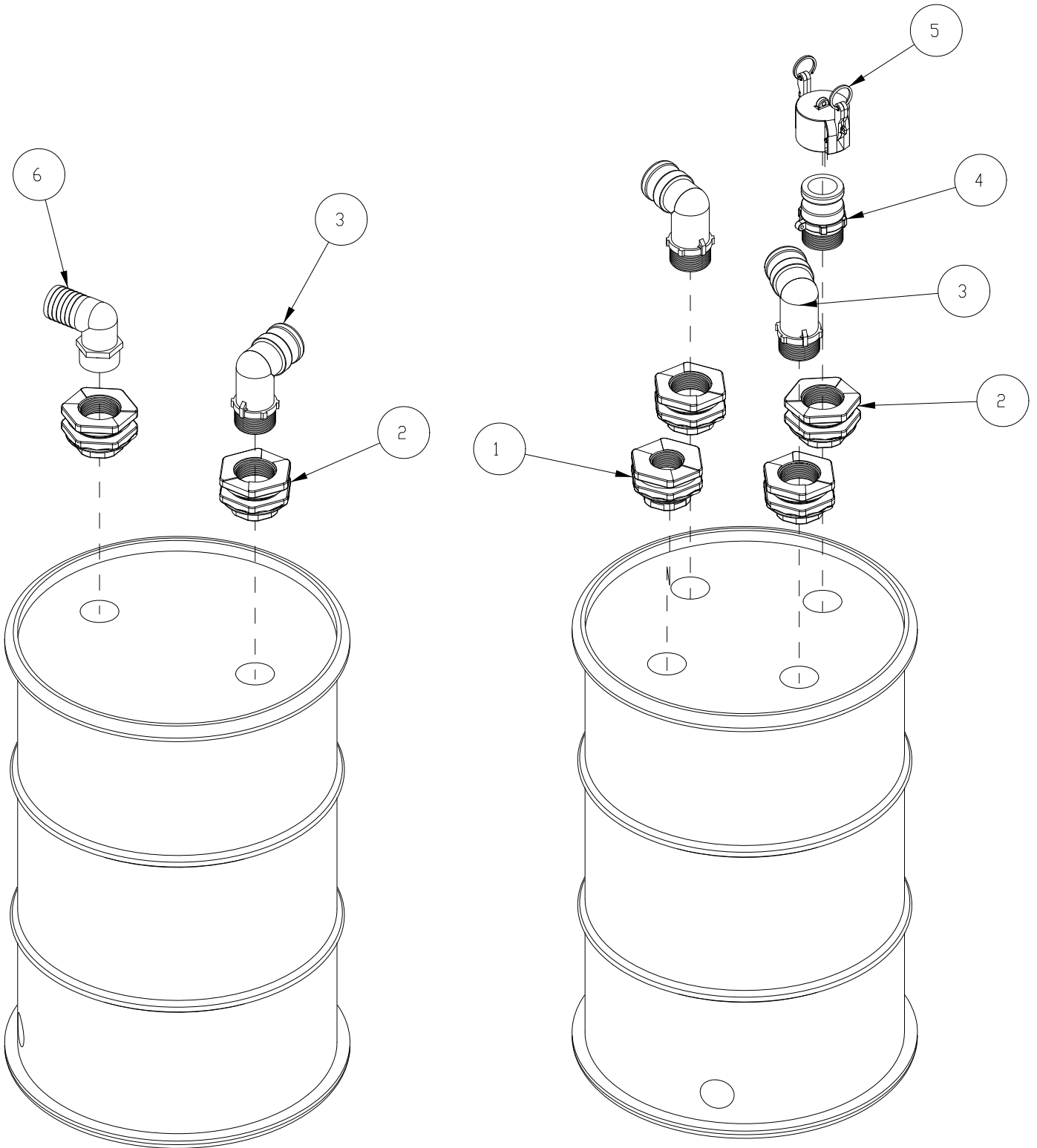
SUCTION SIDE			
ITEM	PART NO.	QTY	DESCRIPTION
1	500070	1	2" CAP W/LOCKING CAM ARMS
2	500114	1	Ball Valve, Bottom Load, Three Way
3	500116	2	FTG-PVC Nipple 1-1/2" Pipe X 1-3/4"
4	500117	1	FTG-1-1/2" Pipe Tee, Female X Female x Male
5	500118	5	FTG-Adapter for 1-1/2" ID HOSE
6	500129	1	VALVE-PVC Check Valve High Flow
7	500130	1	FTG-1-1/2" Pipe Size, Tee
8	500134	2	FTG-1 1/2" NPT X 1" BARB 90
9	500171	1	COUPLING CAM LOCK 2" TO 1 1/2 NPT
10	500195	1	FILTER-ASSY (INCLUDES FILTER)
-	500225	1	FILTER
11	500425	1	HOSE- 1 1/2"ID X 36"
12	500426	1	HOSE
13	500427	1	HOSE- 1 1/2"ID X 40"
14	502141	1	WDT - LATCH PLT, SINGLE VAC
15	3306220	1	FTG-CONN REMOTE OIL FILTER
16	3320487	1	FTG-QUICK DISCONNECT FEM QRE
17	3339883	1	HOSE REEL VALVE-NICKEL PLATE
18	3339930	2	COUPLING - STR F CAM LOCK BANJO

DRUMS WITH VAC HOSE



DRUMS WITH VAC HOSE			
ITEM	PART NO.	QTY	DESCRIPTION
1	500060	1	ADAPTER 1 1/2" X 1 1/2" NPT PVC
2	500061	1	BUSHING 1 1/2" X 3/4 NPT
3	500064	1	FEMALE COUPLER 2" HOSE SHANK
4	500067	2	FLANGE ASSY 2" POLY TANK
5	500069	1	MALE ADAPTER 2" MALE THREAD
6	500070	1	2" CAP W/LOCKING CAM ARMS
7	500133	1	SWITCH-FLOAT, 11/16"DIA X 3.84" LONG
8	500185	2	VALVE 2" MNTP X 2" BANJO COUPLER
9	500186	4	TIE DOWN STRAPS
10	3309051	1	FTG-3/4 90 DEG HOSE BARB
11	3337233	1	30 GAL DROP TANK
12	3337235	1	30 GAL DROP TANK W/AUTO PUMP OUT
13	3337236	1	REEL - 150' X 2.0" VACUUM HOSE
14	3339893	1	100' X 2" VACUUM HOSE WITH CUFFS
	3339894	1	50' X 2" VACUUM HOSE WITH CUFFS

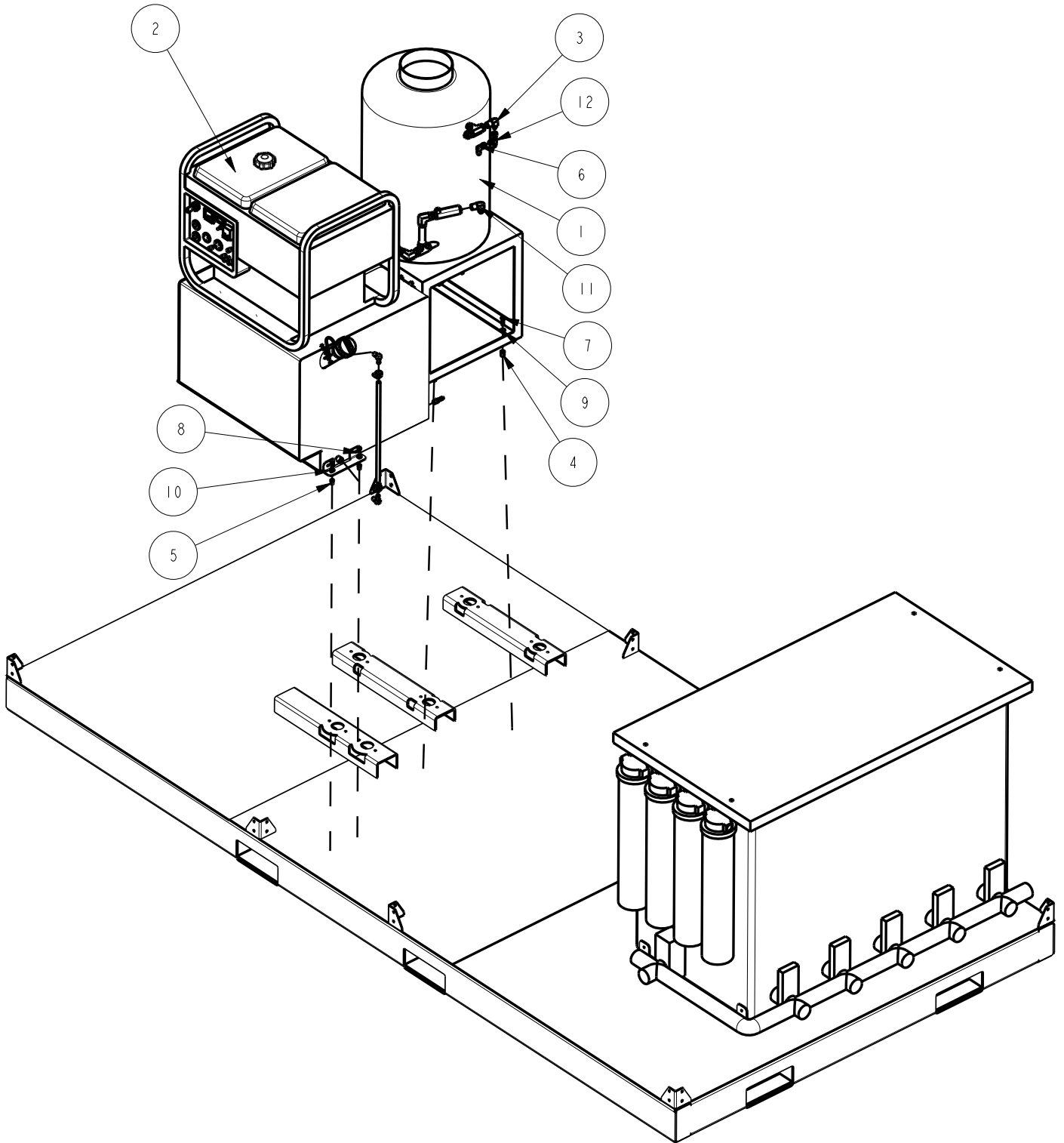
DRUMS



DRUMS			
ITEM	PART NO.	QTY	DESCRIPTION
1	500066	1	FLANGE ASSY 1 1/2" POLY TANK
2	500067	4	FLANGE ASSY 2" POLY TANK
3	500068	3	MALE ADAPTER 2" MPT 90 DEGREE
4	500069	1	MALE ADAPTER 2" MALE THREAD
5	500070	1	CAP 2" W/LOCKING CAM ARMS
6	500071	1	FTG-3/4 90 DEG HOSE BARB
-	500226	2	FILTER (1 PER DRUM)
-	500227	1	PUMP-SUMP

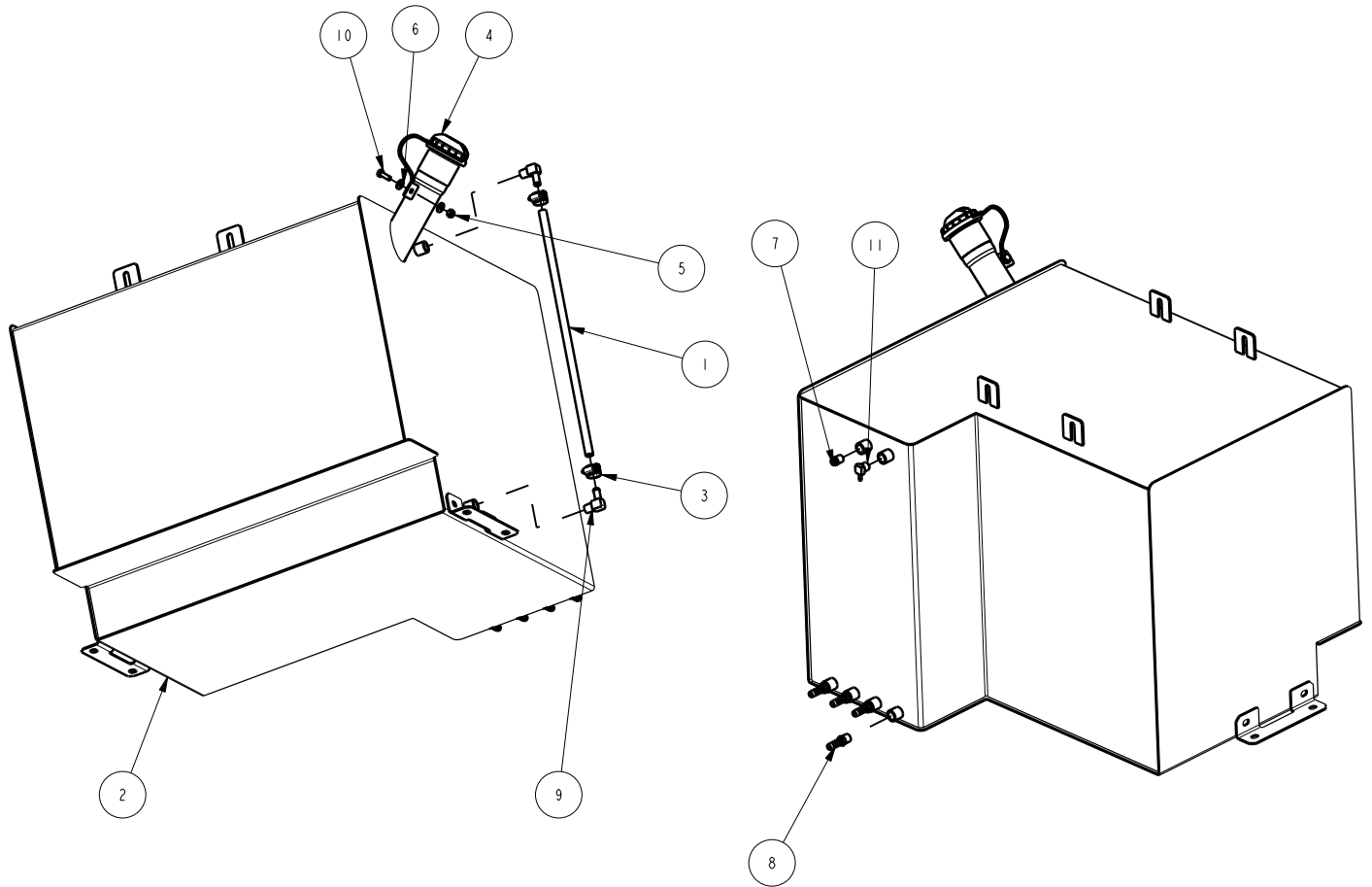
BURNER/FUEL GROUP-500051

BURNER AND FUEL TANK



BURNER AND FUEL TANK					
ITEM	PART NO.		QTY		DESCRIPTION
	DUAL	SINGLE	DUAL	SINGLE	
1	503120	500052	1		BURNER
-	500258		2	1	FILTER-BURNER FUEL
2	500139		1		GENERATOR - 3.5KW DSL
3	3306223		1		FTG-90 EL 1/2MP X 6JIC
4	3322190		4		INSERT 5/16-18 X .15 LG ZP
5	3322191		4		INSERT 1/4-20 X .165 LG ZP
6	3332426		2	1	FTG-C5506X6 SWNLE 90 DEG#6
7	3400035		4		SCR-HEX 5/16-18X1.00 ZP
8	3400042		4		SCR-HEX 1/4-20X.75 ZP
9	3400088		4		WASHER 5/16 ID .688 OD X .065 THK
10	3400089		6		WASHER 1/4 ID .63 OD X .065 THK
11	3400722		1		FTG-90 EL 1/2MP X 6JIC
12	3400851		2	1	FTG-TEE SWIVEL RUN 6JIC
-	500138		1		ASSY - DSL FUEL TANK, POWERBLAST

FUEL TANK



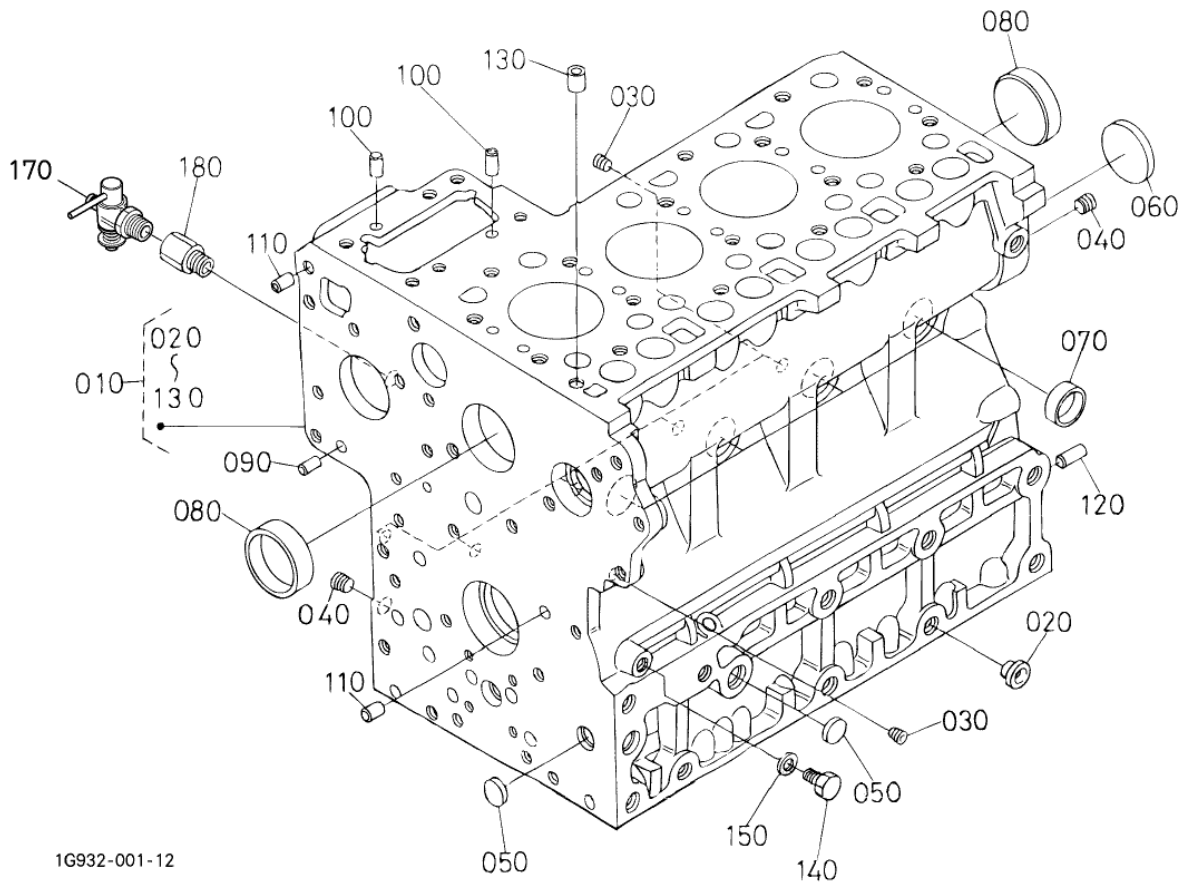
FUEL TANK			
ITEM	PART NO.	QTY	DESCRIPTION
1	500148	1	TUBE - FUEL TANK SIGHT GAUGE, 17.25"LG
2	500156	1	WDT - FUEL TANK, POWERBLAST
3	3302144	2	CLAMP-HOSE 1/2
4	3343413	1	CAP, FUEL TANK
5	3400081	1	NUT-HEX 1/4-20 ES ZP
6	3400089	2	WASHER 1/4 ID .63 OD X .065 THK
7	3400256	1	FTG-PIPE PLUG 1/4 MPT
8	3400261	4	FTG-HOSE BARB 1/4 NPT TO 3/8
9	3400793	2	FTG-90 DEG 3/8 BARB TO 1/4 NPT
10	3401480	1	SCR-HEX, 1/4-20X0.75 SS
11	3402022	1	FTG-90 1/4 MPT X 1/4 HOSE BARB
-	3500642	-	HOSE-FUEL LINE 3/8" NEOPRENE (SOLD PER FOOT)
-	3500137	-	HOSE-RETURN LINE(SOLD PER FOOT)

GENERATOR



GENERATOR			
ITEM	PART NO.	QTY	DESCRIPTION
-	500228	1	FILTER-OIL, GENERATOR
-	500229	1	FILTER-FUEL
-	500231	1	FILTER-FUEL CUP (UNDER GAS CAP)
-	500232	1	FILTER-AIR CLEANER
-	500233	1	BATTERY-GENERATOR

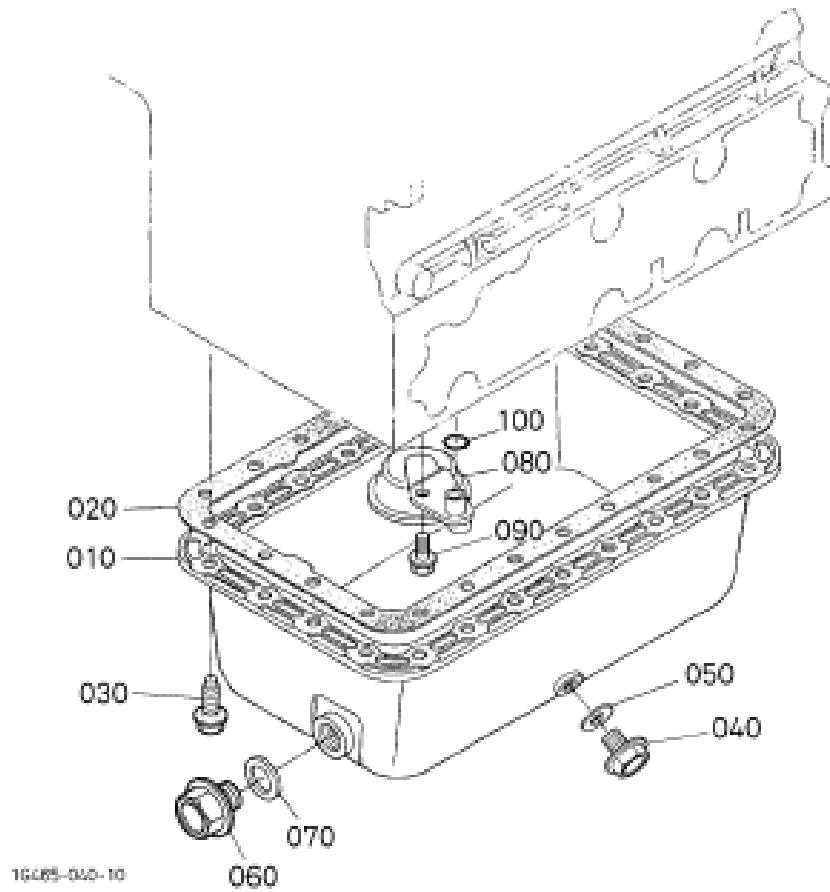
POWER-PLANT GROUP-500530
2203 KUBOTA ENGINE BLOCK ASSY



1G932-001-12

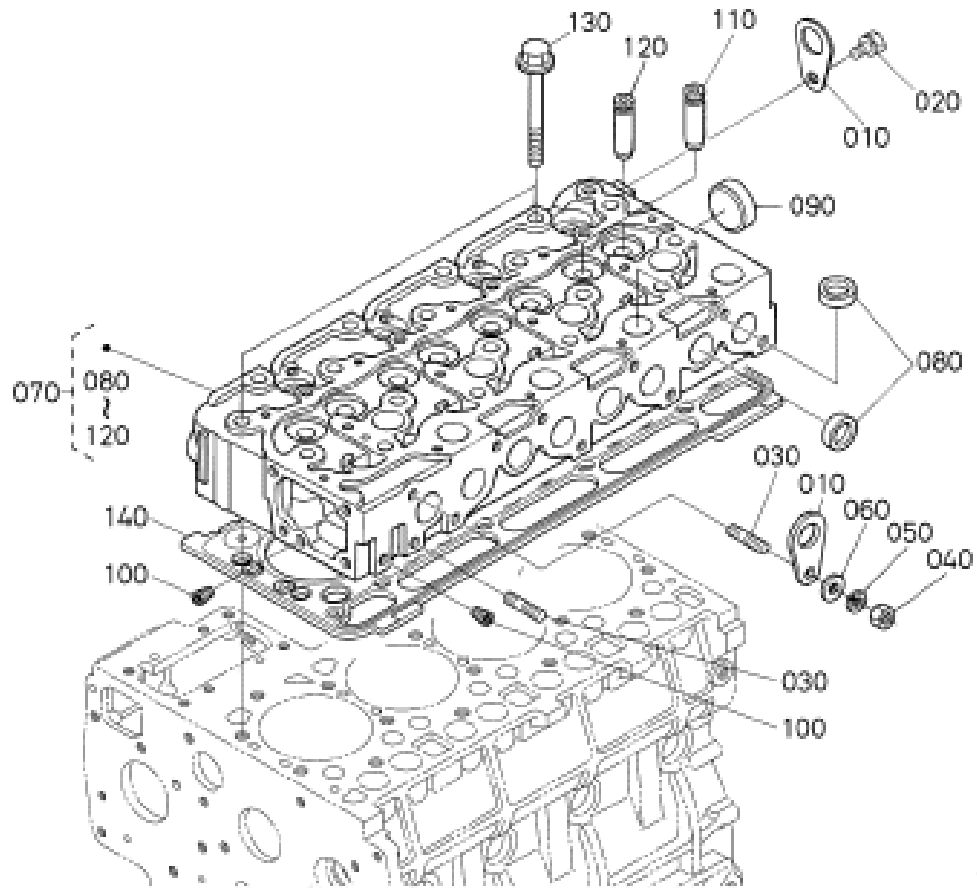
2203 KUBOTA ENGINE BLOCK ASSY			
ITEM	PART NO.	QTY	DESCRIPTION
010	3338322	1	COMP.CRANKCASE
020	3331581	2	PLUG-260
030	3331556	6	PLUG-20
040	3331557	2	PLUG-030
050	3331558	3	PLUG-040
060	3338323	1	PLUG,EXPANSION
070	3331560	6	CAP, SEALING -060
080	3331561	2	CAP, SEALING-070
090	3331562	2	PIN, STRAIGHT-080
100	3331563	3	PIN, STRAIGHT-090
110	3331564	2	PIN, STRAIGHT-100
120	3331565	1	PIN, STRAIGHT-110
130	3331566	1	PIN, PIPE-120
140	3338324	1	PLUG
150	3331569	1	GASKET-150
160	BLANK	-	NOT USED
170	3331567	1	COCK, DRAIN-130
180	3331579	1	JOINT, DRAIN COCK-240
PARTS WITH A --XXX-- ARE NOT SOLD SEPARATELY AND BLANKS ARE NOT USED			

2203 KUBOTA ENGINE OIL PAN



2203 KUBOTA ENGINE OIL PAN			
ITEM	PART NO.	QTY	DESCRIPTION
010	3303922	1	PAN-OIL KUBOTA (SP)
020	3338325	1	GASKET-OIL PAN
030	3338326	24	BOLT-FLANGE
040	3338327	1	PLUG-DRAIN
050	3338328	1	GASKET-OIL PAN
060	3331591	1	PLUG, DRAIN-090
070	3305252	1	WASHER-KUBOTA OIL DRAIN FTG
080	3331588	1	FILTER, OIL-060
090	3338329	1	BOLT-FLANGE
100	3338330	1	O-RING

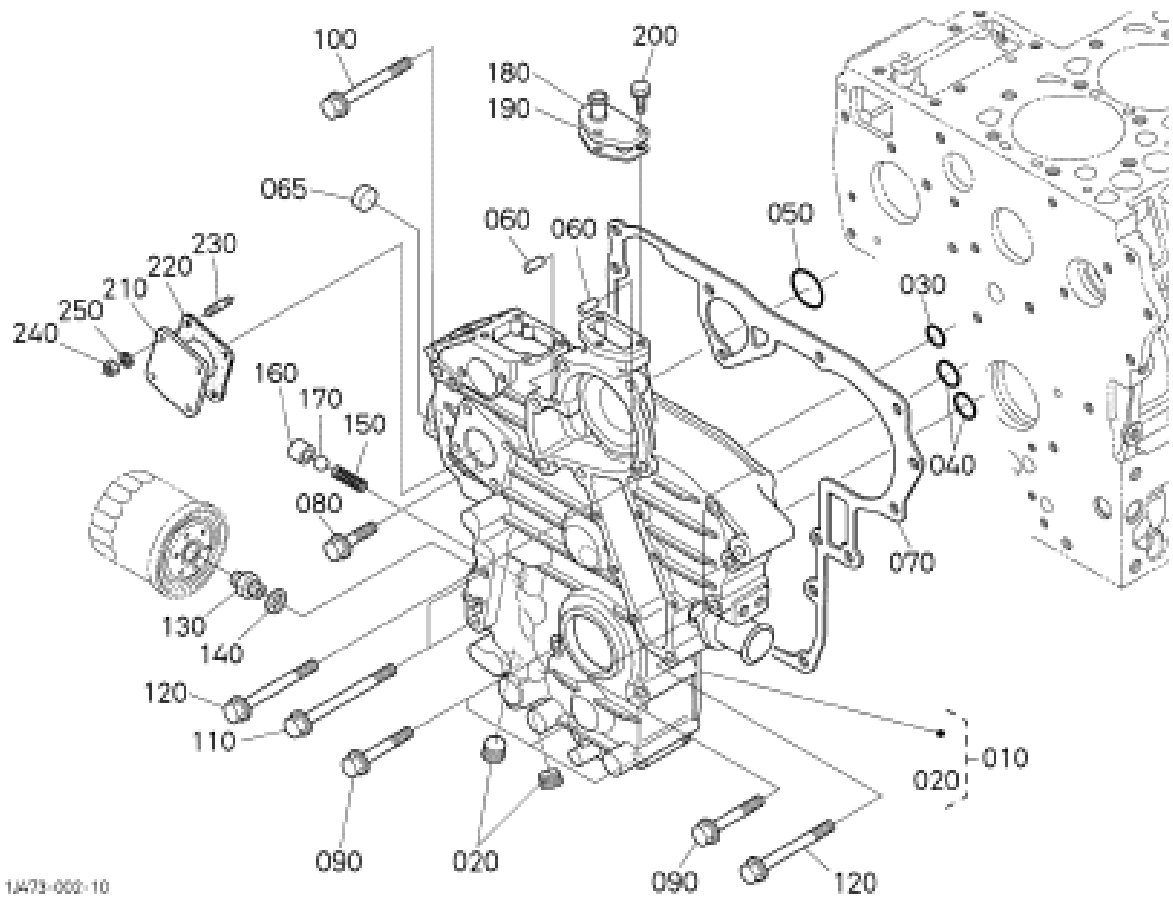
2203 KUBOTA ENGINE CYLINDER HEAD



1/664-002-10

2203 KUBOTA ENGINE CYLINDER HEAD			
ITEM	PART NO.	QTY	DESCRIPTION
010	3331593	2	HOOK, ENGINE -010
020	3331595	1	BOLT-030
030	3331596	2	STUD-040
040	3331597	1	NUT-050
050	3338331	1	WASHER-SPRING
060	3331599	1	WASHER, PLAIN -070
070	3334291	1	CYL HEAD COMPLETE KBA 2203 EMIS COMP
080	3331603	12	CAP, SEALING-090
090	3331604	1	CAP, SEALING-100
100	3331605	2	PLUG-110
110	3331606	4	GUIDE, INLET VALVE -120
120	3338332	4	GUIDE-VALVE EXHAUST
130	3331608	18	BOLT, CYLINDER HEAD -140
140	3338333	1	GASKET-CYLINDER HEAD (1.15 MM)
140	3334292	1	GASKET-CYL HEAD KBA 2203 EMIS COMP (1.20 MM)

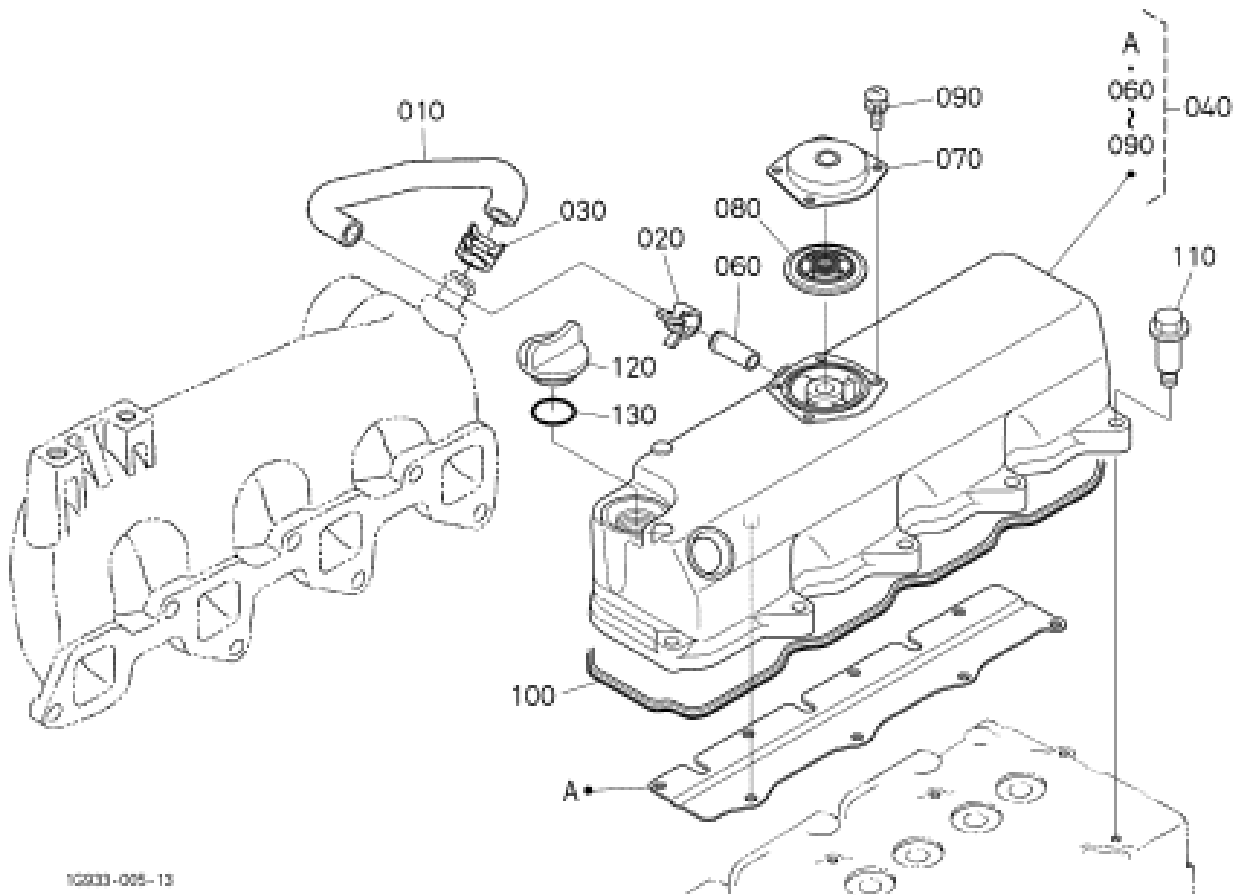
2203 KUBOTA ENGINE GEAR CASE



1473-000-10

2203 KUBOTA ENGINE GEAR CASE			
ITEM	PART NO.	QTY	DESCRIPTION
010	3334299	1	GEAR CASE COMPLETE KBA 2203 EMIS COMP
020	--XXX--	-	NOT SOLD SEPARATELY
030	3338334	1	O-RING
040	3338335	2	O-RING
050	3338336	1	O-RING
060	3331564	2	PIN, STRAIGHT-100
065	3334300	1	PLUG-WELCH KBA 2203 EMIS COMP
070	3334301	1	GASKET-TIMING GEAR CASE KBA 2203 EMIS
080	3338337	1	BOLT-FLANGE
090	3338338	7	BOLT-FLANGE
100	3338339	1	BOLT-FLANGE
110	3338340	2	BOLT-FLANGE
120	3338341	4	BOLT-FLANGE
130	--XXX--	-	NOT SOLD SEPARATELY
140	--XXX--	-	NOT SOLD SEPARATELY
150	3331546	1	BURNER- ELBOW
160	3331647	1	SEAT, VALVE-200
170	3331648	1	BALL-210
180	3331649	1	FLANGE, WATER RETURN-220
190	3338342	1	GASKET-RETURN FLANGE
200	3331652	3	BOLT-240
210	3331621	1	COVER-340
220	3338343	1	GASKET-HOUR METER
230	3331624	4	STUD-360
240	3331620	4	NUT-330
250	3331575	4	WASHER, SPRING -200

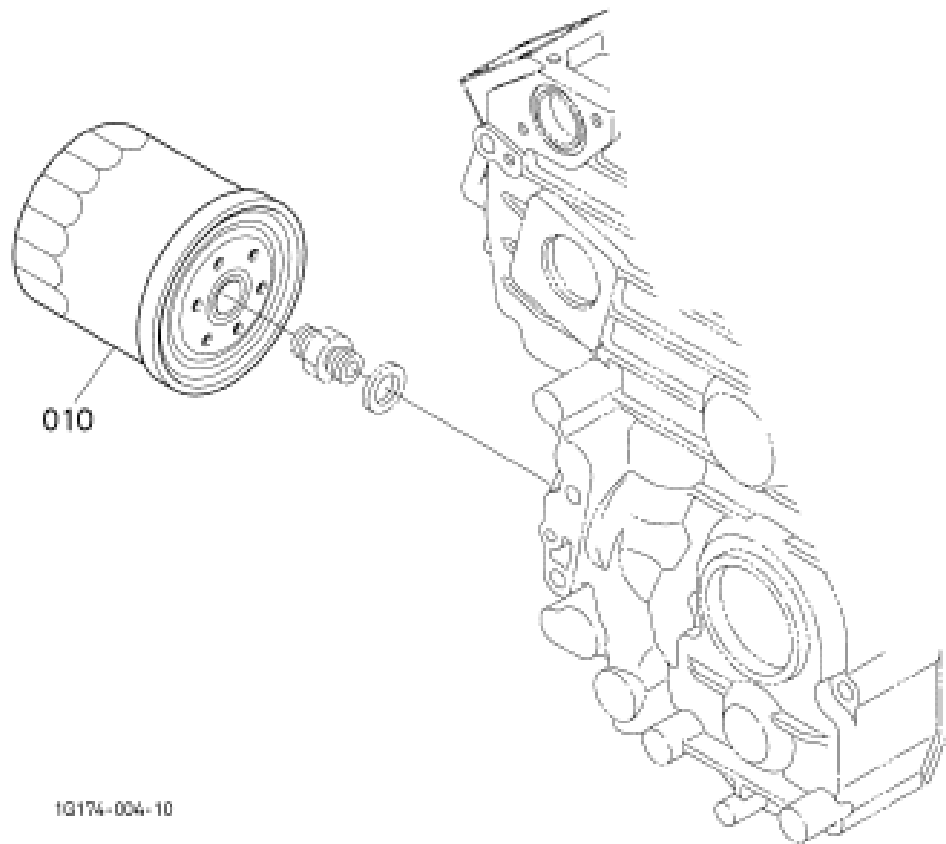
2203 KUBOTA ENGINE HEAD COVER



1G2033-005-13

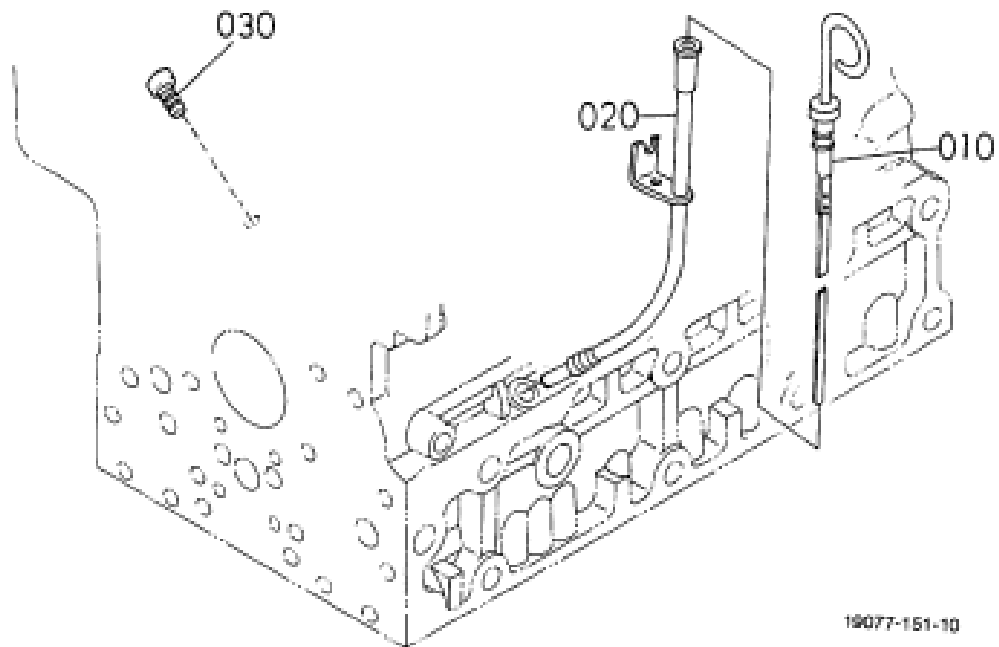
2203 KUBOTA ENGINE HEAD COVER			
ITEM	PART NO.	QTY	DESCRIPTION
010	3334282	1	TUBE-BREATHER KBA 2203 EMIS COMP
020	3334283	1	CLAMP-BREATHER TUBE KBA 2203 EMIS COMP
030	3334284	1	CLAMP-BREATHER TUBE KBA 2203 EMIS COMP
040	3334285	1	COVER-CYL HEAD KBA 2203 EMIS COMP
050	BLANK	-	NOT USED
060	3332027	1	PIPE WATER RETURN -020
070	3334287	1	COVER-BREATHER KBA 2203 EMIS COMP
080	3334288	1	BREATHER-VALVE COMPLE KBA 2203 EMISCOMP
090	3338344	4	SCREW- WITH WASHER
100	3334289	1	GASKET-CYL HEAD COVER KBA 2203 EMIS COMP
110	3334290	10	BOLT-CYL HEAD COV KBA 2203 EMIS COMP
120	PBK15852- 33140	1	PLUG-OIL HEAD COVER
130	3338345	1	O-RING

2203 KUBOTA ENGINE OIL FILTER

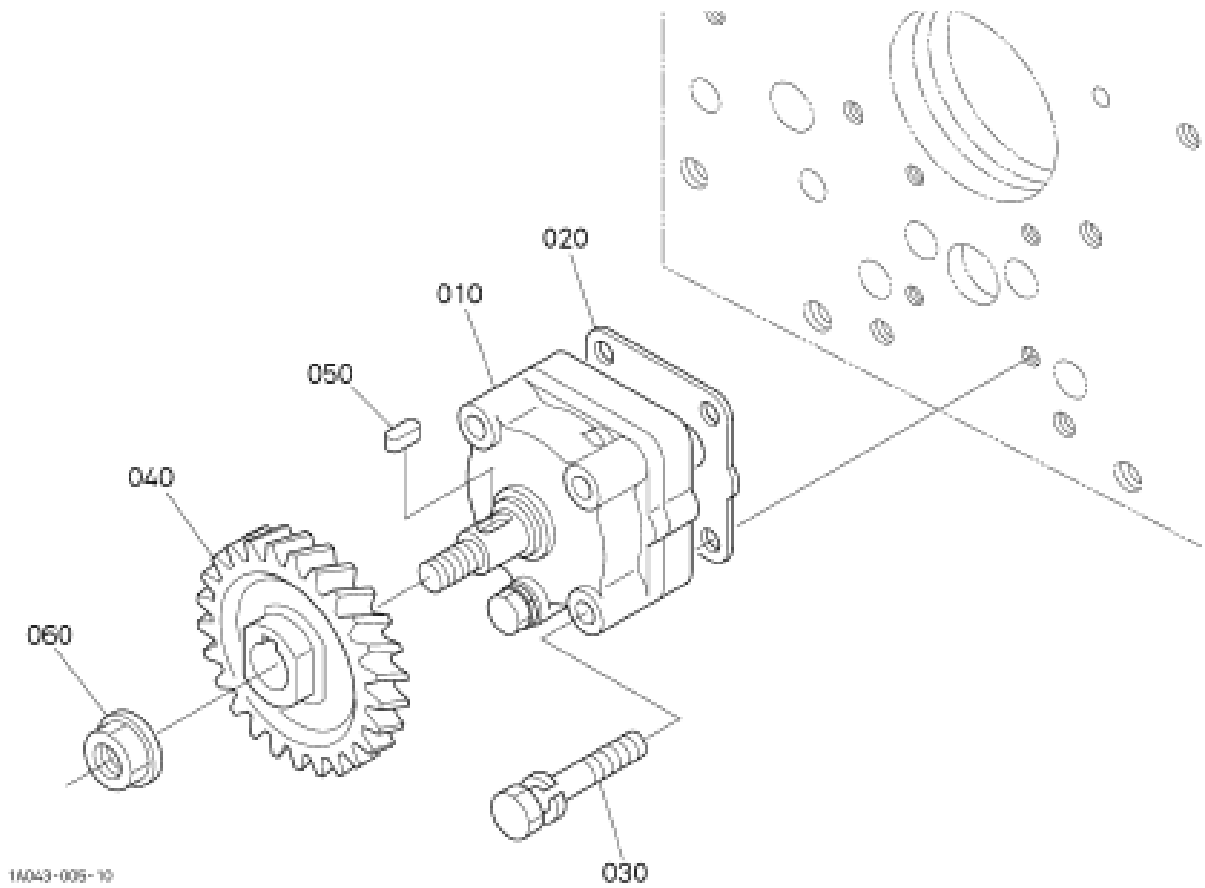


2203 KUBOTA ENGINE OIL FILTER			
ITEM	PART NO.	QTY	DESCRIPTION
010	3331667	1	CARTRIDGE, OIL FILTER -010

2203 KUBOTA ENGINE DIPSTICK AND GUIDE

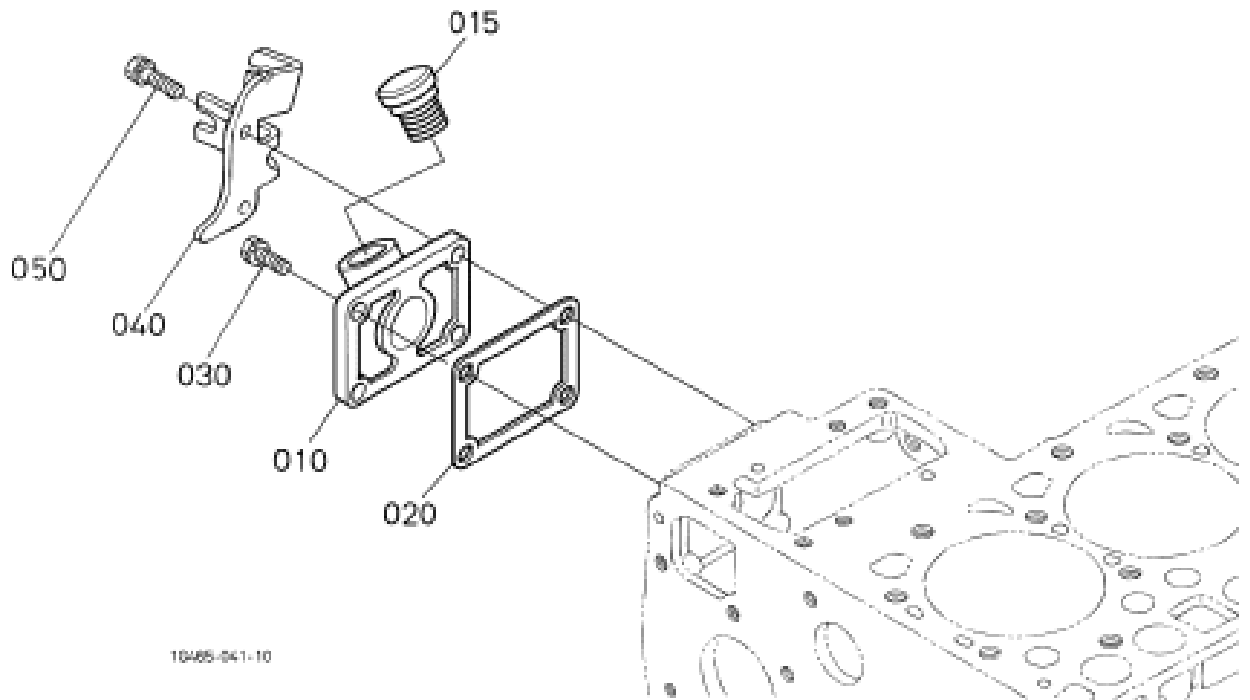


2203 KUBOTA ENGINE DIPSTICK AND GUIDE			
ITEM	PART NO.	QTY	DESCRIPTION
010	3338346	1	GAUGE-OIL
020	3329916	1	V2203-KUBOTA TUBE DIPSTICK(SP)
030	3336926	1	PLUG, OIL GAUGE KUBOTA V1505



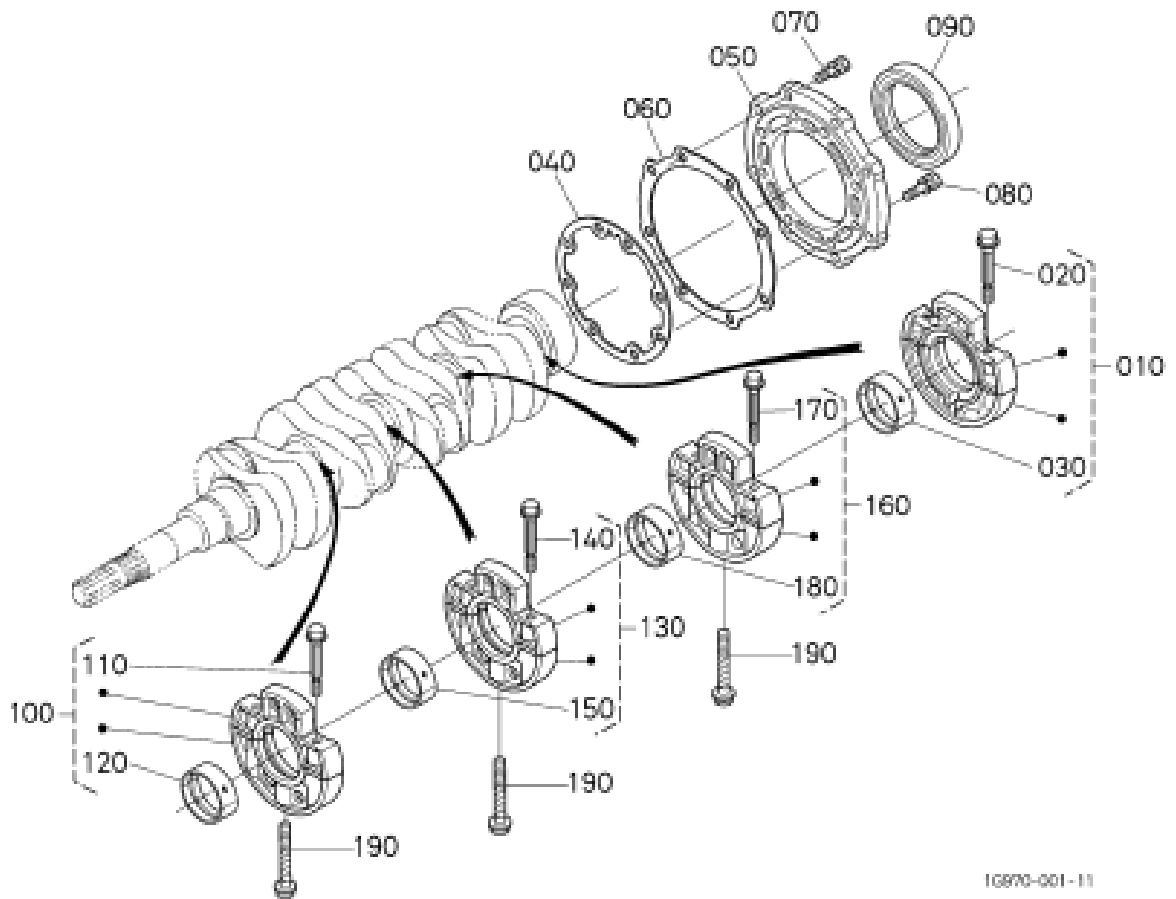
2203 KUBOTA ENGINE OIL PUMP			
ITEM	PART NO.	QTY	DESCRIPTION
010	3338347	1	ASSY-OIL PUMP
020	3338348	1	GASKET-OIL PUMP
030	3338349	4	BOLT
040	3331576	1	GEAR, OIL PUMP DRIVE-210
050	3331577	1	KEY, FEATHER-220
060	3331578	1	NUT, FLANGE-230

2203 KUBOTA ENGINE OIL FILLER FLANGE



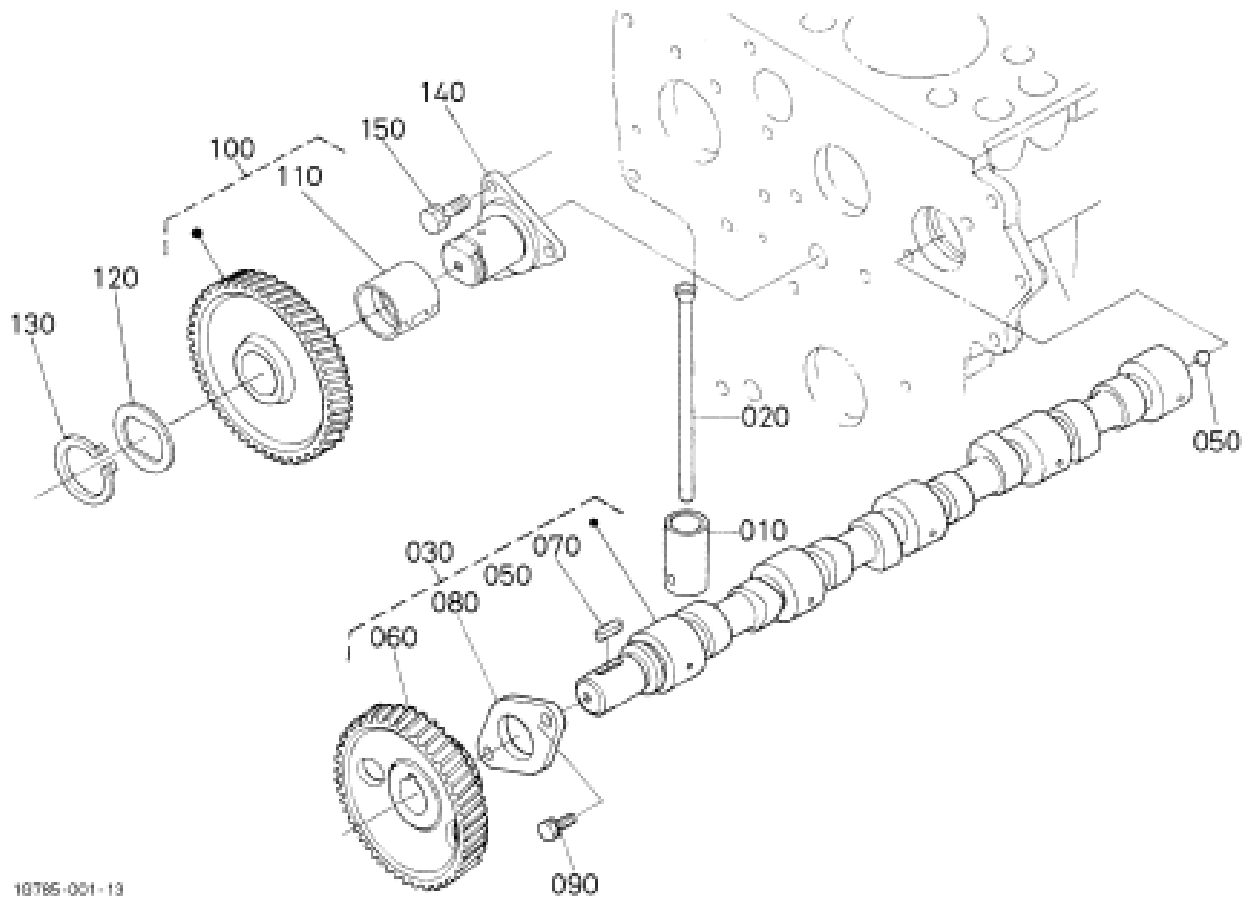
2203 KUBOTA ENGINE OIL FILLER FLANGE			
ITEM	PART NO.	QTY	DESCRIPTION
010	--XXX--	-	NOT SOLD SEPARATELY
015	3338350	1	PLUG-OIL FILLER
020	3338351	1	GASKET-PUMP COVER
030	3331776	2	BOLT-150
040	3338352	1	BRACKET,ACCEL.CABLE
050	3338353	2	BOLT

2203 KUBOTA ENGINE MAIN BEARING CASE



2203 KUBOTA ENGINE MAIN BEARING CASE			
ITEM	PART NO.	QTY	DESCRIPTION
010	3338354	1	ASSY-BRG. CASE WHEEL
020	--XXX--	-	NOT SOLD SEPARATELY
030	--XXX--	-	NOT SOLD SEPARATELY
040	3338355	1	GASKET-BEARING CASE
050	3338356	1	COVER-BERING CASE
060	3338357	1	GASKET- CASE COVER
070	3331507	8	BOLT-060
080	3331508	8	BOLT-070
090	3338358	1	SEAL-OIL
100	3338359	1	ASSY-BRG. CASE MAIN
110	--XXX--	-	NOT SOLD SEPARATELY
120	--XXX--	-	NOT SOLD SEPARATELY
130	3338360	1	ASSY BRG.CASE,MAIN
140	--XXX--	-	NOT SOLD SEPARATELY
150	--XXX--	-	NOT SOLD SEPARATELY
160	3338361	1	ASSY BRG.CASE,MAIN
170	--XXX--	-	NOT SOLD SEPARATELY
180	--XXX--	-	NOT SOLD SEPARATELY
190	3331512	3	BOLT, BEARING CASE-110

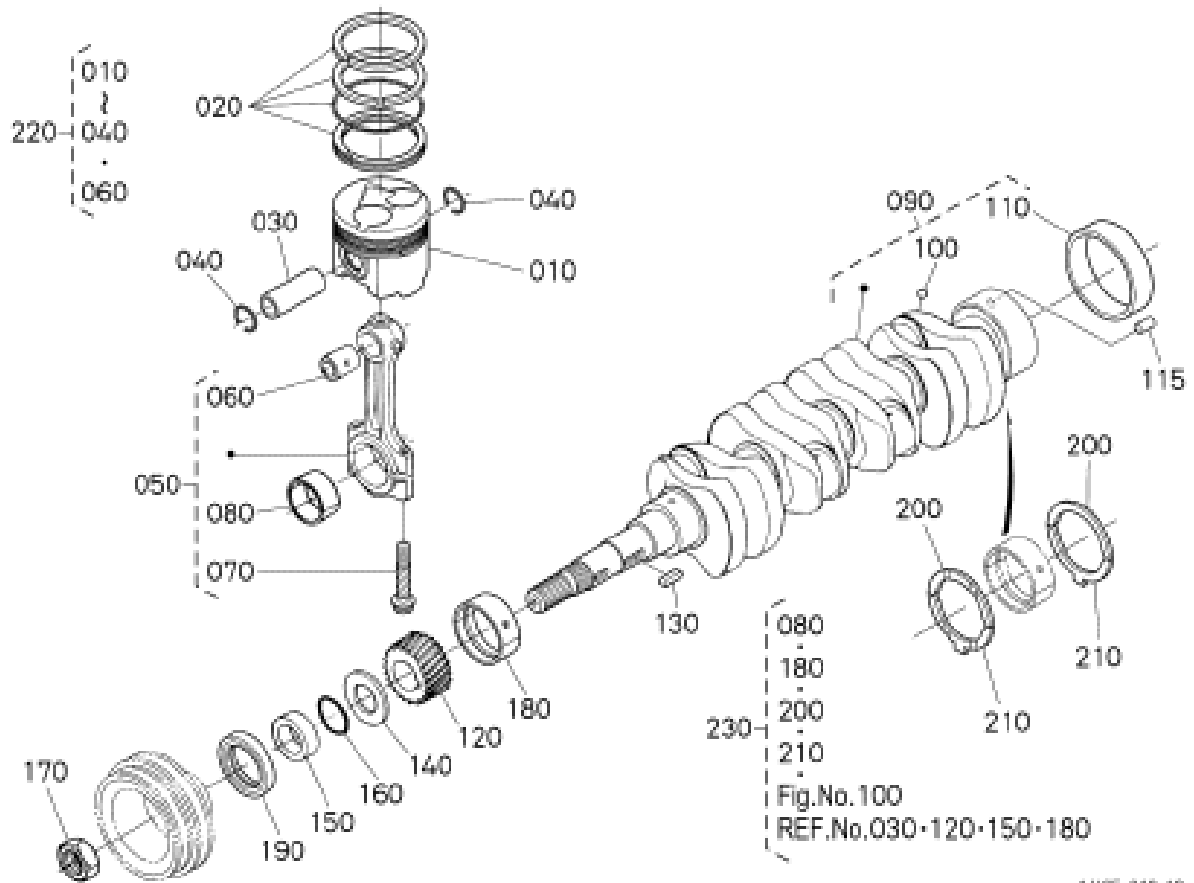
2203 KUBOTA ENGINE CAMSHAFT AND IDLE GEAR SHAFT



18785-001-13

2203 KUBOTA ENGINE CAMSHAFT AND IDLE GEAR SHAFT			
ITEM	PART NO.	QTY	DESCRIPTION
010	3331513	8	TAPPET-010
020	3331514	8	PUSH ROD -020
030	3338362	1	ASSY-CAMSHAFT
040	BLANK	-	NOT USED
050	3331692	1	BALL-100
060	--XXX--	-	NOT SOLD SEPARATELY
070	3331519	1	KEY, FEATHER-070
080	3331670	1	STOPPER, CAMSHAFT-080
090	3331671	2	BOLT-090
100	3338363	1	COMP. GEAR IDLE
110	--XXX--	-	NOT SOLD SEPARATELY
120	--XXX--	-	NOT SOLD SEPARATELY
130	--XXX--	-	NOT SOLD SEPARATELY
140	--XXX--	-	NOT SOLD SEPARATELY
150	3331671	3	BOLT-090

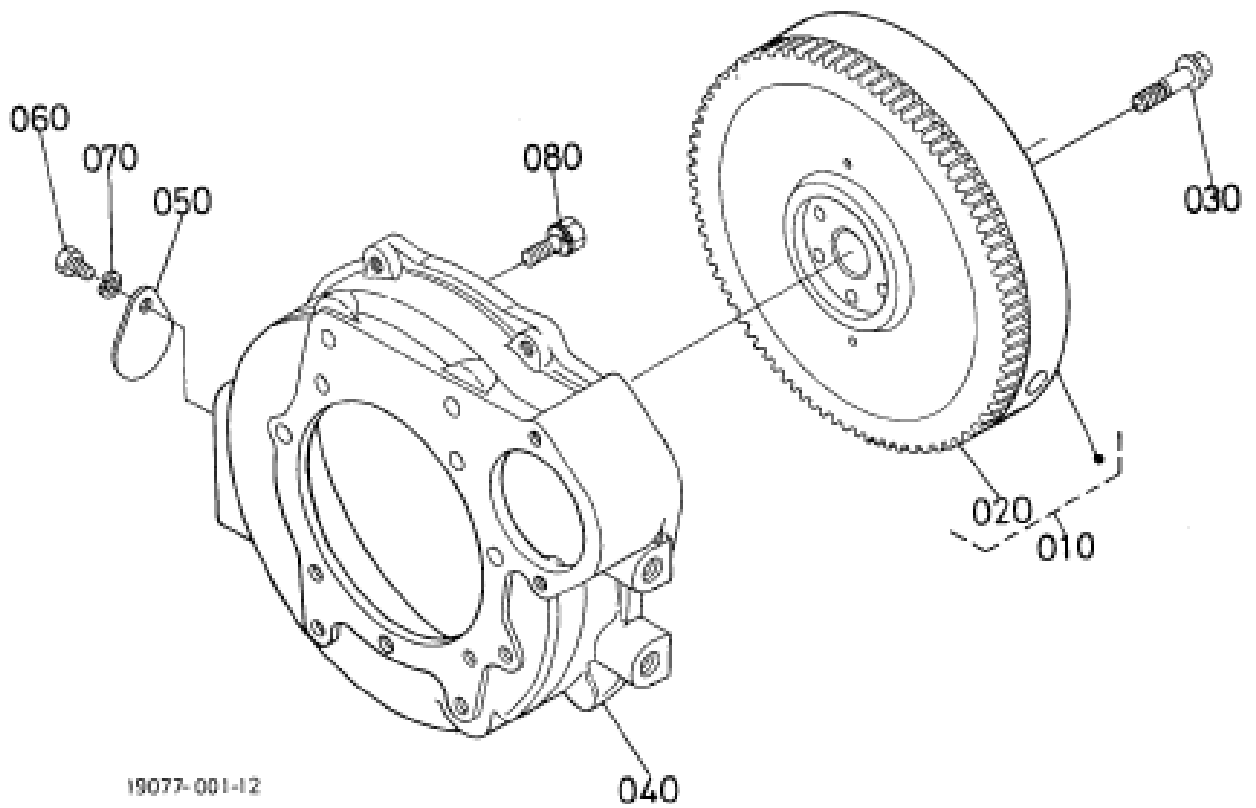
2203 KUBOTA ENGINE PISTON AND CRANKSHAFT



1JMS-013-10

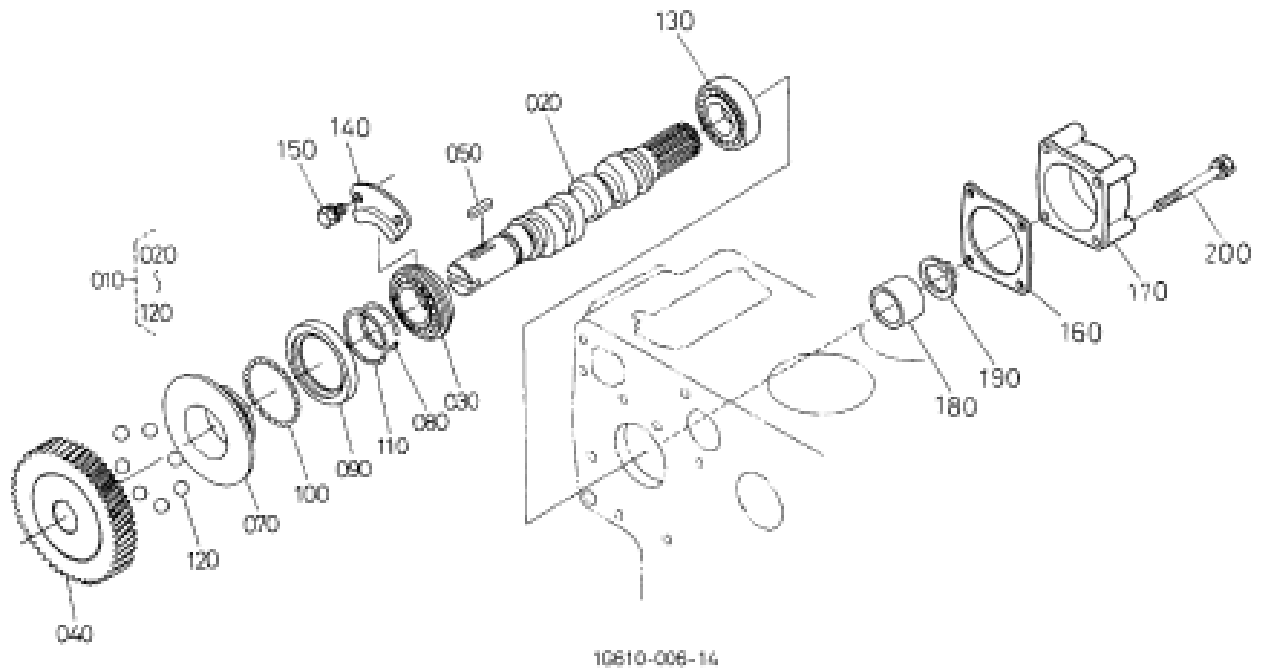
2203 KUBOTA ENGINE PISTON AND CRANKSHAFT			
ITEM	PART NO.	QTY	DESCRIPTION
010	--XXX--	-	NOT SOLD SEPARATELY
020	3338364	4	ASSY-PISTON RING (STD.)
020	3338365	4	ASSY-PISTON RING (+0.25 MM)
030	--XXX--	-	NOT SOLD SEPARATELY
040	--XXX--	-	NOT SOLD SEPARATELY
050	3331685	4	ASSY CONNECTING ROD-050
060	3331686	4	BUSH, PISTON PIN-060
070	3331687	8	BOLT, CONNECTING ROD-070
080	3331688	4	METAL, CRANKPIN STD SET
090	3338366	1	COMP. CRANKSHAFT
100	3331692	4	BALL-100
110	3329732	1	0.2MM SLEEVE CRANKSHAFT
120	--XXX--	-	NOT SOLD SEPARATELY
130	--XXX--	-	NOT SOLD SEPARATELY
140	3331696	1	SLINGER, OIL-150
150	3331697	1	COLLAR, CRANKSHAFT-160
160	3331698	1	O RING - 170
170	--XXX--	-	NOT SOLD SEPARATELY
180	--XXX--	-	NOT SOLD SEPARATELY
190	3330290	1	KBA-V1902 SEAL OIL
200	--XXX--	-	NOT SOLD SEPARATELY
210	--XXX--	-	NOT SOLD SEPARATELY
220	3338367	4	KIT-PISTON (STD.)
220	3338368	4	KIT-PISTON (+0.25 MM)
230	3338369	1	KIT-METAL ENGINE (STD.)
230	3338370	1	KIT-METAL ENGINE (-0.20 MM/+0.20 MM)
230	3338371	1	KIT-METAL ENGINE (-0.40 MM/+0.40 MM)

2203 KUBOTA ENGINE FLYWHEEL



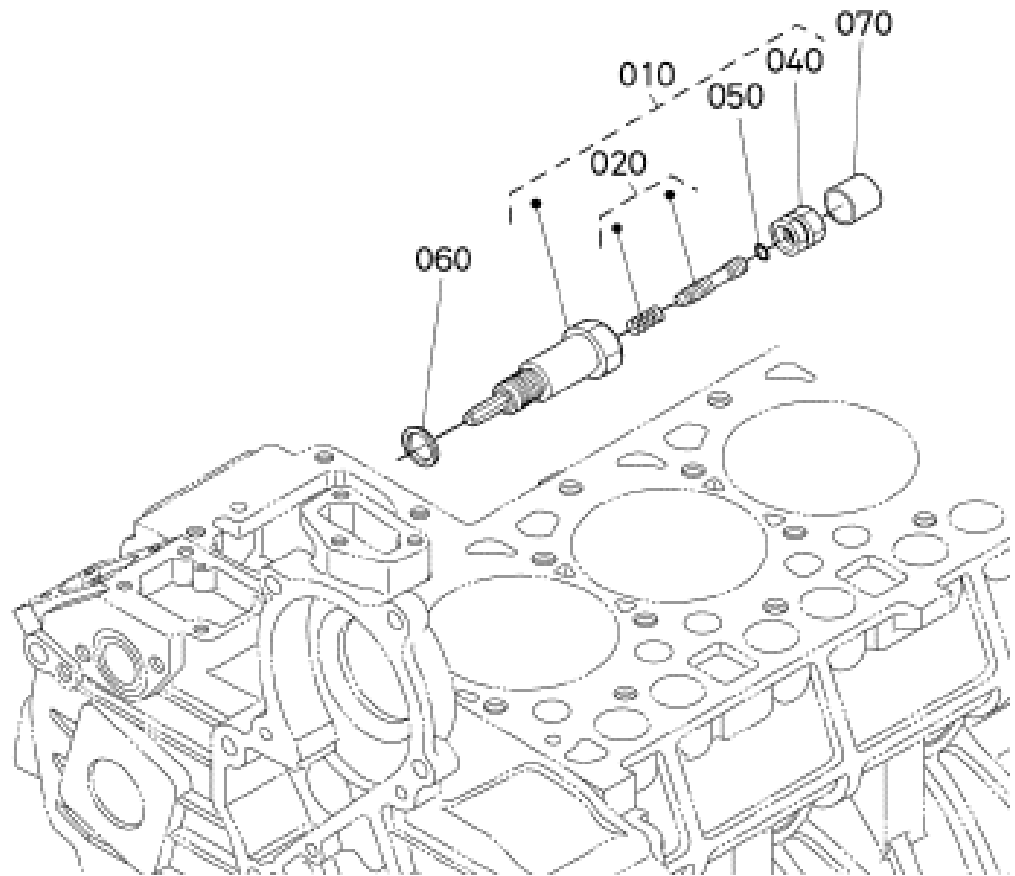
2203 KUBOTA ENGINE FLYWHEEL			
ITEM	PART NO.	QTY	DESCRIPTION
010	3338372	1	COMP. FLYWHEEL
020	3331715	1	GEAR, RING-020
030	3331716	6	BOLT, FLYWHEEL-030
040	3331717	1	HOUSING, FLYWHEEL-040
050	3331718	1	COVER-050
060	3331719	1	BOLT-060
070	3331598	1	WASHER, SPRING-060
080	3331721	11	BOLT, F/HOUSING-080

2203 KUBOTA ENGINE FUEL CAMSHAFT AND GOVERNOR SHAFT



2203 KUBOTA ENGINE FUEL CAMSHAFT AND GOVERNOR SHAFT			
ITEM	PART NO.	QTY	DESCRIPTION
010	3338373	1	ASSY-CAMSHAFT FUEL
020	--XXX--	-	NOT SOLD SEPARATELY
030	3331739	1	BEARING, BALL-030
040	3331740	1	GEAR, INJECTION PUMP-040
050	3331741	1	KEY, FEATHER-050
060	BLANK	-	NOT USED
070	3331743	1	SLEEVE, GOVERNOR
080	3331744	1	CIR-CLIP, GOV. SLEEVE-080
090	3331745	1	CASE, GORERNOIR BALL-090
100	3331746	39	BALL-100
110	3331747	1	CIR-CLIP-110
120	3331748	7	BALL-120
130	--XXX--	-	NOT SOLD SEPARATELY
140	3331750	1	STOPPER,FUEL.C/SHAFT-140
150	3331589	2	BOLT-070
160	3338374	1	GASKET
170	--XXX--	-	NOT SOLD SEPARATELY
180	--XXX--	-	NOT SOLD SEPARATELY
190	--XXX--	-	NOT SOLD SEPARATELY
200	3331757	4	BOLT-200

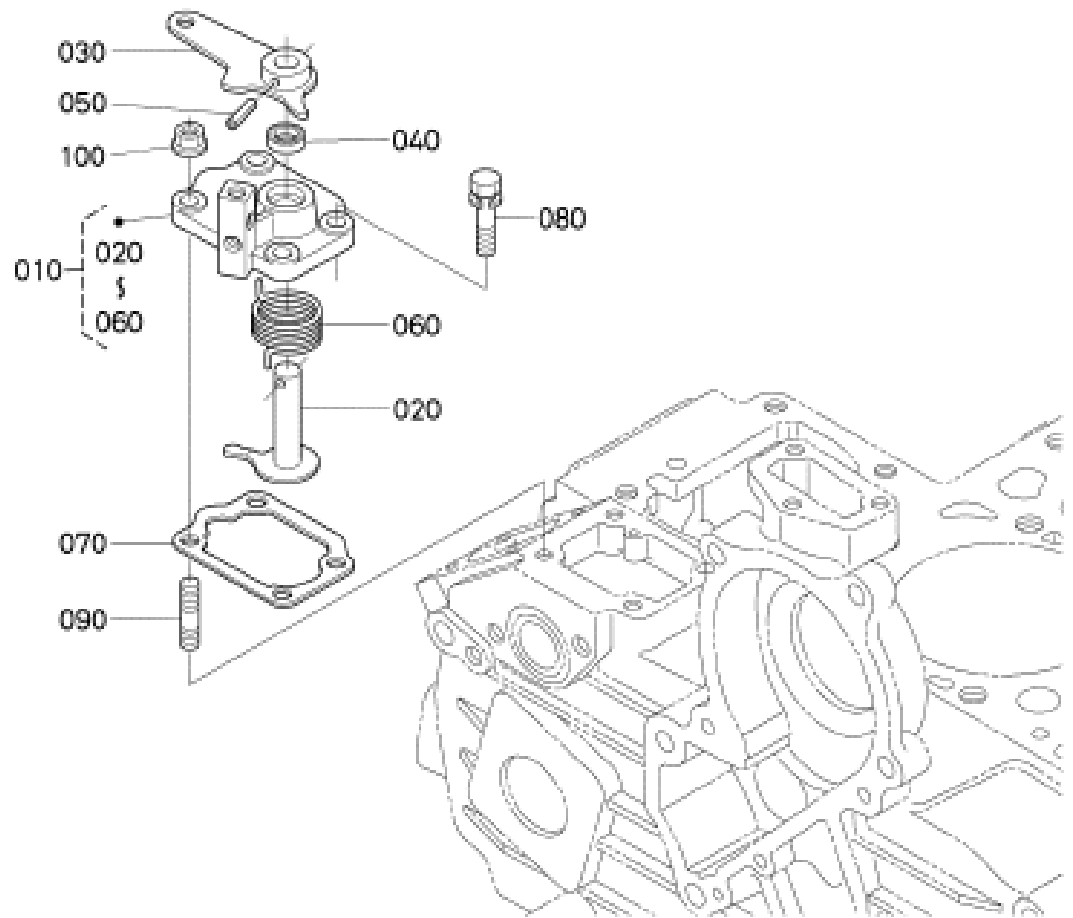
2203 KUBOTA ENGINE IDLE APPARATUS



1G176-005-11

2203 KUBOTA ENGINE IDLE APPARATUS			
ITEM	PART NO.	QTY	DESCRIPTION
010	3338375	1	APPARATUS-IDLING
020	--XXX--	-	NOT SOLD SEPARATELY
030	BLANK	-	NOT USED
040	--XXX--	-	NOT SOLD SEPARATELY
050	--XXX--	-	NOT SOLD SEPARATELY
060	3338376	1	GASKET
070	--XXX--	-	NOT SOLD SEPARATELY

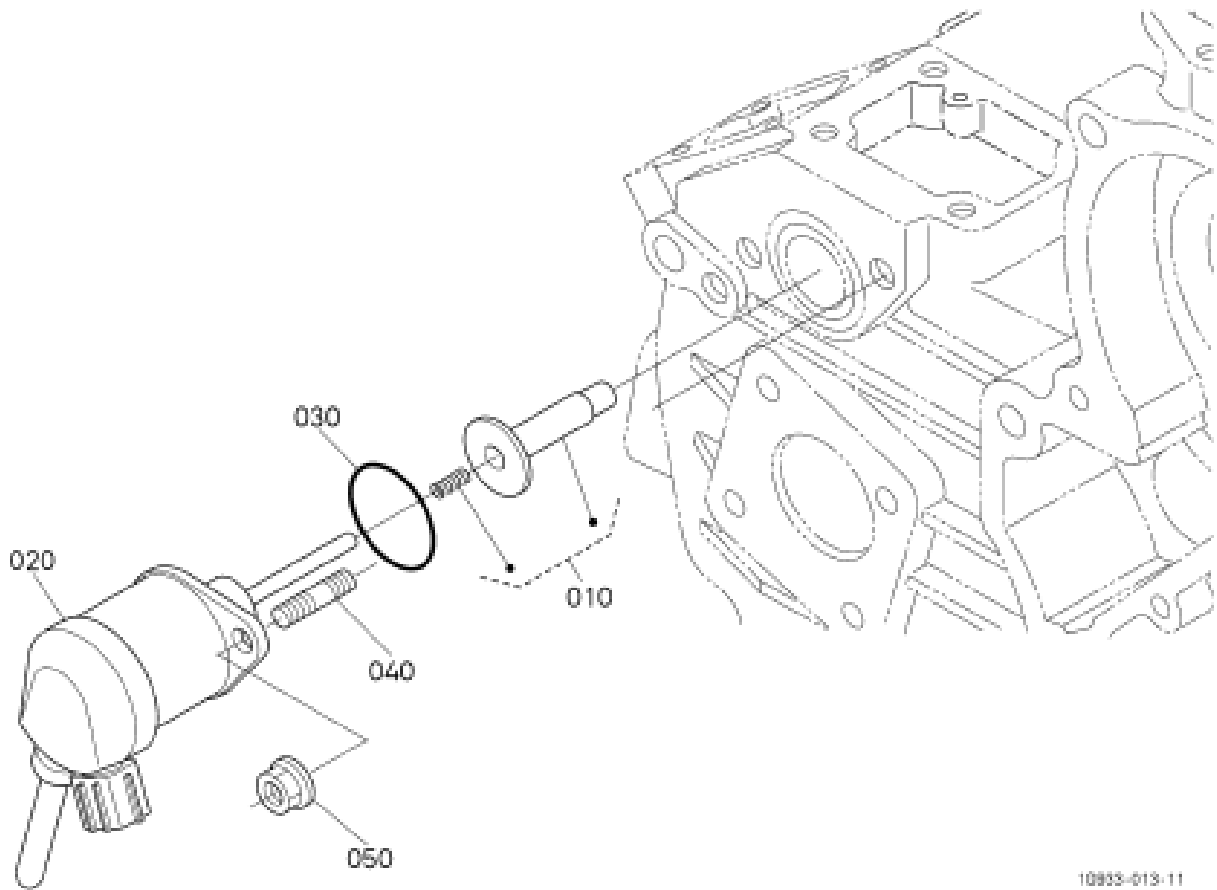
2203 KUBOTA ENGINE STOP LEVER



19345-095-10

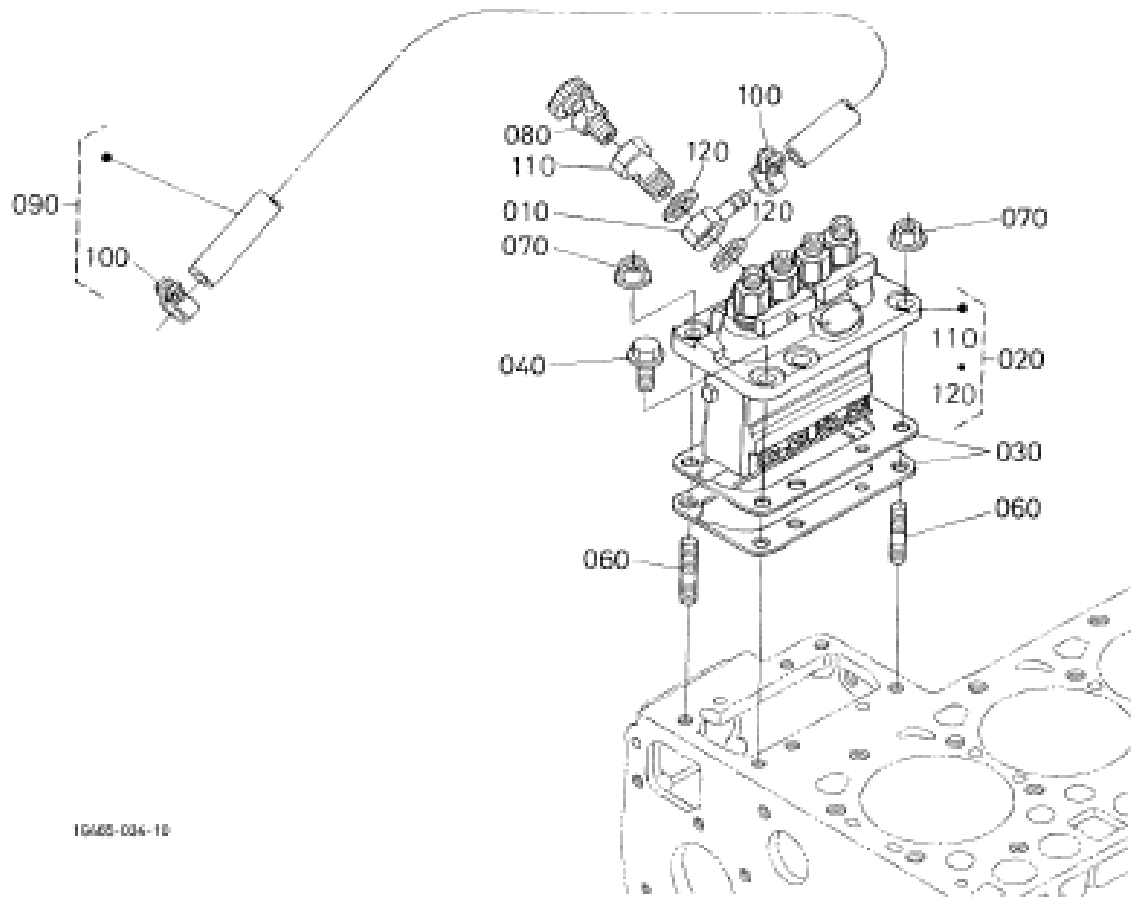
2203 KUBOTA ENGINE STOP LEVER			
ITEM	PART NO.	QTY	DESCRIPTION
010	3338377	1	ASSY-LEVER ENGINE STOP
020	--XXX--	-	NOT SOLD SEPARATELY
030	--XXX--	-	NOT SOLD SEPARATELY
040	3334298	1	SEAL-SPEED CONT PLATE ASSY KBA 2203 EMIS
050	3331772	1	PIN, SP
060	--XXX--	-	NOT SOLD SEPARATELY
070	3334297	1	GASKET-SPEED CONT PLT KBA2203 EMIS COMP
080	3331652	2	BOLT-240
090	3331624	2	STUD-360
100	--XXX--	-	NOT SOLD SEPARATELY

2203 KUBOTA ENGINE STOP SOLENOID



2203 KUBOTA ENGINE STOP SOLENOID			
ITEM	PART NO.	QTY	DESCRIPTION
010	3338378	1	COMP. GUIDE SOLENOID
020	3338379	1	ASSY-SOLENOID
030	3338380	1	O-RING
040	3331624	2	STUD-360
050	3338381	1	NUT-FLANGE

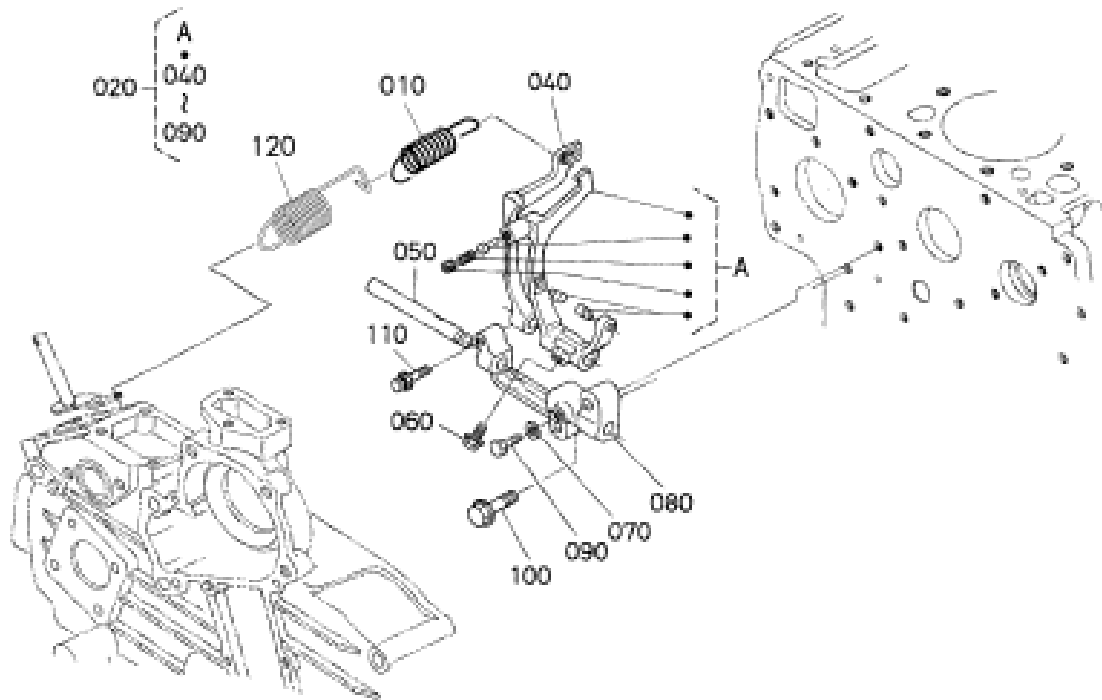
2203 KUBOTA ENGINE INJECTION PUMP



1G603-004-10

2203 KUBOTA ENGINE INJECTION PUMP			
ITEM	PART NO.	QTY	DESCRIPTION
010	--XXX--	-	NOT SOLD SEPARATELY
020	3338382	1	ASSY-PUMP INJECTION
030	--XXX--	-	NOT SOLD SEPARATELY
040	3338383	4	BOLT-FLANGE
050	BLANK	-	NOT USED
060	3338384	2	STUD
070	3338385	2	NUT-FLANGE
080	3303591	1	ASSY-COCK JET START-KUBOTA(SP)
090	3331788	1	ASSY PIPE, FUEL-090
100	3331789	2	CLIP, PIPE-100
110	--XXX--	-	NOT SOLD SEPARATELY
120	--XXX--	-	NOT SOLD SEPARATELY

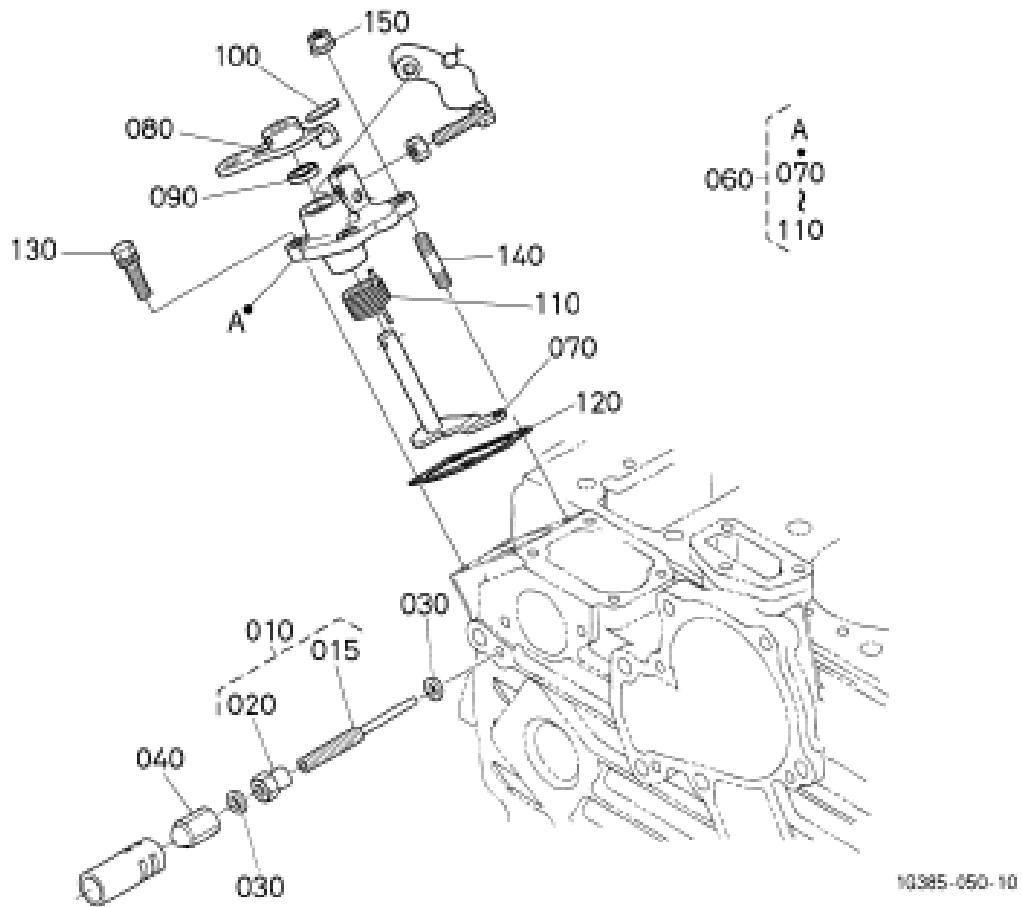
2203 KUBOTA ENGINE GOVERNOR



10475-008-14

2203 KUBOTA ENGINE GOVERNOR			
ITEM	PART NO.	QTY	DESCRIPTION
010	3334295	1	SPRING-GOVENOR KBA 2203 EMIS COMP
020	3334293	1	ASSY-LEVER FORK KBA 2203 EMIS COMP
030	BLANK	-	NOT USED
040	--XXX--	-	NOT SOLD SEPARATELY
050	--XXX--	-	NOT SOLD SEPARATELY
060	--XXX--	-	NOT SOLD SEPARATELY
070	3331575	1	WASHER, SPRING -200
080	3331817	1	HOLDER, FORK LEVER- 070
090	3331818	1	BOLT -080
100	3338386	2	BOLT
110	3338387	1	SPRING-GOVERNOR
120	3334294	1	SPRING-GOVENOR KBA 2203 EMIS COMP

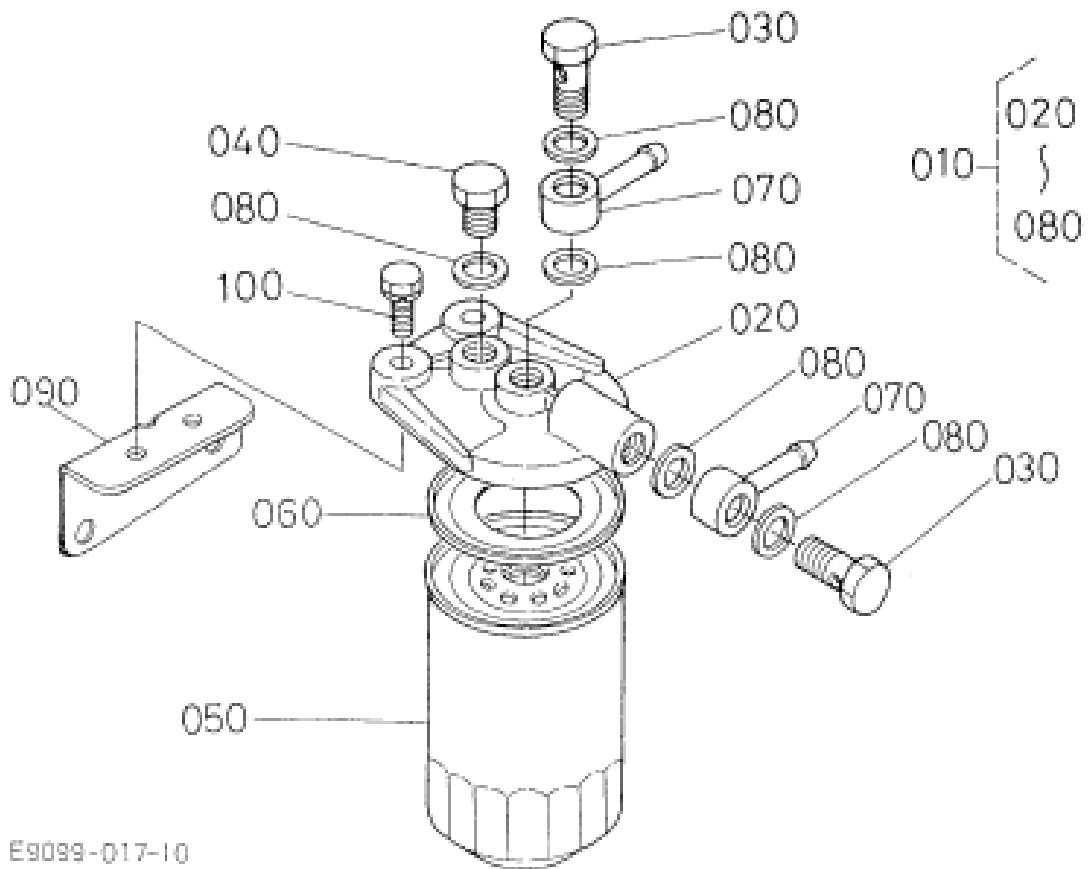
2203 KUBOTA ENGINE SPEED CONTROL PLATE



2203 KUBOTA ENGINE SPEED CONTROL PLATE			
ITEM	PART NO.	QTY	DESCRIPTION
010	3338388	1	ASSY-BOLT ADJUSTMENT
015	--XXX--	-	NOT SOLD SEPARATELY
020	--XXX--	-	NOT SOLD SEPARATELY
030	3331828	2	GASKET- 030
040	3331829	1	NUT, CAP- 040
050	BLANK	-	NOT USED
060	3334296	1	ASSY-SPEED CONT PLATE KBA 2203 EMIS COMP
070	--XXX--	-	NOT SOLD SEPARATELY
080	--XXX--	-	NOT SOLD SEPARATELY
090	3334298	1	SEAL-SPEED CONT PLATE ASSY KBA 2203 EMIS
100	3331772	1	PIN, SPRING-120
110	--XXX--	-	NOT SOLD SEPARATELY
120	3334297	1	GASKET-SPEED CONT PLT KBA2203 EMIS COMP
130	3331652	2	BOLT-240
140	3331624	2	STUD-360
150	3338389	2	NUT-FLANGE

2203 KUBOTA ENGINE NOZZLE HOLDER AND GLOW PLUG			
ITEM	PART NO.	QTY	DESCRIPTION
010	3338390	1	ASSY-PIPE OVERFLOW
020	3331846	1	ASSY, PIPE OVER FLOW -020
030	3331847	1	CLIP PIPE-030
040	--XXX--	-	NOT SOLD SEPARATELY
050	3331868	1	CLAMP, CORD- 160
060	--XXX--	-	NOT SOLD SEPARATELY
070	3332432	4	D722-KUBOTA GASKET
080	3331853	4	SEAL, HEAT -070
090	3331856	1	PIPE INJECTION 15056~
100	3331859	1	PIPE INJECTION 15056~
110	3331862	1	PIPE INJECTION 15056~
120	3338391	1	PIPE-INJECTION
130	3331861	3	PIPE INJECTION 14840~
140	3331864	3	CLAMP, PIPE -120
150	3331865	3	SCREW W/WASHER -130
160	3331866	4	PLUG GLOW -140
170	3338392	1	CORD-GLOW PLUG
180	--XXX--	-	NOT SOLD SEPARATELY
190	--XXX--	-	NOT SOLD SEPARATELY
200	3338393	4	KIT-HOLDER NOZZLE

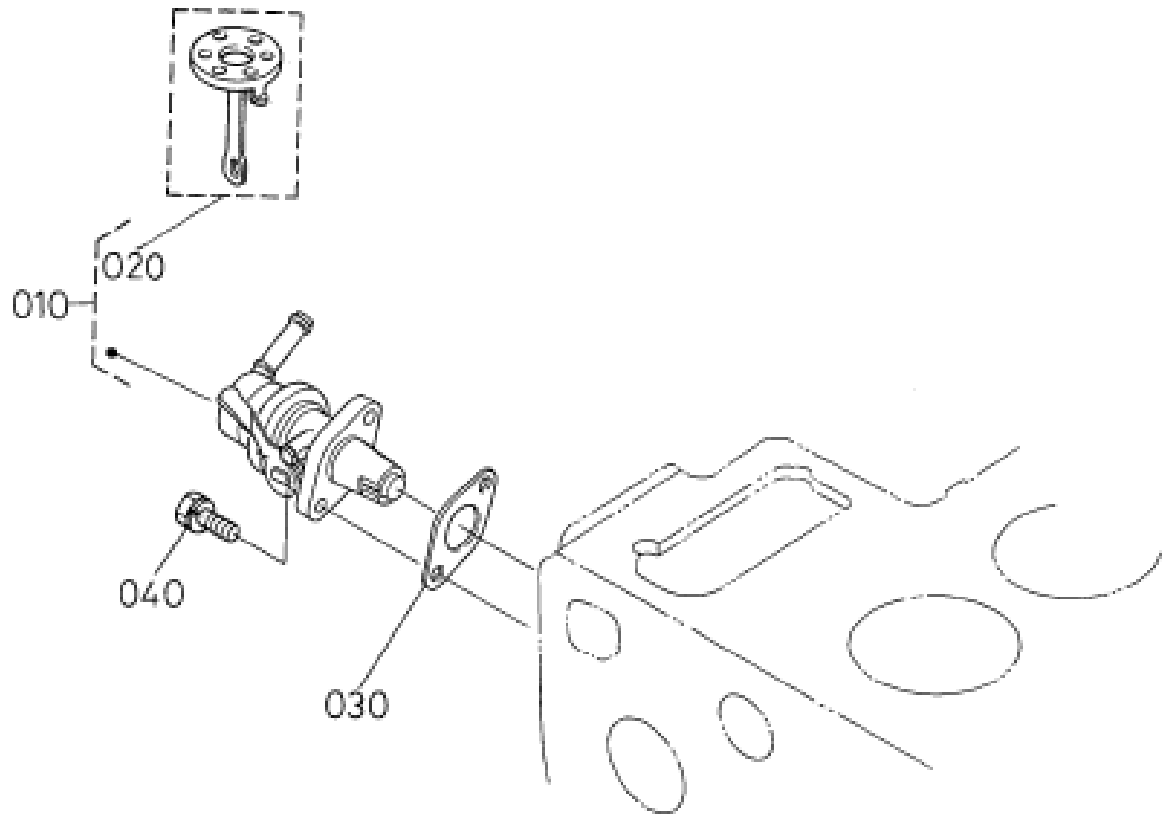
2203 KUBOTA ENGINE FUEL FILTER



E9099-017-10

2203 KUBOTA ENGINE FUEL FILTER			
ITEM	PART NO.	QTY	DESCRIPTION
010	3338394	1	ASSY-FILTER FUEL
020	--XXX--	-	NOT SOLD SEPARATELY
030	--XXX--	-	NOT SOLD SEPARATELY
040	--XXX--	-	NOT SOLD SEPARATELY
050	3338395	1	FUEL FILTER
060	3338396	1	GASKET
070	--XXX--	-	NOT SOLD SEPARATELY
080	--XXX--	-	NOT SOLD SEPARATELY
090	--XXX--	-	NOT SOLD SEPARATELY
-	500440	1	SPACER (GOES BEHIND 090)
100	3338397	2	BOLT

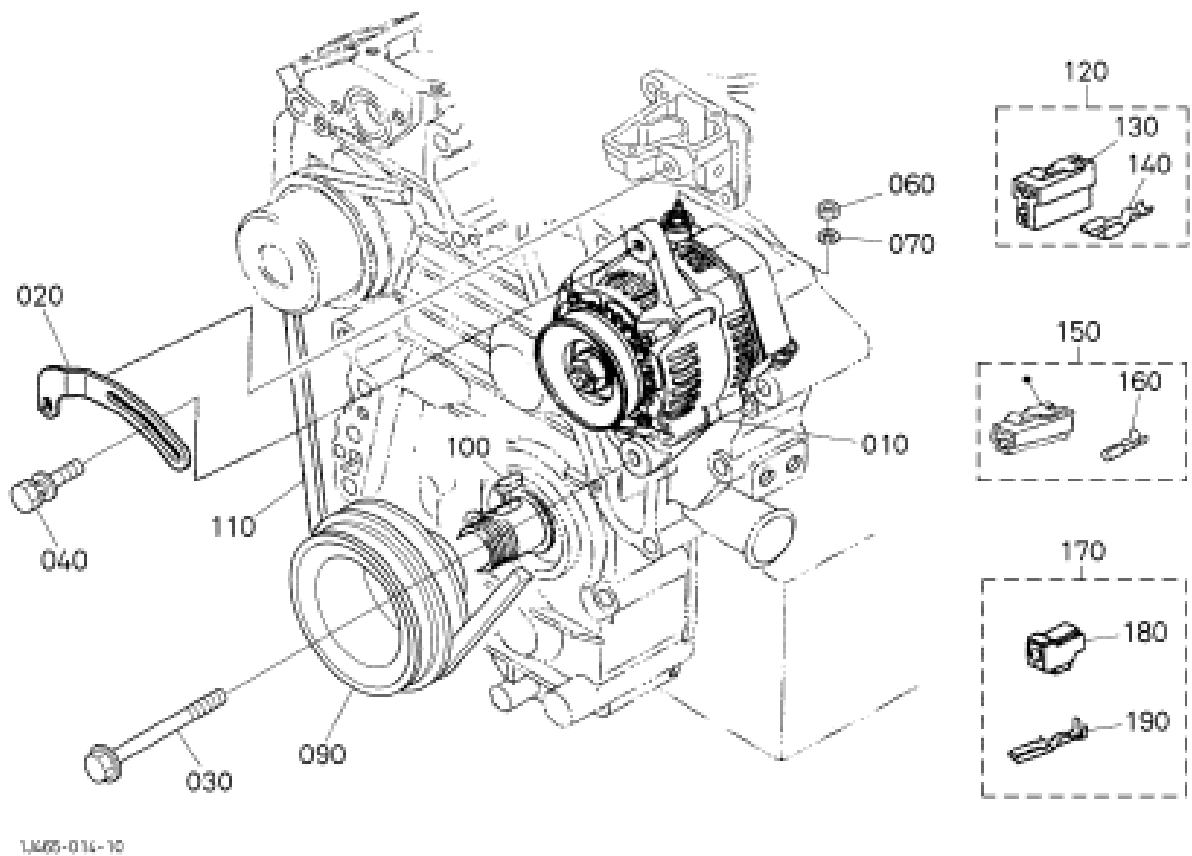
2203 KUBOTA ENGINE FUEL PUMP (MECHANICAL)



1E064-004-10

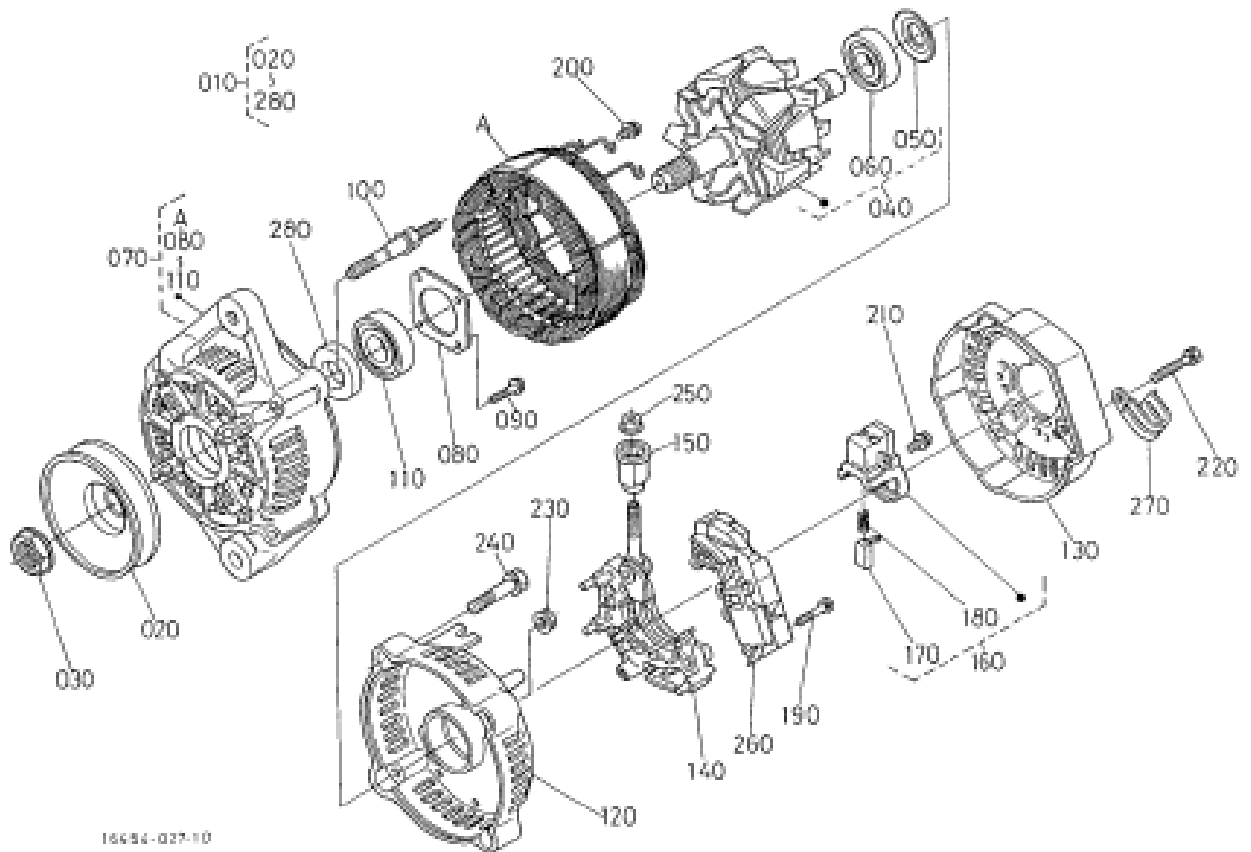
2203 KUBOTA ENGINE FUEL PUMP (MECHANICAL)			
ITEM	PART NO.	QTY	DESCRIPTION
010	3331924	1	ASSY PUMP FUEL -010
020	3338398	1	COMP. DIAPHRAGM
030	3338399	1	GASKET-FUEL PUMP
040	3331926	2	BOLT- 030

2203 KUBOTA ENGINE ALTERNATOR AND PULLEY

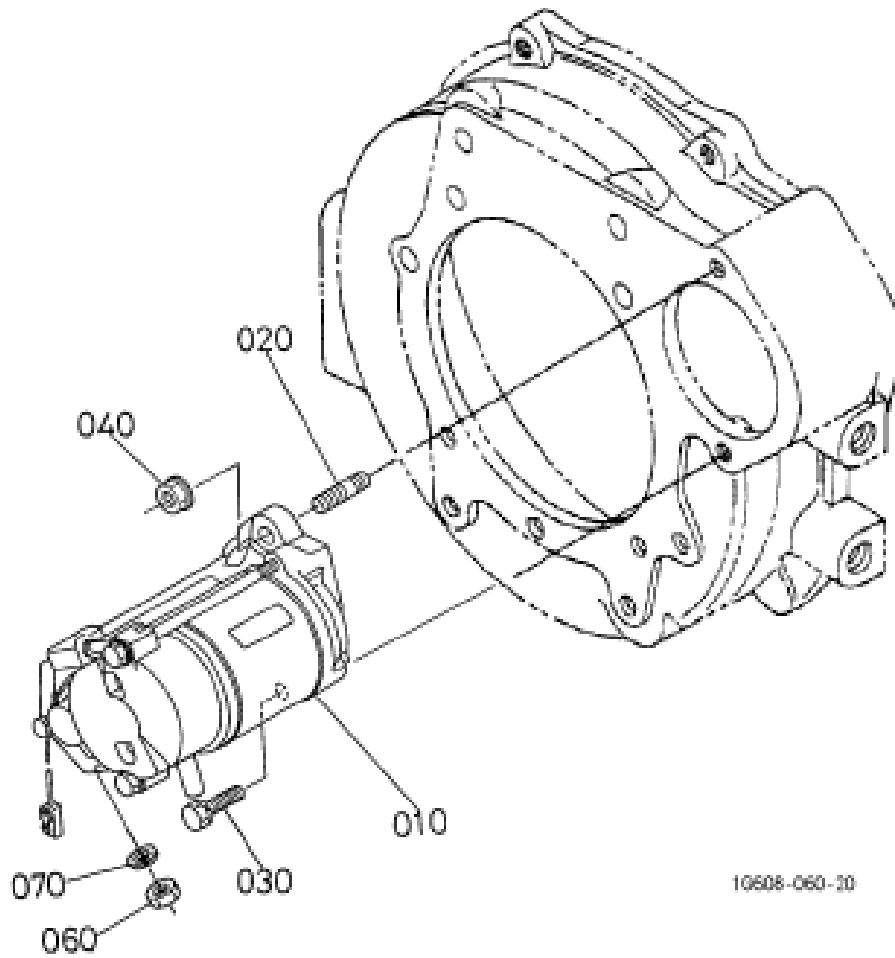


2203 KUBOTA ENGINE ALTERNATOR AND PULLEY			
ITEM	PART NO.	QTY	DESCRIPTION
010	3338400	1	ASSY-ALTERNATOR
020	--XXX--	-	NOT SOLD SEPARATELY
030	3338401	1	BOLT-FLANGE
040	3338402	1	BOLT
050	BLANK	-	NOT USED
060	3331620	1	NUT-330
070	3331575	1	WASHER, SPRING -200
080	BLANK	-	NOT USED
090	--XXX--	-	NOT SOLD SEPARATELY
100	3331519	1	KEY, FEATHER-070
110	3338956	1	BELT, COG
120	3306810	1	TERMINAL-2 PRG KBA ALT 71G(SP)
130	3331946	1	CONNECT -160
140	3331947	2	TERMINAL -170
150	3331953	1	ASSY COUPLER- 230
160	3331954	1	TERMINAL -240
170	--XXX--	-	NOT SOLD SEPARATELY
180	--XXX--	-	NOT SOLD SEPARATELY
190	--XXX--	-	NOT SOLD SEPARATELY

2203 KUBOTA ENGINE ALTERNATOR (COMPONENT PARTS)

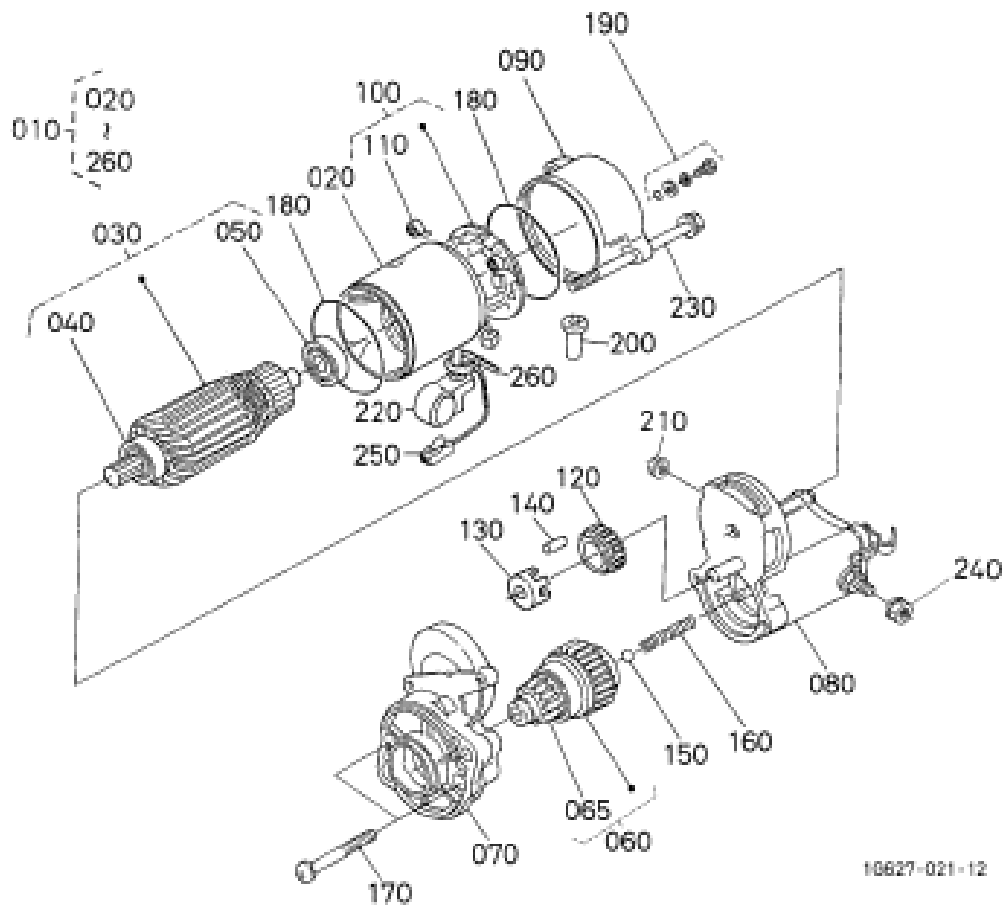


2203 KUBOTA ENGINE ALTERNATOR (COMPONENT PARTS)			
ITEM	PART NO.	QTY	DESCRIPTION
010	3338400	1	ASSY-ALTERNATOR
020	3331956	1	PULLEY ALTERNATOR- 020
030	3331957	1	NUT- 030
040	--XXX--	-	NOT SOLD SEPARATELY
050	3331960	1	COVER BEARING- 060
060	--XXX--	-	NOT SOLD SEPARATELY
070	--XXX--	-	NOT SOLD SEPARATELY
080	3331964	1	PLATE, RETAINER -100
090	3331965	4	SCREW, ROUND HEAD -110
100	3331966	2	BOLT, THROUGH -120
110	3331967	1	BEARING BALL -130
120	--XXX--	-	NOT SOLD SEPARATELY
130	--XXX--	-	NOT SOLD SEPARATELY
140	--XXX--	-	NOT SOLD SEPARATELY
150	--XXX--	-	NOT SOLD SEPARATELY
160	3331972	1	HOLDER BRUSH -180
170	3331973	2	BRUSH -190
180	3331974	2	SPRING BRUSH- 200
190	3331975	2	SCREW, ROUND HEAD -210
200	3331976	6	SCREW ROUND HEAD- 220
210	3331977	1	SCREW ROUND HEAD- 230
220	3331978	3	BOLT- 240
230	3331979	2	NUT- 250
240	3331980	2	BOLT- 260
250	3331981	1	NUT- 270
260	--XXX--	-	NOT SOLD SEPARATELY
270	--XXX--	-	NOT SOLD SEPARATELY
280	3331958	1	COLLAR -040



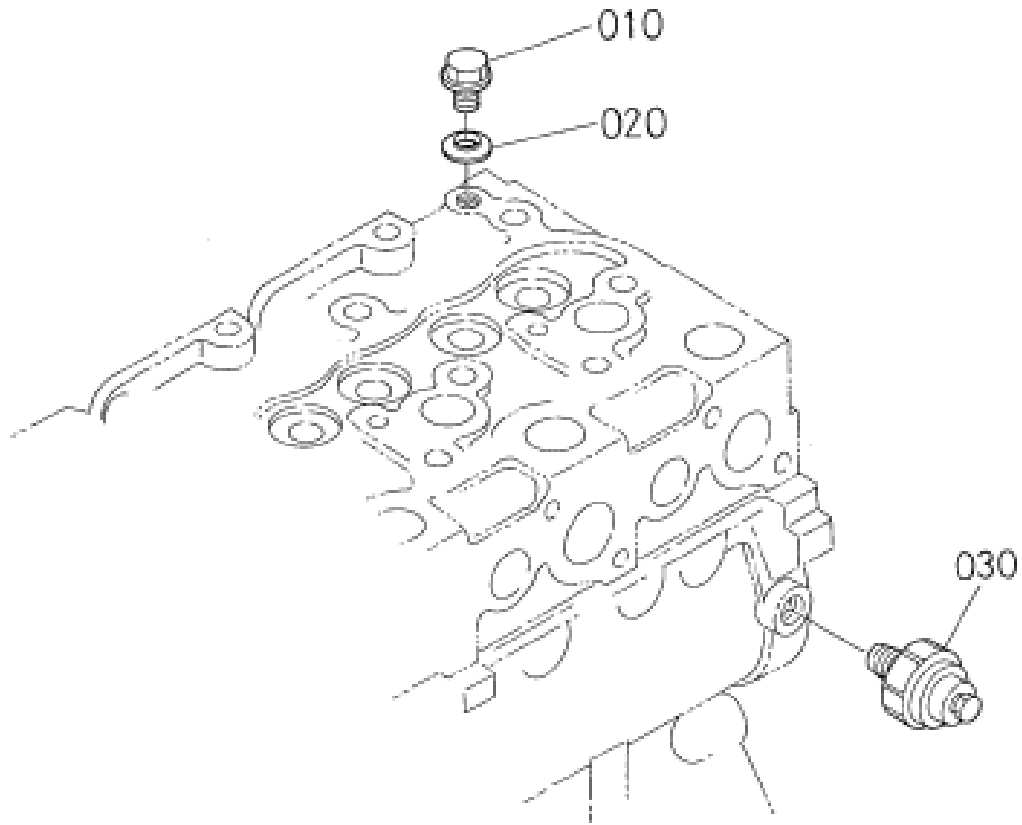
2203 KUBOTA ENGINE STARTER			
ITEM	PART NO.	QTY	DESCRIPTION
010	3331984	1	STARTER-KUBOTA 1402/03 1902/03 2203
020	3331985	1	STUD- 020
030	3331986	1	BOLT -030
040	3338403	1	NUT-FLANGE
050	BLANK	-	NOT USED
060	3331989	1	NUT- 060
070	3331598	1	WASHER, SPRING-060

2203 KUBOTA ENGINE STARTER (COMPONENT PARTS)



2203 KUBOTA ENGINE STARTER (COMPONENT PARTS)			
ITEM	PART NO.	QTY	DESCRIPTION
010	3331984	1	STARTER-KUBOTA 1402/03 1902/03 2203
020	--XXX--	-	NOT SOLD SEPARATELY
030	3331995	1	ASSY ARMATURE -030
040	3331996	1	BEARING- 040
050	3331997	1	BEARING- 050
060	3331998	1	CLUTCH, OVER RUNNING- 060
065	--XXX--	-	NOT SOLD SEPARATELY
070	3331999	1	FRAME, DRIVE END- 070
080	--XXX--	-	NOT SOLD SEPARATELY
090	3332002	1	FRAME- 090
100	3332003	1	ASSY HOLDER, BRUSH- 100
110	3332004	4	SPRING BRUSH- 110
120	3332005	1	GEAR- 120
130	3332006	1	RETAINER- 130
140	3332007	5	ROLLER- 140
150	3332009	1	BALL- 160
160	3332008	1	SPRING- 150
170	3332010	2	BOLT- 170
180	3332017	2	O RING -180
190	3332018	2	ASSY BOLT- 190
200	3332019	1	PIPE, DRAIN- 200
210	--XXX--	-	NOT SOLD SEPARATELY
220	--XXX--	-	NOT SOLD SEPARATELY
230	3332021	2	BOLT- 220
240	3332022	1	NUT, HEXAGON- 230
250	3331992	1	CORD, STOP SOLENOID 12830~
260	--XXX--	-	NOT SOLD SEPARATELY

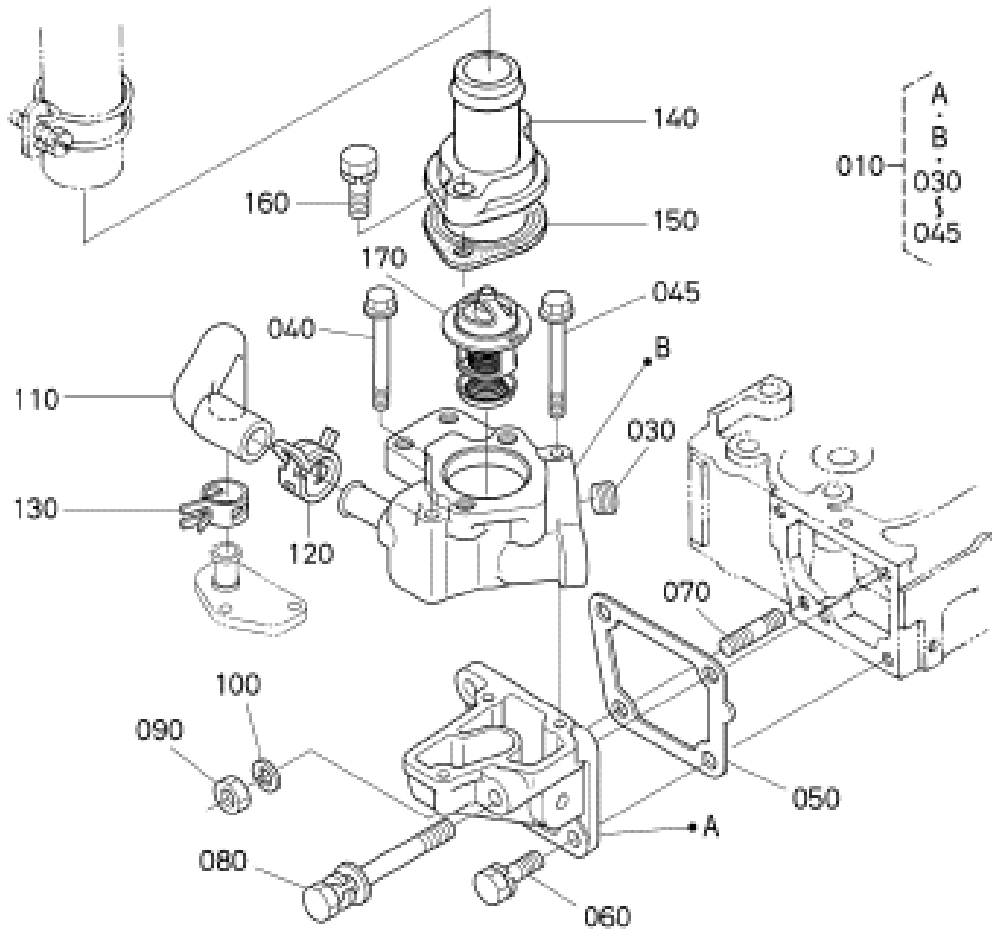
2203 KUBOTA ENGINE OIL SWITCH AND PLUG



17290-018-10

2203 KUBOTA ENGINE OIL SWITCH AND PLUG			
ITEM	PART NO.	QTY	DESCRIPTION
010	3332023	1	PLUG- 010
020	3332024	1	WASHER,W/RUBB- 020
030	748403	1	SWITCH, OIL

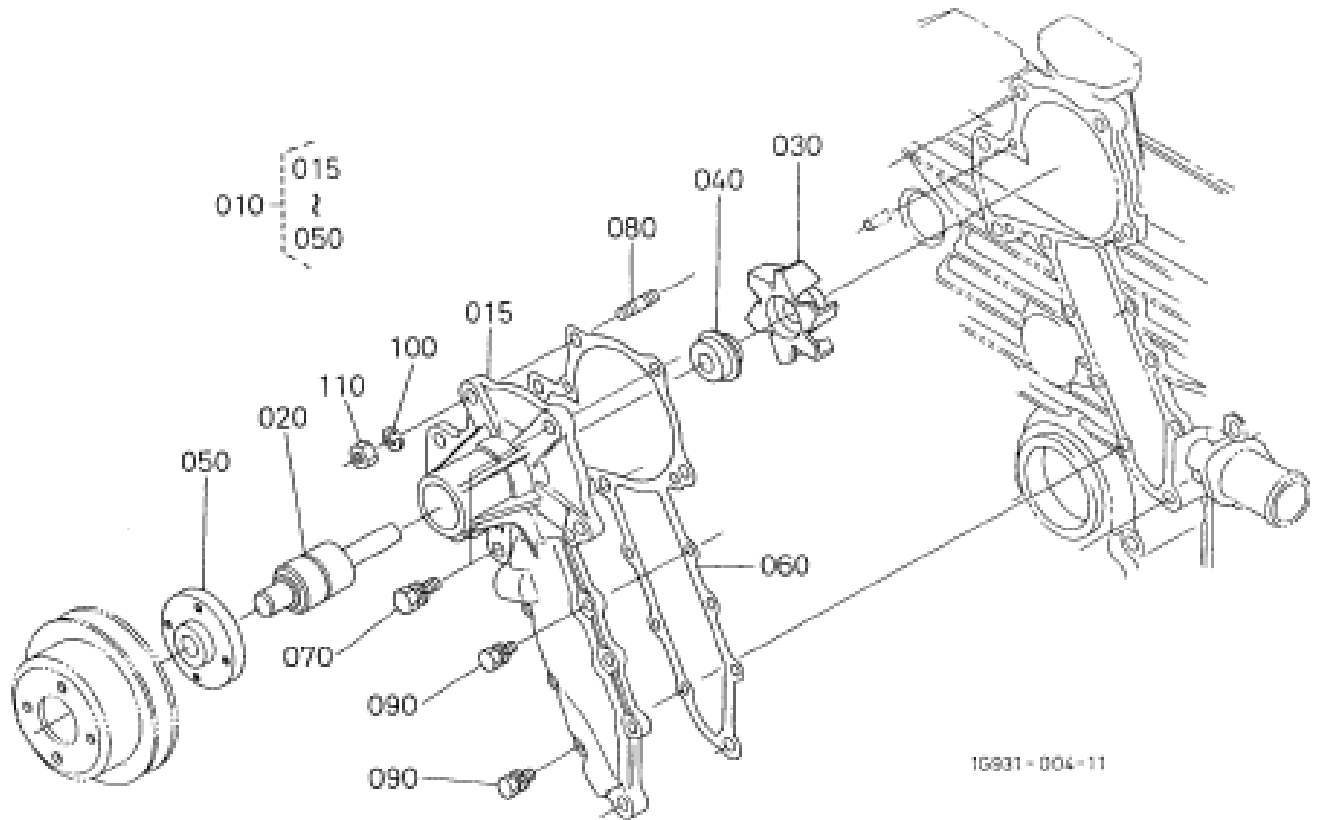
2203 KUBOTA ENGINE WATER FLANGE AND THERMOSTAT



1G933-019-15

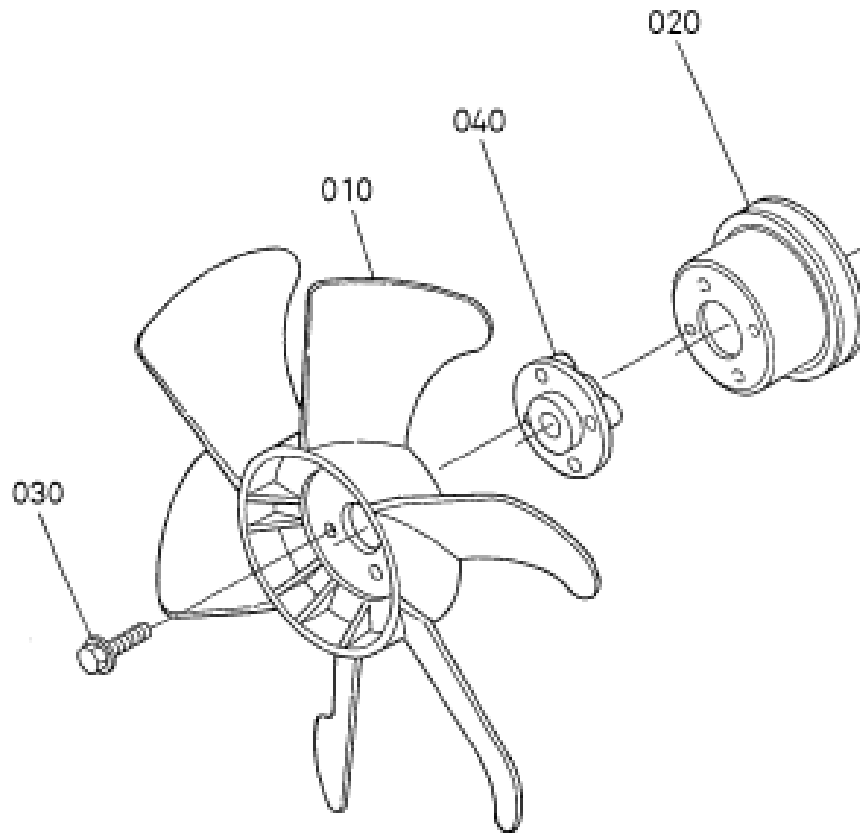
2203 KUBOTA ENGINE WATER FLANGE AND THERMOSTAT			
ITEM	PART NO.	QTY	DESCRIPTION
010	3338404	1	COMP. FLANGE WATER
020	BLANK	-	NOT USED
030	--XXX--	-	NOT SOLD SEPARATELY
040	--XXX--	-	NOT SOLD SEPARATELY
045	--XXX--	-	NOT SOLD SEPARATELY
050	3338405	1	GASKET-WATER FLANGE
060	3338406	2	BOLT
070	3331784	1	STUD-050
080	3338407	1	BOLT
090	3331597	1	NUT-050
100	3331598	1	WASHER, SPRING-060
110	3334302	1	PIPE-WATER RET STAT KBA 2203 EMIS COMP
120	3338408	1	CLAMP-HOSE
130	3334303	1	CLAMP-WATER RETURN PIPE T STAT KBA 2203
140	3332039	1	COVER, THERMOSTAT- 130
150	3336918	1	GASKET - THERMOSTAT KUBOTA V 1505
160	3338409	2	BOLT
170	3334304	1	THERMOSTAT-KBA 2203 EMIS COMP

2203 KUBOTA ENGINE WATER PUMP



2203 KUBOTA ENGINE WATER PUMP			
ITEM	PART NO.	QTY	DESCRIPTION
010	3334305	1	PUMP-WATER KBA 2203 EMIS COMP
015	--XXX--	-	NOT SOLD SEPARATELY
020	3332046	1	BEARING- 020
030	--XXX--	-	NOT SOLD SEPARATELY
040	3332048	1	ASSY- SEAL, MECHANICAL-040
050	--XXX--	-	NOT SOLD SEPARATELY
060	3339010	1	GASKET, WATER PUMP
070	3331508	2	BOLT-070
080	3338410	1	STUD
090	3331776	6	BOLT-150
100	3331598	1	WASHER, SPRING-060
110	3331597	1	NUT-050

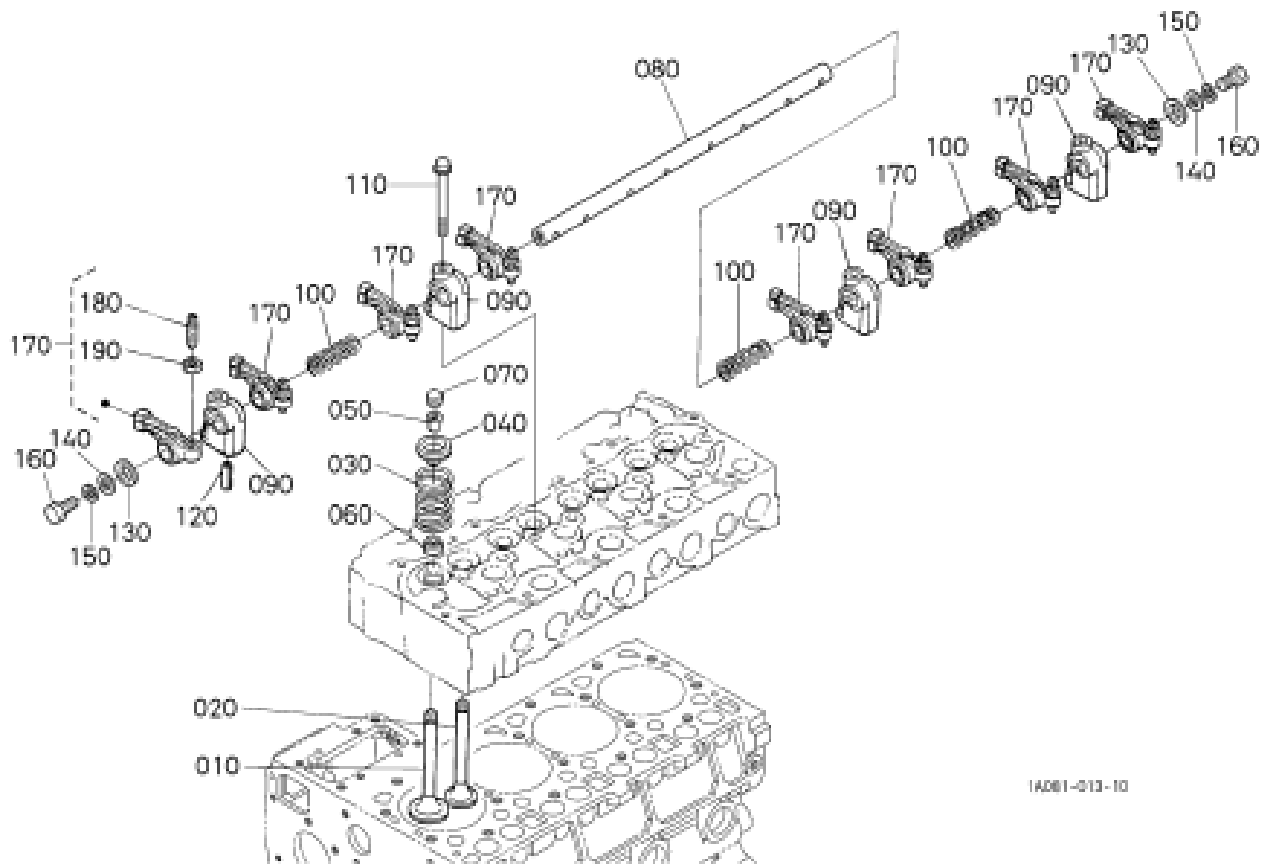
2203 KUBOTA ENGINE FAN



1G465-043-10

2203 KUBOTA ENGINE FAN			
ITEM	PART NO.	QTY	DESCRIPTION
010	3350449	1	FAN-ENGINE 6-BLADE V2203 KBA
020	--XXX--	-	NOT SOLD SEPARATELY
030	3338411	4	BOLT-FLANGE
040	--XXX--	-	NOT SOLD SEPARATELY

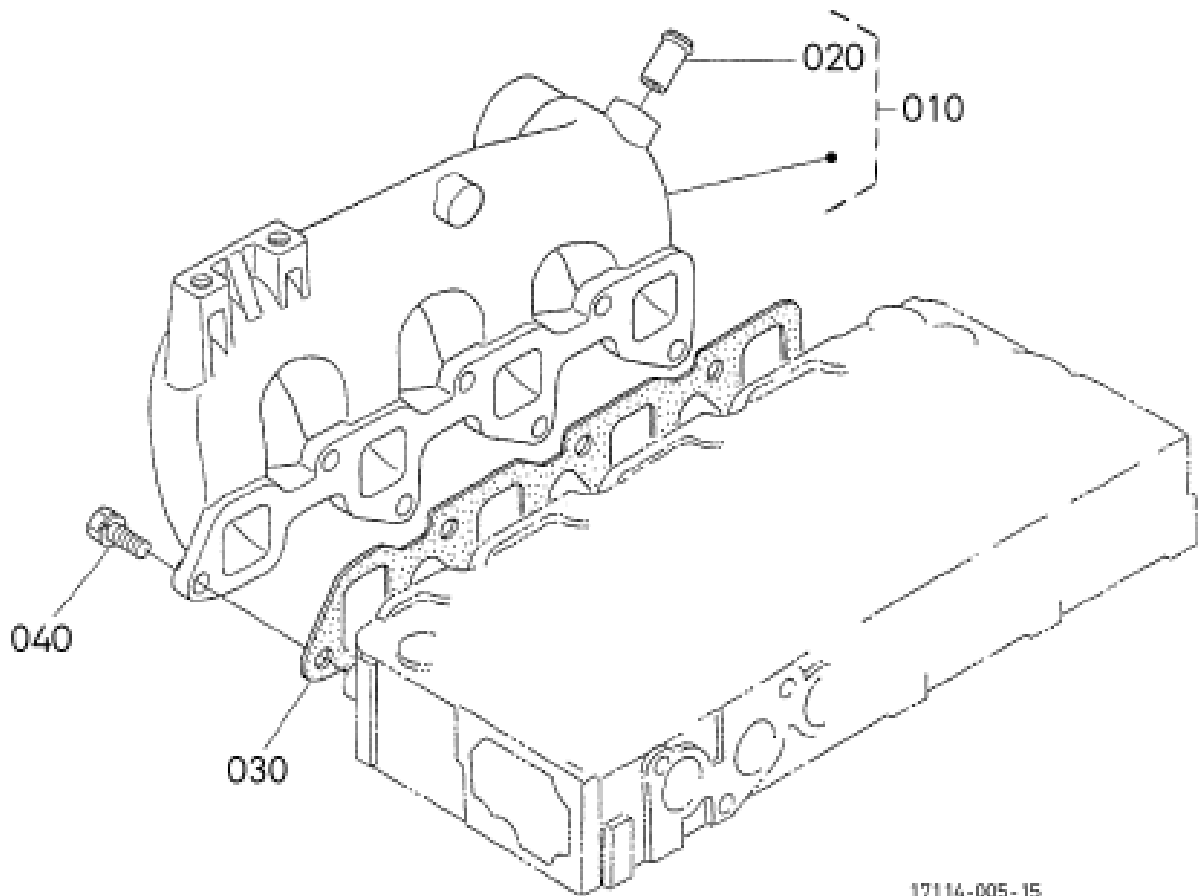
2203 KUBOTA ENGINE VALVE AND ROCKER ARM



1A2081-013-10

2203 KUBOTA ENGINE VALVE AND ROCKER ARM			
ITEM	PART NO.	QTY	DESCRIPTION
010	3338412	4	VALVE-INLET
020	3338413	4	VALVE-EXHAUST
030	3332090	8	SPRING, VALVE- 030
040	3332091	8	RETAINER, VALVE SP- 040
050	3338414	8	COLLET-VALVE SPRING (SET)
060	3338415	8	SEAL-VALVE STEM
070	3332094	8	CAP, VALVE- 070
080	3338416	1	SHAFT-ROCKER ARM
090	3338417	4	BRACKET-ROCKER ARM
100	3332105	3	SPRING, ROCKER ARM- 170
110	3338418	4	BOLT-FLANGE
120	3332103	1	PIN, SPRING- 12660~
130	3332104	2	WASHER, R-ARM. SHAFT- 160
140	3338419	2	WASHER-PLAIN
150	3331598	2	WASHER, SPRING-060
160	3331719	2	BOLT-060
170	3332107	8	ASSY ROCKER ARM- 190
180	3332108	8	SCREW,ADJUSTING- 200
190	3332109	8	NUT- 210

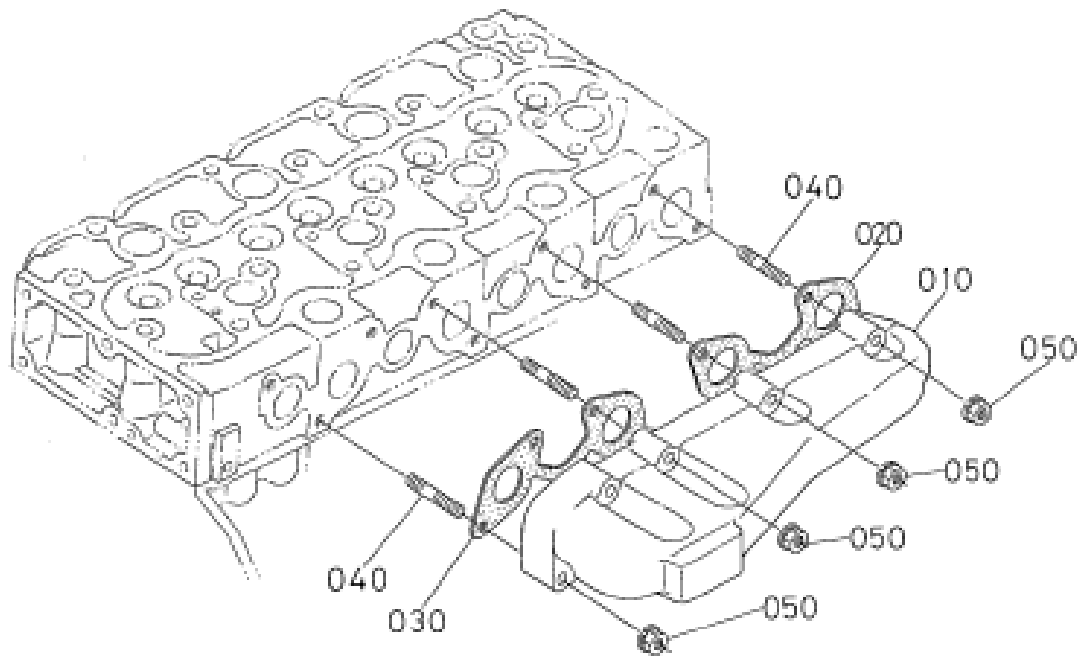
2203 KUBOTA ENGINE INLET MANIFOLD



17114-005-15

2203 KUBOTA ENGINE INLET MANIFOLD			
ITEM	PART NO.	QTY	DESCRIPTION
010	3338420	1	COMP. MANIFOLD INLET
020	--XXX--	-	NOT SOLD SEPARATELY
030	3338421	1	GASKET-IN-MANIFOLD
040	3331783	7	BOLT-040

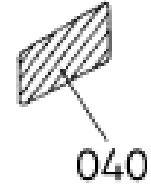
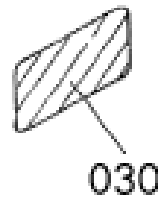
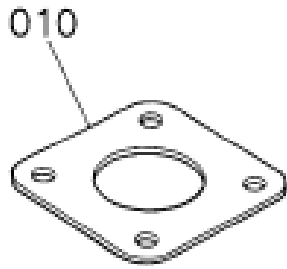
2203 KUBOTA ENGINE EXHAUST MANIFOLD



16434-069-10

2203 KUBOTA ENGINE EXHAUST MANIFOLD			
ITEM	PART NO.	QTY	DESCRIPTION
010	500444	1	MANIFOLD-EXHAUST
020	3338423	1	GASKET-EXHAUST MANIFOLD
030	3338424	1	GASKET-EXHAUST MANIFOLD
040	3338425	8	STUD
050	3338426	8	NUT

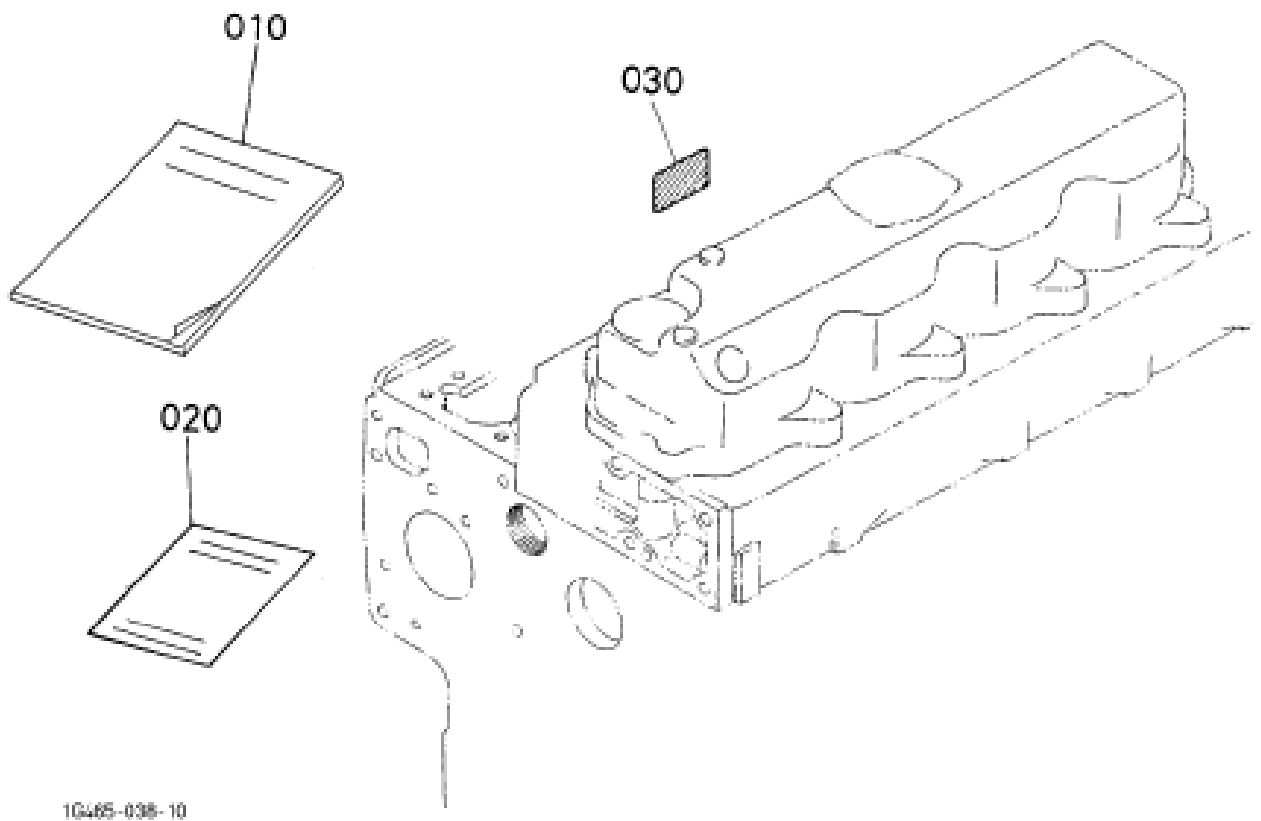
2203 KUBOTA ENGINE ACCESSORIES AND SERVICE PARTS



1Q465-037-10

2203 KUBOTA ENGINE ACCESSORIES AND SERVICE PARTS			
ITEM	PART NO.	QTY	DESCRIPTION
010	3332122	1	GASKET, MUFFLER- 010 (EPS# T0070-16420)
020	3331507	4	BOLT-060
030	3332064	1	LABEL INSTRUCTION- 080
040	--XXX--	-	NOT SOLD SEPARATELY

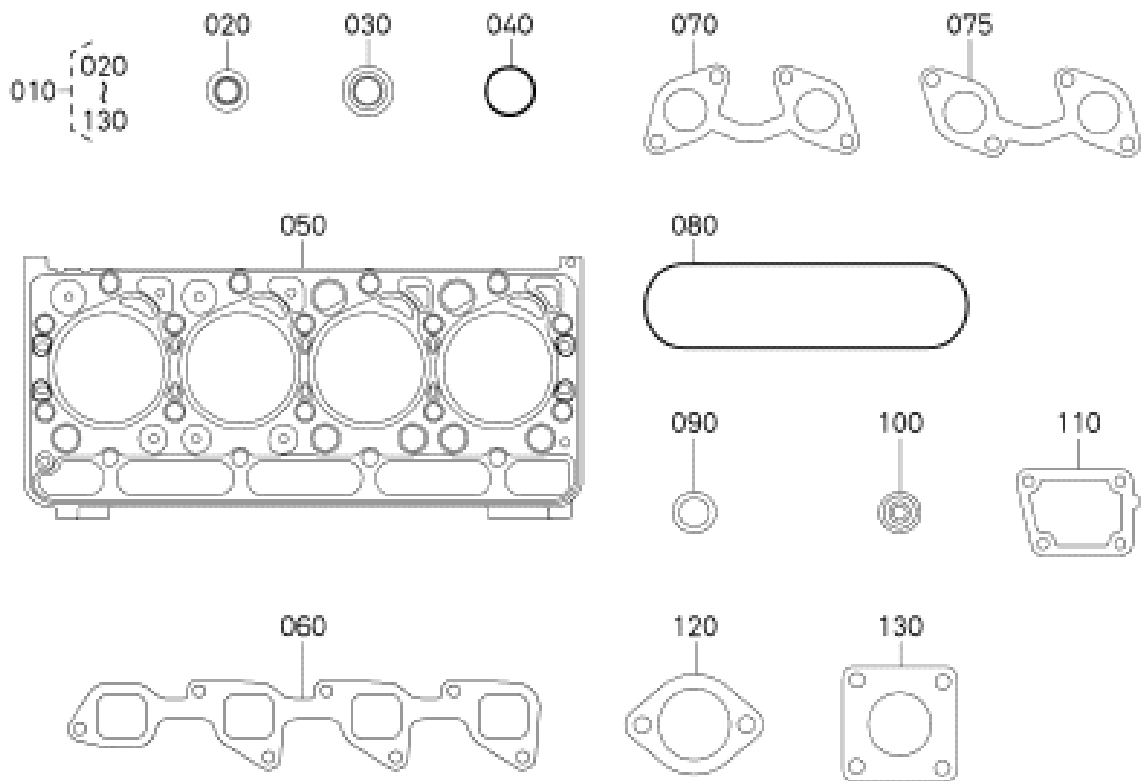
2203 KUBOTA ENGINE LABEL AND OPERATOR'S MANUAL



10465-038-10

2203 KUBOTA ENGINE LABEL AND OPERATOR'S MANUAL			
ITEM	PART NO.	QTY	DESCRIPTION
010	3338427	1	OPERATORS MANUAL
020	3338428	1	STATEMENT-WARRANTY
030	--XXX--	-	NOT SOLD SEPARATELY

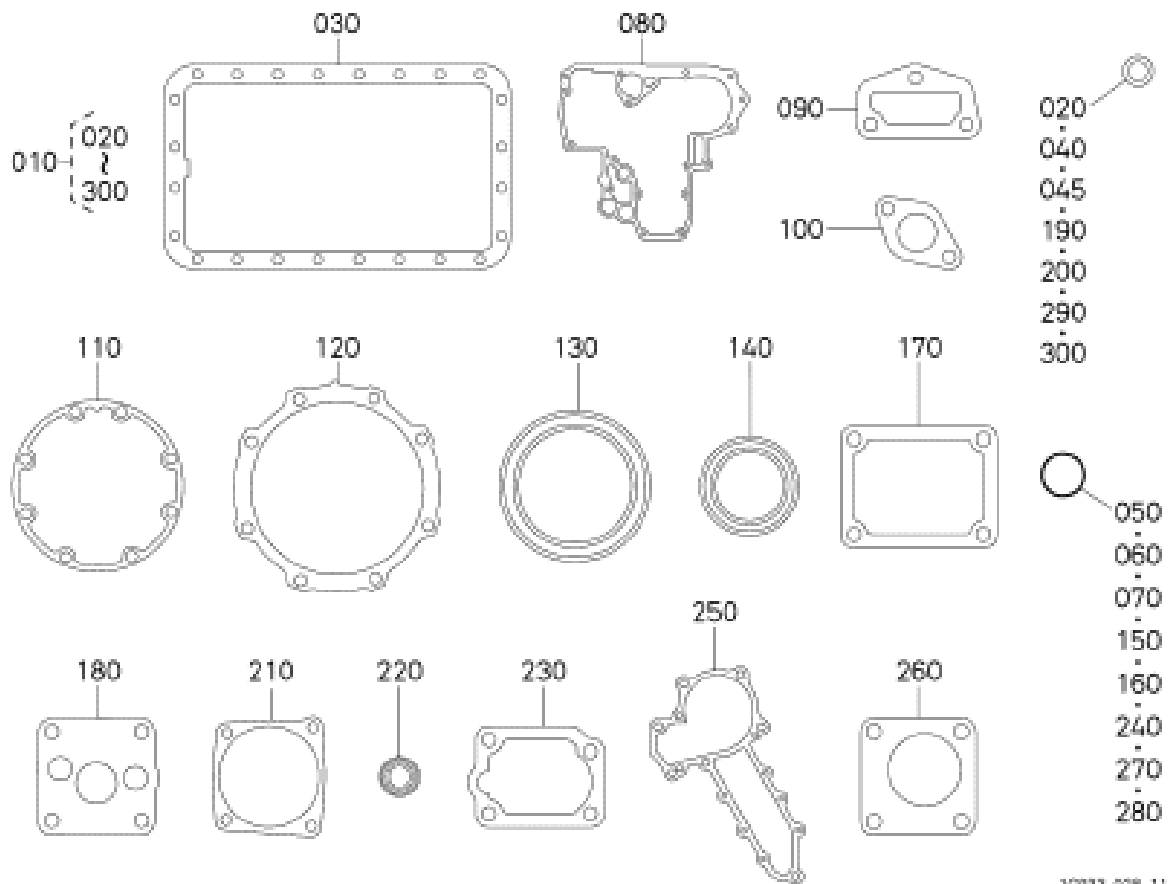
2203 KUBOTA ENGINE GASKET KIT [OPTION]



1.4/85-004-10

2203 KUBOTA ENGINE GASKET KIT [OPTION]			
ITEM	PART NO.	QTY	DESCRIPTION
010	3338429	1	KIT-GASKET UPPER
020	3332024	1	WASHER,W/RUBB- 020
030	3338415	8	SEAL-VALVE STEM
040	3338345	1	O-RING
050	3334292	1	GASKET-CYL HEAD KBA 2203 EMIS COMP
060	3338421	1	GASKET-IN-MANIFOLD
070	3338424	1	GASKET-EXHAUST MANIFOLD
075	3338423	1	GASKET-EXHAUST MANIFOLD
080	3334289	1	GASKET-CYL HEAD COVER KBA 2203 EMIS COMP
090	3332432	4	D722-KUBOTA GASKET
100	3331853	4	SEAL, HEAT -070
110	3338405	1	GASKET-WATER FLANGE
120	3336918	1	GASKET - THERMOSTAT KUBOTA
130	3332122	1	GASKET, MUFFLER- 010

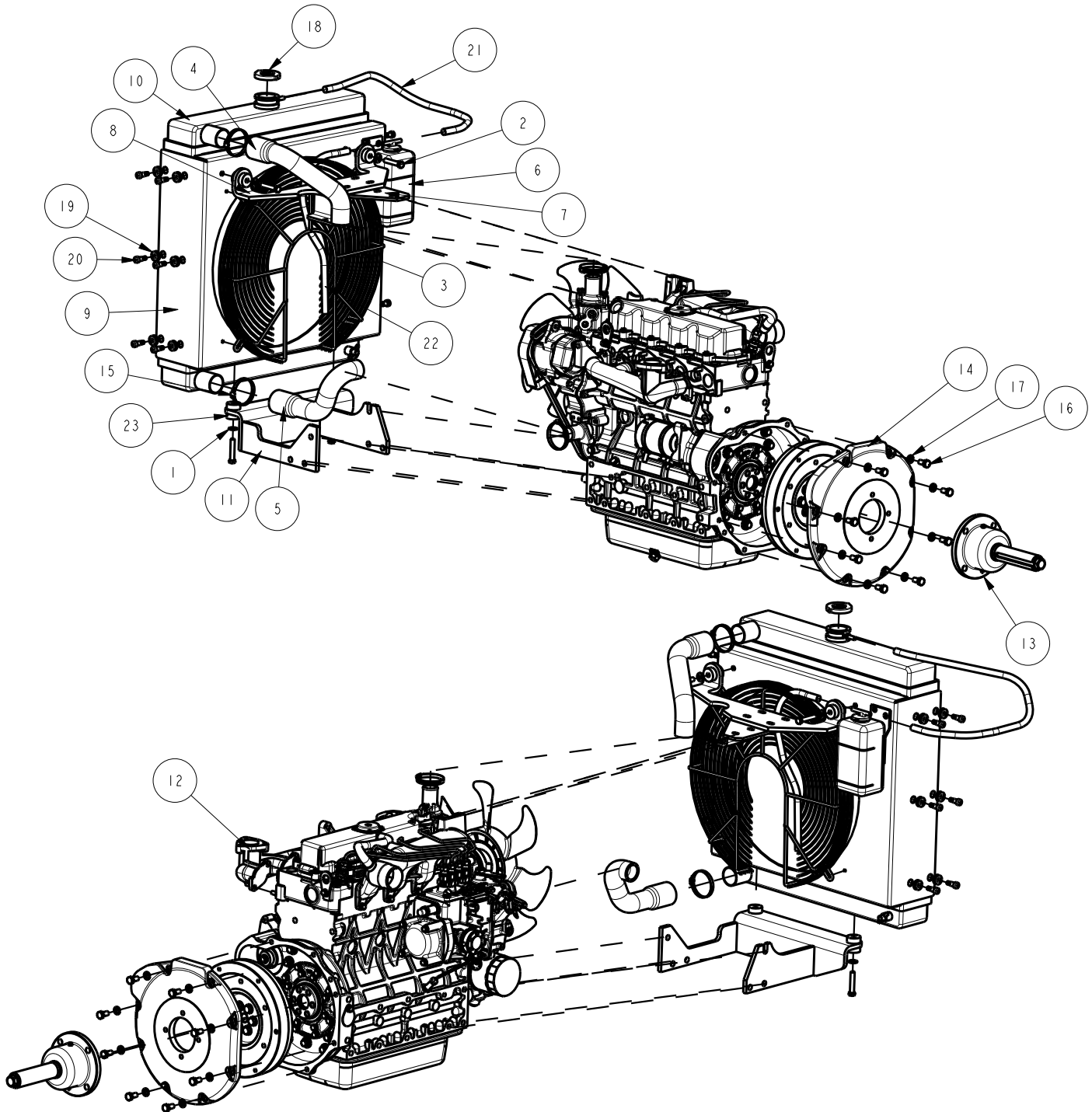
2203 KUBOTA ENGINE GASKET KIT [OPTION]



10203-028-11

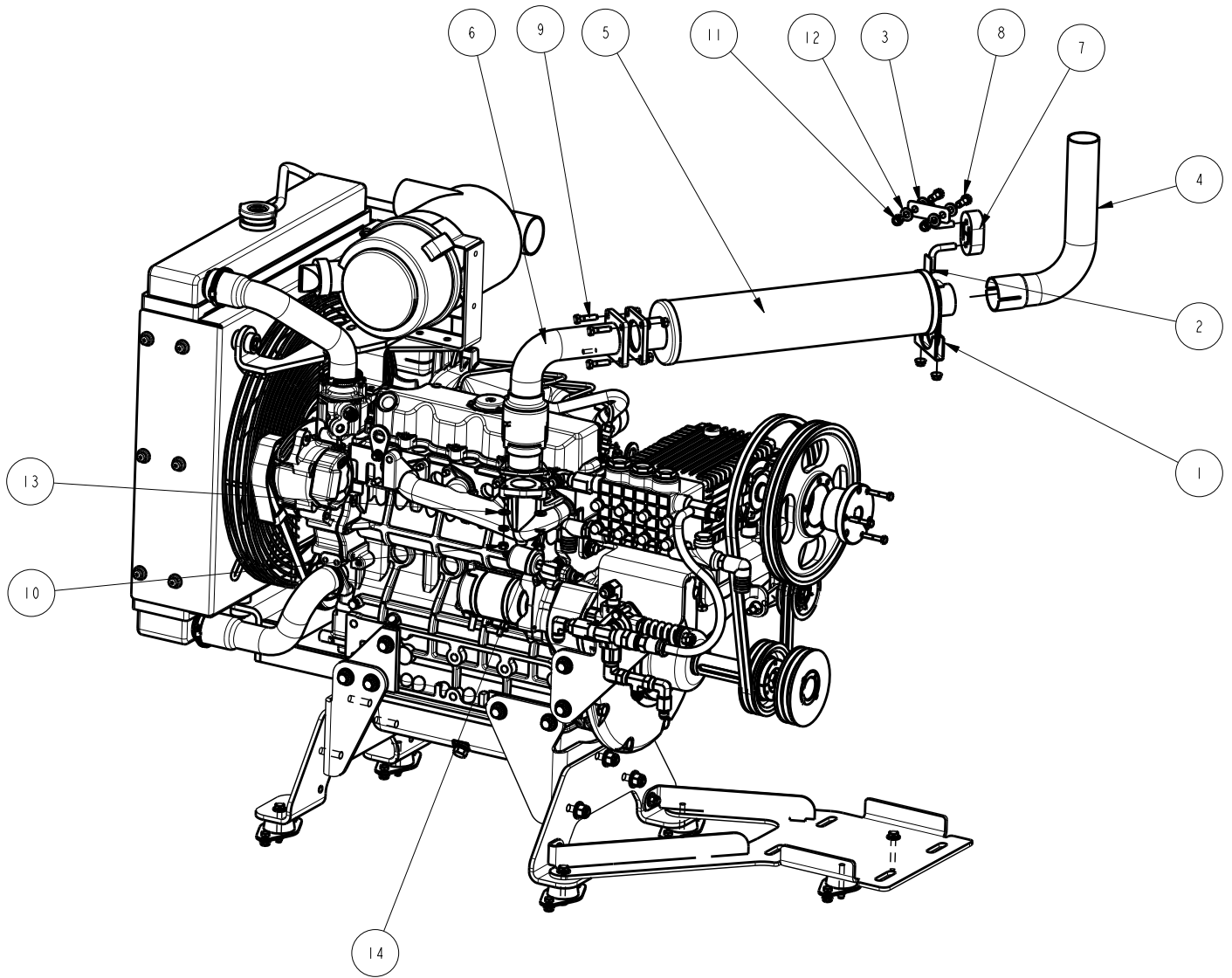
2203 KUBOTA ENGINE GASKET KIT [OPTION]			
ITEM	PART NO.	QTY	DESCRIPTION
010	3338430	1	KIT-GASKET LOWER
020	3338405	1	GASKET-WATER FLANGE
030	3338325	1	GASKET-OIL PAN
040	3305252	1	WASHER-KUBOTA OIL DRAIN FTG
045	3333377	2	GASKET
050	3338334	1	O-RING
060	3338335	2	O-RING
070	3338336	1	O-RING
080	3334301	1	GASKET-TIMING GEAR CASE KBA 2203 EMIS
090	3338342	1	GASKET-RETURN FLANGE
100	3338399	1	GASKET-FUEL PUMP
110	3338355	1	GASKET-BEARING CASE
120	3338357	1	GASKET- CASE COVER
130	3338358	1	SEAL-OIL
140	3330290	1	KBA-V1902 SEAL OIL
150	3331698	1	O RING - 170
160	3338330	1	O-RING
170	3338351	1	GASKET-PUMP COVER
180	3338348	1	GASKET-OIL PUMP
190	3331828	2	GASKET- 030
200	--XXX--	2	NOT SOLD SEPARATELY
210	3338374	1	GASKET
220	3334298	2	SEAL-SPEED CONT PLATE ASSY KBA 2203 EMIS
230	3334297	2	GASKET-SPEED CONT PLT KBA2203 EMIS COMP
240	3338380	1	O-RING
250	3339010	1	GASKET, WATER PUMP
260	3338343	1	GASKET-HOUR METER
270	--XXX--	1	NOT SOLD SEPARATELY
280	--XXX--	1	NOT SOLD SEPARATELY
290	3338376	1	GASKET
300	3331569	1	GASKET-150

ENGINE RADIATOR



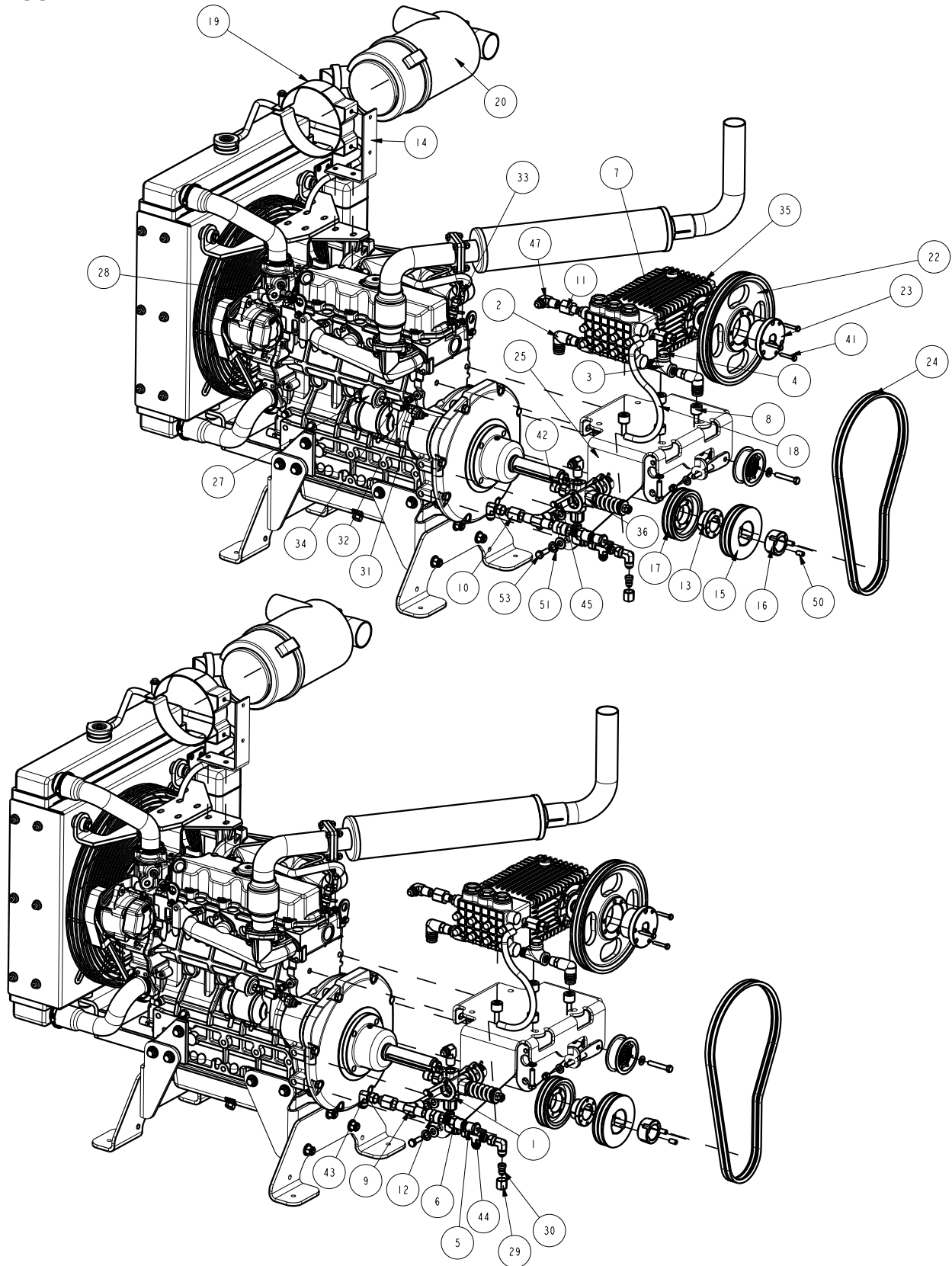
ENGINE RADIATOR			
ITEM	PART NO.	QTY	DESCRIPTION
1	3400278	4	WASHER-FENDER 3/8 ZP
2	3400031	4	SCR-HEX,3/8-16X2.00 ZP
3	500234	1	GUARD-FAN
4	500235	1	HOSE-UPPER RAD
5	500236	1	HOSE-LOWER RAD
6	500237	1	ASSY-PLASTIC OVERFLOW
7	500434	1	BRKT-ENGINE TO UPPER
8	500435	1	BRKT-UPPER TO RAD
9	500436	1	SHROUD-FAN
10	500437	1	RADIATOR POWERBLAST
11	500438	1	MNT-LOWER RAD TO ENGINE
12	500444	1	EXHAUST MANIFOLD
13	500473	1	STUB SHAFT 5"
14	500238	1	HAYES STUB SHAFT HOUSING
15	3044112	4	CLAMP - HOSE, DIAM. 2.5" SS
16	3400293	8	SCR-HEX 10MMX1.25PX20MM ZP
17	3401458	8	WSH-LOCK, 10 MM ZP
18	500239	1	CAP-RAD
19	500247	12	GROMMET-RUBBER
20	500248	12	SCR-FAN SHROUD POWERBLAST
21	500249	1	HOSE-OVERFLOW FROM RAD
22	500250	1	HOSE-OVERFLOW
23	500251	4	ISOLATOR-RADIATOR

ENGINE EXHAUST



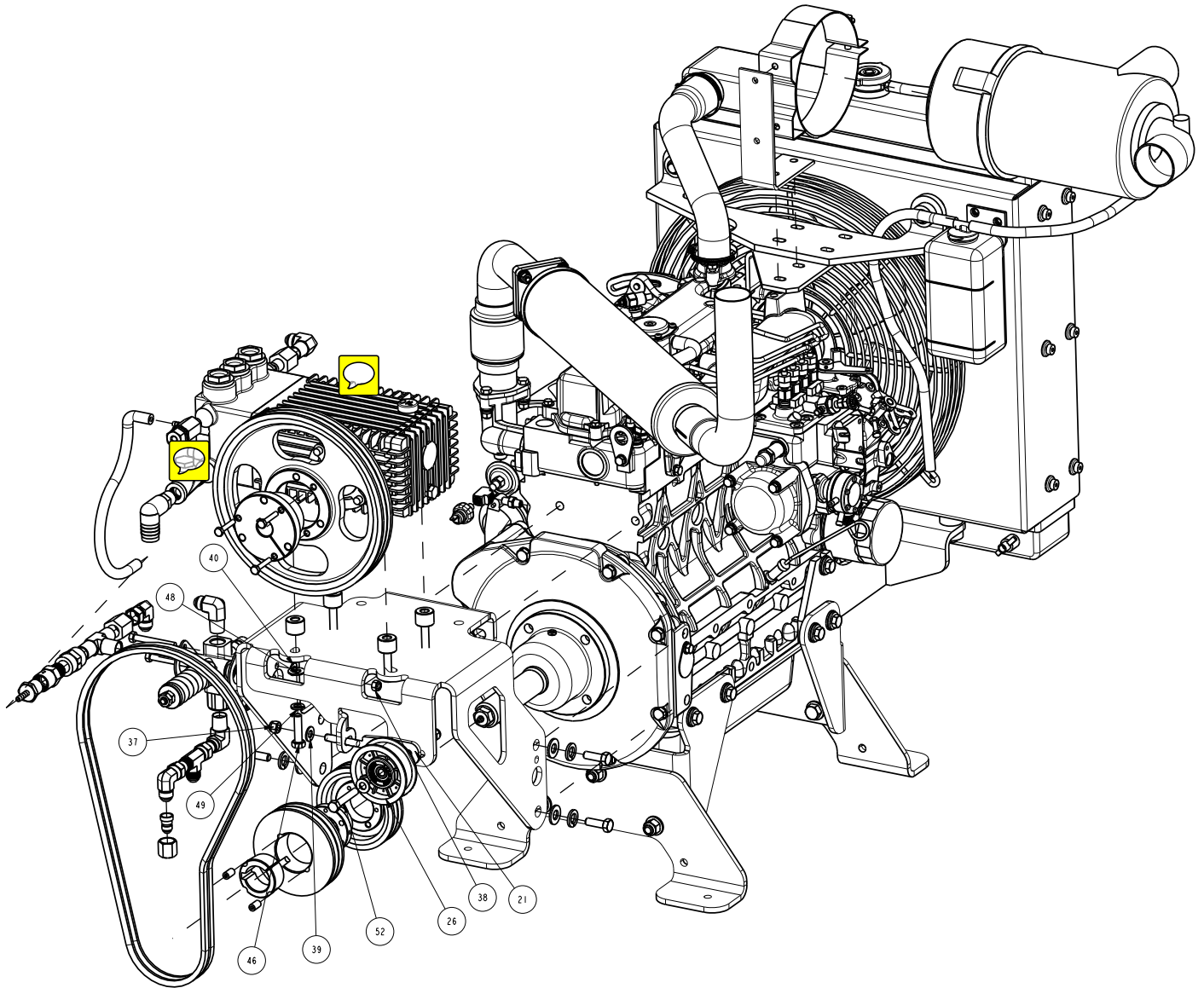
ENGINE EXHAUST			
ITEM	PART NO.	QTY	DESCRIPTION
1	500023	1	2 1/8" EXHAUST CLAMP
2	500142	1	WDT-EXHAUST HANGER
3	500144	1	WDT-COVERS TO EXHAUST
4	500441	1	EXHAUST- OUTLET
5	500442	1	EXHAUST- MUFFLER
6	500446	1	EXHAUST-MANIFOLD TO MUFFLER
7	620205	1	EXHAUST ISOLATOR
8	3400030	2	SCREW-HHM 3/8-16 X 1.0 LG ZP
9	3400034	4	SCR-HEX,5/16-18X1.25 ZP
10	3400070	7	NUT-HEX 5/16-18 ZP
11	3400079	6	NUT-HEX 3/8-16 ES ZP
12	3400087	13	WASHER 3/8 ID .81 OD X .065 THK
13	3400088	11	WASHER 5/16 ID .688 OD X .065 THK
14	3400102	7	WSR-LOCK 5/16, ZP

ENGINE SUB



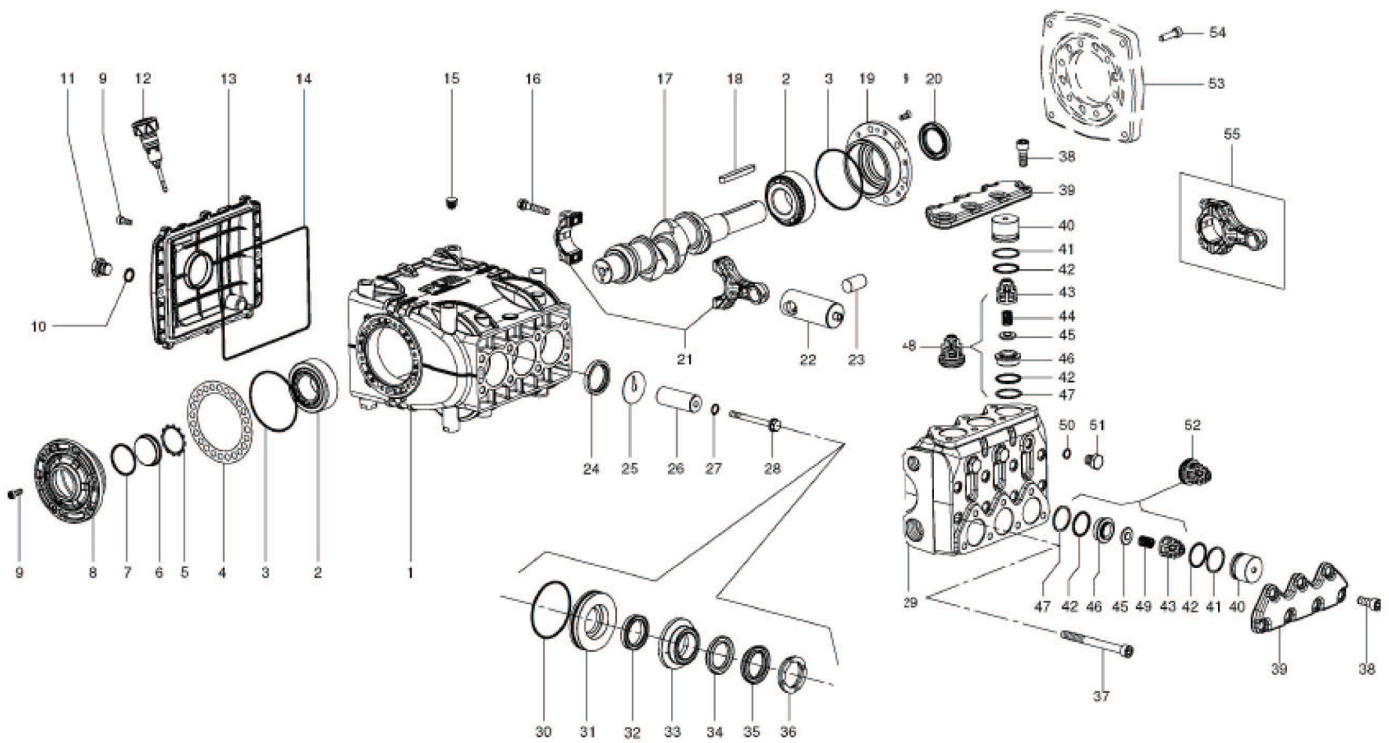
ENGINE SUB					
ITEM	PART NO.		QTY		DESCRIPTION
	DUAL	SINGLE	DUAL	SINGLE	
1	500073		3		PLATE CLAMP 4000 PSI REGULATOR
2	500196	500113	1	2	FTG-Male 90 Elbow, 1 In Barb, Nylon
	500255	N/A	1	N/A	FTG- 90 1" NPTM TO 1" HOSE BARB
3	500136	500121	1		FTG-1/2" Pipe Tee, Female X Female X Male
4	500137	500122	1		FTG-1/2" Pipe Size, Hex Hollow Plug
5	500123		1		FTG-1/4" Hose ID X 1/2" NPTF Male Pipe
6	500131		1		VALVE-Brass Check Valve 1/2 NPT Female X 1/2 NPT Male
7		500132	1		VALVE - RELIEF, 4000PSI, 10GPM, 1/2NPT
8	N/A	500173	4		SPACER SINGLE PUMP
9	500174		1		FITTING TEE 1/2 NTP FEMALE
10	500175		1		FITTING 1/2 NTP FEMALE TO #8 JIC
11	N/A	500177	1		FITTING INCREASE-EXTENSION 3/8 NPT TO 1/2 NPT
12	500178		1		FITTING COUPLER 1/2 NPT
13	500184		1		BUSHING-1.5ID
14	500189		1		MOUNT-AIR CLEANER
15	500405		1		PULEY-5"X1.195
16	500406		1		BUSHING-1.5ID
17	500409		1		PULLEY-4.75"
18	500429		1		HOSE- 1/4"ID X 12"
19	500448		1		AIR CLEANER STRAP
20	500449		1		AIR CLEANER
-	500253		1		FILTER-AIR SAFETY
-	500252		1		FILTER-AIR PRIMARY
21	500474		1		WDT - IDLER PULLEY TENSIONER
22	501110		1		PULLEY - 10.6 OD X DUAL 3V
23	500256	501111	1		HUB - PULLEY - 30MM / 24MM SHAFT
24	501234		2		3V BELT - WATER PUMP, 50"
25	502208		1		WATER PUMP BRKT
26	503200		1		IDLER PULLEY - 3.5 OD X 1" FACE
27	3300387		1		SENDER-OIL PRESSURE 0-80 PSI
28	3301441		1		SENDER-TEMP A12,A15,& KUBOTA
29	3302409		1		TUBE NUT-JIC, #8 (3/4-16 THD)
30	3303157		1		FTG-REDUCER 1/2"TO 3/8 OD TUBE

ENGINE SUB CONT.



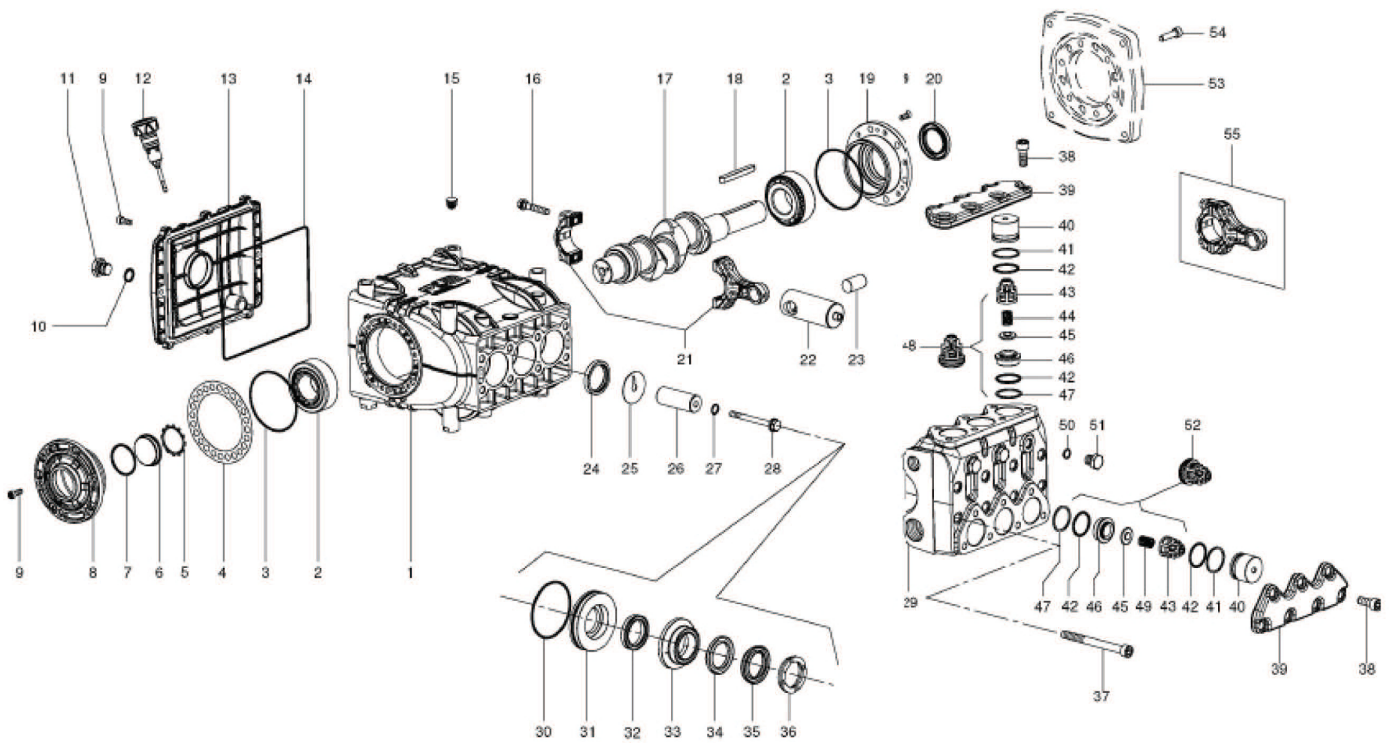
ENGINE SUB					
ITEM	PART NO.		QTY		DESCRIPTION
	DUAL	SINGLE	DUAL	SINGLE	
31	3304040		1		SWITCH-OIL PRESSURE SW 75
32	3305640		1		FTG-NIPPLE 1/8BPT-1/8NPT BRASS
33	3313288		1		SWITCH-WATER TEMP SHUTDOWN KBA
34	3334348		1		FTG-BRASS TEE
35	500020	3336958	1		PUMP-WATER 5000 PSI
36	3336960		1		VALVE - UNLOADER, 4000 PSI REGULATOR
37	3400079		2		NUT-HEX 3/8-16 ES ZP
38	3400080		2		NUT-HEX 5/16-18 ES ZP
39	3400087		3		WASHER 3/8 ID .81 OD X .065 THK
40	3400088		9		WASHER 5/16 ID .688 OD X .065 THK
41	3400149		3		SCREW-HHM 1/4-20 X 1.5 LG
42	3400217		1		FTG-PIPE PLUG HEX SOC 1 1/2 MPT
43	3400244		2		FTG-90 SWIVEL 8JIC
44	3400250		1		SWIVEL NUT RUN TEE-#8, MJ-FJX-MJ
45	3400466		2		SCR-HEX 5/16-18 X 2.50 GR 5
46	3401477	3400611	4		SCR-HHM M12X1.75 / M10X 1.5 X 40MM ZP
47	3400722		3		FTG-90 EL 1/2MP X 6JIC
48	600950	3401428	4		WASHER-7/16 ID X .92 OD, .065 THK, ZP
49	600691	3401458	4		WSH-LOCK, 10 MM ZP
50	3401476		2		SCR- SET 3/8-16 X .75
51	3401563		16		WASHER-LOCK, M14, ZP
52	3401601		1		SCR-HEX 3/8-16 X 2.25 ZP
53	3401663		4		SCR-HEX M14-1.5 X 30 MM ZP

MAIN PUMP DUAL



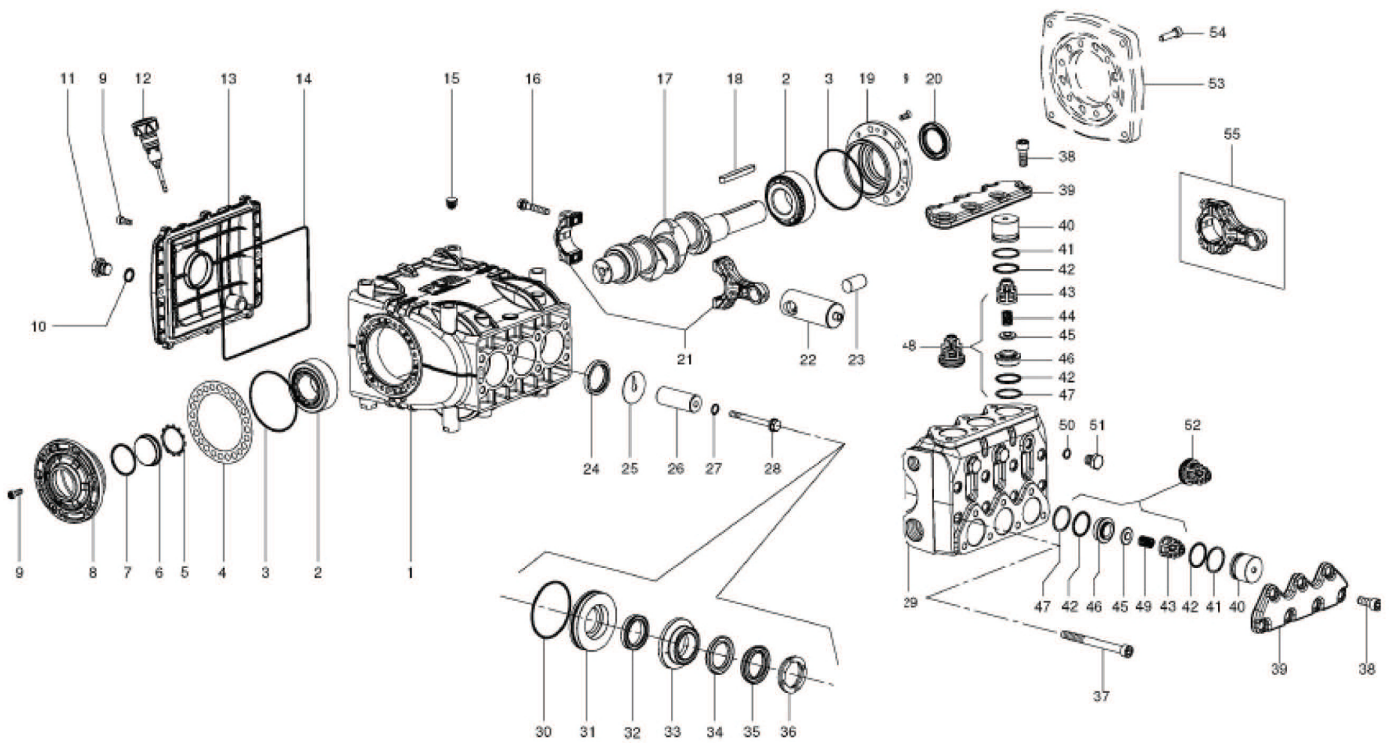
MAIN PUMP DUAL			
ITEM	PART NO.	QTY	DESCRIPTION
1	500672	1	Crankcase
2	500673	2	Roller bearing
3	500674	2	O-ring Ø 80.6 x 2.62
4	500675	-	Shim 0.1
	500676		Shim 25
	500677		Shim 0.35
5	500678	1	Ring
6	500679	1	Oil level indicator
7	500680	1	O-ring Ø 39.34 x 2.62
8	500681	1	Oil level indicator side bearing cover
9	500682	20	Screw M6 x 16
10	500683	1	O-ring Ø 13.95 x 2.62
11	500684	1	Plug G3/8"
12	500685	1	Dipstick
13	500686	1	Crankcase cover
14	500687	1	O-ring Ø 196.52 x 2.62
15	500688	7	Plug for Ø 15 port
16	500689	6	Connecting rod screw
17	500690	1	Crankshaft
18	500691	1	Crankshaft key
19	500692	1	Motor side bearing cover
20	500693	1	Oil seal 35 x 52 x 7 Spec.
21	500694	3	Connecting rod
22	500695	3	Piston guide
23	500696	3	Pin Ø 18 x 36
24	500697	3	Seal 36 x 47 x 7
25	500698	3	Wiper
26	500699	3	Plunger KE20
	500700		Plunger KE22
	500701		Plunger KE24
	500702		Plunger KE28
	500703		Plunger KE30
27	500704	3	O-ring Ø 11 x 2 Spec.
28	500705	3	Plunger bolt

MAIN PUMP DUAL CONT



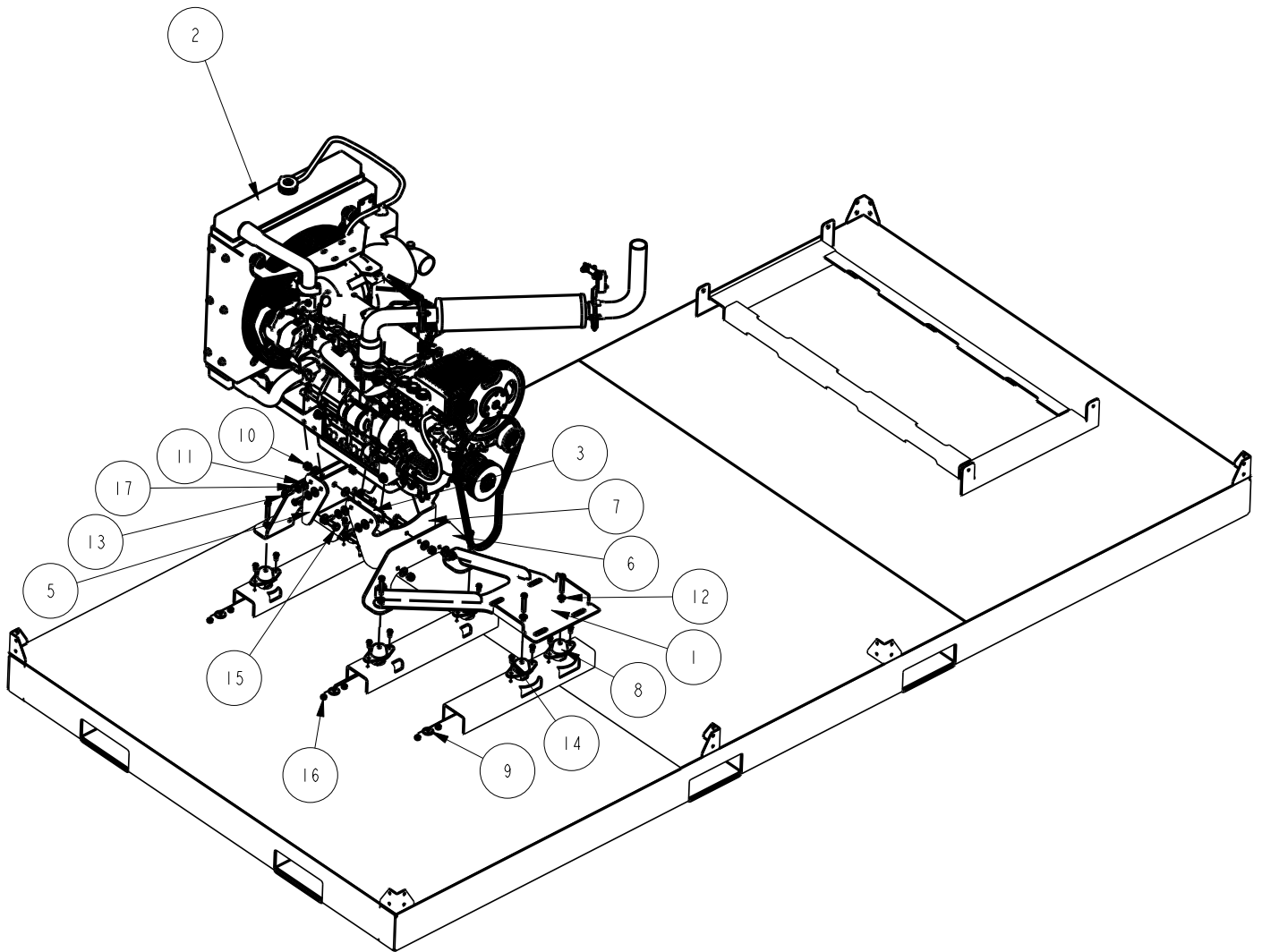
MAIN PUMP DUAL			
ITEM	PART NO.	QTY	DESCRIPTION
29	500706	1	Manifold Ø 20
	500707		Manifold Ø 22-24
	500708		Manifold Ø 28-30
	500709		Manifold, NP T. KE20A
	500710		Manifold, NPT, KE22A & KE24A
	500711		Manifold, NPT, KE28A & KE30A
30	500712	3	O-ring Ø 50.52 x 1.78
31	500713	3	Packing retainer Ø 20
	500714		Packing retainer Ø 22
	500715		Packing retainer Ø 24
	500716		Packing retainer Ø 28
	500717		Racking retainer
32	500718	3	L.P. packing, Ø 20
	500719		L.P. packing, Ø 22
	500720		L.P. packing, Ø 24
	500721		L.P. packing, Ø 28
	500722		L.P. packing, Ø 30
33	500723	3	Middle ring, Ø 20
	500724		Middle ring, Ø 22
	500725		Middle ring, Ø 24
	500726		Middle ring, Ø 28
	500727		Middle ring, Ø 30
34	500728	3	Restop ring, Ø 20
	500729		Restop ring, Ø 22
	500730		Restop ring, Ø 24
	500731		Restop ring, Ø 28
	500732		Restop ring, Ø 30
35	500733	3	H.P. packing, Ø 20
	500734		H.P. packing, Ø 22
	500735		H.P. packing, Ø 24
	500736		H.P. packing, Ø 28
	500737		H.P. packing, Ø 30

MAIN PUMP DUAL CONT.



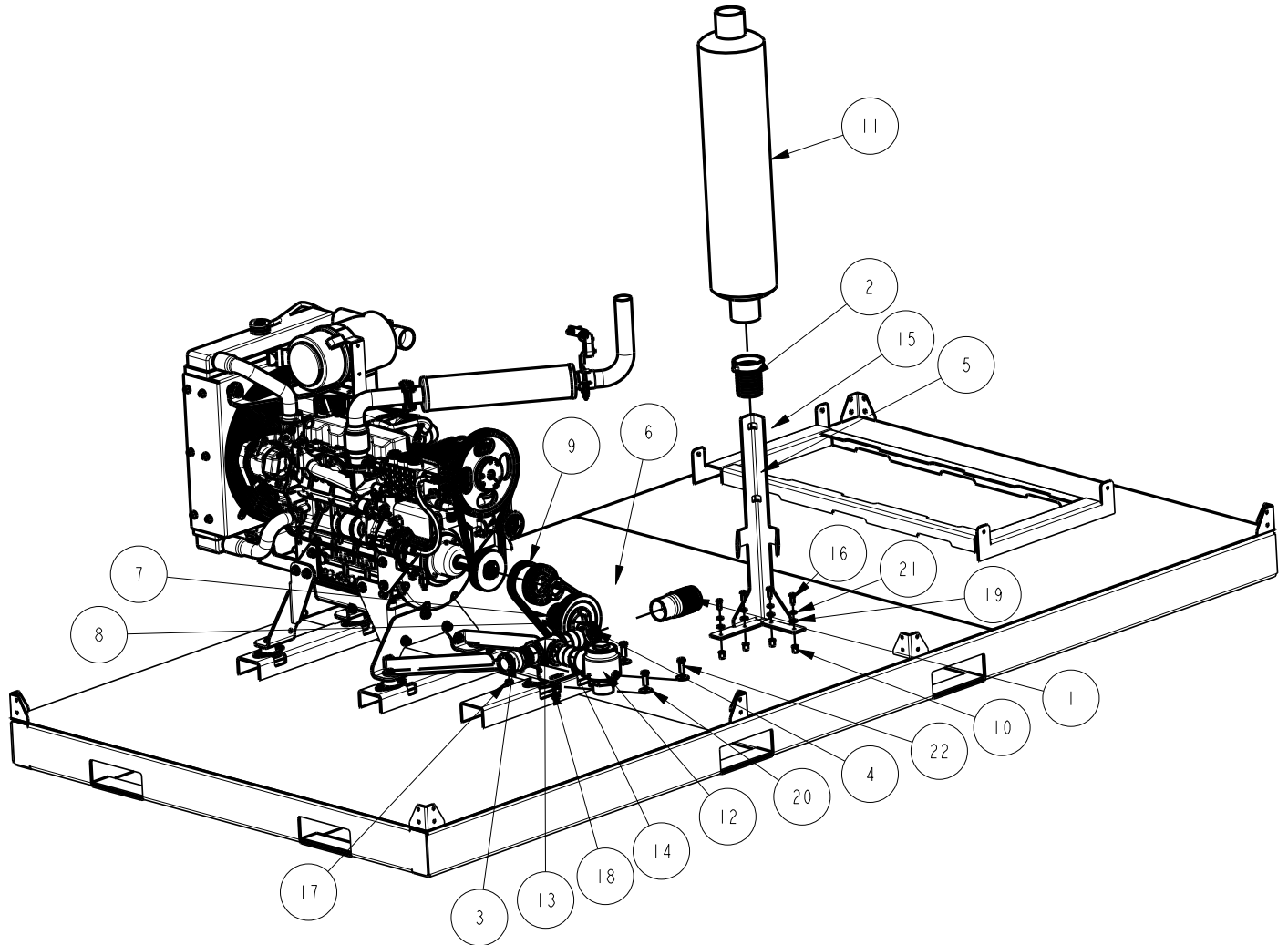
MAIN PUMP DUAL			
ITEM	PART NO.	QTY	DESCRIPTION
36	500738	3	Front ring, Ø 20
	500739		Front ring, Ø 22
	500740		Front ring, Ø 24
	500741		Front ring, Ø 28
	500742		Front ring, Ø 30
37	500743	8	Screw, M10 x 110
38	500744	14	Screw, M10 x 25 Spec.
39	500745	2	Valve cover
40	500746	6	Valve plug
41	500747	6	Back-up ring, Ø 32.4 x 36.5 x 1.5
42	500748	12	O-ring, Ø 29.82 x 2.62
43	500749	6	Suction/delivery valve guide
44	500750	3	Delivery valve spring
45	500751	6	Suction/delivery valve plate
46	500752	6	Suction/delivery valve seat
47	500753	6	Back-up ring, Ø 31 x 35.5 x 1.5
48	500754	3	Delivery valve assembly
49	500755	3	Suction valve spring
50	500756	3	O-ring Ø 10.82 x 1.78
51	500757	3	Plug G1/4" x 13
52	500758	3	Suction valve assembly
53	500759	1	Hydraulic motor flange
54	500760	6	Screw M8 x 30
55	500761	3	Connecting rod assembly
-	500762	-	REPAIR KIT (INCLUDES 30-32-34-35)
-	500763	-	REPAIR KIT (INCLUDES 42-43-45-46-47-49-52)
-	500764	-	REPAIR KIT (INCLUDES 42-43-44-45-46-47-48)

ENGINE MOUNTS



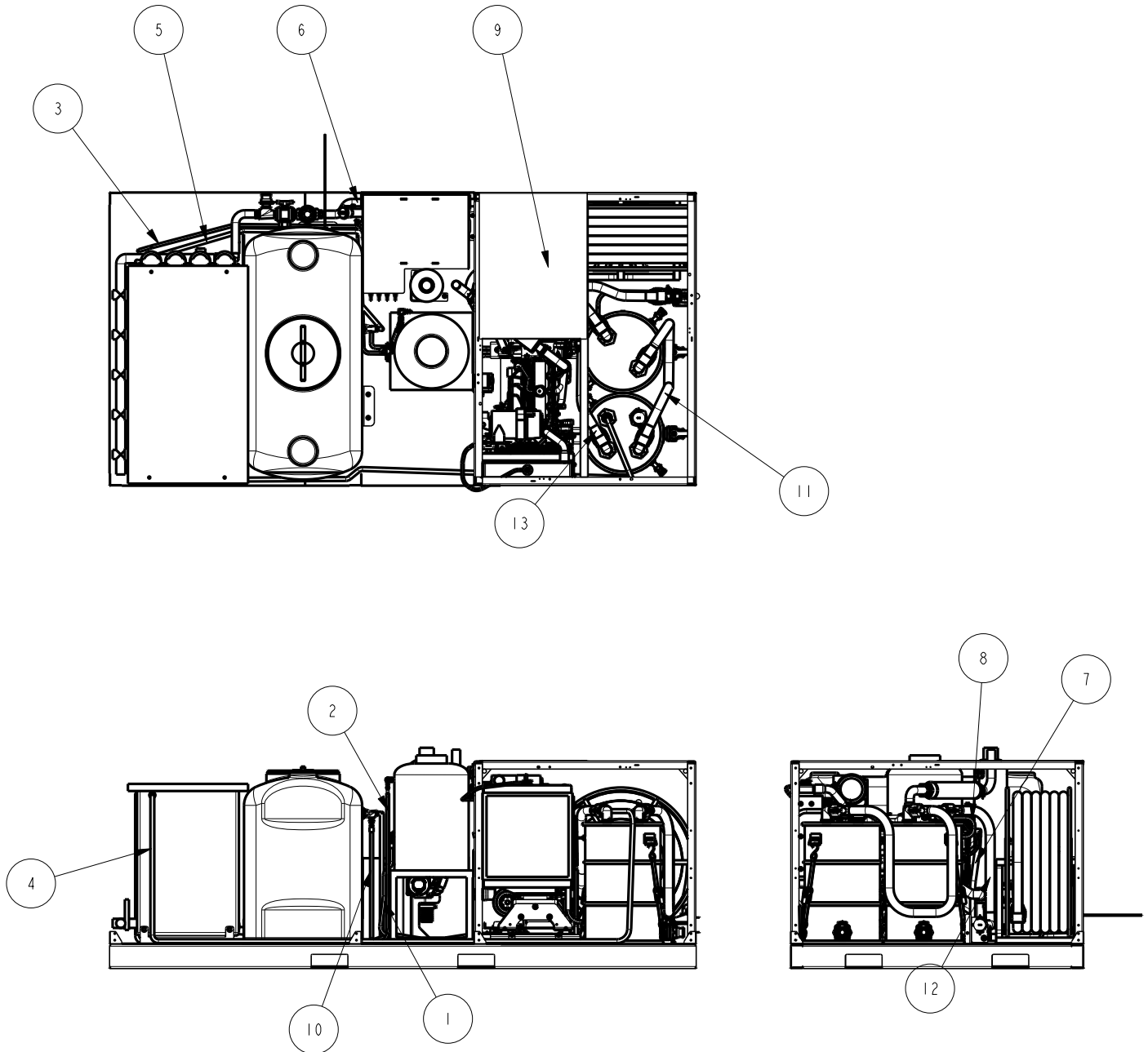
ENGINE MOUNTS			
ITEM	PART NO.	QTY	DESCRIPTION
1	500396	1	WDT-BLOWER TO ENGINE MNT
2	500400	1	POWERBLAST-2203 DSL ENG SUB
3	500440	2	ENGINE SPACER
4	501234	2	3V BELT - WATER PUMP, 50"
5	502205	1	MOUNT - FRONT, 2403MT
6	502206	2	MOUNT - LOWER, 2403MT
7	502207	1	MOUNT - REAR, 2403MT
8	600212	6	ISOLATOR - ENGINE VIBRATION
9	3307187	6	SPACER 1-IMPELLER PLTD SW/A
10	3400078	6	NUT-HEX 1/2-13 ES ZP
11	3400086	28	WASHER-FLAT 1/2 STANDARD ZP
12	3400087	13	WASHER 3/8 ID .81 OD X .065 THK
13	3400296	12	SCR-HEX M12 X 1.25 X 30 MM, ZP
14	3400314	12	SCR - HEX, 5/16-18X0.62 ZP
15	3400709	6	HCS 1/2-13 x 1.5 Z5
16	3401028	18	NUT, 3/8-16 ELASTIC STOP (ES)
17	3401563	16	WASHER-LOCK, M14, ZP

ROOTS BLOWER GROUP-500560
ROOTS BLOWER



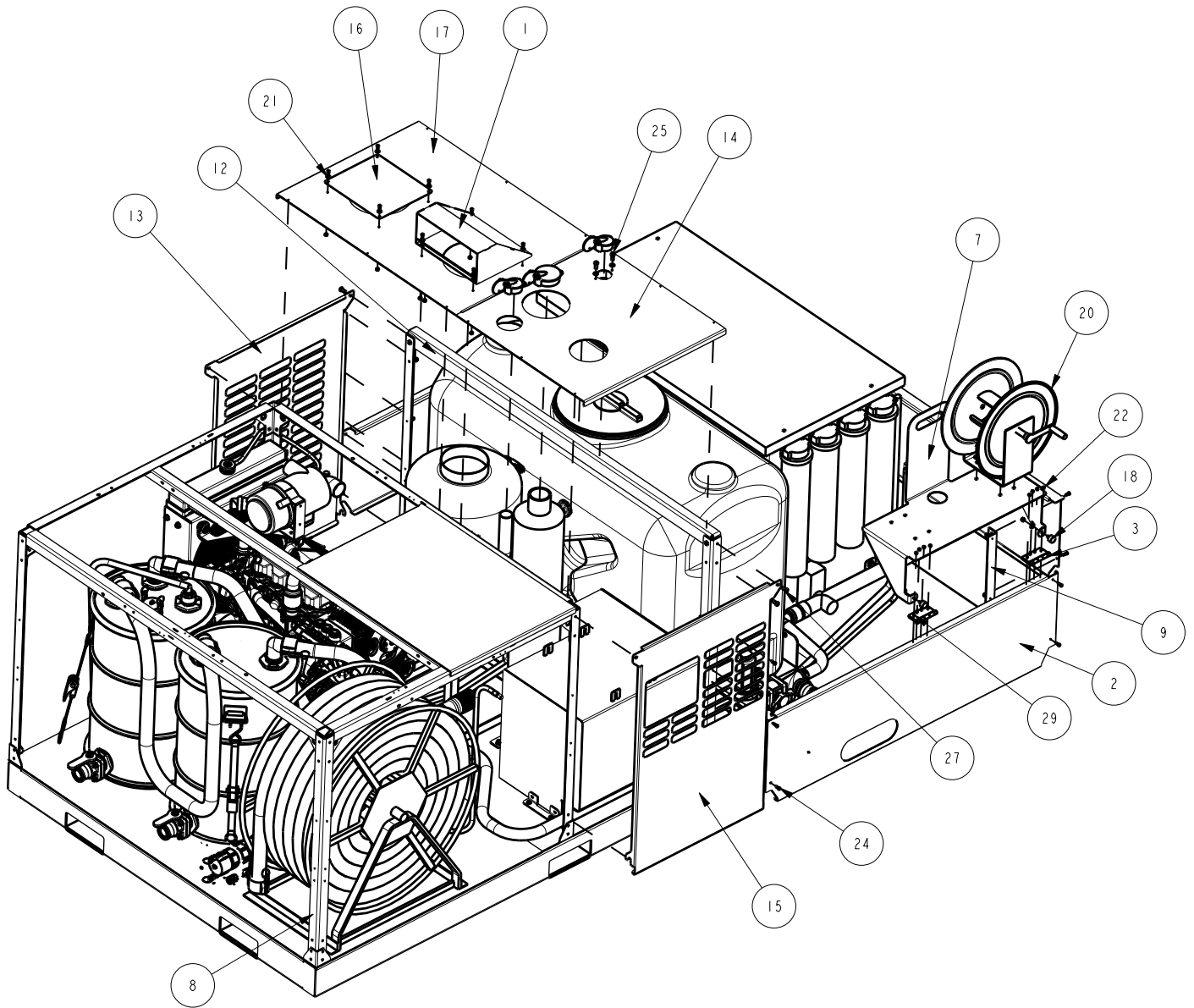
ROOTS BLOWER GROUP-500560			
ITEM	PART NO.	QTY	DESCRIPTION
1	500053	1	FTG-2 1/2" NPT TO 3" HOSE BARB
2	500054	1	FTG- 3" FEMALE NPT TO 3" HOSE BARB
3	500069	1	MALE ADAPTER 2" MALE THREAD
4	500105	1	FTG- 2 1/2" DOWN TO 2" HEX BUSHING
5	500165	1	MUFFLER MOUNT
6	500169	1	BLOWER - POWERBLAST VACUUM SYSTEM
7	500407	1	BUSHING-7/8
8	500408	1	PULLEY- DOUBLE 3V, 5.0"
9	501235	2	3V BELT - VACUUM PUMP, 32.75"
10	3322189	4	INSERT 3/8-16 X .15 LG ZP
11	3336908	1	SILENCER - 3" SILENCER
12	3336909	1	VALVE-VACUUM RELIEF
13	3336986	1	TEE - 2" DIA. STEEL
14	3336991	2	PIPE NIPPLE - 2" X 5"
15	3343755	2	CLAMP - HOSE, DIAM. 10" SS
16	3400030	4	SCREW-HHM 3/8-16 X 1.0 LG ZP
17	3400078	4	NUT-HEX 1/2-13 ES ZP
18	3400086	4	WASHER-FLAT 1/2 STANDARD ZP
19	3400087	4	WASHER 3/8 ID .81 OD X .065 THK
20	3400091	4	WASHER-FENDER 1/2 ZP
21	3400101	4	WASHER-LOCK 3/8 SPLIT ZP
22	3400709	4	HCS 1/2-13 x 1.5 Z5
-	500254	-	HOSE-SS BLOWER EXHAUST

HOSES



HOSES			
ITEM	PART NO.	QTY	DESCRIPTION
1	500046	1	HOSE- 1/2"ID X 90", F#8 TO F#8
2	500047	1	HOSE- 3/8"ID X 146", F#6 TO F#6
3	500049	1	HOSE- 3/8"ID X 150", F#6 TO F#6
4	500423	1	HOSE- 3/4"ID X 181"
5	500424	1	HOSE- 3/4"ID X 124"
6	500426	1	HOSE
7	500428	1	HOSE- 1"ID X 28"
8	500430	1	HOSE- 3/8"ID X 16", F#6 90 TO F#6 90
9	500431	1	HOSE- 3/8"ID X 86", F#6 TO F#6
10	500460	1	HOSE- 1/2"ID X 108", F#8 TO F#8
11	3339697	1	HOSE-JUMP 2.0IN ID 5FT LG FEMALE BANJO C
12		1	HOSE-JUMP 2.0IN ID 5FT LG FEMALE BANJO C
13		1	HOSE-JUMP 2.0IN ID 5FT LG FEMALE BANJO C
-	500048	1	HOSE- 3/8"ID X 160", F#6 90 TO F#6 (DUAL ONLY)

CENTER COVERS GROUP-500034
CENTER COVERS

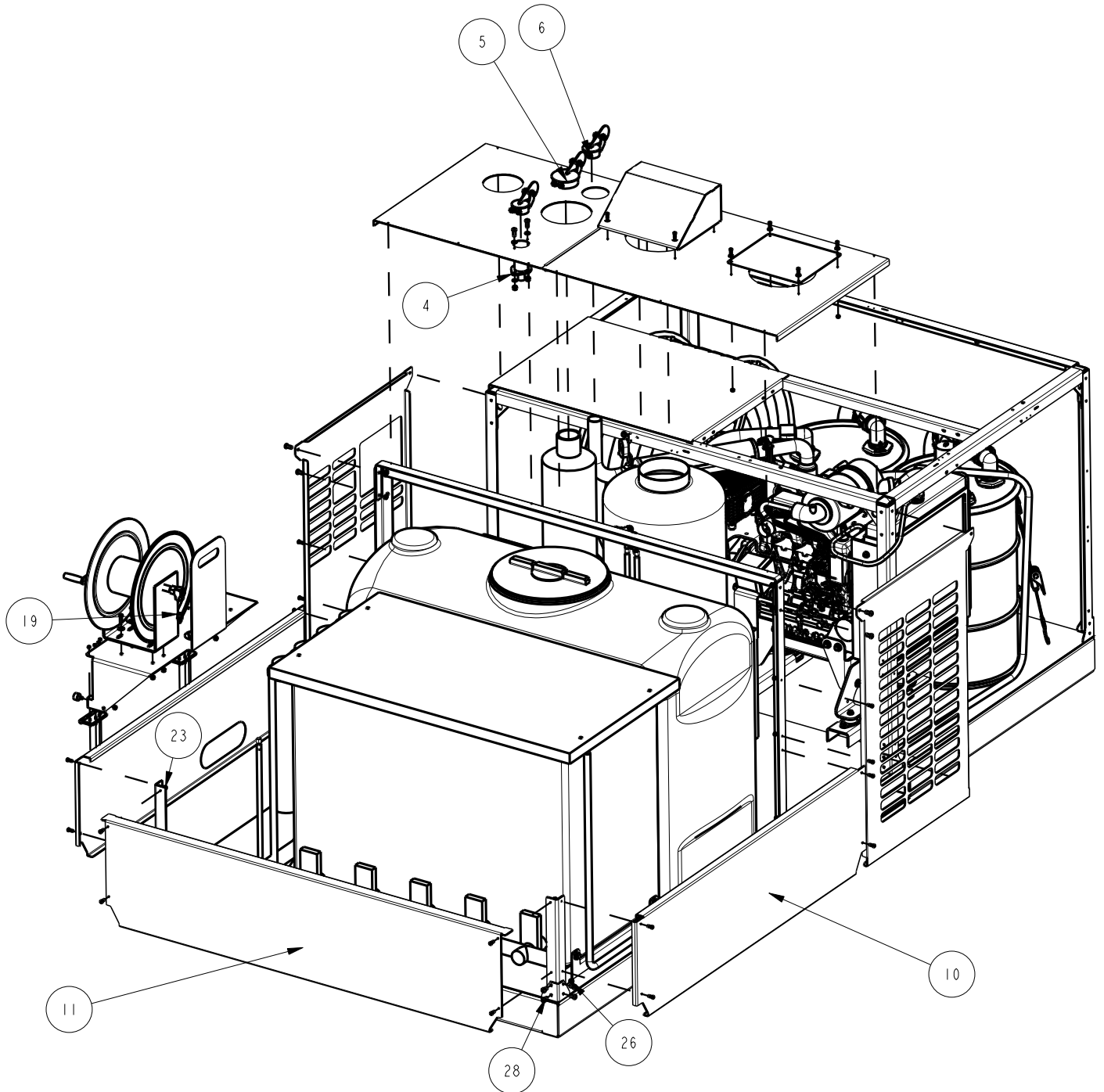


PARTS BREAKDOWN

CENTER COVERS					
ITEM	PART NO.		QTY		DESCRIPTION
	DUAL	SINGLE	DUAL	SINGLE	
1	500030		2	1	WDT---BURNER COVER
2	500040		1		PANEL-REEL SIDE
3	500042		2		HINGE-STEEL MORTISE-MOUNT TEMPLATE, BRASS FINISH
4	500147		1		WDT-TOP EXHAUST FLANGE
5	500187		1		TRACTOR CAP 3.5"
6	500188		2		TRACTOR CAP 2"
7	500451		1		HOSE REEL MOUNT, POWERBLAST
8	502101		2		UPRIGHT, UPPER FRAME, FRONT
9	502151		2		WD---UPRIGHT, UPPER FRAME, FRONT
10	502152		1		PANEL - CONTROL SIDE
11	502153		1		PANEL - CONTROL SIDE
12	502154		1		CROSSBAR - PARTIAL COVERS
13	502155		1		PANEL - WATER HEATER COVER
14	502157		1		PANEL - GENERATOR COVER
15	502166		1		PANEL - WATER HEATER COVER
16	N/A	502168	N/A	1	PANEL - SINGLE BURNER COVER
17	502220		1		PANEL - BURNER COVER
18	600220		2		BUMPER- 1.00 X .625 T
19	3306220		1		FTG-CONN REMOTE OIL FILTER
20	3337237		2	1	250' HOSE REEL 4000 PSI
-	3339895		2	1	100' X 3/8 4000 PSI HOSE
-	3339883		2	1	HOSE REEL VALVE - NICKEL PLATED (ONE PER HOSE)
-	500257		2	1	3/8" MNPT TO FEM QUICK DISCONNECT (ONE PER HOSE)
21	3400089		8		WASHER 1/4 ID .63 OD X .065 THK
22	3400172		16		NUT-HEX JAM #10-32 ES ZP
23	3400373		23		NUT-HEX 1/4-28-ES-ZP
24	3400641		24		SCREW BH 1/4-28 X .75 LG
25	3400790		2		SCREW BH 3/8-16 X 1.0 LG
26	3401028		22		NUT, 3/8-16 ELASTIC STOP (ES)
27	3401470		6		SCREW BHCS 3/8-16 X 7/8 LG ZP
28	3401608		16		SCREW BH 3/8-16 X 0.750 LG
29	3401668		16		SCR-FLAT #10-32 x 5/8" ZP

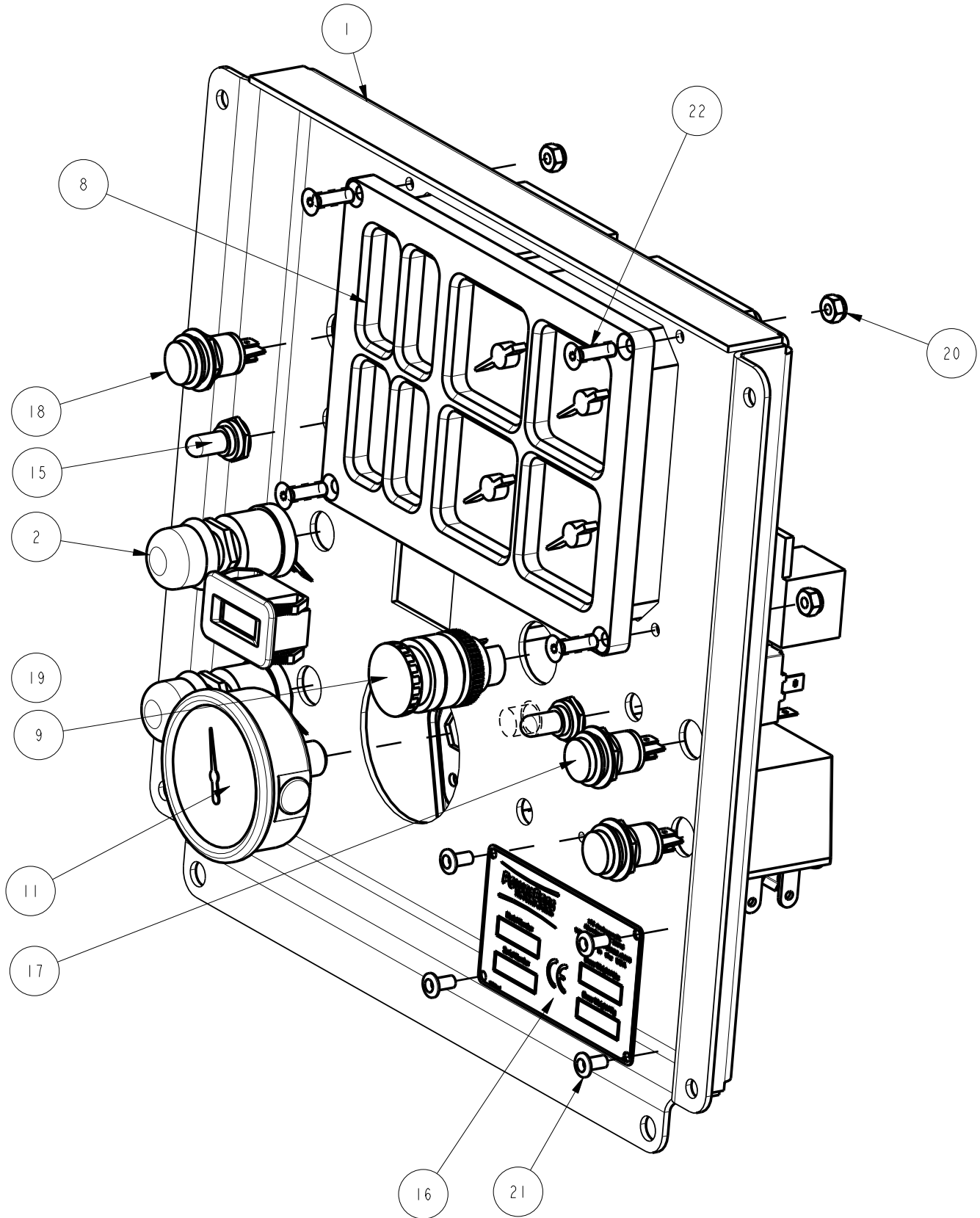
FRONT COVERS GROUP-500540

FRONT COVERS



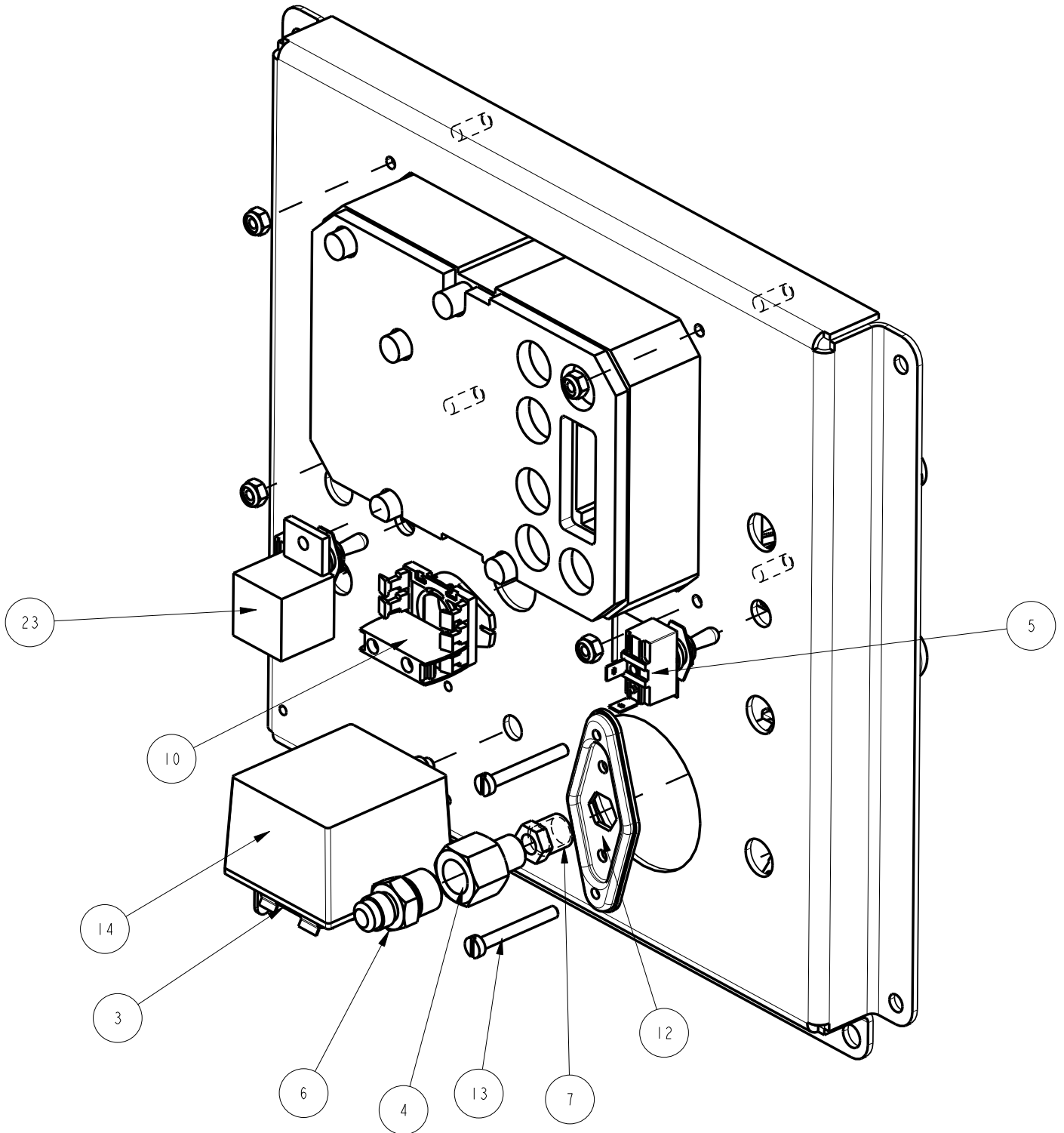
FRONT COVERS					
ITEM	PART NO.		QTY		DESCRIPTION
	DUAL	SINGLE	DUAL	SINGLE	
1	500030		2	1	WDT---BURNER COVER
2	500040		1		PANEL-REEL SIDE
3	500042		2		HINGE-STEEL MORTISE-MOUNT TEMPLATE, BRASS FINISH
4	500147		1		WDT-TOP EXHAUST FLANGE
5	500187		1		TRACTOR CAP 3.5"
6	500188		2		TRACTOR CAP 2"
7	500451		1		HOSE REEL MOUNT, POWERBLAST
8	502101		2		UPRIGHT, UPPER FRAME, FRONT
9	502151		2		WD---UPRIGHT, UPPER FRAME, FRONT
10	502152		1		PANEL - CONTROL SIDE
11	502153		1		PANEL - CONTROL SIDE
12	502154		1		CROSSBAR - PARTIAL COVERS
13	502155		1		PANEL - WATER HEATER COVER
14	502157		1		PANEL - GENERATOR COVER
15	502166		1		PANEL - WATER HEATER COVER
16	N/A	502168	N/A	1	PANEL - SINGLE BURNER COVER
17	502220		1		PANEL - BURNER COVER
18	600220		2		BUMPER- 1.00 X .625 T
19	3306220		1		FTG-CONN REMOTE OIL FILTER
20	3337237		2	1	250' HOSE REEL 4000 PSI
-	3339895		2	1	100' X 3/8 4000 PSI HOSE
-	3339883		2	1	HOSE REEL VALVE - NICKEL PLATED (ONE PER HOSE)
-	500257		2	1	3/8" MNPT TO FEM QUICK DISCONNECT (ONE PER HOSE)
21	3400089		8		WASHER 1/4 ID .63 OD X .065 THK
22	3400172		16		NUT-HEX JAM #10-32 ES ZP
23	3400373		23		NUT-HEX 1/4-28-ES-ZP
24	3400641		24		SCREW BH 1/4-28 X .75 LG
25	3400790		2		SCREW BH 3/8-16 X 1.0 LG
26	3401028		22		NUT, 3/8-16 ELASTIC STOP (ES)
27	3401470		6		SCREW BHCS 3/8-16 X 7/8 LG ZP
28	3401608		16		SCREW BH 3/8-16 X 0.750 LG
29	3401668		16		SCR-FLAT #10-32 x 5/8" ZP

CONTROL PANEL



CONTROL PANEL			
ITEM	PART NO.	QTY	DESCRIPTION
1	502150	1	PANEL - CONTROL, POWERBLAST
2	3300441	2	SWITCH-MOMENTARY STARTER
3	3300446	1	FUSE-15 AMP
4	3303302	1	FTG-REDUCER 3/8 FPT X 1/4 MPT
5	3305950	2	SWITCH-TOGGLE SPST
6	3306220	1	FTG-CONN REMOTE OIL FILTER
7	3308383	1	FTG-REDUCER 1/4 MPT TO 1/8 FPT
8	3315914	1	GAUGE PANEL-STEWART WARNER 4GC
9	3317816	1	SWITCH-EMERGENCY SHUT OFF
10	3317960	1	BLOCK-CONTACT NC
11	3320546	1	GAUGE-PRESSURE QRE 3000
12	3320546	1	GAUGE-PRESSURE QRE 3000
13	3320546	2	GUAGE-PRESSURE QRE 3000
14	3320890	1	RELAY-MURPHY SWITCH QRE
15	3329813	2	BOOT-SWITCH TOGGLE 15/32
16	3335800	1	ID PLATE - SERIAL # INFO (ALUM. DECAL)
17	3336061	2	LIGHT-INDICATOR RED QRE
18	3336062	1	LIGHT-INDICATOR GREEN QRE
19	3336094	1	GAUGE - HOUR METER, DIGITAL, SNAP-IN
20	3400172	4	NUT-HEX JAM #10-32 ES ZP
21	3400484	4	RIVET-AVDEL 3/16 X .602
22	3400724	4	SCREW-FLAT HEAD 10-32 X 0.75, SOC ZP
23	9026467	1	RELAY-12 VDC SPST 30 AMP,BOSCH

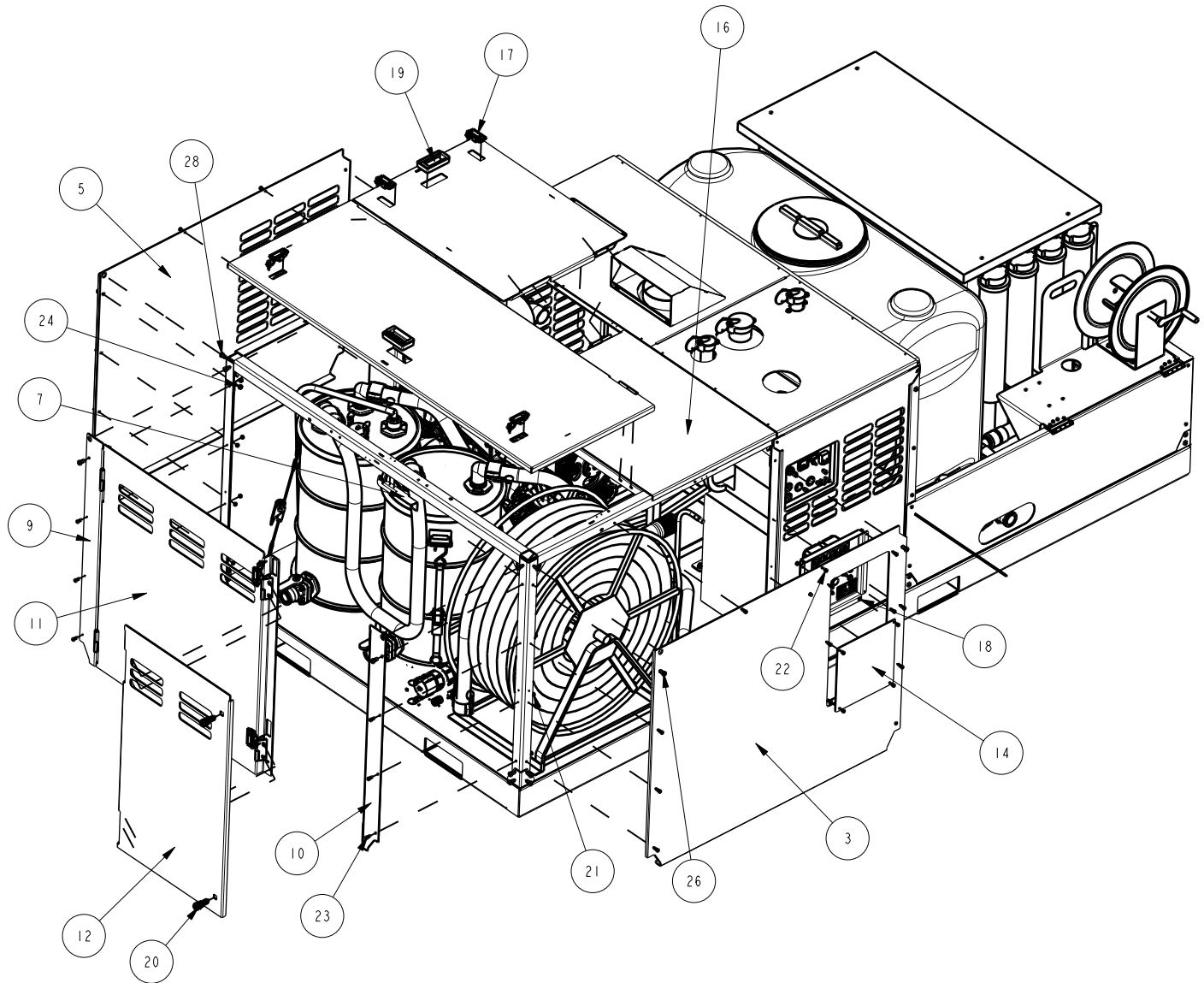
CONTROL PANEL CONT.



CONTROL PANEL CONT.			
ITEM	PART NO.	QTY	DESCRIPTION
1	502150	1	PANEL - CONTROL, POWERBLAST
2	3300441	2	SWITCH-MOMENTARY STARTER
3	3300446	1	FUSE-15 AMP
4	3303302	1	FTG-REDUCER 3/8 FPT X 1/4 MPT
5	3305950	2	SWITCH-TOGGLE SPST
6	3306220	1	FTG-CONN REMOTE OIL FILTER
7	3308383	1	FTG-REDUCER 1/4 MPT TO 1/8 FPT
8	3315914	1	GAUGE PANEL-STEWART WARNER 4GC
9	3317816	1	SWITCH-EMERGENCY SHUT OFF
10	3317960	1	BLOCK-CONTACT NC
11	3320546	1	GAUGE-PRESSURE QRE 3000
12	3320546	1	GAUGE-PRESSURE QRE 3000
13	3320546	2	GUAGE-PRESSURE QRE 3000
14	3320890	1	RELAY-MURPHY SWITCH QRE
15	3329813	2	BOOT-SWITCH TOGGLE 15/32
16	3335800	1	ID PLATE - SERIAL # INFO (ALUM. DECAL)
17	3336061	2	LIGHT-INDICATOR RED QRE
18	3336062	1	LIGHT-INDICATOR GREEN QRE
19	3336094	1	GAUGE - HOURMETER, DIGITAL, SNAP-IN
20	3400172	4	NUT-HEX JAM #10-32 ES ZP
21	3400484	4	RIVET-AVDEL 3/16 X .602
22	3400724	4	SCREW-FLAT HEAD 10-32 X 0.75, SOC ZP
23	9026467	1	RELAY-12 VDC SPST 30 AMP,BOSCH

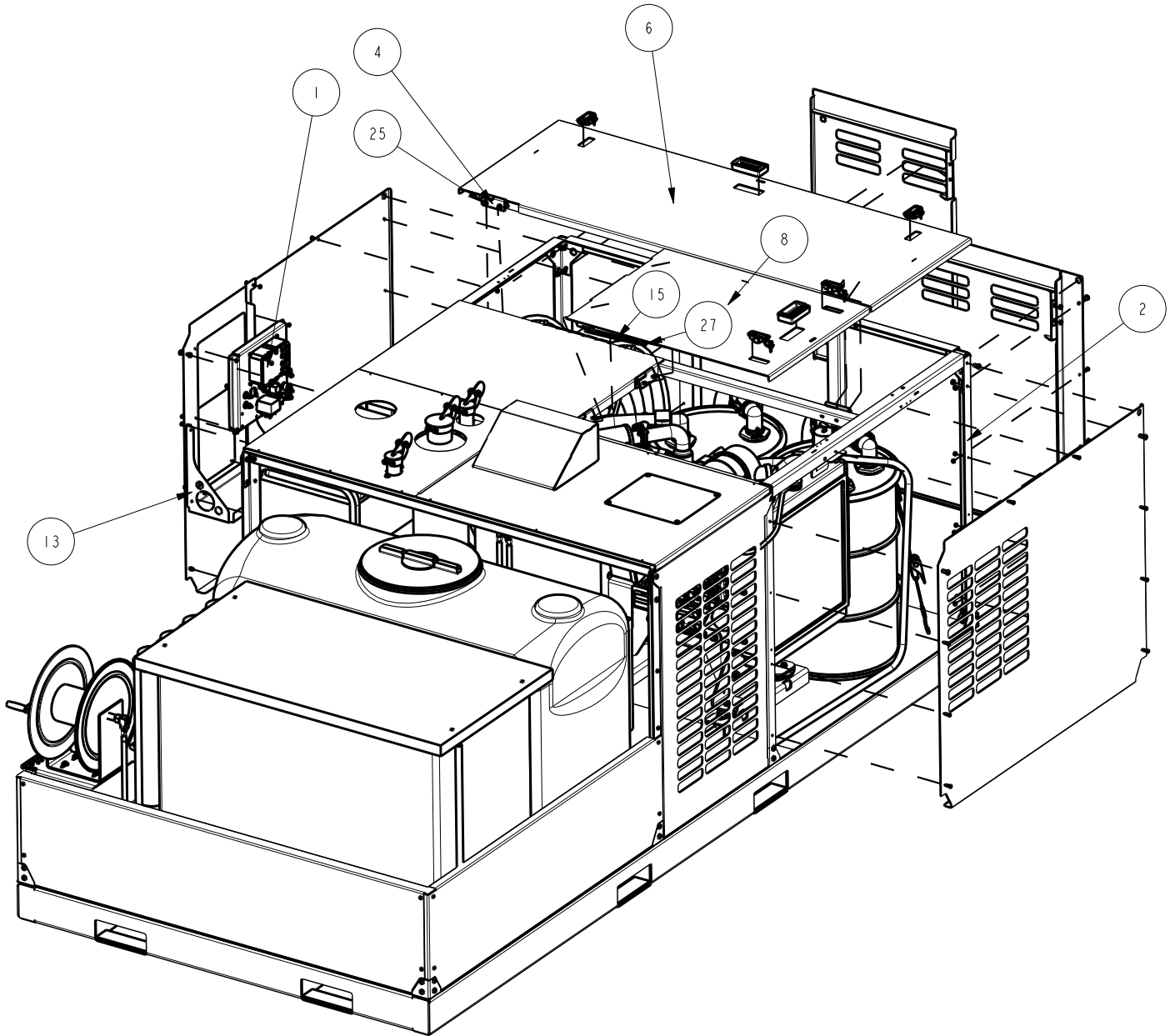
ENGINE COVERS GROUP-500034

ENGINE COVERS



ENGINE COVERS			
ITEM	PART NO.	QTY	DESCRIPTION
1	500112	1	CONTROL PANEL POWERBLAST
2	502101	4	UPRIGHT, UPPER FRAME, FRONT
3	502116	1	PANEL - CONTROL SIDE
4	502117	8	HINGE - REMOVABLE
5	502118	1	PANEL - ENGINE SIDE
6	502121	1	WDT - TOP ACCESS
7	502123	2	PLT - PADLOCK BASE
8	502125	1	WDT - ENGINE COVER
9	502127	1	PANEL - HINGE MNT, REAR ACCESS
10	502128	1	PANEL - LATCH PLT, REAR ACCESS
11	502144	1	WDT - REAR ACCESS DOOR
12	502148	1	WDT - VAC ACCESS DOOR
13	502158	1	TRAY - BATTERY, POWERBLAST
14	502159	1	PANEL - BATTERY COVER
15	502600	2	WDT - LID ROD
16	503100	1	WDT - UPPER FRAME, REAR, POWERBLAST
17	3300380	6	LATCH ASSY.
18	3322191	4	INSERT 1/4-20 X .165 LG ZP
19	3335146	2	HANDLE - RECESSED NYLON INSET (.07-.13 WALL)
20	3343017	2	LATCH, VISE ACTION, LARGE, 7MM KEY
21	3400373	28	NUT-HEX 1/4-28-ES-ZP
22	3400640	5	SCREW BH 1/4-28 X .5 LG
23	3400641	27	SCREW BH 1/4-28 X .75 LG
24	3401028	32	NUT, 3/8-16 ELASTIC STOP (ES)
25	3401098	20	NUT-HEX JAM 5/16-18 ES ZP
26	3401470	6	SCREW BHCS 3/8-16 X 7/8 LG ZP
27	3401474	2	AXLE CAP - 1/4" ID, SS
28	3401608	26	SCREW BH 3/8-16 X 0.750 LG

ENGINE COVERS CONT.



ENGINE COVERS CONT.			
ITEM	PART NO.	QTY	DESCRIPTION
1	500112	1	CONTROL PANEL POWERBLAST
2	502101	4	UPRIGHT, UPPER FRAME, FRONT
3	502116	1	PANEL - CONTROL SIDE
4	502117	8	HINGE - REMOVABLE
5	502118	1	PANEL - ENGINE SIDE
6	502121	1	WDT - TOP ACCESS
7	502123	2	PLT - PADLOCK BASE
8	502125	1	WDT - ENGINE COVER
9	502127	1	PANEL - HINGE MNT, REAR ACCESS
10	502128	1	PANEL - LATCH PLT, REAR ACCESS
11	502144	1	WDT - REAR ACCESS DOOR
12	502148	1	WDT - VAC ACCESS DOOR
13	502158	1	TRAY - BATTERY, POWERBLAST
14	502159	1	PANEL - BATTERY COVER
15	502600	2	WDT - LID ROD
16	503100	1	WDT - UPPER FRAME, REAR, POWERBLAST
17	3300380	6	LATCH ASSY.
18	3322191	4	INSERT 1/4-20 X .165 LG ZP
19	3335146	2	HANDLE - RECESSED NYLON INSET (.07-.13 WALL)
20	3343017	2	LATCH, VISE ACTION, LARGE, 7MM KEY
21	3400373	28	NUT-HEX 1/4-28-ES-ZP
22	3400640	5	SCREW BH 1/4-28 X .5 LG
23	3400641	27	SCREW BH 1/4-28 X .75 LG
24	3401028	32	NUT, 3/8-16 ELASTIC STOP (ES)
25	3401098	20	NUT-HEX JAM 5/16-18 ES ZP
26	3401470	6	SCREW BHCS 3/8-16 X 7/8 LG ZP
27	3401474	2	AXLE CAP - 1/4" ID, SS
28	3401608	26	SCREW BH 3/8-16 X 0.750 LG

WARRANTY

Revision G
Effective September 2010
PowerBoss Made Simple Industrial Limited Warranty

Minuteman International owner of PowerBoss warrants to the original purchaser/user that the product is free from defects in workmanship and materials under normal use. PowerBoss will, at its option, repair or replace without charge, parts that fail under normal use and service when operated and maintained in accordance with the applicable operation and instruction manuals. All warranty claims must be submitted through and approved by factory authorized repair stations.

This warranty does not apply to normal wear, or to items whose life is dependent on their use and care. Parts not manufactured by PowerBoss are covered by and subject to the warranties and/or guarantees of their manufacturers. Please contact Minuteman International for procedures in warranty claims against these manufacturers.

Special warning to purchaser -- Use of replacement parts not manufactured by PowerBoss or its designated licensees, will void all warranties expressed or implied. A potential health hazard exists without original equipment replacement.

All warranted items become the sole property of Minuteman International or PowerBoss or its original manufacturer, whichever the case may be.

PowerBoss disclaims any implied warranty, including the warranty of merchantability and the warranty of fitness for a particular purpose. PowerBoss assumes no responsibility for any special, incidental or consequential damages.

This limited warranty is applicable only in the U.S.A. and Canada, and is extended only to the original user/purchaser of this product. Customers outside the U.S.A. and Canada should contact their local distributor for export warranty policies. PowerBoss is not responsible for costs or repairs performed by persons other than those specifically authorized by PowerBoss. This warranty does not apply to damage from transportation, alterations by unauthorized persons, misuse or abuse of the equipment, use of non-compatible chemicals, or damage to property, or loss of income due to malfunctions of the product. If a difficulty develops with this machine, you should contact the dealer from whom it was purchased.

This warranty gives you specific legal rights, and you may have other rights, which vary from state to state. Some states do not allow the exclusion or limitation of special, incidental or consequential damages, or limitations on how long an implied warranty lasts, so the above exclusions and limitations may not apply to you.

	Travel*	Labor	Parts	Engine	Extended Warranty	Costs
Walk behinds						
Battery sweepers	Ninety days	One year	One year	N/A	2 years Parts + Labor (or 2000 Hours	2%
IC sweepers	Ninety days	One year	One year	Through manufacturer	2 years Parts + Labor (or 2000 Hours	2%
Battery scrubbers	Ninety days	Two years	Three years	N/A	3 Years Parts + Labor (or 3000 Hours)	2%
Riders						
Battery scrubbers	Ninety days	Two years	Three years/2000 hrs	N/A	3 Years Parts + Labor (or 3000 Hours)	2%
IC sweeper/scrubbers	Ninety days	Six months	Two years/2000 hrs	Two years/3000 hrs**	2 years Parts + Labor (or 2000 Hours	3%
IC sweepers	Ninety days	Six months	Four years/3000 hrs	Five years/3000 hrs**	4 Years Parts + 2 Years Labor (or 4000 Hours)	3%
Exceptions						
Apex series sweeper	Ninety days	One year	One year/1000 hrs	One year/1000 hrs**	2 years Parts + Labor (or 2000 Hours)	3%
6X sweeper	Ninety days	Six months	Two years/2000 hrs	Two years/2000 hours**	2 years Parts + Labor (or 2000 Hours)	3%
Other Products						
QRE-3001A	Ninety days	Six months	Two years/2000 hrs	Two years/3000 hours**	2 years Parts + Labor (or 2000 Hours)	3%

Tank Bladders Eight years/ no additional labor
 Polyethylene plastic tanks Ten years/ no additional labor
 Batteries 0-3 months full replacement, 4-12 prorated credit
 Chargers One-year replacement
 Replacement parts Ninety days

*Two-hour cap

**Through engine manufacturer. See section 3 of warranty manual for engine warranty exceptions

*** Based upon dealer's certification status

Extended Warranty MUST be signed up within 30 days of delivery to End User (Dealer has 1Year from Receiving Machine to Sign up extended Warranty)

Extended Warranty Cost is based on Invoice Price multiplied by the Percentage listed in the Extended Warranty Column

All above labor and travel reimbursed at 65 or 75% of the published shop rate.

NOTES



“The Power of Clean”

PowerBoss Is A Full Line Manufacturer Of Sweepers and Scrubbers For Industrial Facilities.

PowerBoss, Inc 175 Anderson Street P.O. Box 1227- Aberdeen North Carolina 28315

Phone: 800-982-7141 - Fax: 1-800-277-7141 Local: 910-944-2105 Fax: 910-944-7409 e-mail: techsupport@powerboss.com

A Member Of The Hako Group