

TOYOTA ENGINE PARTS CATALOG
TOYOTA MOTOR CORPORATION

4P Type Gasoline Engine

Engine No.174000 ~

4P Type Gasoline Engine

CONTENTS	Page
INSTRUCTIONS ON THE USE OF THIS CATALOG	1
HEADINGS & CONTENTS OF ILLUSTRATION AND INDEX	2
STANDARD PARTS LIST	4
ILLUSTRATED INDEX	6
FIG. NO. INDEX	9
ILLUSTRATION & TEXT	10
NUMERICAL PARTS INDEX	47

TOYOTA MOTOR CORPORATION

INSTRUCTIONS ON THE USE OF THIS CATALOG

1. This catalog covers the supplementary parts for Toyota 4P Industrial Gasoline Engine, with serial numbers following.

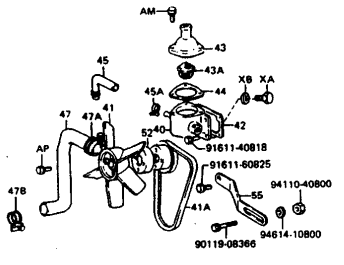
Engine No. 174000 ~

2. This catalog generally classifies the parts by function.
3. The terms "left" and "right" refer to the parts as viewed in the direction of the fan from the engine flywheel side.
4. To ensure accuracy, always check the Engine number before placing parts order.
5. To make most effective use of this catalog, you are advised to become fully familiar with the general information on the next few pages.
6. The illustrations in this catalog are designed to give an approximate idea of the parts. They do not necessarily indicate the exact shape and dimensions.
7. The parts listed herein are subject to design modifications and may be replaced without prior notice with interchangeable ones.

HEADINGS & CONTENTS OF ILLUSTRATION AND INDEX

① **1603**

③ --- (8411- 12J



① FIG. 1603
 ② 5シ-9 & 7オ-9 アウトレット
 ⑦ RADIATOR & WATER OUTLET
 ⑧ 1603- 1
 ⑨

⑥	PROD. DATE	DESCRIPTION	R / P	⑧ PART NUMBER	⑩ Q T Y	⑪ REV. E/G No.
④	1603-01	5シ-9 アッセンブリ RADIATOR ASSY		⑤		
	8411-			:16400-61020		: 1
		キャップ 5シ-9 アッセンブリ, 5シ-9				
	1603-30	CAP SUB-ASSY, RADIATOR				
	8411-			:16401-41021		: 1
		ハウジング, 7オ-9 アウトレット				
	1603-40	HOUSING, WATER OUTLET				
	8411-			:16333-48011		: 1
		ファン				
	1603-41	FAN				
	8411-			:16361-96500		: 1

- ① FIGURE NUMBER (FIG. NO.)
- ② MAIN TITLE
The main title gives the name and other pertinent details for the main part in the figure.
- ③ SUB TITLE
The sub title gives the engine model, production date, etc. for the parts shown in each figure.
- ④ PART NAME CODE
The part name code made up of the Figure No. and the Illustration code the part has on the drawing serves as your index to the part number list. Standard parts such as nuts and bolts are assigned part numbers in the Figures, but do not appear on the part number list.
- ⑤ PART NAME
The part name is the full name of the Toyota Engine part. Additional description is enclosed in parentheses.
- ⑥ PRODUCTION DATE
The production date indicates the year and month in which production of engines using the parts started and ended.
 (Example) 7904 - 8004 : Engines produced between April 1979 and April 1980.
 7904 - Engines produced in or after April 1979.
- ⑦ DESCRIPTION
The description covers supplementary information where the part number could not be identified or with the limited information for the production date and models, to give explanation on special parts, and to facilitate the collation of the part numbers with actual parts.
 (Example)

Indication	Meaning
[U/S 0.1]	Undersize 0.1 mm
[O/S 1.0]	Oversize 1.0 mm
[STD]	Standard
[OPT]	Option

⑧ R/P (REPLACEMENT PARTS)

A Design Change may preserve or destroy parts interchangeability. When a new part is still applicable to older engines, it is referred to as a replacement part.

(1) Definition of marks in R/P columns

Mark	Definition
#	Old part number
	Main part number for replacement as a set
*	Part to be included with the main replacement part
•	Special part replacement. See Replacement Parts List.

(2) How to find replacement parts.

Replacement parts fall into three main categories.

a) Simple substitution

[Example]

R/P	Part No.
#	32738-10510
	(32738-10511)
	32738-10511

The part No. in parentheses is the one for the replacement.

b) Set substitution

[Example]

R/P	Part No.
#	12201-10010
	(12201-10011)
*	(12180-10011)

Combining the part marked | with parts marked *, yields a set applicable to older models.

c) Special substitution

[Example]

R/P	Part No.
*	11401-60020

A part No. marked * implies that the parts numbers have increased by set substitution or parts are specially substituted to each other. See Substitute Supply Parts List.

⑨ PART NUMBER (PART NUMBER)

⑩ QUANTITY (QTY)

(1) The number in the quantity column is the quantity assigned to the part name code, not indicate the quantity required per engine. Due to the difference of the part name code of the same part, the utilizing quantity is indicated only for a part name code.

[Example]	Part name code	Quantity
	1104-30 Cap Sub Assembly, Oil Filler 12180-70010	1
	1105-XB Cap Sub Assembly, Oil Filler 12180-70010	1

(2) If the quantity varies and can not be determined in advance, the maximum number is given.

(3) If a part may be order in any quantity as required, the quantity is given as ▼ 99 ▼. Similarly, if the quantity is 100 or more, it is also indicated in ▼ 99 ▼.

⑪ REVISED ENGINE NO. (REV. E/G NO.)

If a design change have eliminated interchangeability, the engine No. must first be checked to determine which version is applicable.

(1) The engine No. is a seven digit number stamped on the left side of the cylinder block.

5R ○○○○○○○
Engine No. (7-digit code)

(2) A revision is described by giving the number of the last engine using the old part. This means that a part is only applicable up to the engine number, appear to its right on the list.

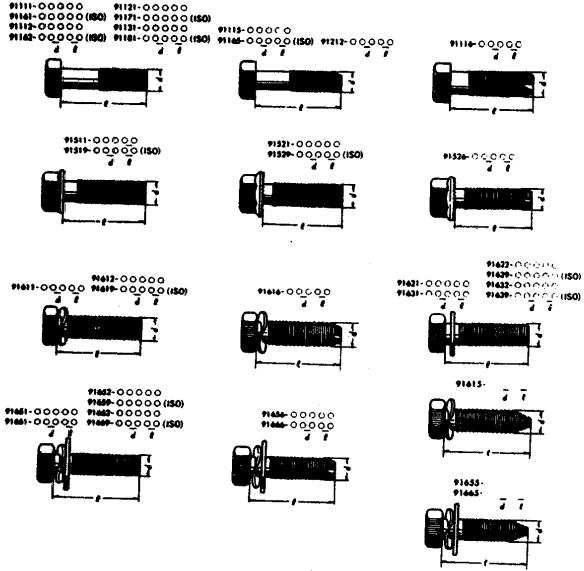
PROD. DATE	DESCRIPTION	R	P	T	Y	REV.	E/G No.
	HOSE, VENTILATION, NO.1						
8411-8602						1	224563
8603						1	

Part No. 12261-96500 applicable up to engine No. 224563.

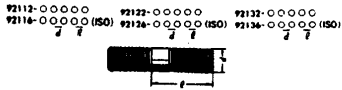
Part No. 12261-96501 applicable to engine No. 224564 and later.

STANDARD PARTS LIST

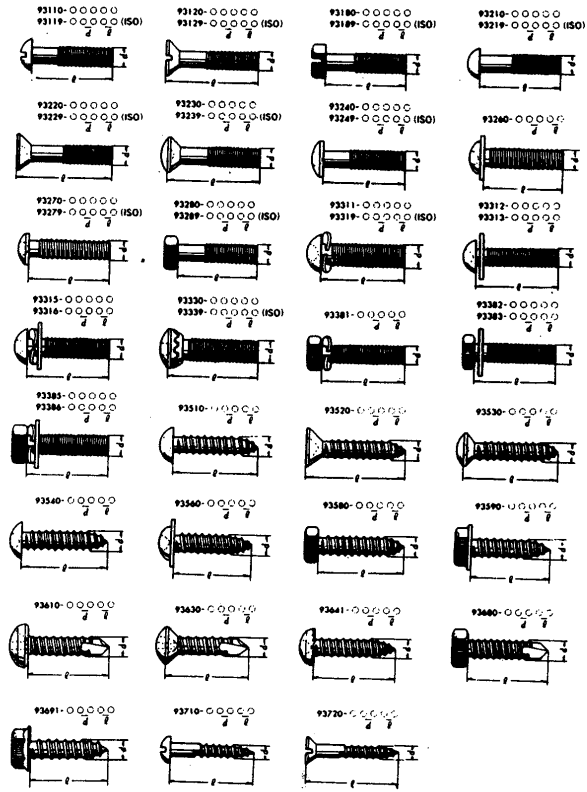
BOLT



STUD BOLT



SCREW

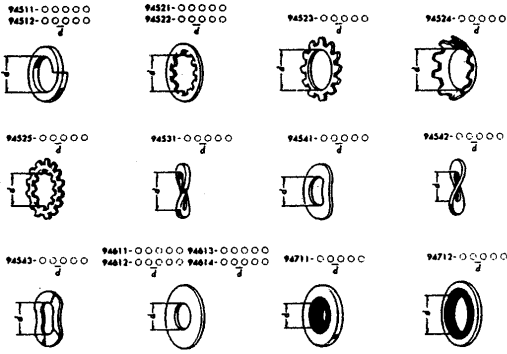


W/

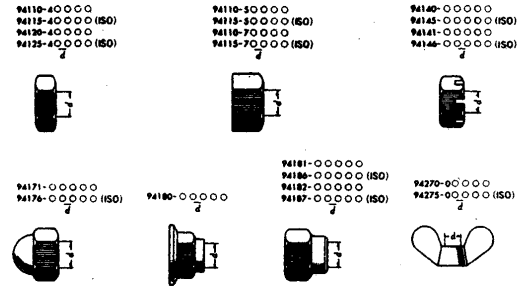
RIV

COT

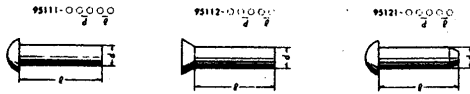
WASHER



NUT



RIVET



COTTER PIN

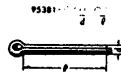


FIG. INDEX

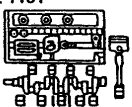
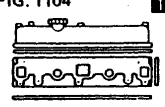
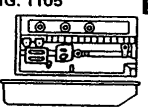
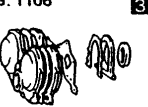


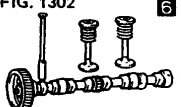
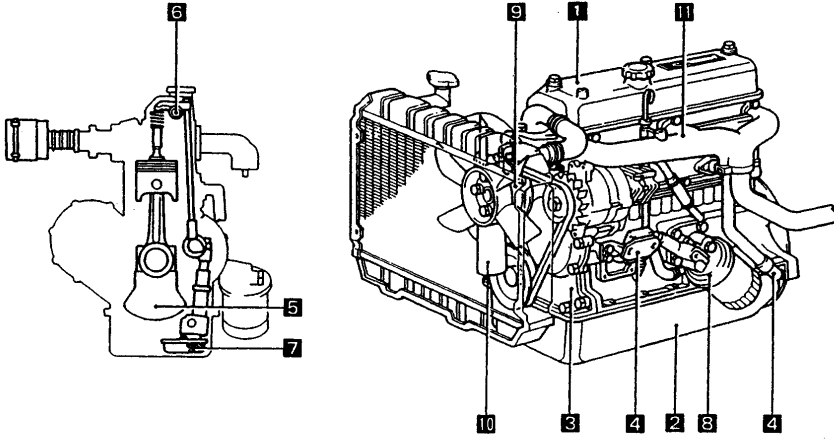

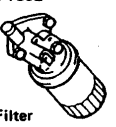
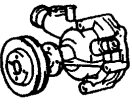
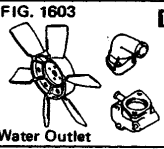

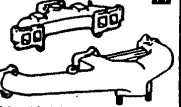
<p>FIG. 1101</p>  <p>Short Block Assembly</p>	<p>FIG. 1104</p>  <p>Cylinder Head</p>	<p>FIG. 1105</p>  <p>Cylinder Block</p>	<p>FIG. 1106</p>  <p>Gear Cover & End Plate</p>	<p>FIG. 1201</p>  <p>Ventilation Hose</p>	<p>FIG. 1301</p>  <p>Crankshaft & Piston</p>	<p>FIG. 1302</p>  <p>Camshaft & Valve</p>
<p>ENGINE GROUP (1/2)</p> 						
					<p>FIG. 1051</p>  <p>Oil Pump</p>	<p>FIG. 1502</p>  <p>Oil Filter</p>
					<p>FIG. 1601</p>  <p>Water Pump</p>	<p>FIG. 1603</p>  <p>Water Outlet</p>
				<p>FIG. 1703</p>  <p>Air Connector</p>	<p>FIG. 1701</p>  <p>Manifold</p>	

FIG. INDEX


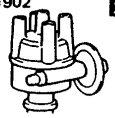
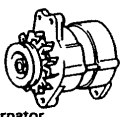
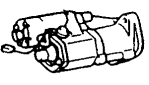
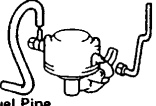

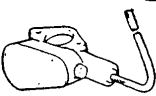
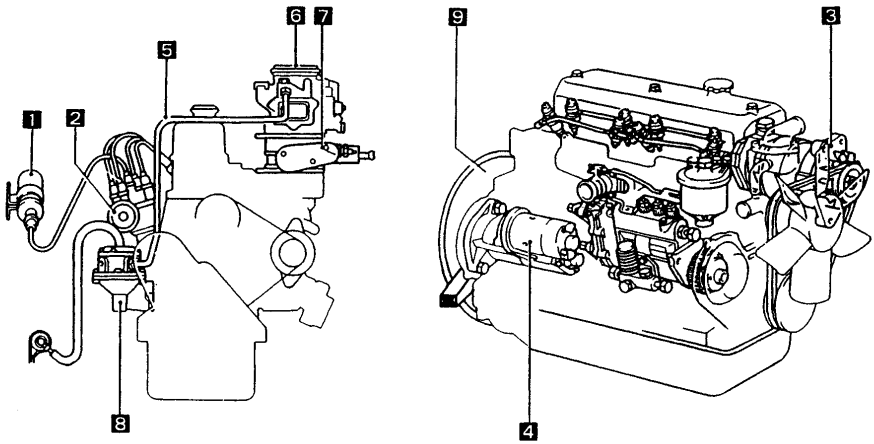
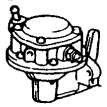

<p>FIG. 1901</p>  <p>Ignition Coil & Cord</p>	<p>FIG. 1902</p>  <p>Distributor</p>	<p>FIG. 1903</p>  <p>Alternator</p>	<p>FIG. 1904</p>  <p>Starter</p>	<p>FIG. 2101</p>  <p>Fuel Pipe</p>	<p>FIG. 2103</p>  <p>Carburetor</p>	<p>FIG. 2105</p>  <p>Air Governor</p>
ENGINE, FUEL GROUP (2/2)						
						
						<p>FIG. 2301</p>  <p>Fuel Pump</p>
						<p>Fig. 3101</p>  <p>Flywheel Housing</p>

FIG NO. INDEX

Fig. No.	Figure Title	Page	Fig. No.	Figure Title	Page
1101	SHORT BLOCK ASSEMBLY	10	2103	CARBURETOR	38
1104	CYLINDER HEAD	11	2105	AIR GOVERNOR	42
1105	CYLINDER BLOCK	13	2301	FUEL PUMP	44
1106	TIMING GEAR COVER & END PLATE	15	2302	FUEL FILTER	45
1201	VENTILATION HOSE	17	3101	FLYWHEEL HOUSING	46
1301	CRANKSHAFT & PISTON	18			
1302	CAMSHAFT & VALVE	20			
1501	OIL PUMP	22			
1502	OIL FILTER	24			
1601	WATER PUMP	25			
1603	WATER OUTLET	27			
1701	MANIFOLD	28			
1703	AIR CONNECTOR	29			
1901	IGNITION COIL & CORD	30			
1902	DISTRIBUTOR	31			
1903	ALTERNATOR	33			
1904	STARTER	35			
2101	FUEL PIPE	37			

1101

1101

FIG. 1101
SHORT BLOCK ASSEMBLY

1101 - 1

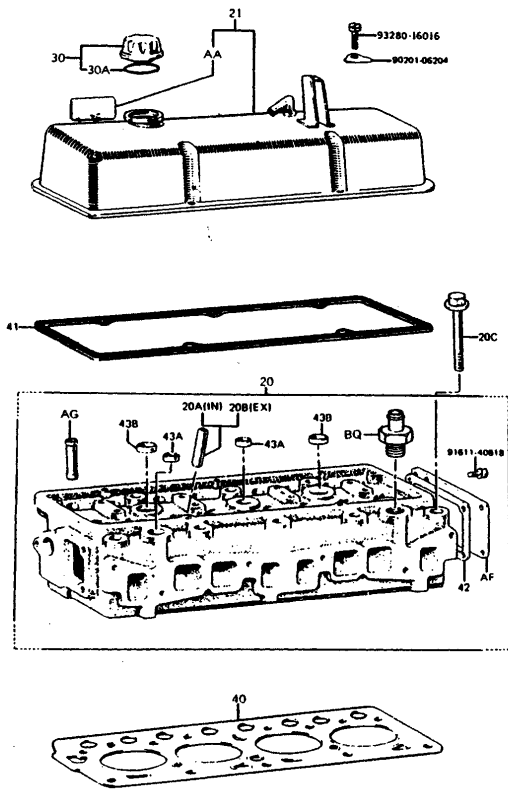
RPOD. DATE	DESCRIPTION	R/P	PARTS NUMBER	Q	REV.
				T	E/G No.
Y					
1101-00	ENGINE ASSY.				
8612-			16000-96033	1	

1104

1104

FIG. 1104
CYLINDER HEAD

1104-1



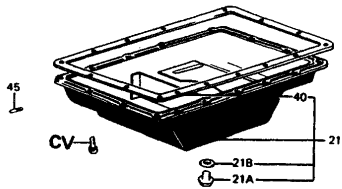
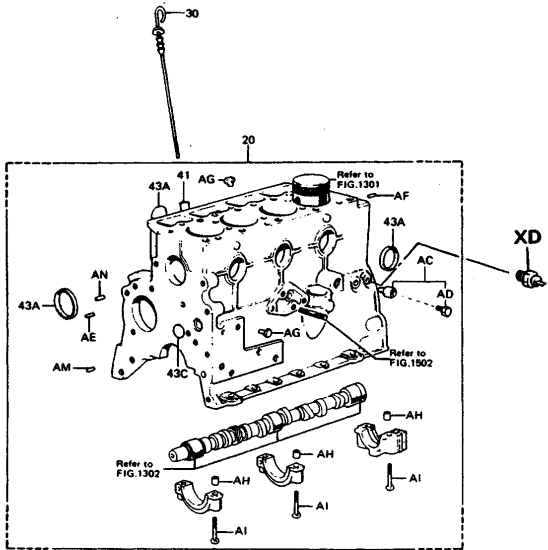
RPOD. DATE	DESCRIPTION	RP	PARTS NUMBER	QTY	REV. E/G No.
	1104-20		HEAD SUB-ASSY, CYLINDER		
8612-			11101-78002-71	1	
	1104-20A		BUSHING, VALVE GUIDE		
8612-			11122-23011	4	
	1104-20B		BUSHING, VALVE GUIDE		
8612-			11121-23011	4	
	1104-20C		BOLT		
8612-			90910-02053	10	
	1104-21		COVER SUB-ASSY, CYLINDER HEAD		
8612-			11201-78003-71	1	
	1104-30		CAP SUB-ASSY, OIL FILLER		
8612-			12108-49045	1	
	1104-30A		RING, O		
8612-			90301-29120	1	
	1104-40		GASKET, CYLINDER HEAD		
8612-			11115-23011	1	
	1104-41		GASKET, CYLINDER HEAD COVER		
8612-			11213-23011	1	
	1104-42		GASKET, CYLINDER HEAD RR PLATE		
8612-			11182-20010	1	

FIG. 1104
CYLINDER HEAD

1104-2

RPOD. DATE	DESCRIPTION	R/P	PARTS NUMBER	Q T Y	REV. E/G No.
8612-	1104-43A PLUG, TIGHT		96411-42000	2	
8612-	1104-43B PLUG, TIGHT		90331-26012	2	
8612-	1104-AA PLATE, ENGINE CAUTION		11293-78002-71	1	
8612-	1104-AF PLATE, CYLINDER HEAD, RR		11181-23010	1	
8612-	1104-AG COVER, PUSH ROD		11139-23011	8	
8612-	1104-BQ UNION		90404-54028	1	

1105



1105

FIG. 1105
CYLINDER BLOCK

1105 - 1

RPOD. DATE	DESCRIPTION	R/P	PARTS NUMBER	Q T Y	REV. E/G No.
	1105-20		BLOCK SUB-ASSY, CYLINDER		
8612-			11401-99015	1	
	1105-21		PAN SUB-ASSY, OIL		
8612-			12101-29036	1	
	1105-21A		PLUG, W/HEAD STRAIGHT SCREW		
8612-			90341-18089	1	
	1105-21B		GASKET		
8612-			90430-18244	1	
	1105-30		GAGE SUB-ASSY, OIL LEVEL		
8612-			15301-78001-71	1	
	1105-40		GASKET, OIL PAN		
8612-			12151-20010	1	
	1105-41		GUIDE, OIL LEVEL GAGE		
8612-			11452-21010	1	
	1105-43A		PLUG, TIGHT		
8612-			96411-43500	8	
	1105-43C		PLUG, EXPANSION		
8612-			90330-21012	2	
	1105-45		NOZZLE, OIL		
8612-			90915-01002	1	

FIG. 1105
CYLINDER BLOCK

1105 - 2

RPOD. DATE	DESCRIPTION	R/P	PARTS NUMBER	Q T Y	REV. E/G No.
8612- 1105-AC	COCK, DRAIN		96431-53828	1	
8612- 1105-AD	PLUG, DRAIN COCK		96432-23814	1	
8612- 1105-AE	PIN, STRAIGHT		90250-08054	1	
8612- 1105-AF	PIN, STRAIGHT		90250-08054	3	
8612- 1105-AG	PLUG, W/HEAD TAPER SCREW		# 90345-51025 (90345-51006)	2	
8612- 1105-AH	PIN, RING		90253-15005	6	
8612- 1105-AI	BOLT		90910-02032	6	
8612- 1105-AM	PLUG, STRAIGHT		90334-07014	1	
8612- 1105-AN	PLUG, STRAIGHT		90334-08004	1	

FIG. 1105
CYLINDER BLOCK

1105 - 3

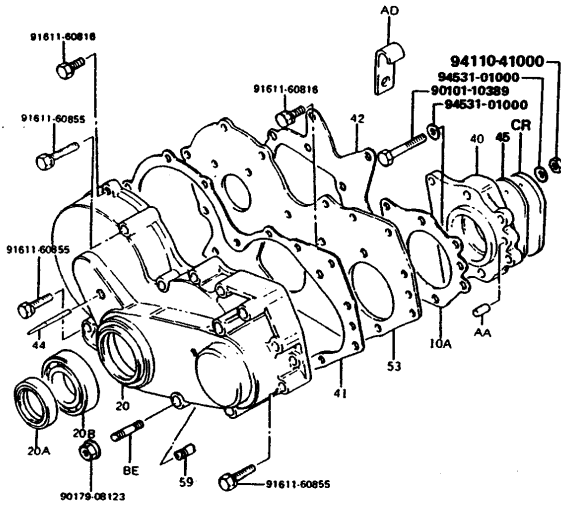
RPOD. DATE	DESCRIPTION	R/P	PARTS NUMBER	Q T Y	REV. E/G No.
8612- 1105-CV	BOLT, W/WASHER		90119-08460	1	
8612- 1105-CV	BOLT, W/WASHER		91611-40818	17	
8612- 1105-XD	SWITCH ASSY, OIL PRESSURE		83530-30060	1	

1106

1106

FIG. 1106
TIMING GEAR COVER & END PLATE

1106 - 1



RPOD. DATE	DESCRIPTION	R/P	PARTS NUMBER	QTY	REV. E/G No.
	1106-10A		GASKET, HYDRAULIC PUMP FLANGE		
8612-			11315-78000-71	1	
	1106-20		COVER, TIMING GEAR		
8612-			11321-78007-71	1	
	1106-20A		SEAL, TYPE T OIL		
8612-			90311-45003	1	
	1106-20B		BEARING		
8612-			97103-06009	1	
	1106-40		FLANGE, HYDRAULIC PUMP		
8612-			11314-78004-71	1	
	1106-41		GASKET, TIMING GEAR COVER		
8612-			11328-78002-71	1	
	1106-42		GASKET, FR END PLATE		
8612-			11312-78001-71	1	
	1106-44		POINTER, TIMING		
8612-			11391-46010	1	
	1106-45		GASKET, HYDRAULIC PUMP FLANGE		
8612-			11315-78150-71	1	
	1106-53		PLATE, FR END		
8612-			11311-78003-71	1	

FIG. 1106

TIMING GEAR COVER & END PLATE

1106 - 2

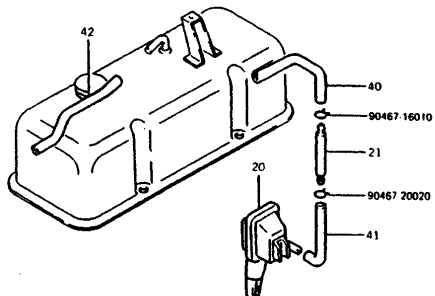
RPOD. DATE	DESCRIPTION	R/P:	PARTS NUMBER	Q T Y	REV. E/G No.
1106-59 8612-	NOZZLE, OIL		90915-01022	1	
1106-AA 8612-	PIN, STRAIGHT		90250-08054	1	
1106-AD 8612-	HANGER, ENGINE		12281-23010	1	
1106-BE 8612-	BOLT, STUD		90116-08150	1	
1106-CR 8612-	COVER, TIMING GEAR, RR		11322-78150-71	1	

1201

1201

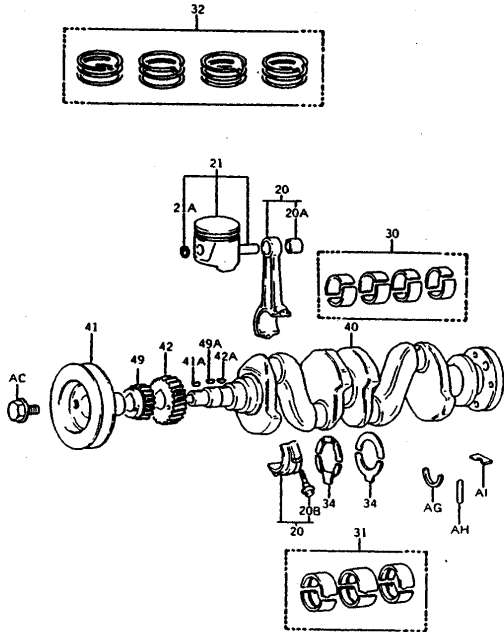
FIG. 1201
VENTILATION HOSE

1201 - 1



RPOD. DATE	DESCRIPTION	RP	PARTS NUMBER	QTY	REV. E/G No.
	1201-20		TUBE SUB-ASSY, VENTILATION		
8612-			12201-78001-71	1	
	1201-21		VALVE SUB-ASSY, VENTILATION		
8612-			12204-31012	1	
	1201-40		HOSE, VENTILATION, NO. 1		
8612-			12261-78001-71	1	
	1201-41		HOSE, VENTILATION, NO. 2		
8612-			12262-78001-71	1	
	1201-42		HOSE, VENTILATION, NO. 3		
8612-			12263-78001-71	1	

1301



1301

FIG. 1301
CRANKSHAFT & PISTON

1301 - 1

RPOD. DATE	DESCRIPTION	R/P	PARTS NUMBER	Q T Y	REV. E/G No.
	1301-20		ROD SUB-ASSY, CONNECTING		
8612-			13201-78001-71	4	
	1301-20A		BUSH, CONNECTING ROD		
8612-			90999-78059	1	
	1301-20B		BOLT		
8612-			90910-02044	2	
	1301-21		PISTON SUB-ASSY, W/PIN		
8612-	[STD]		13101-78001-71	4	
	[O/S 0.50]		13103-78001-71	4	
	[O/S 1.00]		13105-78001-71	4	
	1301-21A		RING, HOLE SNAP		
8612-			90521-23051	8	
	1301-30		BEARING		
8612-	[0.25]		13204-23012	1	
	[0.50]		13205-23012	1	
	[0.75]		13206-23012	1	
	[1.00]		13207-23012	1	
	[STD]		13202-23012	1	
	1301-31		BEARING		
8612-	[0.25]		11704-23011	1	
	[0.50]		11705-23011	1	
	[0.75]		11706-23011	1	
	[1.00]		11707-23011	1	
	[STD]		11702-23011	1	

FIG. 1301
CRANKSHAFT & PISTON

1301 - 2

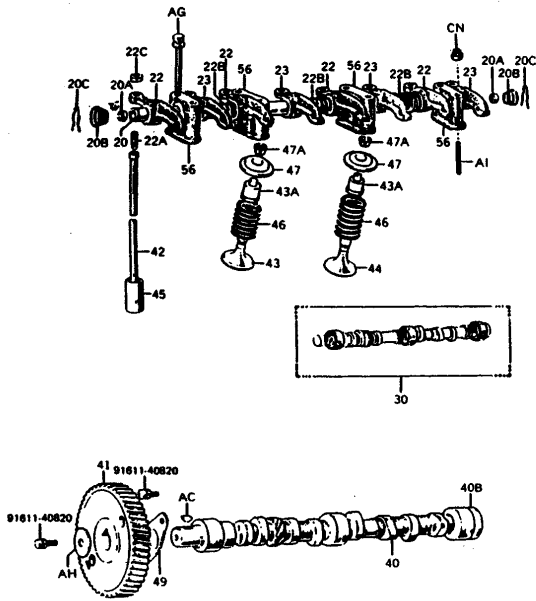
RPOD. DATE	DESCRIPTION	R/P	PARTS NUMBER	Q T Y	REV. E/G No.
	1301-32 RING SET, PISTON				
8612-	[STD]		13011-78001-71	1	
	[O/S 0.50]		13013-78001-71	1	
	[O/S 1.00]		13015-78001-71	1	
88.6-	[STD]		13011-78002-71	1	
	1301-34 WASHER SET, CRANKSHAFT THRUST, STD				
8612-	[STD]		11011-23010	1	
	[O/S 0.125]		11012-23010	1	
	[O/S 0.25]		11013-23010	1	
	1301-40 CRANKSHAFT				
8612-			13411-78002-71	1	
	1301-41 PULLEY, CRANKSHAFT				
8612-			13471-78005-71	1	
	1301-41A KEY				
8612-			95161-10519	1	
	1301-42 GEAR, CRANKSHAFT TIMING				
8612-			13521-78003-71	1	
	1301-42A KEY				
8612-			95161-10519	1	
	1301-49 SPROCKET, CRANKSHAFT TIMING				
8612-			13521-78004-71	1	

FIG. 1301
CRANKSHAFT & PISTON

1301 - 3

RPOD. DATE	DESCRIPTION	R/P	PARTS NUMBER	Q T Y	REV. E/G No.
	1301-49A KEY				
8612-			95161-10519	1	
	1301-AC BOLT, WASHER BASED HEAD HEXAGON				
8612-			90105-12050	1	
	1301-AG SEAL, CRANKSHAFT RR OIL				
8612-			11551-23010	2	
	1301-AH PACKING, BEARING CAP SIDE				
8612-			11555-23010	2	
	1301-AI PACKING, BEARING CAP				
8612-			11553-31010	2	

1302



1302

FIG. 1302
CAMSHAFT & VALVE

1302 - 1

RPOD. DATE	DESCRIPTION	QTY	PARTS NUMBER	REV.
				E/G No.
1302-20	SHAFT SUB-ASSY, VALVE ROCKER			
8612-			13801-23021	1
1302-20A	PLUG, TIGHT			
8612-			90331-14007	2
1302-20B	SPRING, VALVE ROCKER SHAFT TENSION			
8612-			90502-16004	2
1302-20C	SPRING, RETAINER			
8612-			90524-15008	2
1302-22	ARM, VALVE ROCKER, NO. 1			
8612-			13811-23021	4
1302-22A	SCREW, VALVE ADJUSTING			
8612-			90913-05020	8
1302-22B	SPRING, COMPRESSION			
8612-			90501-16163	3
1302-22C	NUT, HEXAGON			
8612-			90170-08094	8
1302-23	ARM, VALVE ROCKER, NO. 2			
8612-			13812-23021	4

FIG. 1302

CAMSHAFT & VALVE

1302 - 2

RPOD. DATE	DESCRIPTION	R/P	PARTS NUMBER	Q	REV.
					E/G No.
	1302-30				
8612-	[0.125]		11803-23010	1	
	[0.25]		11804-23010	1	
	[STD]		11802-23010	1	
	1302-40				
8612-	CAMSHAFT		13511-78000-71	1	
	1302-40B				
8612-	PLUG, TIGHT		90331-51032	1	
	1302-41				
8612-	GEAR, CAMSHAFT TIMING		13523-78000-71	1	
	1302-42				
8612-	ROD, VALVE PUSH		13781-23011	8	
	1302-43				
8612-	VALVE, INTAKE		13711-23021	4	
	1302-43A				
8612-	SEAL, VALVE STEM OIL		90913-02069	8	
	1302-44				
8612-	VALVE, EXHAUST		13715-23021	4	
	1302-45				
8612-	[STD]		13751-44030	1	
	[O/S 0.05]		13755-44030	1	

FIG. 1302

CAMSHAFT & VALVE

1302 - 3

RPOD. DATE	DESCRIPTION	R/P	PARTS NUMBER	Q	REV.
					E/G No.
	1302-46				
8612-	SPRING, COMPRESSION		90501-42627	8	
	1302-47				
8612-	RETAINER, VALVE SPRING		13741-24020	8	
	1302-47A				
8612-	LOCK, VALVE SPRING RETAINER		90913-03005	16	
	1302-49				
8612-	PLATE, CAMSHAFT THRUST		13571-23010	1	
	1302-56				
8612-	SUPPORT, VALVE ROCKER		13951-23020	4	
	1302-AC				
8612-	KEY		95161-10519	1	
	1302-AG				
8612-	BOLT		90910-01004	4	
	1302-AH				
8612-	WASHER, PLATE		90201-08120	1	
	1302-AI				
8612-	BOLT, STUD		90116-08258	4	
	1302-CN				
8612-	NUT		90179-08123	4	

1501

1501

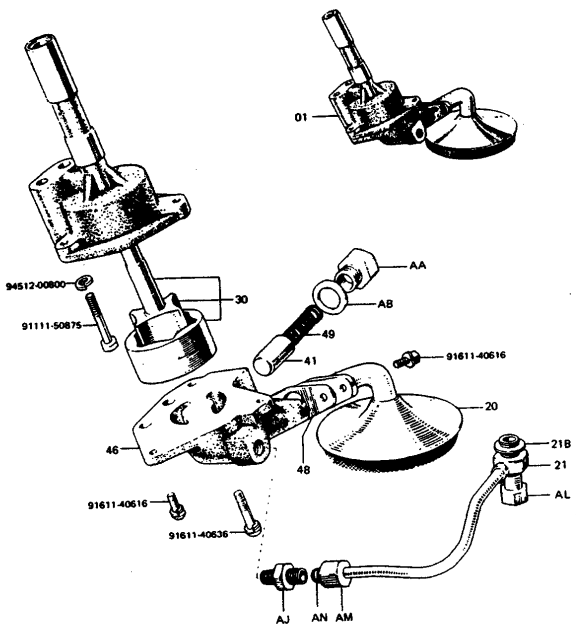


FIG. 1501
OIL PUMP

1501 - 1

RPOD. DATE	DESCRIPTION	MP	PARTS NUMBER	QTY	REV. E/G No.
	1501-01 PUMP ASSY, OIL				
8612-			15100-23011	1	
	1501-20 STRAINER SUB-ASSY, OIL				
8612-			15104-23011	1	
	1501-21 PIPE SUB-ASSY, OIL PUMP OUTLET				
8612-			15403-23010	1	
	1501-21B GASKET				
8612-			90430-14145	2	
	1501-30 ROTOR SET, OIL PUMP				
8612-			# 15102-23010 (15102-23011)	1	
	1501-41 VALVE, OIL PUMP RELIEF				
8612-			15131-22010	1	
	1501-46 COVER, OIL PUMP				
8612-			# 15115-23011 (15115-23012)	1	
	1501-48 GASKET				
8612-			15147-40010	1	
	1501-49 SPRING, OIL PUMP RELIEF VALVE				
8612-			15132-40010	1	

FIG. 1501
OIL PUMP

1501 - 2

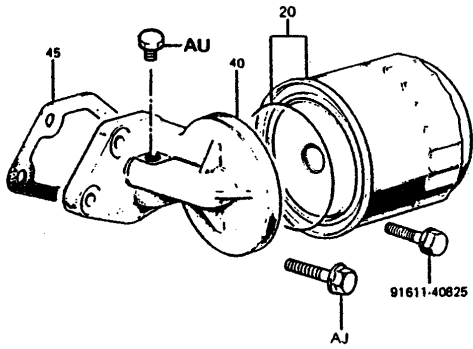
RPOD. DATE	DESCRIPTION	R/P	PARTS NUMBER	Q T Y	REV. E/G No.
1501-AA 8612-	PLUG		15133-20010	1	
1501-AB 8612-	GASKET		15134-20010	1	
1501-AJ 8612-	UNION		90404-16008	1	
1501-AL 8612-	BOLT, UNION		90401-14093	1	
1501-AM 8612-	NUT, UNION		90402-16042	1	
1501-AN 8612-	SLEEVE, BALL		90410-11005	1	

1502

1502

FIG. 1502
OIL FILTER

1502 - 1



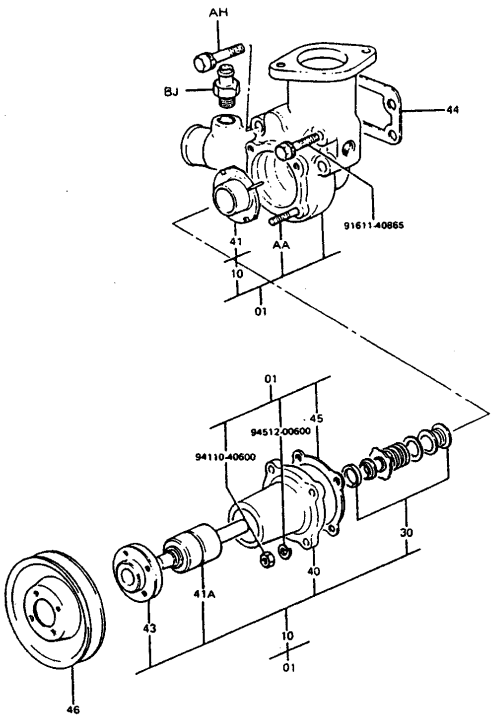
RPOD. DATE	DESCRIPTION	R/P	PARTS NUMBER	Q	REV.
				T	E/G No.
1502-20	FILTER ASSY, OIL L/BRACKET				
8612-			15601-78001-71	1	
1502-40	BRACKET OIL FILTER				
8612-			15611-78002-71	1	
1502-45	GASKET OIL FILTER				
8612-			15691-20010	1	
1502-AJ	BOLT, W/WASHER				
8612-			90119-08092	1	
1502-AU	PLUG				
8612-			90345-51025	1	

1601

1601

FIG. 1601
WATER PUMP

1601 - 1



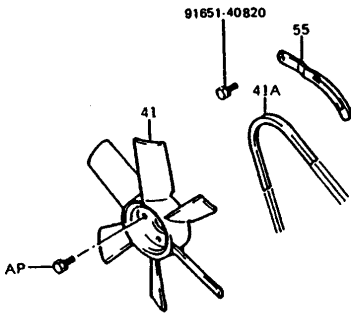
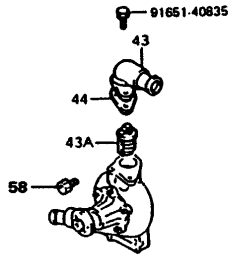
RPOD. DATE	DESCRIPTION	R/P	PARTS NUMBER	QTY	REV. E/G No.
	1601-01		PUMP ASSY, WATER		
8612-			16100-78005-71	1	
	1601-10		COVER ASSY, WATER PUMP		
8612-			16120-78005-71	1	
	1601-30		SEAL SET, WATER PUMP		
8612-			16104-41112	1	
	1601-40		COVER, WATER PUMP		
8612-			16115-78005-71	1	
	1601-41		ROTOR, WATER PUMP		
8612-			16131-78005-71	1	
	1601-41A		BEARING, WATER PUMP, NO. 1		
8612-			90369-30028	1	
	1601-43		SEAT, WATER PUMP PULLEY		
8612-			16171-78052-71	1	
	1601-44		GASKET, WATER PUMP		
8612-			16271-23010	1	
	1601-45		GASKET, WATER PUMP COVER		
8612-			16124-20010	1	
	1601-46		PULLEY, FAN		
8612-			16371-23010	1	

FIG. 1601
WATER PUMP

1601 - 2

RPOD. DATE	DESCRIPTION	R/P	PARTS NUMBER	Q T Y	REV. E/G No.
1601-AA 8612-	BOLT, STUD		16193-45100	4	
1601-AH 8612-	BOLT, W/WASHER		90119-08106	2	
1601-AH 8612-	BOLT, W/WASHER		90119-08106	2	
1601-BJ 8612-	UNION		90404-54026	1	

1603



1603

FIG. 1603
WATER OUTLET

1603 - 1

RPOD. DATE	DESCRIPTION	R/P	PARTS NUMBER	Q T Y	REV. E/G No.
	1603-41		FAN		
8612-			16361-32080-71	1	
	1603-41A		BELT, V		
8612-			99312-01035	1	
	1603-43		OUTLET, WATER		
8612-			16331-78001-71	1	
	1603-43A		THERMOSTAT		
8612-			90916-03037	1	
	1603-44		GASKET, WATER OUTLET		
8612-			16341-40010	1	
	1603-55		BAR, FAN BELT ADJUSTING		
8612-			16381-78002-71	1	
	1603-58		GAGE ASSY, WATER TEMPERATURE SENDER		
8612-			83420-20020	1	
	1603-AP		BOLT, W/WASHER		
8612-			91611-60616	4	

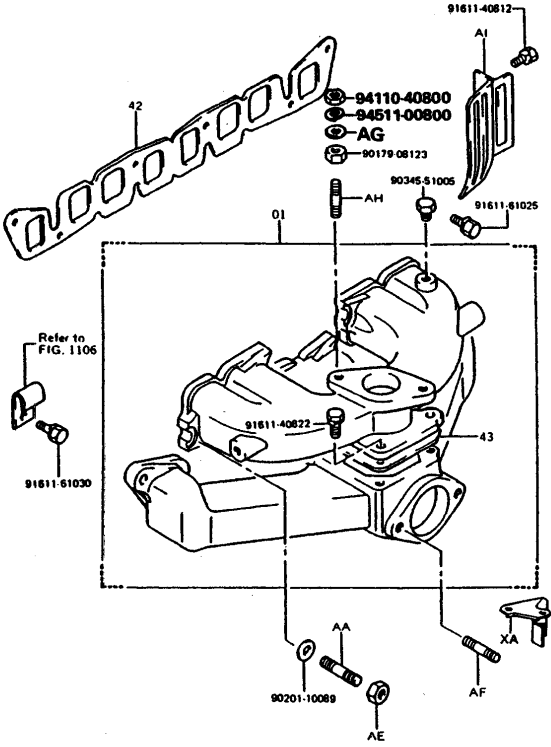
1701

1701

FIG. 1701
MANIFOLD

1701 - 1

RPOD. DATE	DESCRIPTION	R/P	PARTS NUMBER	QTY	REV. E/G No.
	1701-01		MANIFOLD ASSY,		
8612-			17110-78001-71	1	
	1701-42		GASKET, MANIFOLD TO CYLINDER HEAD		
8612-			17172-23011	1	
	1701-43		GASKET, INTAKE TO EXHAUST MANIFOLD		
8612-			17171-23020	1	
	1701-AA		BOLT, STUD		
8612-			90116-10021	4	
	1701-AE		NUT, EXHAUST PIPE SET STUD BOLT		
8612-			90170-10049	4	
	1701-AF		BOLT, STUD		
8612-			90116-10042	2	
	1701-AG		SHIM		
8612-			21584-32010	2	
	1701-AH		BOLT, STUD		
8612-			90116-08268	2	
	1701-AI		INSULATOR, EXHAUST MANIFOLD HEAT		
8612-			17167-78001-71	1	
	1701-XA		BRACKET SUB-ASSY, ACCELATOR WIRE		
8612-			26608-78052-71	1	

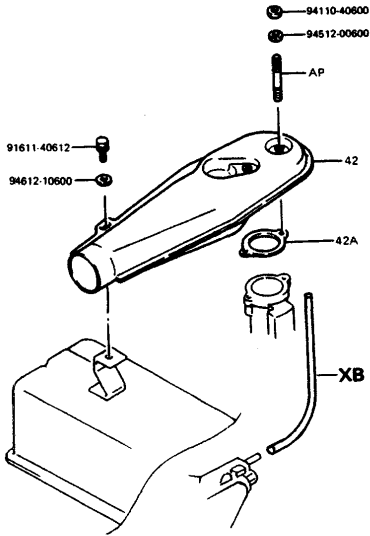


1703

1703

FIG. 1703
AIR CONNECTOR

1703 - 1



RPOD. DATE	DESCRIPTION	R/P	PARTS NUMBER	Q T Y	REV. E/G No.
	1703-42		CONNECTOR INTAKE AIR		
8612-			17823-12000-71	1	
	1703-42A		GASKET, INTAKE AIR CONNECTOR		
8612-			23546-20540-71	1	
	1703-AP		BOLT, STUD		
8612-			90116-06267	2	
	1703-XB		HOSE		
8612-			90446-09007	1	

1901

1901

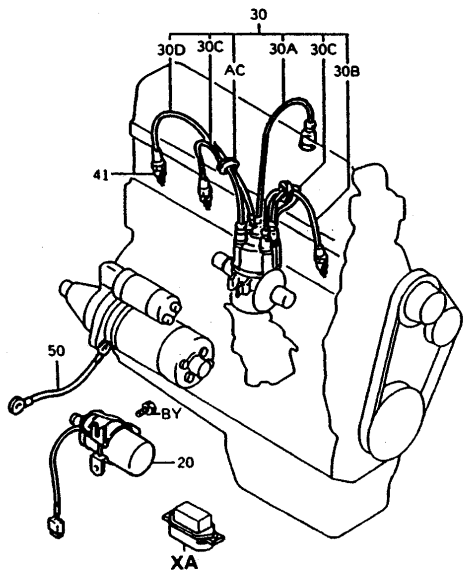


FIG. 1901
IGNITION COIL & CORD 1901 - 1

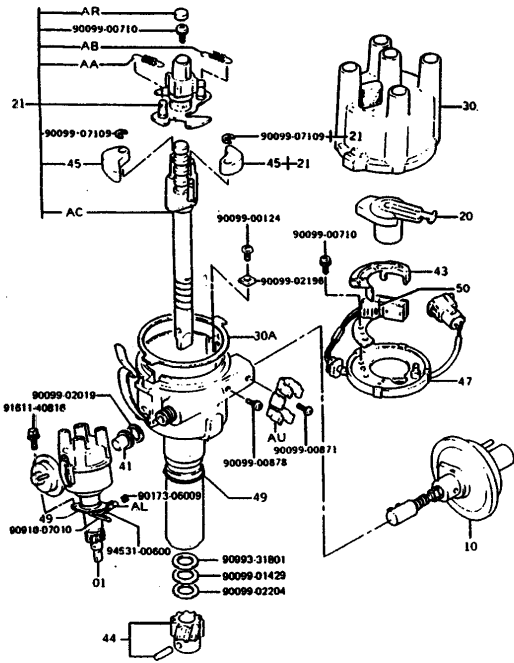
RPOD. DATE	DESCRIPTION	M/P	PARTS NUMBER	Q T Y	REV. E/G No.
	1901-20		COIL ASSY, W/IGNITER		
8612-			19070-22020-71	1	
	1901-30		CORD SET, COIL & PLUG, RESISTIVE		
8612-			90919-21115	1	
	1901-30A		CORD, COIL RESISTIVE		
8612-			90919-13043	1	
	1901-30B		CORD, SPARK PLUG RESISTIVE		
8612-			90919-12146	1	
	1901-30C		CORD, SPARK PLUG RESISTIVE		
8612-			90919-12147	2	
	1901-30D		CORD, SPARK PLUG RESISTIVE		
8612-			90919-12148	1	
	1901-41		PLUG, SPARK		
8612-			90919-01055	4	
	1901-AC		WASHER, PLATE		
8612-			90202-11067	1	
	1901-XA		REGURATOR ASSY, GENERATOR		
8612-			27700-22000-71	1	

1902

1902

FIG. 1902
DISTRIBUTOR

1902 - 1



RPOD. DATE	DESCRIPTION	P/N	PARTS NUMBER	QTY	REV. E/G No.
1902-01	DISTRIBUTOR ASSY,				
8612-			19100-78000-71	1	
1902-10	ADVANCER ASSY, VACUUM				
8612-			19220-78000-71	1	
1902-20	ROTOR SUB-ASSY, DISTRIBUTOR				
8612-			19102-33012	1	
1902-21	SHAFT AND GOVERNER SUB-ASSY				
8612-			19105-78000-71	1	
1902-30	CAP SUB-ASSY, DISTRIBUTOR				
8612-			19101-25070	1	
1902-30A	PACKING, DUST PROOF (FOR DISTRIBUTOR CAP)				
8612-			19127-15010	1	
1902-41	CAP, ADJUSTER				
8612-			# 19221-30030 (19221-80040)	1	
1902-43	COVER, DUST PROOF				
8612-			19121-38210	1	
1902-44	GEAR, SPIRAL				
8612-			19195-31031	1	

FIG. 1902
DISTRIBUTOR

1902 - 2

RPOD. DATE	DESCRIPTION	R/P	PARTS NUMBER	REV.	
				Q T Y	E/G No.
8612-	WEIGHT, GOVERNOR		19152-44170	2	
8612-	PLATE, BREAKER		19122-45070	1	
8612-	RING, DISTRIBUTOR HOUSING D		90099-14020	1	
8612-	GENERATOR, SIGNAL		19250-26280	1	
8612-	SPRING, GOVERNOR, A		19153-78000-71	1	
8612-	SPRING, GOVERNOR, B		19154-78000-71	1	
8612-	SHAFT & PLATE, GOVERNOR		19151-31070	1	
8612-	CLAMP, DISTRIBUTOR		19955-20010	1	
8612-	CAP		19169-32010	1	
8612-	CLAMP, CORD		19242-26231	1	

RPOD. DATE	DESCRIPTION	R/P	PARTS NUMBER	REV.	
				Q T Y	E/G No.

1903

1903

FIG. 1903
ALTERNATOR

1903 - 1

RPOD. DATE	DESCRIPTION	R/P	PARTS NUMBER	QTY	REV. E/G No.
1903-01	ALTERNATOR ASSY,				
8612-			27020-23022	1	
1903-02	ROTOR ASSY, ALTERNATOR				
8612-			27330-22012	1	
1903-02A	BEARING				
8612-			97110-06201	1	
1903-03	STATOR ASSY, ALTERNATOR				
8612-			27410-11014	1	
1903-10	HOLDER ASSY, ALTERNATOR BRUSH				
8612-			27370-31090	1	
1903-11	FRAME ASSY, RECTIFIER END				
8612-			27350-31090	1	
1903-12	FRAME ASSY, DRIVE END				
8612-			27310-22012	1	
1903-12A	BEARING				
8612-			90099-10012	1	
1903-12B	FELT				
8612-			90099-02009	2	
1903-40	PULLEY, ALTERNATOR				
8612-			27411-23022	1	

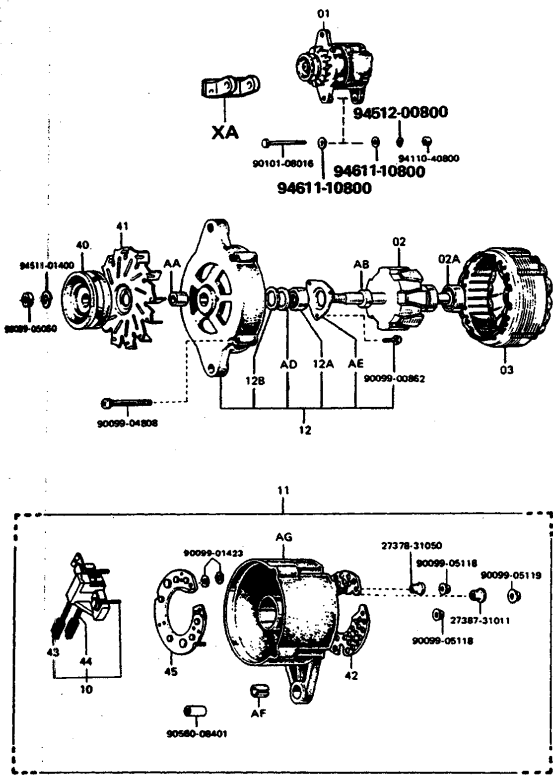


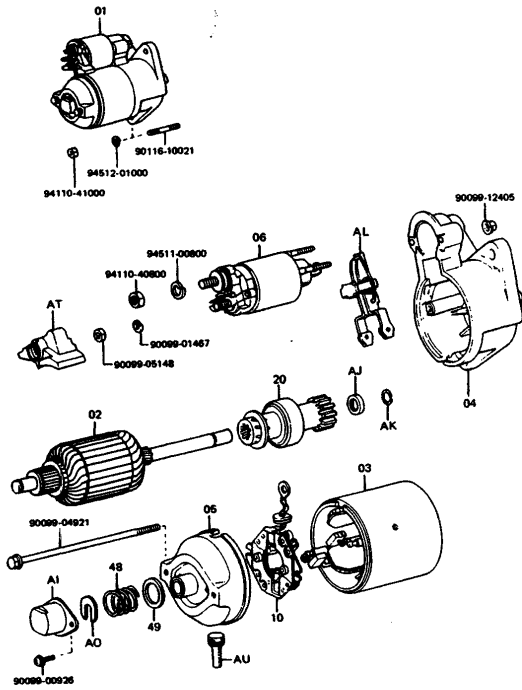
FIG. 1903
ALTERNATOR

1903 - 2

RPOD. DATE	DESCRIPTION	R/P	PARTS NUMBER	Q T Y	REV. E/G No.
1903-41 8612-	FAN, ALTERNATOR		27441-31090	1	
1903-42 8612-	COVER, REAR END		27039-11014	1	
1903-45 8612-	HOLDER, W/RECTIFIER		27357-11014	1	
1903-AA 8612-	COLLAR, STEEL		27412-56040	1	
1903-AB 8612-	RING, SPACER		90099-19068	1	
1903-AD 8612-	COVER, FELT		27313-39010	1	
1903-AE 8612-	PLATE, BEARING RETAINER		27113-10012	1	
1903-AF 8612-	BUSHING		27351-24020	1	
1903-AG 8612-	FRAME, RECTIFIER END		27359-31090	1	
1903-AJ 8612-	BOLT, HEXAGON		90101-08016	1	

RPOD. DATE	DESCRIPTION	R/P	PARTS NUMBER	Q T Y	REV. E/G No.
------------	-------------	-----	--------------	-------------	-----------------

1904



1904

FIG. 1904
STARTER

1904 - 1

RPOD. DATE	DESCRIPTION	R/P	PARTS NUMBER	QTY	REV. E/G No.
1904-01	STARTER ASSY,				
8612-			28100-31021	1	
1904-02	ARMATURE ASSY, STARTER				
8612-			28160-15010	1	
1904-03	YOKE ASSY, STARTER				
8612-			28120-15010	1	
1904-04	HOUSING ASSY, STARTER DRIVE				
8612-			28110-31020	1	
1904-04A	BUSH (FOR STARTER HOUSING)				
8612-			28111-51011	1	
1904-05	FRAME ASSY, COMMUTATOR END				
8612-			28130-13020	1	
1904-05A	BUSH (FOR COMMUTATOR END FRAME)				
8612-			90099-10134	1	
1904-06	SWITCH ASSY, MAGNET				
8612-			28150-37010	1	
1904-10	HOLDER ASSY, STARTER BRUSH				
8612-			28140-15010	1	
1904-20	CLUTCH SUB-ASSY, STARTER				
8612-			28011-15010	1	

FIG. 1904
STARTER

1904 - 2

RPOD. DATE	DESCRIPTION	R/P	PARTS NUMBER	Q T Y	REV. E/G No.
1904-48	SPRING, STARTER BRAKE				
8612-			28162-15010	1	
1904-49	RUBBER (FOR STARTER BEARING COVER)				
8612-			28138-15010	1	
1904-AI	COVER, BEARING				
8612-			28132-15010	1	
1904-AJ	COLLAR, PINION STOP				
8612-			28163-40011	1	
1904-AK	RING, SNAP				
8612-			90099-07047	1	
1904-AL	LEVER, PINION STOP				
8612-			28113-15011	1	
1904-AO	PLATE, LOCK				
8612-			28136-15010	1	
1904-AT	COVER, MAGNET SWITCH				
8612-			28159-15010	1	
1904-AU	COVER, END FRAME				
8612-			28199-77090	1	
1904-BA	NUT				
8612-			90099-05178	1	

FIG. 1904
STARTER

1904 - 3

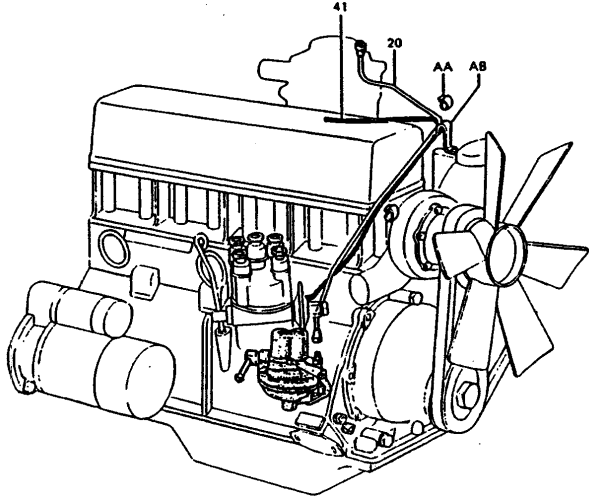
RPOD. DATE	DESCRIPTION	R/P	PARTS NUMBER	Q T Y	REV. E/G No.
1904-CZ	BOLT, STUD				
8612-			90116-10038	1	

2101

2101

FIG. 2101
FUEL PIPE

2101 - 1



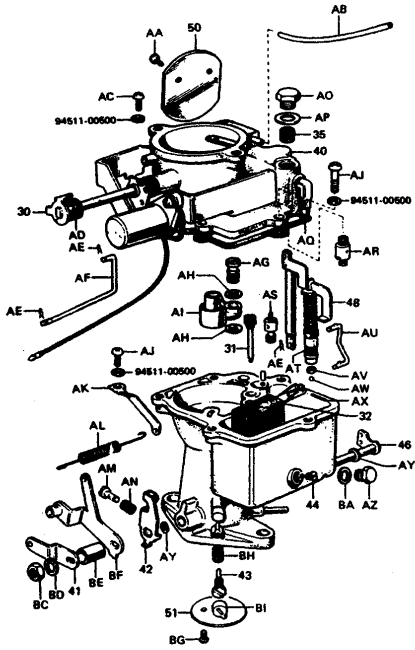
RPOD. DATE	DESCRIPTION	R/P	PARTS NUMBER	Q T Y	REV. E/G No.
	2101-20		PIPE SUB-ASSY, CARBURETOR FUEL		
	8612-		23801-78002-71	1	
	2101-41		HOSE, VACUUM		
	8612-		95411-19970	1	
	2101-AA		CLIP		
	8612-		90468-04007	3	
	2101-AB		CLAMP		
	8612-		90461-10468	1	

2103

2103

FIG. 2103
CARBURETOR

2103 - 1



RPOD. DATE	DESCRIPTION	R/P	PARTS NUMBER	QTY	REV. E/G No.
	2103-01 CARBURETOR ASSY.				
8612-			21100-78008-71	1	
	2103-30 SHAFT SUB-ASSY, CHOKE				
8612-			21403-10010	1	
	2103-31 JET SUB-ASSY, SLOW				
8612-			21205-78003-71	1	
	2103-32 FLOAT SUB-ASSY				
8612-			21209-11021	1	
	2103-35 STRAINER SUB-ASSY				
8612-			21294-10010	1	
	2103-40 HORN, AIR				
8612-			21112-78005-71	1	
	2103-41 LEVER, THROTTLE				
8612-			21455-78001-71	1	
	2103-42 LEVER, 1ST IDLE ADJUSTING				
8612-			21444-78001-71	1	
	2103-43 SCREW, IDLE ADJUSTING				
8612-			21271-11040	1	
	2103-44 JET, 1ST MAIN				
8612-			21251-78002-71	1	

FIG. 2103
CARBURETOR

2103 - 2

RPOD. DATE	DESCRIPTION	R/P	PARTS NUMBER	Q T Y	REV. E/G No.
2103-46 8612-	SHAFT, 1ST THROTTLE		21412-78001-71	1	
2103-48 8612-	ROD, LIFTER		21493-78003-71	1	
2103-50 8612-	VALVE, CHOKE		21334-10010	1	
2103-51 8612-	VALVE, THROTTLE		21331-10010	1	
2103-AA 8612-	SCREW, CHOKE VALVE SET		21823-60011	2	
2103-AB 8612-	HOSE		90044-45411	1	
2103-AB 8612-	HOSE, VACUUM		95411-19930	1	
2103-AC 8612-	SCREW		21821-31140	5	
2103-AD 8612-	SPRING, CHOKE VALVE RELIEF		21738-10010	1	
2103-AE 8612-	RING, SNAP		21791-60010	3	

FIG. 2103
CARBURETOR

2103 - 3

RPOD. DATE	DESCRIPTION	R/P	PARTS NUMBER	Q T Y	REV. E/G No.
2103-AF 8612-	CONNECTOR, 1ST IDLE		21481-78001-71	1	
2103-AG 8612-	SCREW, SMALL VENTURI SET		21816-78001-71	1	
2103-AH 8612-	GASKET, VENTURI		21614-10010	2	
2103-AI 8612-	VENTURI, SMALL		21211-78002-71	1	
2103-AJ 8612-	SCREW, SET		21821-31140	5	
2103-AK 8612-	ARM, BACK SPRING		21434-10012	1	
2103-AL 8612-	SPRING, THROTTLE BACK		21729-11042	1	
2103-AM 8612-	SCREW, THROTTLE ADJUSTING		21273-10010	1	
2103-AN 8612-	SPRING, IDLE ADJUSTING SCREW		21273-21030	1	
2103-AO 8612-	PLUG, MAIN PASSAGE		21781-60010	1	

FIG. 2103
CARBURETOR

2103 - 4

RPOD. DATE	DESCRIPTION	R/P	PARTS NUMBER	Q T Y	REV. E/G No.
8612-	2103-AP GASKET, INLET STRAINER		21619-22010	1	
8612-	2103-AQ GASKET, AIR HORN		21622-10012	1	
8612-	2103-AR VALVE SUB-ASSY, NEEDLE		21301-10012	1	
8612-	2103-AS VALVE, POWER		21341-78002-71	1	
8612-	2103-AT SPRING, PUMP DUMPING		21722-11021	1	
8612-	2103-AU LINK, PUMP		21471-11010	1	
8612-	2103-AV RETAINER, BALL CHECK		21538-31010	1	
8612-	2103-AW BALL, STEEL		21314-11020	1	
8612-	2103-AX PIN, FLOAT LEVER		# 21763-29270 (21763-21010)	1	

FIG. 2103
CARBURETOR

2103 - 5

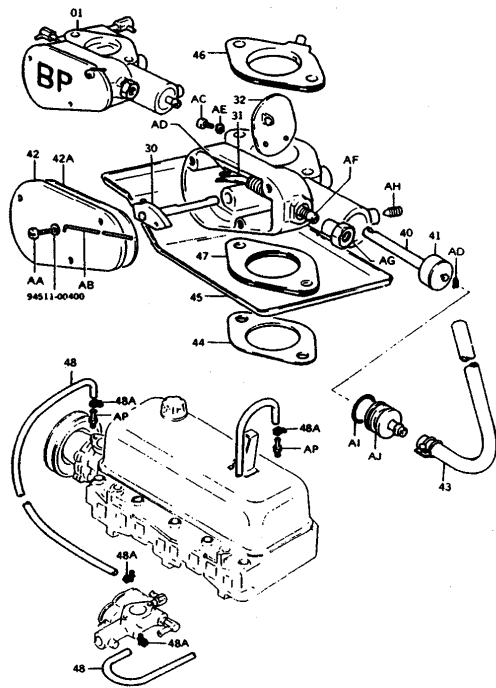
RPOD. DATE	DESCRIPTION	R/P	PARTS NUMBER	Q T Y	REV. E/G No.
8612-	2103-AY SHIM, 1ST THROTTLE SHAFT		21581-21010	1	
	[T=0.2]		21582-21010	1	
	[T=0.3]		21583-21010	1	
	[T=0.6]		21588-21010	1	
	[T=0.1]				
8612-	2103-AZ PLUG, NUT		21781-30010	1	
8612-	2103-BA GASKET, PASSAGE PLUG		21617-10010	1	
8612-	2103-BC NUT, THROTTLE LEVER SET		21852-30010	1	
8612-	2103-BD WASHER, SPRING		21881-60010	1	
8612-	2103-BE COLLER		21668-78001-71	1	
8612-	2103-BF LEVER		21456-78001-71	1	
8612-	2103-BG SCREW, VALVE SET		21822-10010	2	
8612-	2103-BH SPRING, IDLE ADJUSTING		21723-11041	1	

FIG. 2103
CARBURETOR

2103 - 6

RPOD. DATE	DESCRIPTION	R/P	PARTS NUMBER	Q T Y	REV. E/G No.
2103-BU 8612-	CLIP		90467-13001-A	4	
2103-BY 8612-	SCREW		21885-44010	1	

2105



2105

FIG. 2105
AIR GOVERNOR

2105-1

RPOD. DATE	DESCRIPTION	R/P	PARTS NUMBER	QTY	REV. E/G No.
	2105-01 GOVERNOR ASSY, AIR				
8612-			26300-78017-71	1	
	2105-30 SHAFT SUB-ASSY, THROTTLE VALVE				
8612-			26302-78003-71	1	
	2105-31 SPRING SUB-ASSY				
8612-			18907-20030-71	1	
	2105-32 VALVE SUB-ASSY, AIR GOVERNOR THROTTLE				
8612-			26303-78002-71	1	
	2105-40 ROD, PISTON STABILIZER				
8612-			26313-78003-71	1	
	2105-41 PISTON, STABILIZER				
8612-			26321-78001-71	1	
	2105-42 COVER				
8612-			26365-78004-71	1	
	2105-42A GASKET, COVER				
8612-			26366-78002-71	1	
	2105-44 GASKET, FUEL INSULATOR PLATE				
8612-			21917-78001-71	1	
	2105-45 PLATE, FUEL INSULATOR				
8612-			21916-78002-71	1	

FIG. 2105
AIR GOVERNOR

2105 - 2

RPOD. DATE	DESCRIPTION	R/P	PARTS NUMBER	Q T Y	REV. E/G No.
2105-46 8612-	INSULATOR, HEAT, NO. 1		21912-78003-71	1	
2105-47 8612-	INSULATOR, HEAT, NO. 2		21913-78001-71	1	
2105-48 8612-	HOSE, WATER		99555-10430	2	
2105-48A 8612-	CLAMP, HOSE		90467-13001	4	
2105-AB 8612-	WIRE		26358-78002-71	1	
2105-AC 8612-	SCREW		26335-60030	2	
2105-AD 8612-	RING, SNAP		26314-60030	2	
2105-AE 8612-	WASHER, LOCK		26334-60031	2	
2105-AF 8612-	SCREW, ADJUSTING		18971-20170-71	1	
2105-AG 8612-	BUSHING		26352-78002-71	1	

FIG. 2105
AIR GOVERNOR

2105 - 3

RPOD. DATE	DESCRIPTION	R/P	PARTS NUMBER	Q T Y	REV. E/G No.
2105-AH 8612-	SCREW		18925-10110-71	1	
2105-AI 8612-	RING, O		96710-02016-71	1	
2105-AJ 8612-	BUSHING		26352-78001-71	1	
2105-AP 8612-	UNION		90404-54028	2	

2301

2301

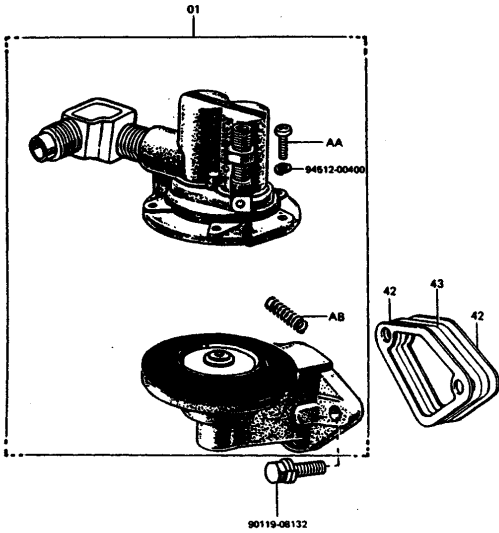


FIG. 2301
FUEL PUMP

2301 - 1

RPOD. DATE	DESCRIPTION	RP	PARTS NUMBER	QTY	REV. E/G No.
	2301-01		PUMP ASSY, FUEL		
8612-			23100-78002-71	1	
	2301-42		GASKET, FUEL PUMP		
8612-			90923-05005	2	
	2301-43		INSULATOR, FUEL PUMP		
8612-			90923-06001	1	
	2301-AA		SCREW		
8612-			21821-24030	5	
	2301-AB		SPRING, ROCKER ARM		
8612-			23152-23010	1	

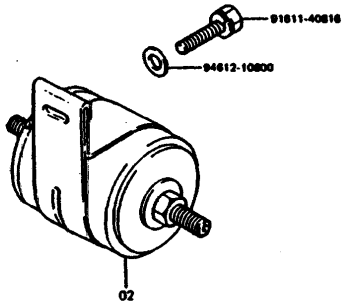
2302

2302

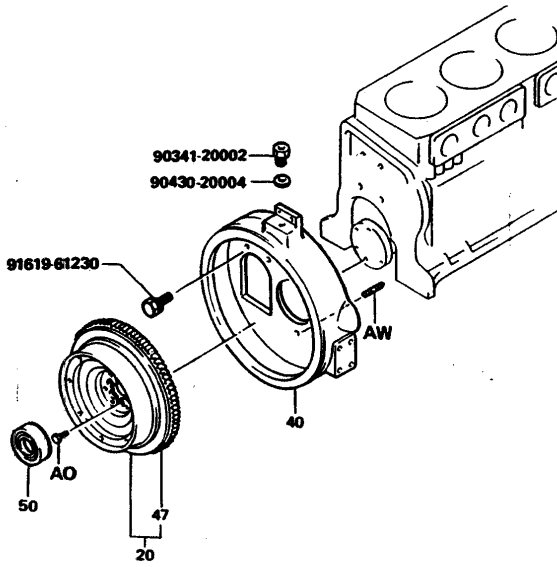
FIG. 2302
FUEL FILTER

2302 - 1

RPOD. DATE	DESCRIPTION	MP	PARTS NUMBER	QTY	REV.
					E/G No.
2302-02	FILTER ASSY, FUEL				
8612-			23310-20540-71	1	



3101



3101

FIG. 3101
FLYWHEEL HOUSING

3101 - 1

RPOD. DATE	DESCRIPTION	R/P	PARTS NUMBER	REV.	
				QTY	E/G No.
	3101-20		FLYWHEEL SUB-ASSY		
8612-			13405-78007-71	1	
	3101-40		FLYWHEEL HSG		
8612-			11351-78001-71	1	
	3101-47		GEAR, FLYWHEEL RING		
8612-			13453-20010	1	
	3101-A0		BOLT, FLYWHEEL		
8612-			[STD] 90913-01003	6	
			[LONG] 90913-01950-71	6	
	3101-AW		BOLT STUD		
8612-			90116-10021	2	

INDEX

PART NUMBER	PART NAME CODE
11011-23010	1301-34
11012-23010	1301-34
11013-23010	1301-34
11101-78002-71	1104-20
11115-23011	1104-40
11121-23011	1104-20B
11122-23011	1104-20A
11139-23011	1104-AG
11181-23010	1104-AF
11182-20010	1104-42
11201-78003-71	1104-21
11213-23011	1104-41
11293-78002-71	1104-AA
11311-78003-71	1106-53
11312-78001-71	1106-42
11314-78004-71	1106-40
11315-78000-71	1106-10A
11315-78150-71	1106-45
11321-78007-71	1106-20
11322-78150-71	1106-CR
11328-78002-71	1106-41
11351-78001-71	1301-40
11351-78001-71	3101-40
11391-46010	1106-44
11401-89015	1105-20
11452-21010	1105-41
11551-23010	1301-AG
11553-31010	1301-AI
11555-23010	1301-AH
11702-23011	1301-31
11704-23011	1301-31
11705-23011	1301-31
11706-23011	1301-31
11707-23011	1301-31
11802-23010	1302-30

PART NUMBER	PART NAME CODE
11803-23010	1302-30
11804-23010	1302-30
12101-29036	1105-21
12108-49045	1104-30
12151-20010	1105-40
12201-78001-71	1201-20
12204-31012	1201-21
12261-78001-71	1201-40
12262-78001-71	1201-41
12263-78001-71	1201-42
12281-23010	1106-AD
13011-78001-71	1301-32
13011-78002-71	1301-32
13013-78001-71	1301-32
13015-78001-71	1301-32
13101-78001-71	1301-21
13103-78001-71	1301-21
13105-78001-71	1301-21
13201-78001-71	1301-20
13202-23012	1301-30
13204-23012	1301-30
13205-23012	1301-30
13206-23012	1301-30
13207-23012	1301-30
13405-78007-71	3101-20
13411-78002-71	1301-40
13453-20010	3101-47
13471-78005-71	1301-41
13511-78000-71	1302-40
13521-78003-71	1301-42
13521-78004-71	1301-49
13523-78000-71	1302-41
13571-23010	1302-49
13711-23021	1302-43
13715-23021	1302-44

PART NUMBER	PART NAME CODE
13741-24020	1302-47
13751-44030	1302-45
13755-44030	1302-45
13781-23011	1302-42
13801-23021	1302-20
13811-23021	1302-22
13812-23021	1302-23
13951-23020	1302-56
15100-23011	1501-01
# 15102-23010 (15102-23011)	1501-30
15104-23011	1501-20
# 15115-23011 (15115-23012)	1501-46
15131-22010	1501-41
15132-40010	1501-49
15133-20010	1501-AA
15134-20010	1501-AB
15147-40010	1501-48
15301-78001-71	1105-30
15403-23010	1501-21
15601-78001-71	1502-20
15611-78002-71	1502-40
15691-20010	1502-45
16000-26M84	1101-00
16100-78005-71	1601-01
16104-41112	1601-30
16115-78005-71	1601-40
16120-78005-71	1601-10
16124-20010	1601-45
16131-78005-71	1601-41
16171-78052-71	1601-43
16193-45100	1601-AA
16271-23010	1601-44
16331-78001-71	1603-43

PART NUMBER	PART NAME CODE
16341-40010	1603-44
16361-32080-71	1603-41
16371-23010	1601-46
16381-78002-71	1603-55
17110-78001-71	1701-01
17167-78001-71	1701-AI
17171-23020	1701-43
17172-23011	1701-42
17823-12000-71	1703-42
18907-20030-71	2105-31
18925-10110-71	2105-AH
18971-20170-71	2105-AF
19070-22020-71	1901-20
19100-78000-71	1902-01
19101-25070	1902-30
19102-33012	1902-20
19105-78000-71	1902-21
19121-38210	1902-43
19122-45070	1902-47
19127-15010	1902-30A
19151-31070	1902-AC
19152-44170	1902-45
19153-78000-71	1902-AA
19154-78000-71	1902-AB
19169-32010	1902-AR
19195-31031	1902-44
19220-78000-71	1902-10
# 19221-30040 (19221-60040)	1902-41
19242-26231	1902-AU
19250-26260	1902-50
19955-20010	1902-AL
21100-78008-71	2103-01
21112-78005-71	2103-40
21205-78003-71	2103-31

INDEX

PART NUMBER	PART NAME CODE
21209-11021	2103-32
21221-78002-71	2103-AI
21251-78002-71	2103-44
21271-11040	2103-43
21273-10010	2103-AM
21273-21030	2103-AN
21294-10010	2103-35
21301-10012	2103-AR
21314-11020	2103-AW
21331-10010	2103-51
21334-10010	2103-50
21341-78002-71	2103-AS
21403-10010	2103-30
21412-78001-71	2103-46
21434-10012	2103-AK
21444-78001-71	2103-42
21455-78001-71	2103-41
21456-78001-71	2103-BF
21471-11010	2103-AU
21481-78001-71	2103-AF
21493-78003-71	2103-48
21538-31010	2103-AV
21581-21010	2103-AY
21582-21010	2103-AY
21583-21010	2103-AY
21584-32010	1701-AG
21588-21010	2103-AY
21614-10010	2103-AH
21617-10010	2103-BA
21619-22010	2103-AP
21622-10012	2103-AQ
21668-78001-71	2103-BE
21722-11021	2103-AT
21723-11041	2103-BH
21729-11042	2103-AL

PART NUMBER	PART NAME CODE
21738-10010	2103-AD
# 21763-28270 (21763-21010)	2103-AX
21781-30010	2103-AZ
21781-60010	2103-AO
21791-60010	2103-AE
21816-78001-71	2103-AG
21821-24030	2301-AA
21821-31140	2103-AC
21821-31140	2103-AJ
21822-10010	2103-BG
21823-60011	2103-AA
21852-30010	2103-BC
21881-60010	2103-BD
21885-44010	2103-BY
21912-78003-71	2105-46
21913-78001-71	2105-47
21916-78002-71	2105-45
21917-78001-71	2105-44
23100-78002-71	2301-01
23152-23010	2301-AB
23310-20540-71	2302-02
23546-20540-71	1703-42A
23801-78002-71	2101-20
26300-78017-71	2105-01
26302-78003-71	2105-30
26303-78002-71	2105-32
26313-78003-71	2105-40
26314-60030	2105-AD
26321-78001-71	2105-41
26334-60031	2105-AE
26335-60030	2105-AC
26352-78001-71	2105-AJ
26352-78002-71	2105-AG
26358-78002-71	2105-AB

PART NUMBER	PART NAME CODE
26365-78004-71	2105-42
26366-78002-71	2105-42A
26808-78052-71	1701-XA
27020-23022	1903-01
27039-11014	1903-42
27113-10012	1903-AE
27310-22012	1903-12
27313-39010	1903-AD
27330-22012	1903-02
27350-31090	1903-11
27351-24020	1903-AF
27357-11014	1903-45
27358-31090	1903-AG
27370-31090	1903-10
27378-31090	1903-※※
27387-31011	1903-※※
27410-11014	1903-03
27411-23022	1903-40
27412-56040	1903-AA
27441-31090	1903-41
27700-22000-71	1901-XA
28011-15010	1904-20
28100-31021	1904-01
28110-31020	1904-04
28111-51011	1904-04A
28113-15011	1904-AL
28120-15010	1904-03
28130-13020	1904-05
28132-15010	1904-AI
28136-15010	1904-AO
28138-15010	1904-49
28140-15010	1904-10
28150-37010	1904-06
28159-15010	1904-AT
28160-15010	1904-02

PART NUMBER	PART NAME CODE
28162-15010	1904-48
28163-40011	1904-AJ
28189-77090	1904-AU
83428-20020	1603-58
83530-30060	1105-XD
90044-45411	2103-AB
90098-00124	1902-※※
90098-00710	1902-※※
90098-00710	1902-※※
90098-00862	1903-※※
90098-00871	1902-※※
90098-00878	1902-※※
90098-00926	1904-※※
90098-01423	1903-※※
90098-01429	1902-※※
90098-01467	1904-※※
90098-02009	1903-12B
90098-02019	1902-※※
90098-02198	1902-※※
90098-02204	1902-※※
90098-04808	1903-※※
90098-04821	1904-※※
90098-05060	1903-※※
90098-05118	1903-※※
90098-05118	1903-※※
90098-05119	1903-※※
90098-05148	1904-※※
90098-05178	1904-BA
90098-07047	1904-AK
90098-07109	1902-※※
90098-07109	1902-※※
90098-10012	1903-12A
90098-10134	1904-05A
90098-12405	1904-※※
90098-14020	1902-49

INDEX

PART NUMBER	PART NAME CODE
90099-19068	1903-AB
90101-08016	1903-※※
90101-08016	1903-AJ
90101-10389	1106-※※
90105-12050	1301-AC
90116-06257	1703-AP
90116-08150	1106-BE
90116-08258	1302-AI
90116-08288	1701-AH
90116-10021	1701-AA
90116-10021	1904-※※
90116-10021	3101-AW
90116-10038	1904-CZ
90116-10042	1701-AF
90119-08092	1502-AJ
90119-08106	1601-AH
90119-08106	1601-AH
90119-08132	2301-※※
90119-08460	1105-CV
90170-08094	1302-Z2C
90170-10049	1701-AE
90173-06009	1902-※※
90179-08123	1106-※※
90179-08123	1302-CN
90179-08123	1701-※※
90201-06204	1104-※※
90201-08120	1302-AH
90201-10069	1701-※※
90202-11067	1901-AC
90250-08054	1105-AE
90250-08054	1105-AF
90250-08054	1106-AA
90253-15005	1105-AH
90301-29120	1104-30A
90311-45003	1106-20A

PART NUMBER	PART NAME CODE
90330-21012	1105-43C
90331-14007	1302-20A
90331-28012	1104-43B
90331-51032	1302-40B
90334-07014	1105-AM
90334-08004	1105-AN
90341-18089	1105-21A
90341-20002	3101-※※
90345-51005	1701-※※
90345-51025	1105-AG
(90345-51006)	
90345-51025	1502-AU
90369-30028	1601-41A
90401-14093	1501-AL
90402-16042	1501-AM
90404-16008	1501-AJ
90404-54026	1601-BJ
90404-54028	1104-BQ
90404-54028	2105-AP
90410-11005	1501-AN
90430-14145	1501-21B
90430-18244	1105-21B
90430-20004	3101-※※
90446-09007	1703-XB
90461-10468	2101-AB
90467-13001	2105-48A
90467-13001-A	2103-BU
90467-16010	1201-※※
90467-20020	1201-※※
90468-04007	2101-AA
90501-16163	1302-Z2B
90501-42627	1302-46
90502-16004	1302-20B
90521-23051	1301-21A
90524-15008	1302-20C

PART NUMBER	PART NAME CODE
90560-08401	1903-※※
90910-01004	1302-AG
90910-02032	1105-AI
90910-02044	1301-20B
90910-02053	1104-20C
90910-07010	1902-※※
90913-01003	3101-AO
90913-01950-71	3101-AO
90913-02069	1302-43A
90913-03005	1302-47A
90913-05020	1302-Z2A
90915-01002	1105-45
90915-01022	1106-59
90916-03037	1603-43A
90919-01055	1901-41
90919-12146	1901-30B
90919-12147	1901-30C
90919-12148	1901-30D
90919-13043	1901-30A
90919-21115	1901-30
90923-05005	2301-42
90923-06001	2301-43
90993-31801	1902-※※
90999-78059	1301-20A
91111-50675	1501-※※
91611-40612	1703-※※
91611-40616	1501-※※
91611-40616	1501-※※
91611-40636	1501-※※
91611-40812	1701-※※
91611-40816	1902-※※
91611-40816	2302-※※
91611-40818	1104-※※
91611-40818	1105-CV
91611-40820	1302-※※

PART NUMBER	PART NAME CODE
91611-40820	1302-※※
91611-40822	1701-※※
91611-40825	1502-※※
91611-40865	1601-※※
91611-60616	1603-AP
91611-60816	1106-※※
91611-60816	1106-※※
91611-60855	1106-※※
91611-60855	1106-※※
91611-60855	1106-※※
91611-61025	1701-※※
91611-61030	1701-※※
91619-61230	3101-※※
91651-40820	1603-※※
91651-40835	1603-※※
93280-16016	1104-※※
94110-40600	1601-※※
94110-40600	1703-※※
94110-40800	1701-※※
94110-40800	1903-※※
94110-40800	1904-※※
94110-41000	1106-※※
94110-41000	1904-※※
94511-00400	2105-※※
94511-00500	2103-※※
94511-00500	2103-※※
94511-00800	1701-※※
94511-00800	1904-※※
94511-01400	1903-※※
94512-00400	2301-※※
94512-00600	1601-※※
94512-00600	1703-※※
94512-00800	1501-※※
94512-00800	1903-※※

INDEX

PART NUMBER	PART NAME CODE
94512-01000	1904-※※
94531-00600	1902-※※
94531-01000	1106-※※
94531-01000	1106-※※
94811-10800	1903-※※
94811-10800	1903-※※
94812-10600	1703-※※
94812-10800	2302-※※
95161-10519	1301-41A
95161-10519	1301-42A
95161-10519	1301-49A
95161-10519	1302-AC
95411-19330	2103-AB
95411-19370	2101-41
96411-42000	1104-43A
96411-43500	1105-43A
96431-53828	1105-AC
96432-23814	1105-AD
96710-02016-71	2105-AI
97103-06009	1106-20B
97110-06201	1903-02A
99312-01035	1603-41A
99555-10430	2105-48