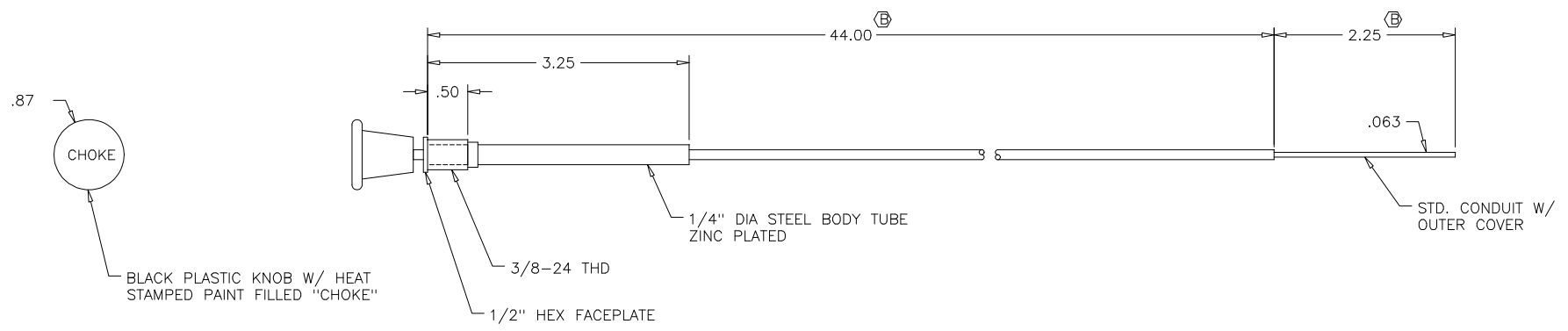



REV	ECN #	DATE	DESCRIPTION OF CHANGE-IS (WAS)	BY:
(A)	X	12/29/87	RELEASED FOR PRODUCTION	X
(B)	1637	8/17/88	CHG'D DIM'S & REMOVED DETAIL	X



305276 | B

Y
X

<p>CONFIDENTIAL</p> <p>THIS DRAWING AND ALL INFORMATION CONTAINED THEREIN ARE THE EXCLUSIVE PROPERTY OF MINUTEMAN INTERNATIONAL, INC. THIS DRAWING IS NOT TO BE COPIED OR OTHERWISE REPRODUCED WITHOUT EXPRESSED WRITTEN PERMISSION OF MINUTEMAN INTERNATIONAL, INC. IN ADDITION, THIS DRAWING MUST BE RETURNED UPON REQUEST. FURTHER, ALL INFORMATION CONTAINED HEREIN MUST BE MAINTAINED CONFIDENTIAL.</p>	SOURCE: N/A	 <p>175 Anderson Street Aberdeen, NC 28315 PHONE (910) 944-2105 FAX (910) 944-7409</p>									
	PN. SEE SPECS	CAD BY: AJW	DATE: 12/87								
	MATL: SEE SPECS	FINISH: PB-FIN.NF.NA UNSPECIFIED TOLERANCES									
	<table border="1"> <tr> <td>.X</td> <td>.1</td> <td>ANGULAR:</td> </tr> <tr> <td>.XX</td> <td>.03</td> <td>X. 1°</td> </tr> <tr> <td>.XXX</td> <td>.010</td> <td>.X .5°</td> </tr> </table>	.X	.1	ANGULAR:	.XX	.03	X. 1°	.XXX	.010	.X .5°	DESCRIPTION CABLE-CHOKE TOYOTA F/S
.X	.1	ANGULAR:									
.XX	.03	X. 1°									
.XXX	.010	.X .5°									
DES. ENG: CMK	PART NO. 305276	REV LEV B	SHT NO. 1 OF 1								
ENG. REL: 12/87											