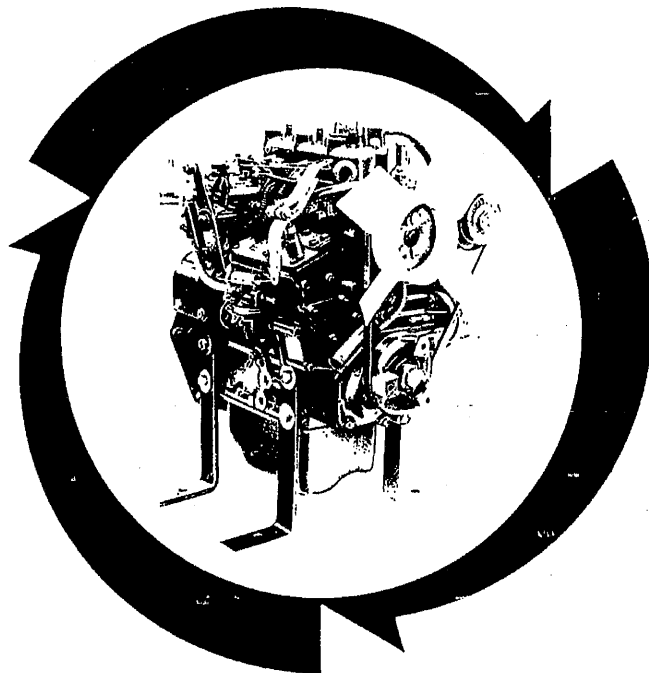


**ILLUSTRATED PARTS LIST
LISTE DES PIECES
STÜCK LISTE**

KUBOTA

**MODEL
MODELE WG750-E-BROOKS
MODELL**

**GASOLINE ENGINE
MOTEUR A ESSENCE
BENZIN MOTOR**



Kubota

97898-57280
SEPT.
SEPTEMBRE 2003
SEPT.

NOTICE

This Parts List is for the following purposes.

1. When ordering parts, check with this Parts List to confirm the part number and the name of parts.
2. When making repairs, refer to the illustrations in this Parts List.
3. This Parts List is subject to change without notice.

NOTE

Utilisation de ce livre

1. A la commande d'une pièce, chercher la référence et le nom de la pièce.
2. Pour les réparations, employez les illustrations.
3. La liste des pièces peut-être modifié sans préavis.

ACHTUNG

Die vorliegende Stückliste ist zur Verwendung der folgenden Fälle aufzubewahren:

1. Bei Bestellung der Teile anhand dieser Liste die Kennzahl und die Bezeichnung der Teile feststellen.
2. Bei Reparatur auf die Figur in der Stückliste Bezug nehmen.
3. Änderungen dieser Bestandteilliste vorbehalten.

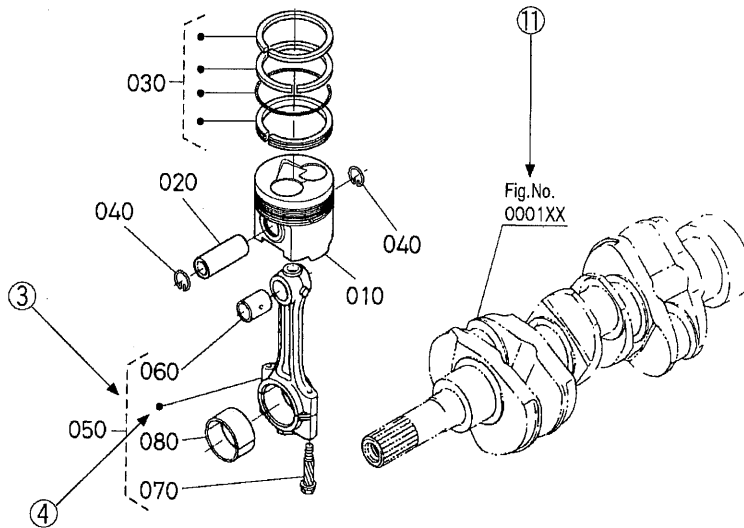
MODEL MODELE MODELL	CODE No. No. DE CODE CODE-Nr.
WG750-E-BROOKS	EG281-14000

INSTRUCTIONS INSTRUCTION ERKLÄRUNG

①
0102 PISTON AND CRANKSHAFT
PISTON ET VILEBREQUIN
KOLBEN UND KURBELWELLE

②
[B]

⑩ → S.No. ; A: ≤15000, B: 14000 to 15000



REF No. POS No BILD-Nr	PART No. REFERENCE BESTELL-Nr.	PART NAME	DESIGNATION	BEZEICHNUNG	QTY./S No. Q'TE./No S. STUECK/S.Nr		I.C.	REMARKS REMARQUES BEMERKUNGEN
					A	B		
010	15800-0000-0	PISTON	PISTON	KOLBEN	<=15000	<=15000		[Example-1]
010	15800-0000-2	PISTON	PISTON	KOLBEN	>=15001	>=15001		[Exemple-1]
020	15800-1000-0	PIN,PISTON	AXE DE PISTON	KOLBENBOLZEN	<=15000	<=15000		[Beispiel-1]
020	15800-1000-2	PIN,PISTON	AXE DE PISTON	KOLBENBOLZEN	>=15001	>=15001		[Example-2]
030	15800-2000-0	ASSY PISTON RING	ENS.JEU DE SEGMENTS	KOLBENRINGE	<=15000	<=15000		[Exemple-2]
030	15830-2000-0	ASSY PISTON RING	ENS.JEU DE SEGMENTS	KOLBENRINGE	>=15001	>=15001		[Beispiel-2]
								[Example-3]
								[Exemple-3]
								[Beispiel-3]

A:XXXX, B:XXXX

- ① Fig. No. Represents No. corresponding to each group name.
- ② Specifications The types and destinations of sister models are indicated. These indications are given to tell their relevant pages in this book.
(for sister models)
- ③ Components The components of an assembly are identified by a bracket of dotted lines.
- ④ Point Indicates that the parts is not sold independently.
The assembly (Ref.No.050) containing the part needs to be ordered.
- ⑤ REF. No. Reference numbers are assigned to parts in the illustration.The code number of a part in the illustration can be identified by referring to the same reference number in the parts list.
- ⑥ Model name The name of the basic model is indicated in this column. Other applicable models are indicated on the "REMARKS" column ⑨.
- ⑦ S. No. Indicates a group of serial numbers to which a design change is applied.
(serial No.)

Engine Serial No. .. Old Serial No.

654321 ... 6 digits all in numerals.

New Serial No.

Y A 4321

Lower 4 digits in numerals.
5th digit ... Alphabetical letter (Month of manufacture).

Alphabetical letter	A,B	C,D	E,F	G,H	J,K	L,M	N,P	Q,R	S,T	U,V	W,X	Y,Z
Month	1	2	3	4	5	6	7	8	9	10	11	12

6th digit ... Alphabetical letter or numerals (Year of manufacture).

Alphabetical letter or numerals	W	X	Y	1	2	3	4	5	6	7	8	9	A	B	C
Year	'98	'99	2000	'01	'02	'03	'04	'05	'06	'07	'08	'09	'10	'11	'12

- ⑧ I. C. Indicates the interchangeability of parts due to design change.
(interchangeability)
Example-1 ← indicates that a new part can replace an old part, but not vice versa.
15800-0000-0 is applicable to the first serial number to S. No. 15000.
15800-0000-2 is applicable to the first serial number and above.
Example-2 ≠ indicates that the new and old parts are not interchangeable.
15800-1000-0 is applicable to the first serial number to S. No. 15000.
15800-1000-2 is applicable to S. No. 15001 and above.
Example-3 ↔ indicates that the new and old parts are interchangeable. Both 15800-2000-0 and 15830-2000-0 are applicable to the first serial number and above.
- ⑨ REMARKS 1 In this column, enter other applicable model names, dimensions and other special items. The following symbols and abbreviations are used throughout this book.
29*12.00-15 ... Tire size sq.m m² sq.mm mm²
cu.m m³ cu.mm ... mm³ D ... Diameter L Length
- ⑩ REMARKS 2 The following expressions are used in NOTE for each group.
Machines' serial numbers are indicated as follows.
<=15000 Serial number below 15000.
>=15001 Serial number above 15001.
14000 to 15000 Serial number 14000 to 15000.
For some models, the above expressions may also be used REMARKS 1 ⑨.
- ⑪ Fig. No. Indicates the numbers of figures for the parts that are shown in virtual images.
(virtual images)
A figure number with XX means that there are two or more figures depending on the sister models.

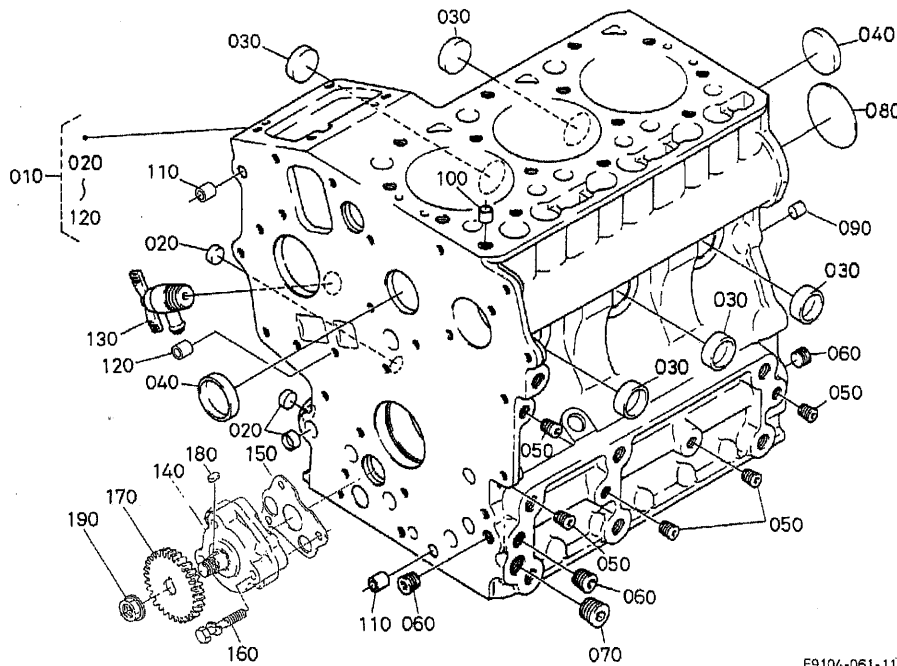
CONTENTS

[WG750-E-BROOKS]

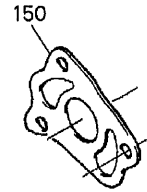
0001	CRANK CASE	1
0002	OIL PAN	2
0003	CYLINDER HEAD	3
0004	GEAR CASE	4
000501	HEAD COVER	5
000502	HEAD COVER	6
0006	OIL FILTER	7
0007	DIPSTICK AND GUIDE	8
0100	MAIN BEARING CASE	9
0101	CAMSHAFT AND IDLE GEAR SHAFT	10
0102	PISTON AND CRANKSHAFT	11
0103	FLYWHEEL	13
0105	FUEL CAMSHAFT	14
0200	GOVERNOR	15
0201	FUEL FILTER	16
0202	CARBURETTOR	17
0204	FORK LEVER	18
0205	SPEED CONTROL LEVER	19
0207	FUEL PUMP (ELECTRICAL)	20
0300	SPARK PLUG AND DISTRIBUTOR	21
0301	DISTRIBUTOR (COMPONENT PARTS)	22
0302	IGNITION COIL	23
0402	ALTERNATOR AND PULLEY	24
0403	ALTERNATOR (COMPONENT PARTS)	25
0404	STARTER	27
0405	STARTER (COMPONENT PARTS)	28
0406	OIL SWITCH	29
0500	WATER FLANGE AND THERMOSTAT	30
0501	WATER PUMP	31
0502	RADIATOR	32
0503	WATER PIPE	33
0504	FAN	34
0505	RESERVE TANK	35
0600	VALVE AND ROCKER ARM	36
0601	INLET MANIFOLD	37
0602	EXHAUST MANIFOLD	38
0603	AIR CLEANER	39
0604	INLET PIPE	40
0605	MUFFLER	41
0801	STARTER SWITCH	42
0808	ACCESSORIES AND SERVICE PARTS	43
0809	LABEL AND OPERATOR'S MANUAL	44
■	NUMERICAL INDEX	45

**000100 CRANK CASE
CARTER MOTEUR
KURBELGEHAEUSE**

REV.OCT.26 '09



OLD PART



E9104-061-11

E9106-803-10

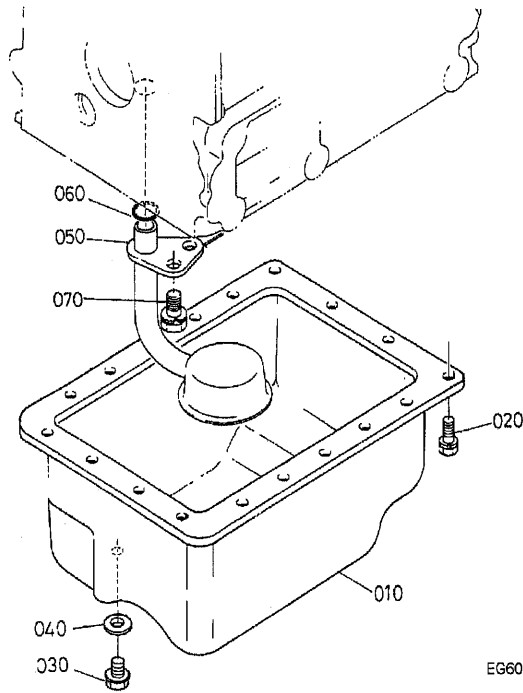
A:WG750-E-BROOKS

REF.No. POS.No. BILD-Nr.	PART No. REFERENCE BESTELL-Nr.	PART NAME	DESIGNATION	BEZEICHNUNG	QTY/S.No. QTE/No.S. STUECK/S.Nr.	I.C.	REMARKS REMARQUES BEMERKUNGEN
					A	I.C.	
010	12691-0101-3	ASSY CRANKCASE	ENS.BLOC MOTEUR	GRP. KURBELGEHAEUSE	1		#
010	12691-0101-6	ASSY CRANKCASE	ENS.BLOC MOTEUR	GRP. KURBELGEHAEUSE	<=319999		
010	12691-0101-7	ASSY CRANKCASE	ENS.BLOC MOTEUR	GRP. KURBELGEHAEUSE	>=300001	←	
010	12691-0101-8	ASSY CRANKCASE	ENS.BLOC MOTEUR	GRP. KURBELGEHAEUSE	>=440001	←	
010	12691-0102-0	COMP. CRANKCASE	BLOC MOTEUR COMPLET	GRP. KURBELGEHAEUSE	>=400001	←	
010	12691-0102-3	ASSY CRANKCASE	ENS.BLOC MOTEUR	KOMP.KURBELGEHAEUSE	>=510001	←	
010	12691-0102-4	COMP. CRANKCASE	ENS.BLOC MOTEUR	KOMP.KURBELGEHAEUSE	>=600001	←	#
020	16851-9626-0	CAP, SEALING	PASTILLE	STOEPSSEL, ABDICHTUNG	>=900001	≠	#
030	16851-9627-0	CAP, SEALING	PASTILLE	STOEPSSEL, ABDICHTUNG	3		
040	15451-9627-0	CAP, SEALING	PASTILLE	STOEPSSEL, ABDICHTUNG	5		
050	15261-9601-0	PLUG	BOUCHON	STOPFEN	2		
060	15521-9602-0	PLUG	BOUCHON	STOPFEN	5		
070	15521-9603-0	PLUG	BOUCHON	STOPFEN	3		
080	15261-9616-0	PLUG, EXPANSION	BOUCHON EXPANSIBLE	STOEPSSEL, AUSDEHNUNG	1		
090	05012-00814	PIN, STRAIGHT	GOUPILLE CYLINDRIQUE	ZYLINDERSTIFT	2		
100	15221-3365-0	PIN, PIPE	GICLEUR	ROHRSTIFT	1		
110	15231-3396-0	PIN, PIPE	GICLEUR	ROHRSTIFT	2		
120	17331-5919-0	PIN, PIPE	GICLEUR	ROHRSTIFT	2		#
120	15231-3396-0	PIN, PIPE	GICLEUR	ROHRSTIFT	<=962999		#
130	15841-7302-0	ASSY COCK, DRAIN	ENS. ROBINET VIDANGE	GRP. ABLASSHAHN	>=900001	≠	#
130	16871-7302-0	ASSY COCK, DRAIN	ENS. ROBINET VIDANGE	GRP. ABLASSHAHN	<=912999		#
140	16851-3501-0	ASSY PUMP, OIL	ENS. POMPE A HUILE	GRP. OELPUMPE	>=900001	↔	#
140	16851-3501-2	ASSY PUMP, OIL	ENS. POMPE A HUILE	GRP. OELPUMPE	<=267583		
150	16851-3515-0	GASKET, OIL PUMP NA	JOINT POMPE A HUILE	DICHTUNG, OELPUMPE	>=210001	←	
150	15862-3515-0	GASKET, OIL PUMP NA	JOINT POMPE A HUILE	DICHTUNG, OELPUMPE	<=559355		
150	16851-3515-2	GASKET, OIL PUMP NA	JOINT POMPE A HUILE	DICHTUNG, OELPUMPE	>=559356	←	
160	15841-9105-0	BOLT	VIS	BOLZEN	>=762019	←	
170	15841-3566-0	GEAR, OIL PUMP DRIVE	PIGNON ENTRAIN. POMPE	GETRIEBE	3		
180	05712-00408	KEY, FEATHER	CLAVETTE	KEIL	1		
190	02783-50100	NUT, FLANGE	ECROU A EMBASE	FLANSCHEN-MUTTER	1		

↔ Interchangeable; ≠ not interchangeable; ← new for old; → old for new

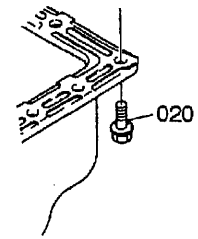
0002

OIL PAN
CARTER D' HUILE
OELWANNE



EG601-008-12

OLD PART



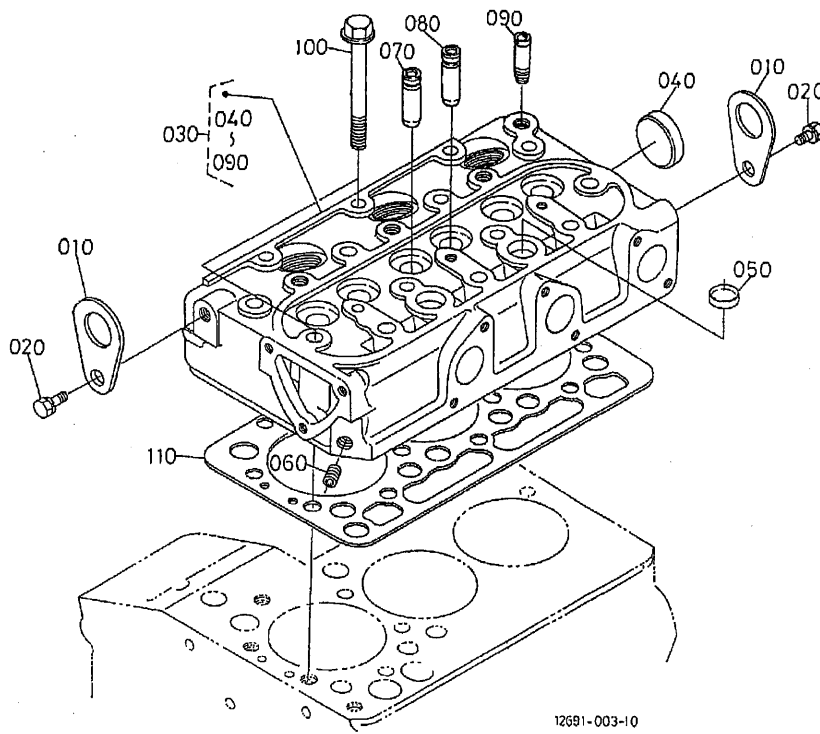
EG281-805-10

A: WG750-E-BROOKS

REF. No. POS. No. BILD-Nr.	PART No. REFERENCE BESELL-Nr.	PART NAME	DESIGNATION	BEZEICHNUNG	Q' TY/S. No. Q' TE/No. S. STUECK/S. Nr.		I. C.	REMARKS REMARQUES BEMERKUNGEN
					A	B		
010	15862-0150-0	COMP. OIL PAN	CARTER D' HUILE COMP.	KOMP. OELWANNE	1	-		
020	01754-50610	BOLT, FLANGE	VIS DE BUTEE	FLANSCHEN-BOLZEN	18	-		
020	01023-50612	BOLT	VIS	BOLZEN	18	-	←	
030	15221-3375-0	PLUG	BOUCHON	STOPFEN	1	-		
030	16326-3375-0	PLUG, DRAIN	BOUCHON DE VIDANGE	ENTLEERUNGSSTOPFEN	1	-	↔	
040	15109-3366-0	GASKET	JOINT	DICHTUNGSPLATTE	1	-		
040	6C090-5896-0	GASKET	JOINT	DICHTUNGSPLATTE	1	-	←	
050	16851-3211-0	FILTER, OIL	FILTRE D' HUILE	OELFILTER	1	-		
060	04811-00160	O RING	JOINT TORIQUE	O RING	1	-		
060	04814-00160	O RING	JOINT TORIQUE	O RING	1	-	←	
070	01123-60814	BOLT	VIS	BOLZEN	1	-		

↔ Interchangeable; ≠ not interchangeable; ← new for old; → old for new

000300 **CYLINDER HEAD**
CULASSE
ZYLINDERKOPF



12691-003-10

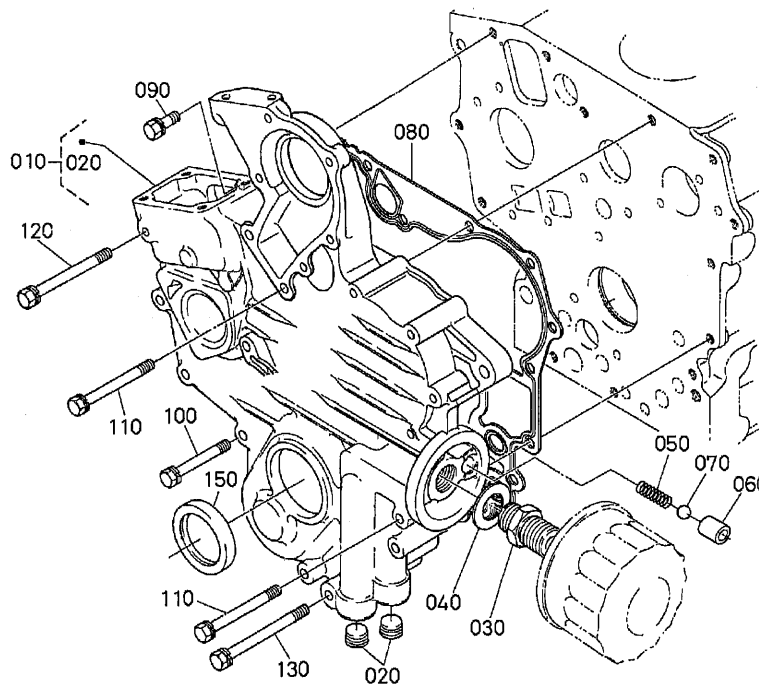
A:WG750-E-BROOKS

REF.No. POS.No. BILD-Nr.	PART No. REFERENCE BESTELL-Nr.	PART NAME	DESIGNATION	BEZEICHNUNG	QTY/S.No. Q'ITE/No.S. STUECK/S.Nr.	I.C.	REMARKS REMARQUES BEMERKUNGEN
					A	I.C.	
010	15841-0175-0	HOOK,ENGINE	ANNEAU DE LEVAGE	MOTOR-ANKERHAKEN	2 <=825650		
010	15221-0175-0	HOOK,ENGINE	ANNEAU DE LEVAGE	MOTOR-ANKERHAKEN	2 >=825651	↔	
020	01123-60814	BOLT	VIS	BOLZEN	2 <=825650		
020	01123-60816	BOLT	VIS	BOLZEN	2 >=825651	↔	
030	12694-0304-0	COMP.CYLINDER HEAD	CULASSE COMPLET	KOMP.ZYLINDERKOPF	1 <=9FZ999		#
030	12694-0304-3	COMP.CYLINDER HEAD	CULASSE COMPLET	KOMP.ZYLINDERKOPF	1 >=960001	←	#
040	15321-9626-0	CAP,SEALING	PASTILLE	STOEPSSEL,ABDICHTUNG	1		
050	15261-0337-0	CAP,SEALING	PASTILLE	STOEPSSEL,ABDICHTUNG	2		
060	15261-9601-0	PLUG	BOUCHON	STOPFEN	1		
070	15841-1354-0	GUIDE,INLET VALVE	GUIDE SOUP.D'ADMISS.	EINLASSVENTILFUHRUNG	3		
080	15841-1356-0	GUIDE,EXHAUST VALVE	GUIDE SOUP.D'ECHAP.	AUSLASSVENTILFUHRUNG	3		
090	15531-7334-0	PIPE,WATER RETURN	TUYAU RETOUR D'EAU	WASSERROHR	1		
100	14601-0345-0	BOLT,CYLINDER HEAD	VIS DE CYLINDRE	ZYLINDERKOPFSCHRAUBE	14		
110	12691-0331-0	GASKET,CYLINDER HEAD	JOINT DE CULASSE	DICHTUNG,ZYLINDERKOPF	1 <=4B1174		
110	EG601-0331-0	GASKET,HEAD	JOINT	ZYLINDERKOPFDICHTUNG	1 >=4G0001	↔	

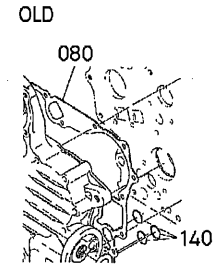
↔ Interchangeable; ≠ not interchangeable; ← new for old; → old for new

**000400 GEAR CASE
CARTER DE DISTRIBUTION
GETRIEBEGEHAEUSE**

REV.OCT.26 '09



EG281-015-10



EG281-813-10

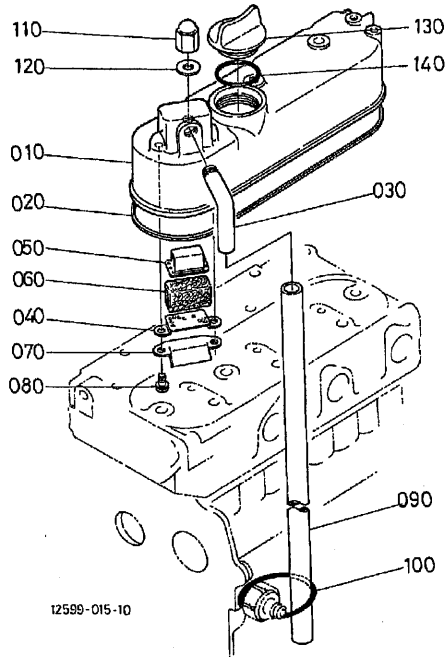
A:WG750-E-BROOKS

REF.No. POS.No. BLD-Nr.	PART No. REFERENCE BESTELL-Nr.	PART NAME	DESIGNATION	BEZEICHNUNG	QTY/S.No. QTE/No.S. STUECK/S.Nr.	I.C.	REMARKS
					A	I.C.	BEMERKUNGEN
010	12691-0402-0	COMP.CASE,GEAR	CARTER DISTR.COMP.	KMP.GETRIEBEGEHAEUSE	1 <=712999		#
010	12691-0402-6	COMP.CASE,GEAR	CARTER DISTR.COMP.	KMP.GETRIEBEGEHAEUSE	1 >=710001		≠ #
020	16851-9601-0	PLUG	BOUCHON	STOPFEN	2 <=4F9999		
020	15521-9603-0	PLUG	BOUCHON	STOPFEN	2 >=460001		≠
030	15241-3229-0	JOINT,PIPE	RACCORD DE TUYAU	VERBINDUNGSSTUECK	1		
040	15841-9401-0	WASHER,PLAIN	RONDELLE FREIN	SCHEIBE	1		
050	16851-3695-0	SPRING	RESSORT	FRUEHLING	1		
060	15841-3693-0	SEAT,VALVE	SIEGE DE SOUPE	SITZ,VENTIL	1		
070	07715-03211	BALL	BILLE	KUGEL	1		
080	15862-0413-0	GASKET,GEAR CASE NA	JOINT DE CARTER-DIS.	DICHTUNG,GETR.GET	1 <=559355		
080	15862-0417-0	GASKET,GEAR CASE NA	JOINT DE CARTER-DIS.	DICHTUNG,GETR.GET	1 >=559356		←
080	15862-0413-2	GASKET,GEAR CASE NA	JOINT DE CARTER-DIS.	DICHTUNG,GETR.GET	1 >=752019		←
080	16871-0413-0	GASKET,GEAR CASE	JOINT	DICHTUNGGETRIEBEGEH.	1 >=710001		≠ #
090	01023-50618	BOLT	VIS	BOLZEN	1		
100	01023-60650	BOLT	VIS	BOLZEN	8		
110	15841-9101-0	BOLT	VIS	BOLZEN	5		
120	01023-60670	BOLT	VIS	BOLZEN	1		
130	01023-50675	BOLT	VIS	BOLZEN	1		
140	04811-06130	O RING	JOINT TORIQUE	O RING	3 <=W64000		
140	04814-06130	O RING	JOINT TORIQUE	O RING	3 >=W10001		←
140	04814-06130	O RING	JOINT TORIQUE	O RING	3 <=712999		#
150	15877-0414-0	SEAL,OIL	BAGUE JOINT	OELDICHTUNGSRING	1		

↔ Interchangeable; ≠ not interchangeable; ← new for old; → old for new

000501 HEAD COVER COUVRE-CULBUTEURS ZYLINDER KOPF-DECKEL

S. No. : A: <=830738



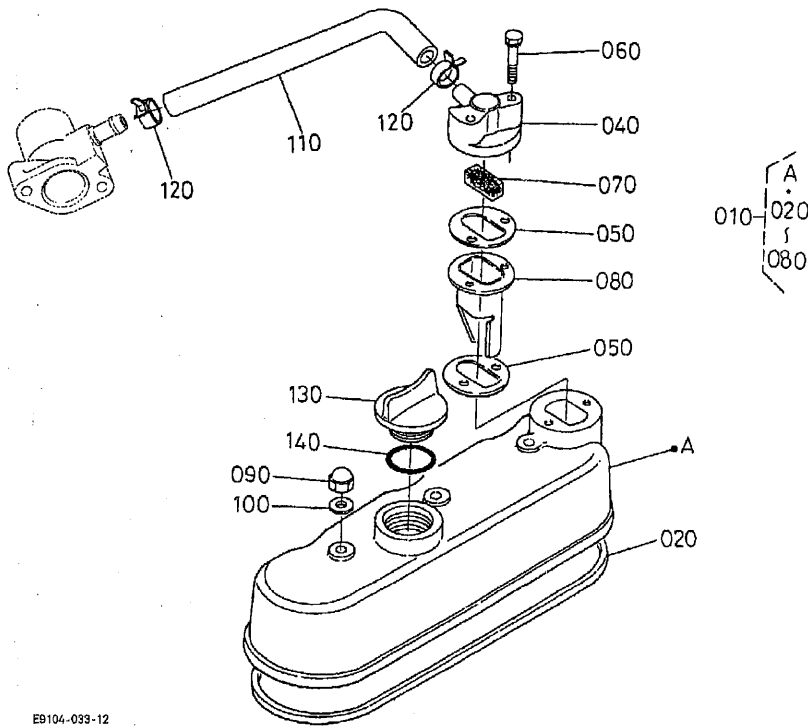
A: WG750-E-BROOKS

REF. No. POS. No. BILD-Nr.	PART No. REFERENCE BESELL-Nr.	PART NAME	DESIGNATION	BEZEICHNUNG	Q'TY/S. No. Q'TE/No. S. STUECK/S. Nr.		I. C.	REMARKS REMARQUES BEMERKUNGEN
					A	B		
010	16861-1451-0	COVER, CYL. HEAD	COUVERCLE CULASSE	ZYLINDERKOPFHAUBE	1 ≤=384779	-		
010	16861-1451-3	COVER, CYL. HEAD	COUVERCLE CULASSE	ZYLINDERKOPFHAUBE	1 ≥=384780	-	≠	
020	16861-1452-0	GASKET, HEAD COVER	JOINT COUVRE-CULASSE	DICHTUNG, KOPFDECKEL	1	-		
030	15881-0555-0	JOINT, BREATHER PIPE	RACCORD D'ASPI-TUYAU	ANSCHLUSSTEIL	1	-		
040	15841-0514-0	PLATE, B/THER ELEMENT	PLAQUE D'ELEMENT	PLATTE, ELEMENT	1	-		
050	15841-0515-0	PLATE, B/THER ELEMENT	PLAQUE D'ELEMENT	PLATTE, ELEMENT	1	-		
060	15841-0567-0	ELEMENT, BREATHER	TAMIS DU RENIFLARD	ENTLUEFTUNGSELEMENT	1	-		
070	15841-0537-0	OIL SHIELD, BREATHER	BOUCLIER, HUILE	OELSCHILD, ENTLUEFTER	1	-		
080	03024-50510	SCREW, WITH WASHER	VIS	SCHRAUBE	2 ≤=384779	-		
080	16861-9331-0	SCREW	VIS	SCHRAUBE	2 ≥=384780	-	≠	
090	15841-0551-0	PIPE, BREATHER	TUYAU DE RENIFLARD	ENTLUEFTUNGSRÖHR	1	-		
100	04811-05230	O RING	JOINT TORIQUE	O RING	1	-		
110	15841-1462-0	NUT	ECROU	MUTTER	3	-		
120	15601-9665-0	GASKET	JOINT	DICHTUNGSPLATTE	3	-		
130	32240-2141-0	PLUG	BOUCHON	STOPFEN	1	-		
140	04811-50300	O RING	JOINT TORIQUE	O RING	1	-		

↔ Interchangeable; ≠ not interchangeable; ← new for old; → old for new

000502 HEAD COVER
COUVRE-CULBUTEURS
ZYLINDER KOPF-DECKEL

S. No. : A : > 830739



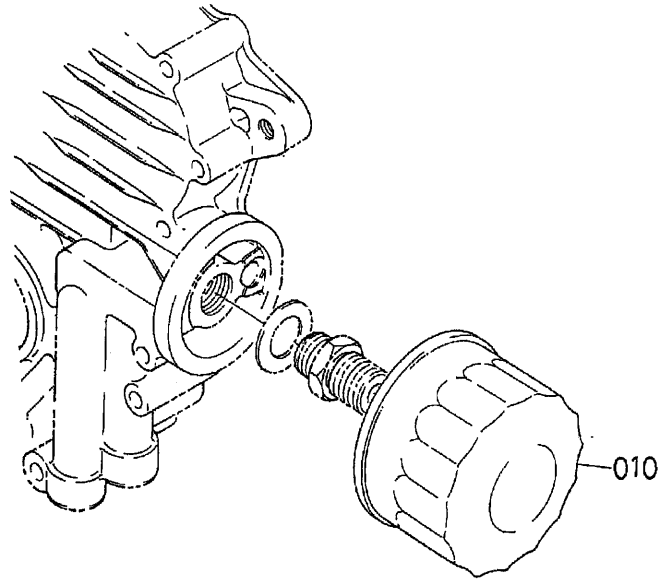
EB104-039-12

A: WG750-E-BROOKS

REF. No. POS. No. BILD-Nr.	PART No. REFERENCE BESELL-Nr.	PART NAME	DESIGNATION	BEZEICHNUNG	Q'TY/S. No. Q'TE/No. S. STUECK/S. Nr.		I. C.	REMARKS REMARQUES BEMERKUNGEN
					A	B		
010	EG261-1450-0	ASSY COVER, CYL. HEAD	ENS. COUVERGLE	ZYLINDERKOPFHAUBE	1	-		
020	16861-1452-2	GASKET, HEAD COVER	JOINT COUVRE-CULASSE	DICHTUNG, KOPFDECKEL	1	-		
030	---	BLANK	BLANC	LEERE SPALTE	-	-		
040	EG261-0542-0	COVER, BREATHER	COUVERCLE ASPIRATEUR	ENTLUEFTERDECKEL	1	-		
050	17524-0513-0	GASKET	JOINT	DICHTUNGSPLATTE	2	-		
060	01023-50635	BOLT	VIS	BOLZEN	2	-		
070	15841-0567-0	ELEMENT, BREATHER	TAMIS DU RENIFLARD	ENTLUEFTUNGSELEMENT	1	-		
080	17472-1449-0	PLATE, BREATHER	PLAQUE, RENIFLARD	PLATTE	1	-		
090	15841-1462-0	NUT	EGROU	MUTTER	3	-		
100	15601-9665-0	GASKET	JOINT	DICHTUNGSPLATTE	3	-		
110	EG261-0551-2	TUBE, BREATHER	TUBE D'ASPIRATEUR	ROEHRE, ENTLUEFTER	1	-		
120	16241-7336-0	BAND, PIPE	GOLLIER DE TUYAU	ROHRBAND	2	-		
130	E9151-3314-0	PLUG, OIL FILLER	BOUCHON, REMPLIS. H/L	OELINFUELLSSTOPFEN	1	-		
140	04814-50300	O RING	JOINT TORIQUE	O RING	1	-		

0006

OIL FILTER
 FILTRE D'HUILE
 OELFILTER



12691-006-10

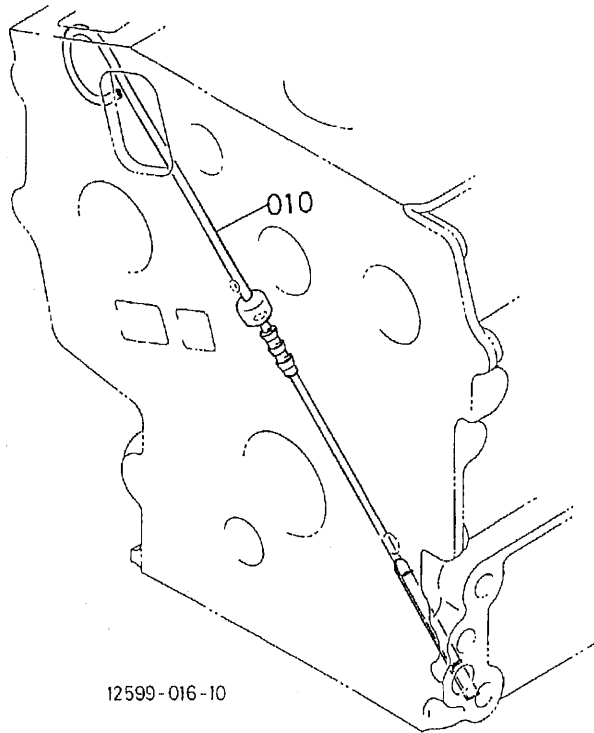
A:WG750-E-BROOKS

REF. No. POS. No. BILD-Nr.	PART No. REFERENCE BESELL-Nr.	PART NAME	DESIGNATION	BEZEICHNUNG	QTY/S. No. Q'TE/No. S. STUECK/S. Nr.		I. C.	REMARKS REMARQUES BEMERKUNGEN
					A	B		
010	15853-9917-0	CARTRIDGE, OIL FILTER	CARTOUCHE FILTRANTE	OELFILTERPATRONE	1 ≤ME9999	-		
010	15853-3243-0	CARTRIDGE, OIL FILTER	CARTOUCHE FILTRANTE	OELFILTERPATRONE	1 ≥MG0001	-	↔	

↔ Interchangeable; ≠ not interchangeable; ← new for old; → old for new
 7

0007

DIPSTICK AND GUIDE
JAUGE D' HUILE ET GUIDE
OELMESSSTAB UND FUEHRUNG



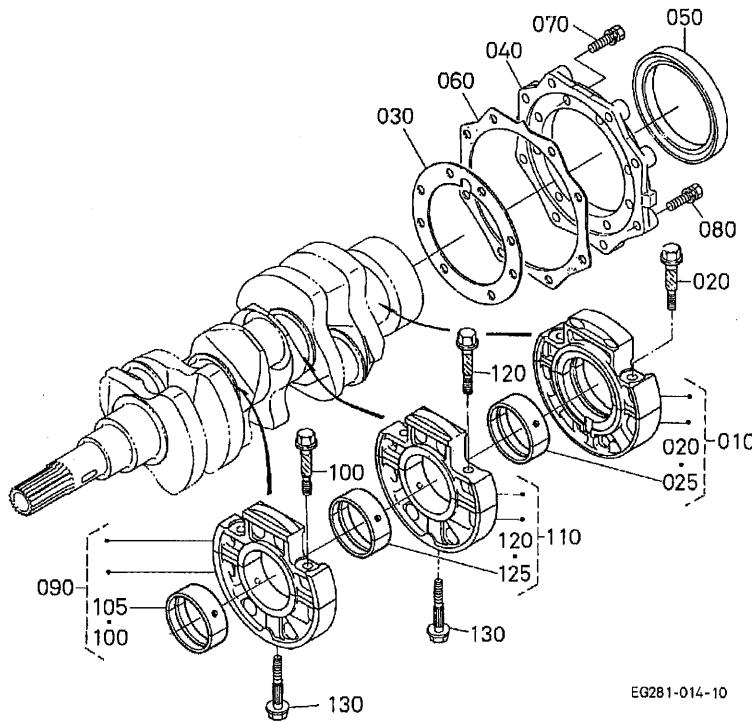
12599-016-10

A: WG750-E-BROOKS

REF. No. POS. No. BILD-Nr.	PART No. REFERENCE BESELL-Nr.	PART NAME	DESIGNATION	BEZEICHNUNG	Q' TY/S. No. Q' TE/No. S. STUECK/S. Nr.		I. C.	REMARKS REMARQUES BEMERKUNGEN
					A	B		
010	16851-3641-0	GAUGE, OIL	JAUGE D' HUILE	OELMESSSTAB	1	-		

0100

MAIN BEARING CASE
PALIERS DE VILEBREQUIN
HAUPTLAGER GEHAEUSE

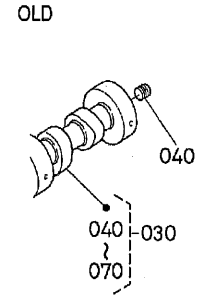
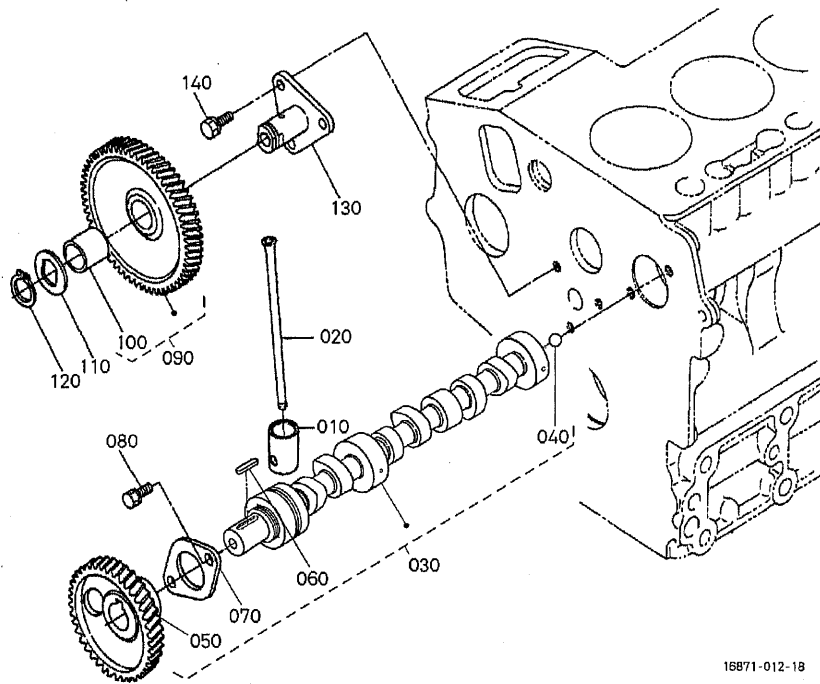


A:WG750-E-BROOKS

REF. No. POS. No. BILD-Nr.	PART No. REFERENCE BESELL-Nr.	PART NAME	DESIGNATION	BEZEICHNUNG	Q'TY/S.No. Q'TE/No.S. STUECK/S.Nr.		I.C.	REMARKS REMARQUES BEMERKUNGEN
					A	B		
010	15841-0709-0	ASSY BRG. CASE, WHEEL	ENS. PALIER VILEBREQ.	GRP. LAGERGEHAEUSE	1	-	#	
020	15841-0454-0	BOLT, BEARING CASE	VIS DE VILEBREQUIN	BOLZEN, LAGERKASTEN	2	-		
025	15694-2348-0	METAL, CRANKSHAFT	COUSSINET DE VILEBR.	METALLTEIL, KURBELWE	1	-		#STD SET
025	15694-2393-0	METAL, CRANKSHAFT	COUSSINET DE VILEBR.	METALLTEIL, KURBELWE	1	-		#-0.2mm SET
025	15694-2394-0	METAL, CRANKSHAFT	COUSSINET DE VILEBR.	METALLTEIL, KURBELWE	1	-		#-0.4mm SET
030	15852-0436-0	GASKET, BEARING CASE	JOINT CART. DE RLMT	DICHTUNG, LAGER	1	-		
040	15841-0481-0	COVER, BEARING CASE	PORTE JOINT	DECKEL, LAGERKASTEN	1	-		
050	1G460-0446-0	SEAL, OIL	BAGUE JOINT	OELDICHTUNGSRING	1	-		
050	1G460-0446-0	SEAL, OIL	BAGUE JOINT	OELDICHTUNGSRING	≤409999	-		
060	15841-0482-2	GASKET	JOINT	DICHTUNGSPLATTE	≥4EQ001	-	←	
070	01023-50620	BOLT	VIS	BOLZEN	8	-		
080	01023-50622	BOLT	VIS	BOLZEN	8	-		
090	12691-0704-0	ASSY BRG. CASE, MAIN	ENS. PALIER VILEBREQ.	GRP. LAGERGEHAEUSE	1	-	#	
100	15841-0454-0	BOLT, BEARING CASE	VIS DE VILEBREQUIN	BOLZEN, LAGERKASTEN	2	-		
105	15861-2348-0	METAL, CRANKSHAFT	COUSSINET DE VILEBR.	METALLTEIL, KURBELWE	1	-		#STD SET
105	15861-2386-0	METAL, CRANKSHAFT	COUSSINET DE VILEBR.	METALLTEIL, KURBELWE	1	-		#-0.2mm SET
105	15861-2387-0	METAL, CRANKSHAFT	COUSSINET DE VILEBR.	METALLTEIL, KURBELWE	1	-		#-0.4mm SET
110	15861-0705-0	ASSY BRG. CASE, MAIN	ENS. PALIER VILEBREQ.	GRP. LAGERGEHAEUSE	1	-	#	
120	15841-0454-0	BOLT, BEARING CASE	VIS DE VILEBREQUIN	BOLZEN, LAGERKASTEN	2	-		
125	15861-2348-0	METAL, CRANKSHAFT	COUSSINET DE VILEBR.	METALLTEIL, KURBELWE	1	-		#STD SET
125	15861-2386-0	METAL, CRANKSHAFT	COUSSINET DE VILEBR.	METALLTEIL, KURBELWE	1	-		#-0.2mm SET
125	15861-2387-0	METAL, CRANKSHAFT	COUSSINET DE VILEBR.	METALLTEIL, KURBELWE	1	-		#-0.4mm SET
130	15841-0456-2	BOLT, BEARING CASE	VIS DE VILEBREQUIN	BOLZEN, LAGERKASTEN	2	-		

↔ Interchangeable; ≠ not Interchangeable; ← new for old; → old for new

010100 CAMSHAFT AND IDLE GEAR SHAFT
ARBRE A CAMES ET ARBRE DE PIGNON FOU
NOCKENWELLE UND WELLE FREILAUFGETR



16871-012-18

16897-804-12

A:WG750-E-BROOKS

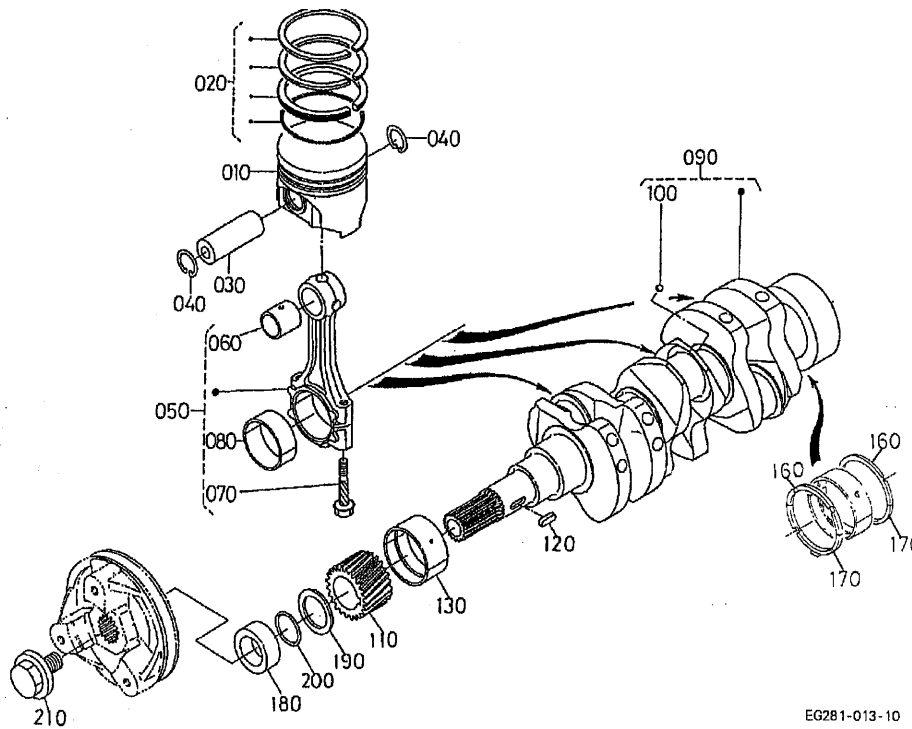
REF.No. POS.No. BILD-Nr.	PART No. REFERENCE BESTELL-Nr.	PART NAME	DESIGNATION	BEZEICHNUNG	QTY/S.No. QTE/No.S. STUECK/S.Nr.	I.C.	REMARKS REMARQUES BEMERKUNGEN
					A	I.C.	
010	16851-1555-0	TAPPET	POUSSOIR	STOSSEL	6 <=4X9999		
010	16851-1555-2	TAPPET	POUSSOIR	STOSSEL	6 >=4Y0001	←	
020	16851-1511-0	PUSH ROD	TIGE DE POUSSOIR	STOSSELSTANGE	6		
030	15861-1601-0	ASSY CAMSHAFT	ENS.ARBRE A CAMES	GRP.NOCKENWELLE	<=8TZ999		#
030	15861-1601-8	ASSY CAMSHAFT	ENS.ARBRE A CAMES	GRP.NOCKENWELLE	>=8U0001	←	#
030	15861-1612-0	ASSY CAMSHAFT	ENS.ARBRE A CAMES	GRP.NOCKENWELLE	>=9S0001	↔	#
040	15521-9361-0	SCREW,SET	VIS D'ARRET	ANSCHLAGSCHRAUBE	<=4M9999		
040	07715-00401	BALL	BILLE	KUGEL	>=4N0001	≠	
050	15841-1651-0	GEAR,CAMSHAFT	PIGNON D'ARBRE CAMES	ZAHNRAD	1		
060	05712-00518	KEY,FEATHER	CLAVETTE	KEIL	1		
070	15841-1627-0	STOPPER,CAMSHAFT	BOUCHON ARBRE A CAME	NOCKENWELLESERRPLA.	1		
080	01023-50612	BOLT	VIS	BOLZEN	2		
090	15875-2401-3	COMP.GEAR,IDLE	PIGNON FOU COMP.	KOMP.LEERLAUFGETRIEB	1		
100	15875-2428-2	BUSH	BAGUE	BUCHSE	1		
110	15875-2437-0	COLLAR,IDLE GEAR	COLLIER DE PIGNONF.	HUELSELEERLAUFGETRI.	1		
120	15875-2432-0	RING,SNAP	BAGUE ELASTIQUE	VERSCHLUSSRING	1		
130	15875-2425-0	SHAFT,IDLE GEAR	ARBRE DE PIGNON FOU	WELLE,FREILAUFGETR.	1		
140	01023-50614	BOLT	VIS	BOLZEN	3		

↔ Interchangeable; ≠ not interchangeable; ← new for old; → old for new

010200

PISTON AND CRANKSHAFT
PISTONS ET VILEBREQUIN
KOLBEN-KURBEL WELLE

REV.OCT.26 '09



EG281-013-10

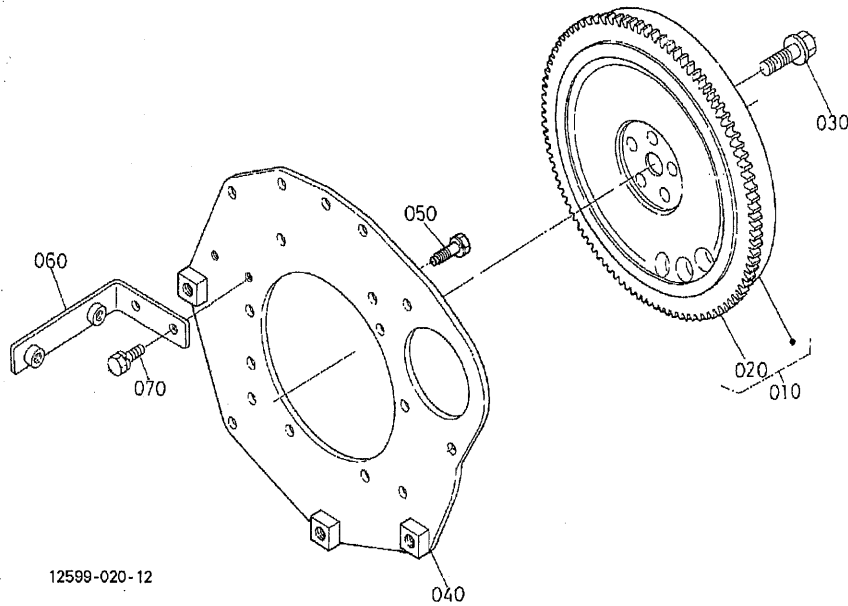
A:WG750-E-BROOKS

REF.No. POS.No. BILD-Nr.	PART No. REFERENCE BESTELL-Nr.	PART NAME	DESIGNATION	BEZEICHNUNG	Q'TY/S.No. Q'TE/No.S. STUECK/S.Nr.	I.C.	REMARKS REMARQUES BEMERKUNGEN
					A	I.C.	
010	12691-2111-0	PISTON	PISTON	KOLBEN	3		STD
010	12691-2191-0	PISTON	PISTON	KOLBEN	3		+0.5mm
020	12691-2105-0	ASSY PISTON RING	ENS.SEGMENT	GRP.KOLBENRING	3 ≤681218		STD
020	12691-2105-3	ASSY PISTON RING	ENS.SEGMENT	GRP.KOLBENRING	3 ≥681219	←	STD
020	12691-2109-0	ASSY PISTON RING	ENS.SEGMENT	GRP.KOLBENRING	3 ≤681218		+0.5mm
020	12691-2109-3	ASSY PISTON RING	ENS.SEGMENT	GRP.KOLBENRING	3 ≥681219	←	+0.5mm
030	12581-2131-0	PIN,PISTON	AXE DE PISTON	KOLBENBOLZEN	3		
040	14601-2133-0	CIR CLIP,PISTON PIN	CIRCLIP	SEEGERING	6		
050	15861-2201-0	ASSY CONNECTING ROD	ENS. BIELLE	GRP.PLEUELSTANGE	3		
060	15841-2198-0	BUSH,PISTON PIN	BAGUE DE BIELLE	BUCHSE,KOLBENSTIFT	3		
070	16851-2214-0	BOLT,CONNECTING ROD	VIS DE BIELLE	BOLZEN	6		
080	15861-2231-0	METAL,CRANKPIN	COUSSINET DE BIELLE	METALLTEIL	3		STD SET
080	15861-2297-0	METAL,CRANKPIN	COUSSINET DE BIELLE	METALLTEIL	3		-0.2mm SET
080	15861-2298-0	METAL,CRANKPIN	COUSSINET DE BIELLE	METALLTEIL	3		-0.4mm SET
090	16861-2301-0	COMP.CRANKSHAFT	VILEBREQUIN COMPLET	KOMP.KURBELWELLE	1		
100	07715-03207	BALL	BILLE	KUGEL	3		
110	15841-2411-0	GEAR,CRANK	PIGNON	ZAHNRAD	1		
120	05712-00515	KEY,FEATHER	CLAVETTE	KEIL	1		
130	15861-2347-0	METAL,CRANKSHAFT	COUSSINET DE VILEBR.	METALLTEIL	1		STD
130	15861-2391-0	METAL,CRANKSHAFT	COUSSINET DE VILEBR.	METALLTEIL	1		-0.2mm
130	15861-2392-0	METAL,CRANKSHAFT	COUSSINET DE VILEBR.	METALLTEIL	1		-0.4mm
140	---	BLANK	BLANC	LEERE SPALTE	-		
150	---	BLANK	BLANC	LEERE SPALTE	-		
160	15261-2353-0	METAL,SIDE	COUSSINET DE LATERAL	METALLSEITENRING	2		STD
160	15261-2395-0	METAL,SIDE	COUSSINET DE LATERAL	METALLSEITENRING	2		+0.2mm
160	15261-2396-0	METAL,SIDE	COUSSINET DE LATERAL	METALLSEITENRING	2		+0.4mm
170	15261-2354-0	METAL,SIDE	COUSSINET DE LATERAL	METALLSEITENRING	2 ≤619999		#STD
170	15261-2354-3	METAL,SIDE	COUSSINET DE LATERAL	METALLSEITENRING	2 ≥600001	←	#STD
170	15261-2397-0	METAL,SIDE	COUSSINET DE LATERAL	METALLSEITENRING	2 ≤619999		#+0.2mm
170	15261-2397-3	METAL,SIDE	COUSSINET DE LATERAL	METALLSEITENRING	2 ≥600001	←	#+0.2mm

↔ Interchangeable; ≠ not interchangeable; ← new for old; → old for new

0103

FLYWHEEL
VOLANT MOTEUR
SCHWUNGRAD



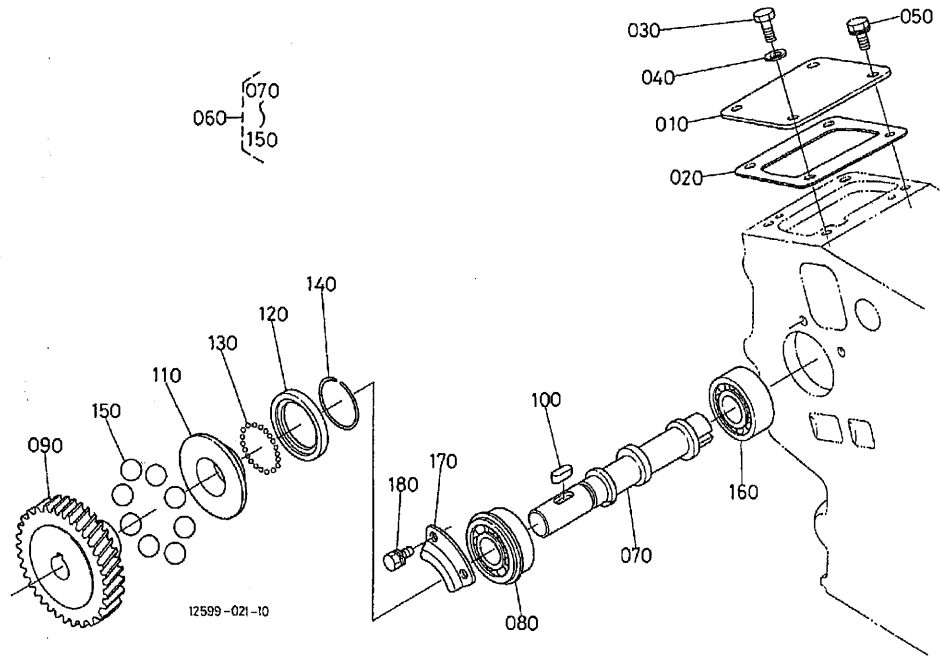
A:WG750-E-BROOKS

REF. No. POS. No. BILD-Nr.	PART No. REFERENCE BESELL-Nr.	PART NAME	DESIGNATION	BEZEICHNUNG	Q'TY/S. No. Q'TE/No. S. STUECK/S. Nr.		I. C.	REMARKS REMARQUES BEMERKUNGEN
					A	B		
010	12691-2501-0	COMP. FLYWHEEL	VOLANT MOTEUR COMP.	KOMP. SCHWUNGRAD	1	-		
010	16861-2501-0	COMP. FLYWHEEL	VOLANT MOTEUR COMP.	KOMP. SCHWUNGRAD	≤248676	-		
010	16861-2501-4	COMP. FLYWHEEL	VOLANT MOTEUR COMP.	KOMP. SCHWUNGRAD	≥248677	-	↔	
020	15841-6382-0	GEAR, RING	COURONNE DE DEMARRE.	ZAHNKRANZ	≥YA0001	-	←	#CORRECTION
020	16851-6382-0	GEAR, RING	COURONNE DE DEMARRE.	ZAHNKRANZ	≤248676	-		
020	16851-6382-2	GEAR, RING	COURONNE DE DEMARRE.	ZAHNKRANZ	≥248677	-	↔	
020	16851-6382-2	GEAR, RING	COURONNE DE DEMARRE.	ZAHNKRANZ	≥YA0001	-	←	#
030	15852-2516-0	BOLT, FLYWHEEL	VIS DE VOLANT	BOLZEN, SCHWUNGRAD	5	-		
040	12691-0462-0	PLATE, REAR END	PLAQUE ARRIERE-TRAIN	PLATTE	1	-		
050	01123-60816	BOLT	VIS	BOLZEN	10	-		#
050	16871-9101-0	BOLT	VIS	BOLZEN	≤3Z1309 10 ≥4A0001	-	≠	#
060	12581-6885-0	SUPPORT, COVER	SUPPORT	TRAEGER	1	-		
070	01023-50610	BOLT	VIS	BOLZEN	2	-		

↔ Interchangeable; ≠ not interchangeable; ← new for old; → old for new

010500 FUEL CAMSHAFT
ARBRE A CAMES DE CARBURANT
KRAFTSTOFF NOCKENWELLE

REV.OCT.26 '09



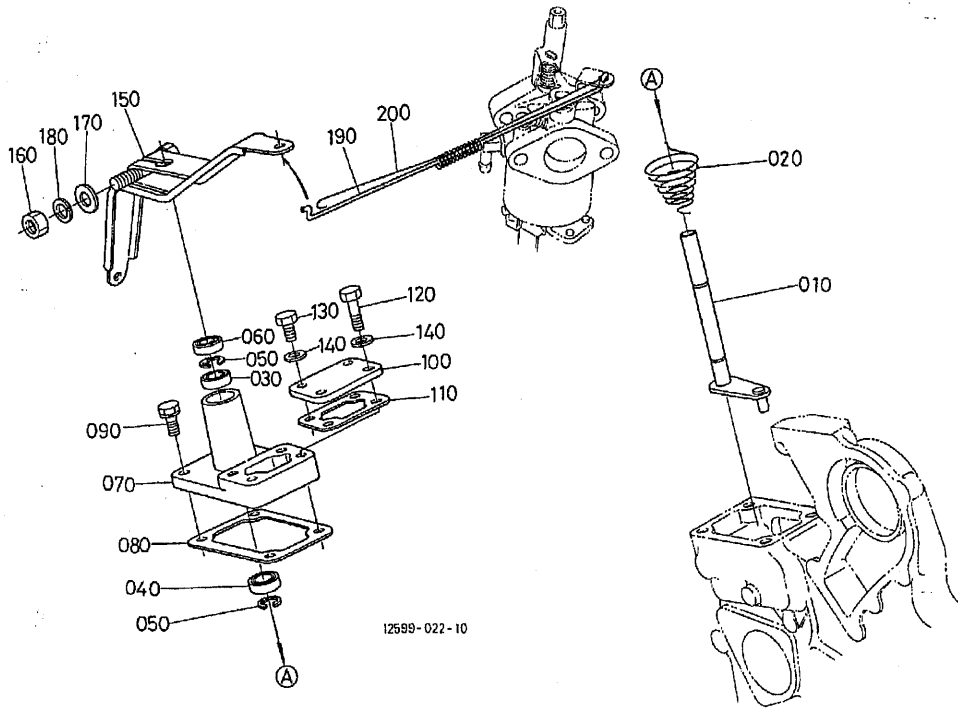
A:WG750-E-BROOKS

REF.No. POS.No. BILD-Nr.	PART No. REFERENCE BESTELL-Nr.	PART NAME	DESIGNATION	BEZEICHNUNG	Q'TY/S.No. Q'TE/No.S. STUECK/S.Nr.	I.C.	REMARKS REMARQUES BEMERKUNGEN
					A	I.C.	
010	12581-5165-0	COVER	COUVERCLE	DECKEL	1		
020	12581-5166-0	GASKET	JOINT	DICHTUNGSPLETTE	<=559355		
020	EG281-5166-0	GASKET	JOINT	DICHTUNGSPLETTE	>=559356	←	
030	01053-50612	BOLT	VIS	BOLZEN	1		
040	15601-9665-0	GASKET	JOINT	DICHTUNGSPLETTE	1		
050	01023-50614	BOLT	VIS	BOLZEN	3		
060	12581-1603-0	ASSY SHAFT, DISTRIBUTOR	ENS.ARBRE DE CONCES	GRP.WELLEDISTRIBUTOR	<=5V9999		
060	12581-1603-3	ASSY SHAFT, DISTRIBUTOR	ENS.ARBRE DE CONCES	GRP.WELLEDISTRIBUTOR	>=5W0001	←	
060	12581-1603-4	ASSY SHAFT, DISTRIBUTOR	ENS.ARBRE DE CONCES	GRP.WELLEDISTRIBUTOR	>=9Y0001	←	#
070	12581-1618-0	SHAFT, DISTRIBUTOR	ARBRE DE CONCESSION	WELLDISTRIBUTOR			
080	08153-06203	BEARING,BALL	ROULEMENT A BILLES	KUGELLAGER	1		
090	15841-5115-0	GEAR, INJECTION PUMP	ENGRE.POMPE D'INJEC.	GETRIEBEZAHNRAD	1		
100	05712-00515	KEY, FEATHER	CLAVETTE	KEIL	1		
110	15841-5545-0	SLEEVE, GOVERNOR	BAGUE DE REGULATEUR	REGLERMUFFE	<=5V9999		
110	15841-5545-2	SLEEVE, GOVERNOR	BAGUE DE REGULATEUR	REGLERMUFFE	>=5W0001	←	
120	15841-5569-0	CASE, GOVERNOR BALL	CUVETTE DE BILLES	REGLER-KUGELGEHAUSE	<=9X2999		#
120	15841-5569-2	CASE, GOVERNOR BALL	CUVETTE DE BILLES	REGLER-KUGELGEHAUSE	>=9Y0001	←	#
130	07715-00801	BALL	BILLE	KUGEL	32		
140	15261-5547-0	CIR-CLIP, GOV. SLEEVE	JONC D'ARRET	SPRENGRING	1		
150	07715-03217	BALL	BILLE	KUGEL	8		
160	08103-06203	BEARING,BALL	ROULEMENT A BILLES	KUGELLAGER	<=3Z1309		
160	16871-9730-0	BEARING,BALL	ROULEMENT A BILLES	KUGELLAGER	>=4A0001	↔	
170	15841-1632-0	STOPPER, FUEL C/SHAFT	BOUCHON	STOPFENNOCKENWELLE	1		
180	01023-50612	BOLT	VIS	BOLZEN	2		

↔ Interchangeable; ≠ not Interchangeable; ← new for old; → old for new

0200

GOVERNOR
REGULATEUR DE VITESSES
REGULER



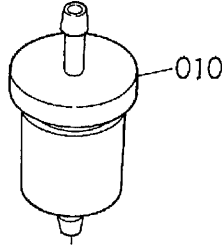
A: WG750-E-BROOKS

REF. No. POS. No. BILD-Nr.	PART No. REFERENCE BESELL-Nr.	PART NAME	DESIGNATION	BEZEICHNUNG	Q'TY/S. No. Q'TE/No. S. STUECK/S.Nr.		I. C.	REMARKS REMARQUES BEMERKUNGEN
					A	B		
010	12581-5610-0	COMP LEVER, GOVERNOR	LEVIER DE REGULATEUR	KOMP. REGLERHEBEL	1	-		
020	12581-5587-0	SPRING, GOVERNOR LEVR	RESSORT REGUL-LEVR	FEDERWELLE	1	-		
030	12581-5581-0	BEARING	ROULEMENT	LAGER	1	-		
030	EG283-5581-0	BEARING	ROULEMENT	LAGER	≤=798015	-	↔	
040	12581-5582-0	BEARING	ROULEMENT	LAGER	≤=798015	-		
040	EG283-5582-0	BEARING	ROULEMENT	LAGER	≥=798016	-	↔	
050	12581-5583-0	CIR-CLIP	CIRCLIP	SPRENGRING	2	-		
060	12581-5585-0	SEAL, OIL	BAGUE JOINT	OELDICHTUNGSRING	1	-		
070	12581-5631-0	SUPPORT, GOV. L. SHAFT	SUPPORT DE ARBRE	STAENDERWELLE	1	-		
080	15841-5721-0	GASKET, CONTROL PLATE	JOINT, PLAQUE CONTR.	DICHTUNG	1	-		
080	15862-5721-0	GASKET, CONTROL PLATE	JOINT, PLAQUE CONTR.	DICHTUNG	≤=559355	-	←	
080	15841-5721-2	GASKET, CONTROL PLATE	JOINT, PLAQUE CONTR.	DICHTUNG	≥=559356	-	←	
090	01023-50618	BOLT	VIS	BOLZEN	2	-	←	
100	12581-5633-0	COVER	COUVERCLE	DECKEL	1	-		
110	12581-5634-0	GASKET	JOINT	DICHTUNGSPLATTE	1	-		
110	EG281-5634-0	GASKET	JOINT	DICHTUNGSPLATTE	≤=559355	-	←	
120	01053-50622	BOLT	VIS	BOLZEN	2	-		
120	01053-50625	BOLT	VIS	BOLZEN	≤=4P9999	-	←	
130	01053-50612	BOLT	VIS	BOLZEN	2	-		
140	15601-9665-0	GASKET	JOINT	DICHTUNGSPLATTE	4	-		
150	12581-5611-0	LEVER, GOVERNOR	LEVIER DE REGULAT.	REGLERHEBEL	1	-		
150	EG294-5611-0	LEVER, GOVERNOR	LEVIER DE REGULAT.	REGLERHEBEL	≤=Y08023	-	←	
160	02156-50080	NUT	ECROU	MUTTER	1	-		
170	04013-60080	WASHER, PLAIN	RONDELLE FREIN	SCHLEIBE	1	-		
180	04512-60080	WASHER, SPRING	RONDELLE GROWER	FEDERRING	1	-		
190	12581-5635-0	ROD, GOVERNOR CON/ROD	TIGE DE REGULATEUR	REGLERSTANGE	1	-		
200	12581-5639-0	SPRING	RESSORT	FEDER	1	-		

↔ Interchangeable; ≠ not interchangeable; ← new for old; → old for new

0201

FUEL FILTER
 FILTRE A CARBURANT
 KRAFTSTOFFILTER



12691-010-10

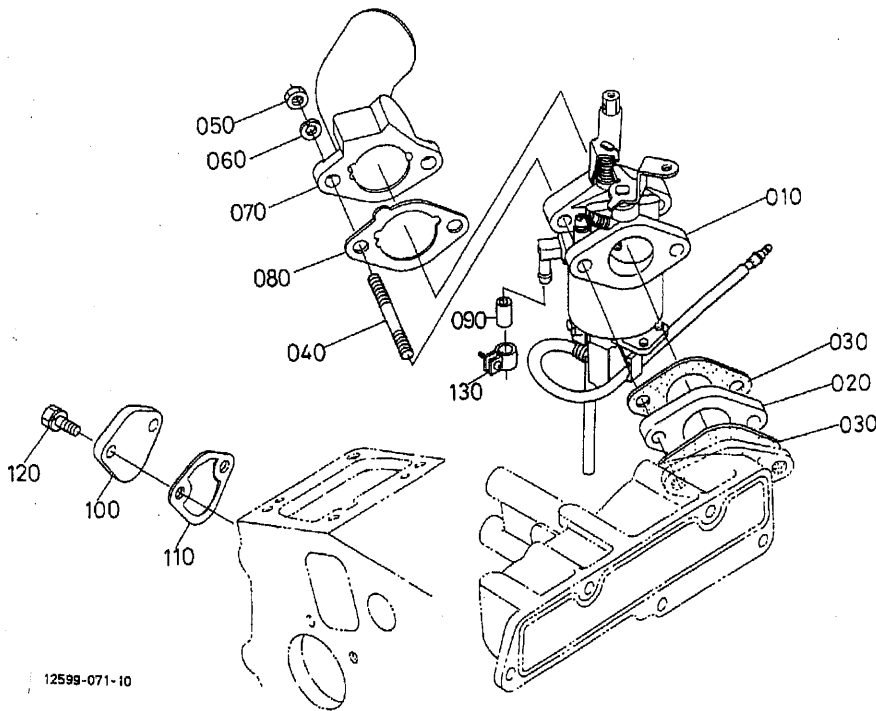
A:WG750-E-BROOKS

REF. No. POS. No. BILD-Nr.	PART No. REFERENCE BESELL-Nr.	PART NAME	DESIGNATION	BEZEICHNUNG	QTY/S. No. Q' TE/No. S. STUECK/S. Nr.		I. C.	REMARKS REMARQUES BEMERKUNGEN
					A	B		
010	12691-4301-0	ASSY FILTER, FUEL	ENS. FILTRE, COMBUST	GRP. KRAFTSTOFFILTER	1 ≤314269	-		
010	12581-4301-0	ASSY FILTER, FUEL	ENS. FILTRE, COMBUST	GRP. KRAFTSTOFFILTER	1 ≥314270	-	↔	
010	12581-4301-2	ASSY FILTER, FUEL	ENS. FILTRE, COMBUST	GRP. KRAFTSTOFFILTER	1 ≥512878	-	←	

↔ interchangeable; ≠ not interchangeable; ← new for old; → old for new

0202

CARBURETTOR
 CARBURATEUR
 KARBURATOR



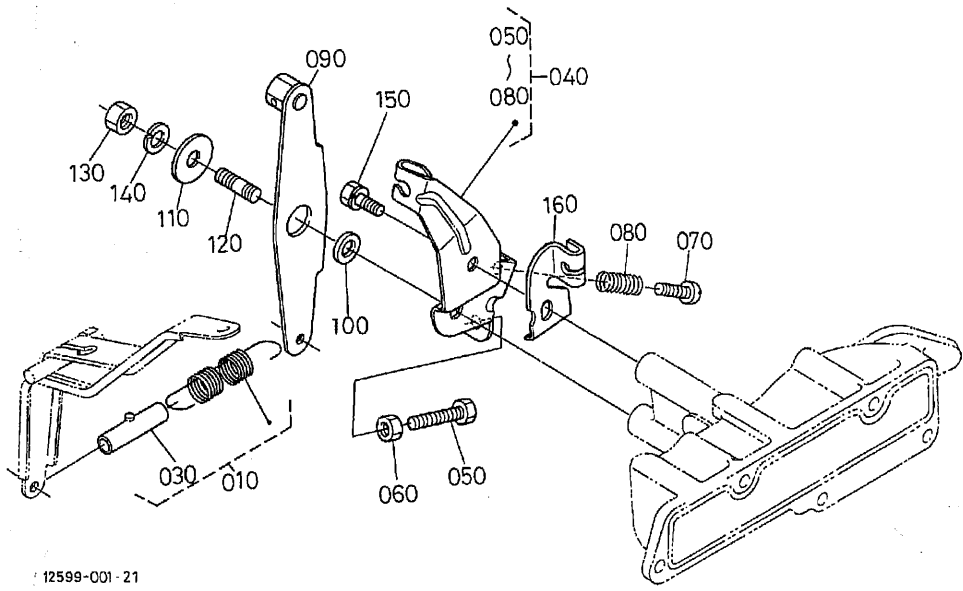
A: WG750-E-BROOKS

REF. No. POS. No. BILD-Nr.	PART No. REFERENCE BESELL-Nr.	PART NAME	DESIGNATION	BEZEICHNUNG	Q' TY/S. No. Q' TE/No. S. STUECK/S. Nr.		I. C.	REMARKS REMARQUES BEMERKUNGEN
					A	B		
010	EG281-4401-0	ASSY CARBURETTOR	ENS. CARBURATEUR	VERGASER, KOMPLETT	1	-		
020	12596-4615-0	FLANGE, CARBURETTOR	FLASQUE CARBURATEUR	FLANSCH, VERGASER	1	-		
030	12035-4611-0	GASKET, CARBURETTOR, NA	JOINT DE CARBURATEUR	DICHTUNG, VERGASER	2	-		
040	01513-50885	STUD	GOIJON	STEBBOLZEN	2	-		
040	EG261-9149-0	STUD	GOIJON	STEBBOLZEN	<=830738	-		
050	02114-50080	NUT	ECROU	MUTTER	2	-		
050	02156-50080	NUT	ECROU	MUTTER	<=WL5000	-		
060	04512-60080	WASHER, SPRING	RONDELLE GROWER	FEDERRING	2	-		
070	12581-1161-0	FLANGE, AIR CLEANER	FLASQUE FILTRE A AIR	FLANSCH, LUFTFILTER	1	-		
070	EG272-1160-2	FLANGE, AIR CLEANER	FLASQUE FILTRE A AIR	FLANSCH, LUFTFILTER	<=830738	-		
080	12035-1151-0	GASKET, AIR CLEANER	JOINT D' AIR FILTRE	DICHTUNG, LUFTFILTER	1	-		
080	EG261-1151-0	GASKET, AIR CLEANER	JOINT D' AIR FILTRE	DICHTUNG, LUFTFILTER	<=830738	-		
090	12695-5121-0	CAP	BOUCHON	KAPPE	1	-		
100	15852-5285-0	COVER	COUVERCLE	DECKEL	1	-		
110	16264-5214-0	GASKET, FUEL PUMP	JOINT DE POMP. CARB.	DICHTUNG, PUMPE	1	-		
120	01023-50616	BOLT	VIS	BOLZEN	2	-		
130	14301-4275-0	CLIP, PIPE	ATTACHE	ROHRKLEMME	1	-		

↔ Interchangeable; ≠ not interchangeable; ← new for old; → old for new

0205

SPEED CONTROL LEVER
 LEVIER DE VIT-CONTROLE
 DREHZAHLVER



12599-001-21

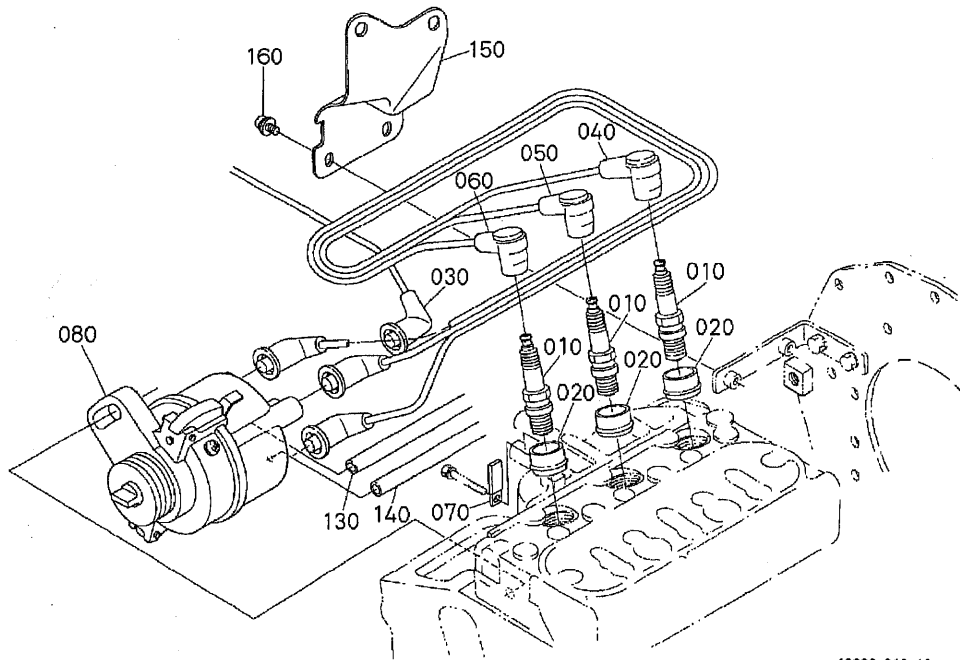
A: WG750-E-BROOKS

REF. No. POS. No. BILD-Nr.	PART No. REFERENCE BESELL-Nr.	PART NAME	DESIGNATION	BEZEICHNUNG	Q' TY/S. No. Q' TE/No. S. STUECK/S. Nr.		I. C.	REMARKS REMARQUES BEMERKUNGEN
					A	B		
010	12691-5640-0	ASSY SPRING, GOVERNOR	ENS. RESSORT REGULATR	GRP. REGLERFEDER	1	-		
020		BLANK	BLANC	LEERE SPALTE	-	-		
030	12691-5643-0	CUSHION	COUSSIN	KISSEN	1	-		
040	12581-5701-0	ASSY PLATE, CONTROL	PLATEAU DE COMMANDE	GRP. REGELPLATTE	1	-		
050	12182-9331-0	SCREW	VIS	SCHRAUBE	1	-		
060	02014-50060	NUT	ECROU	MUTTER	1	-		
070	12182-9341-0	SCREW	VIS	SCHRAUBE	1	-		
080	13641-5686-0	SPRING	RESSORT	FEDER	1	-		
090	12581-5704-0	COMP LEVER, SP-CONT	LEVIER COMP	HEBEL	1	-		
100	12581-5724-0	COLLAR	COLLIER	HUELSE	1	-		
110	04015-60080	WASHER, PLAIN	RONDELLE FREIN	SCHEIBE	1	-		
120	01518-50820	STUD	GOUJON	STEBOLZEN	1	-		
130	02156-50080	NUT	ECROU	MUTTER	1	-		
140	04512-60080	WASHER, SPRING	RONDELLE GROWER	FEDERRING	1	-		
150	01023-50614	BOLT	VIS	BOLZEN	1	-		
160	12581-4681-0	HOLDER, WIRE, CHOKE	SUPPORT DE CRAM. FIL	HALTERSTOLLENDRAHT	1	-		
160	12599-4681-0	HOLDER, CHOKE WIRE	SUPPORT FIL D'ENTRA	SCHUTZDRAHTSEILANKER	≤243640 ≥243641	-		↔

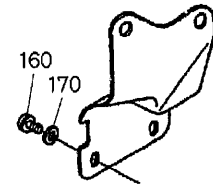
↔ Interchangeable; ≠ not interchangeable; ← new for old; → old for new

0300

SPARK PLUG AND DISTRIBUTOR
BOUGIE ALLUMAGE ET DISTRIBUTEUR
ZUENDKERZE UND VERTEILER



OLD



12692-010-16

EG281-802-11

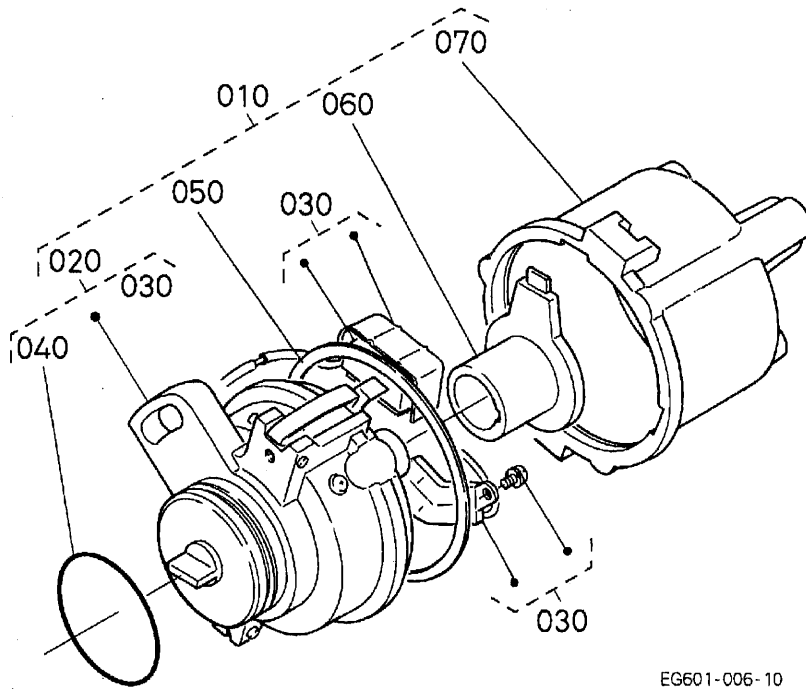
A:WG750-E-BROOKS

REF. No. POS. No. BILD-Nr.	PART No. REFERENCE BESELL-Nr.	PART NAME	DESIGNATION	BEZEICHNUNG	Q' TY/S. No. Q' TE/No. S. STUECK/S. Nr.		I. C.	REMARKS REMARQUES BEMERKUNGEN
					A	B		
010	12691-6771-0	SPARK PLUG	BOUGIE ALLUMAGE	ZUENDKERZE	3	-		
010	12599-6771-0	SPARK PLUG	BOUGIE ALLUMAGE	ZUENDKERZE	≤=712673	-		
020	12581-6772-0	CAP, SPARK PLUG	CAPSULE DE BOUGIE	KERZENSTECKER	3	-		≠
020	EG283-6772-0	CAP, SPARK PLUG	CAPSULE DE BOUGIE	KERZENSTECKER	3	-		
020	EG283-6772-0	CAP, SPARK PLUG	CAPSULE DE BOUGIE	KERZENSTECKER	≤=825650	-		
020	EG283-6772-0	CAP, SPARK PLUG	CAPSULE DE BOUGIE	KERZENSTECKER	≥=825651	-		↔
030	12691-6751-0	ASSY CORD, CENTER	ENS. CORDON CENTRE	GRP. CORDCENTER	1	-		
040	12691-6752-0	ASSY CORD, PLUG	ENS. CORDON DE FICHE	GRP. ZUENDHABEL	1	-		
050	12691-6753-0	ASSY CORD, PLUG	ENS. CORDON DE FICHE	GRP. ZUENDHABEL	1	-		
060	12691-6754-0	ASSY CORD, PLUG	ENS. CORDON DE FICHE	GRP. ZUENDHABEL	1	-		
070	15272-6759-0	CLAMP, CORD	ATTACHE-FILS	KABELKLEMME	1	-		
080	12581-6880-0	ASSY DISTRIBUTOR, AIR	ENS. DISTRIBUTEUR	GRP. VERTEILER	1	-		
090		BLANK	BLANC	LEERE SPALTE	-	-		#
100		BLANK	BLANC	LEERE SPALTE	-	-		#
110		BLANK	BLANC	LEERE SPALTE	-	-		#
120		BLANK	BLANC	LEERE SPALTE	-	-		#
130	12581-6882-0	PIPE	TUYAU	ROHR	1	-		
140	12586-6883-0	PIPE	TUYAU	ROHR	1	-		
140	EG283-6883-0	PIPE	TUYAU	ROHR	≤=766820	-		
140	EG283-6883-0	PIPE	TUYAU	ROHR	≥=766821	-		↔
150	12691-6884-0	COVER	COUVERCLE	DECKEL	1	-		
160	03024-50510	SCREW, WITH WASHER	VIS	SCHRAUBE	4	-		
160	03034-50510	SCREW, WITH WASHER	VIS	SCHRAUBE	≤=XA7337	-		
160	03034-50510	SCREW, WITH WASHER	VIS	SCHRAUBE	≥=XC0001	-		← #
170	04013-60050	WASHER, PLAIN	RONDELLE FREIN	SCHLEIFE	4	-		
					≤=XA7337	-		

↔ Interchangeable; ≠ not interchangeable; ← new for old; → old for new

0301

DISTRIBUTOR (COMPONENT PARTS)
 DISTRIBUTEUR (PARTIES COMPOSANTES)
 VERTEILER (EINZEL-TEIL)



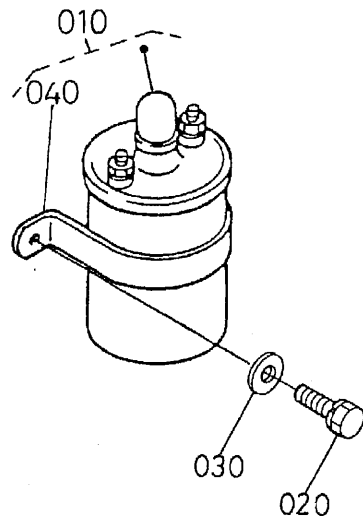
EG601-006-10

A:WG750-E-BROOKS

REF. No. POS. No. BILD-Nr.	PART No. REFERENCE BESELL-Nr.	PART NAME	DESIGNATION	BEZEICHNUNG	Q' TY/S. No. Q' TE/No. S. STUECK/S. Nr.		I. C.	REMARKS REMARQUES BEMERKUNGEN
					A	B		
010	12581-6880-0	ASSY DISTRIBUTOR, AIR	ENS. DISTRIBUTEUR	GRP. VERTEILER	1	-		
020	12581-6850-0	KIT HOUSING	ENS. CARTE	GRP. GEHAUSE	1	-		
030	12581-6860-0	ASSY IGNITER	ENS. ALLMEUR	GRP. ZUENDVERTEILER	1	-		
040	12581-6851-0	O RING	JOINT TORIQUE	O RING	1	-		
050	12581-6863-0	GASKET	JOINT	DICHTUNGSPLATTE	1	-		
060	12581-6865-0	ASSY ROTOR	ENS. ROTOR	GRP. ROTOR	1	-		
070	12581-6867-0	ASSY CAP	BOUCHON	GRP. VERSCHLUSS	1	-		

0302

IGNITION COIL
BOBINE D' ALLUMAGE
ZUENDSPULE



12691-016-12

A: WG750-E-BROOKS

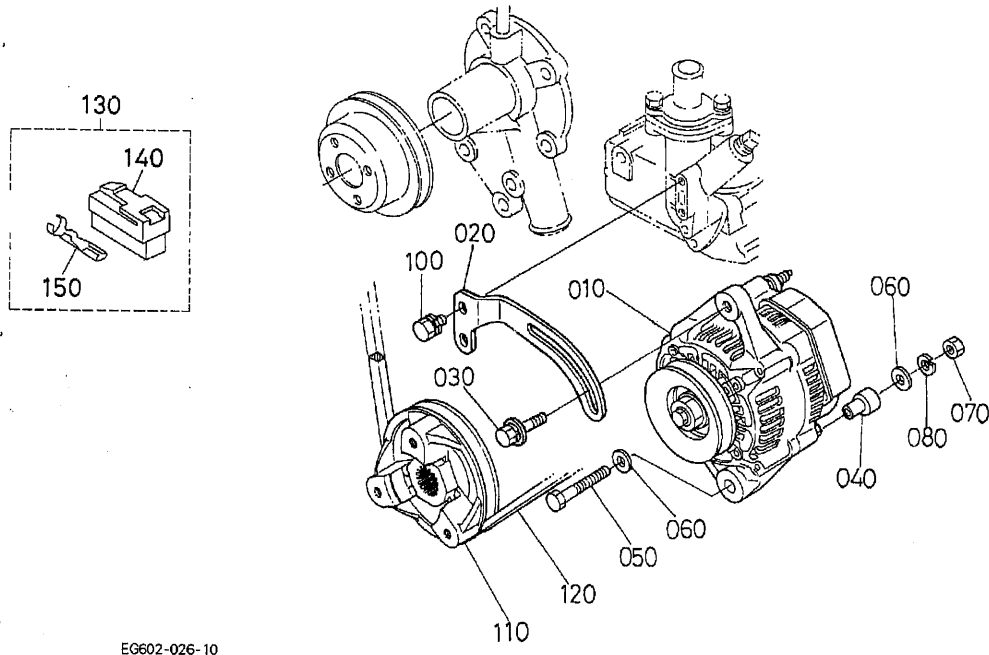
REF. No. POS. No. BILD-Nr.	PART No. REFERENCE BESELL-Nr.	PART NAME	DESIGNATION	BEZEICHNUNG	Q' TY/S. No. Q' TE/No. S. STUECK/S. Nr.		I. C.	REMARKS REMARQUES BEMERKUNGEN
					A	B		
					010	12581-6890-0		
020	01123-60816	BOLT	VIS	BOLZEN	2	-		
030	04013-60080	WASHER, PLAIN	RONDELLE FREIN	SCHEIBE	2	-		
040	12581-6892-0	BRACKET	SUPPORT	HALTER	1	-		

↔ Interchangeable; ≠ not interchangeable; ← new for old; → old for new

0402

ALTERNATOR AND PULLEY
ALTERNATEUR
DREHSTROMLICHMASCHINE

REV. APR. 25 '06



EG602-026-10

1G669-807-10

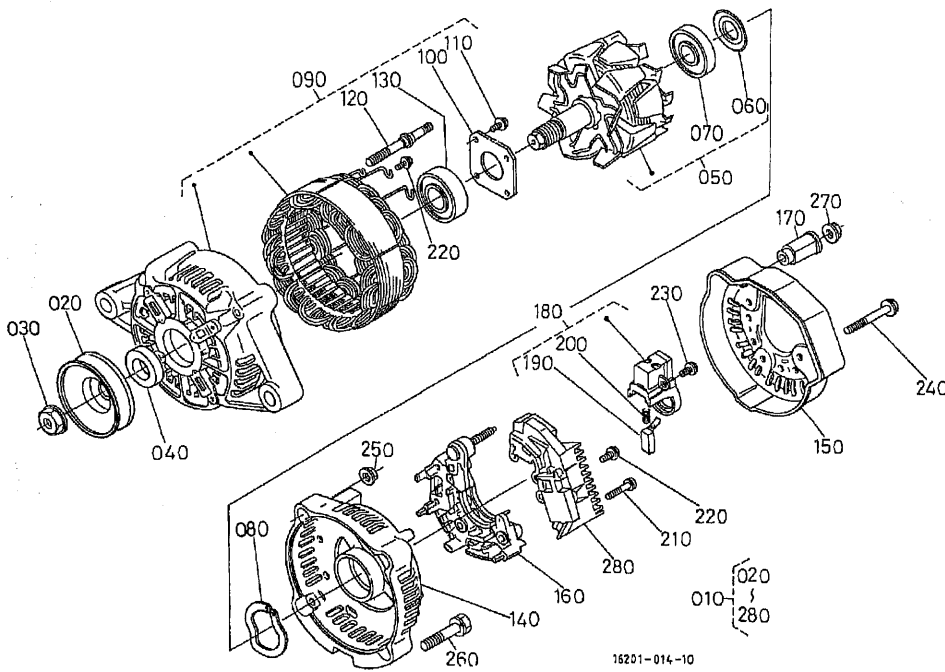
A: WG750-E-BROOKS

REF. No. POS. No. BILD-Nr.	PART No. REFERENCE BESELL-Nr.	PART NAME	DESIGNATION	BEZEICHNUNG	Q'TY/S. No. Q' TE/No. S. STUECK/S. Nr.		I. C.	REMARKS REMARQUES BEMERKUNGEN
					A	B		
010	16241-6401-0	ASSY ALTERNATOR	ALTERNATEUR COMPLET	GRP. WECHSELSTROMDYN.	1	-		12V 40A
010	16241-6401-2	ASSY ALTERNATOR	ALTERNATEUR COMPLET	GRP. WECHSELSTROMDYN.	1	-	←	12V 40A
020	15881-6442-0	STAY, ALTERNATOR	SUPPORT DE ALTERNAT.	DYNAMOSTANGE	1	-		
020	17548-6442-0	STAY, ALTERNATOR	SUPPORT DE ALTERNAT.	DYNAMOSTANGE	1	-	←	
030	01123-50825	BOLT	VIS	BOLZEN	1	-		
030	01123-50830	BOLT	VIS	BOLZEN	1	-	←	
030	16871-9103-0	BOLT	VIS	BOLZEN	1	-	≠	#
040	19837-6437-2	COLLAR	COLLIER	HUELSE	1	-		
040	19837-6437-4	COLLAR	COLLIER	HUELSE	1	-	←	
050	01153-50875	BOLT	VIS	BOLZEN	1	-		
060	04013-60080	WASHER, PLAIN	RONDELLE FREIN	SCHEIBE	2	-		
070	02114-50080	NUT	ECROU	MUTTER	1	-		
070	02156-50080	NUT	ECROU	MUTTER	1	-	←	
080	04512-60080	WASHER, SPRING	RONDELLE GROWER	FEDERRING	1	-		
090	04015-60080	WASHER, PLAIN	RONDELLE FREIN	SCHEIBE	1	-		#
100	01023-50616	BOLT	VIS	BOLZEN	2	-		
110	16861-7428-0	PULLEY, FAN DRIVE	POULIE ENTRAIN. VENT.	RIEMENSCHIEBE	1	-		#D100mm
110	16861-7428-5	PULLEY, FAN DRIVE	POULIE ENTRAIN. VENT.	RIEMENSCHIEBE	1	-	←	#D100mm
120	15881-9701-0	V BELT	COURROIE	RIEMEN	1	-		34.5IN
130	19838-6583-0	ASSY COUPLER	ENS. COUPLEUR	GRP. KUPPLER	1	-		
140	19872-6588-0	CONNECTOR	CONNECTEUR	ANSCHLUBE	1	-		
150	19237-6591-0	TERMINAL	DEBORNE	ANSCHLUBKLEMME	2	-		

↔ Interchangeable; ≠ not interchangeable; ← new for old; → old for new

0403

ALTERNATOR (COMPONENT PARTS)
 ALTERNATEUR (PARTIES COMPOSANTES)
 DREHSTROMLICHMASCHINE (EINZEL-TEIL)



A:WG750-E-BROOKS

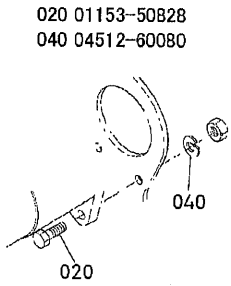
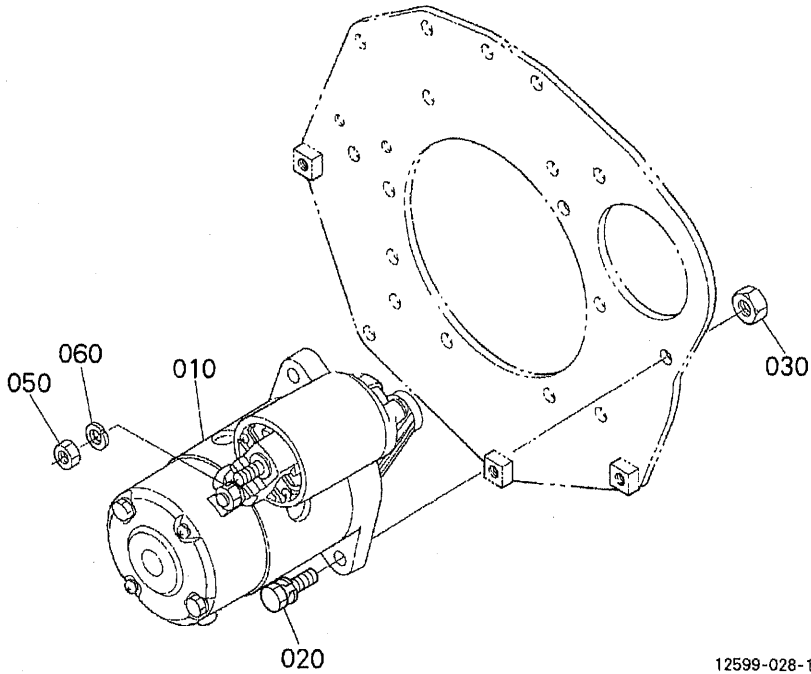
REF. No. POS. No. BILD-Nr.	PART No. REFERENCE BESELL-Nr.	PART NAME	DESIGNATION	BEZEICHNUNG	Q'TY/S.No. Q'TE/No.S. STUECK/S.Nr.		I. C.	REMARKS REMARQUES BEMERKUNGEN
					A	B		
010	16241-6401-0	ASSY ALTERNATOR	ALTERNATEUR COMPLET	GRP. WECHSELSTROMDYN.	1	-		
010	16241-6401-2	ASSY ALTERNATOR	ALTERNATEUR COMPLET	GRP. WECHSELSTROMDYN.	≤=1N7476	-		
020	15881-6411-0	PULLEY, DYNAMO	POULIE D'ALTERNATEUR	RIEMENSCHNUR, DYNAMO	≥=100001	-	←	
030	15881-9201-0	NUT	EYROU	MUTTER	1	-		
040	15881-6415-0	COLLAR	COLLIER	HUELSE	1	-		
050	15881-6404-0	ROTOR	ROTOR	ROTOR	1	-		
050	66436-6404-0	ROTOR	ROTOR	ROTOR	≤=1N7476	-		
060	15881-6480-0	COVER, BEARING	COUVERCLE	DECKEL	≥=100001	-	←	
070	15881-6477-0	BEARING, BALL	ROULEMENT A BILLES	KUGELLAGER	1	-		
070	16652-6477-0	BEARING, BALL	ROULEMENT A BILLES	KUGELLAGER	≤=842906	-		
080	15881-6481-0	WASHER, THRUST	RONDELLE DE BUTEE	DRUCKSCHEIBE	1	-		
090	15881-6402-0	FRAME, DRIVE END	BATI	ANTRIEBSRAHMEN	1	-		
090	66436-6402-0	FRAME, DRIVE END	BATI	ANTRIEBSRAHMEN	≤=1N7476	-		
100	15881-6471-0	PLATE, RETAINER	PLAQUE RETENUE	HALTEPLATTE	1	-	≠	
110	15881-9301-0	SCREW, ROUND HEAD	VIS A TETE RONDE	RUNDKOPFSCHRAUBE	4	-		
120	15881-6426-0	BOLT, THROUGH	VIS, PASSANT	DURCHGEHENDERBOLZEN	2	-		
130	15881-6478-0	BEARING, BALL	ROULEMENT A BILLES	KUGELLAGER	1	-		
130	16652-6478-0	BEARING, BALL	ROULEMENT A BILLES	KUGELLAGER	≤=842906	-		
140	16241-6406-0	FRAME, END	BATI	RAHMEN	≥=842907	-	←	
140	16231-6406-0	FRAME, END	BATI	RAHMEN	≤=1N7476	-		
150	16241-6423-0	COVER, END	PALIER ARRIERE	DECKEL	≥=100001	-	←	
150	16231-6423-0	COVER, END	PALIER ARRIERE	DECKEL	≤=1N7476	-		
160	16241-6485-0	ASSY RECTIFIER	REDRESSEUR	MONT. GLEICHRICHTER	1	-	≠	
170	16241-6490-0	BUSH, INSULATION	BAGUE ISOLANTE	BUCHSE	1	-		
180	15881-6431-0	HOLDER, BRUSH	PORTE-BALAI	BUERSTEN HALTER	1	-		
180	16652-6431-0	HOLDER, BRUSH	PORTE-BALAI	BUERSTEN HALTER	≤=1N7476	-		
190	15881-6409-0	BRUSH	PATTE D'ATTACHE	BUERSTE	1	-	≠	
200	15881-6433-0	SPRING, BRUSH	RESSORT DE BALAI	SCHLEIFBUERSTENFEDER	2	-		
210	15881-9302-0	SCREW, ROUND HEAD	VIS A TETE RONDE	RUNDKOPFSCHRAUBE	2	-		
220	15881-9303-0	SCREW, ROUND HEAD	VIS A TETE RONDE	RUNDKOPFSCHRAUBE	6	-		

↔ Interchangeable; ≠ not interchangeable; ← new for old; → old for new

040400

**STARTER
DEMARREUR
ANLASSER**

REV.OCT.26 '09



12599-028-14 EG654-801-10

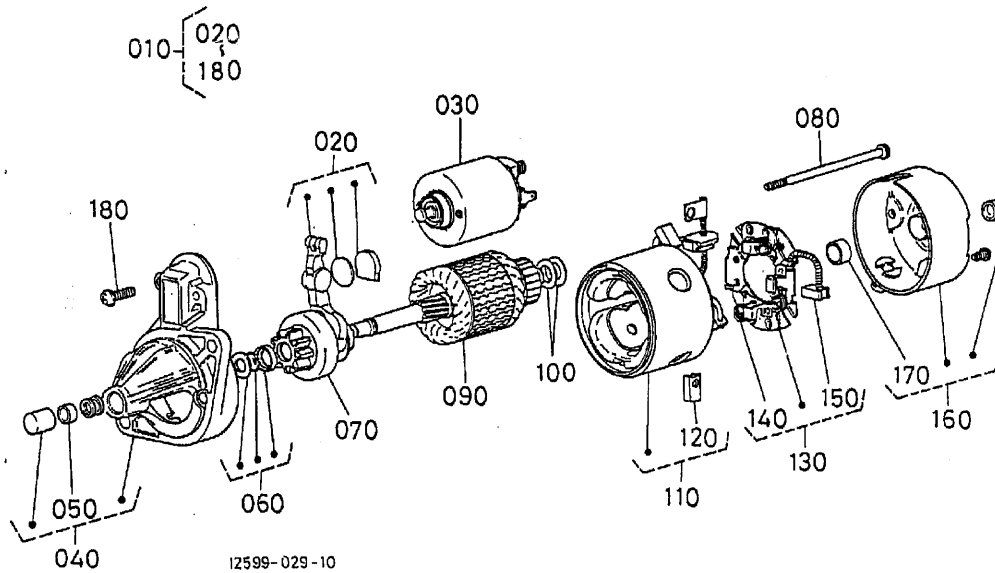
A:WG750-E-BROOKS

REF.No. POS.No. BILD-Nr.	PART No. REFERENCE BESTELL-Nr.	PART NAME	DESIGNATION	BEZEICHNUNG	Q'TY/S.No. Q'ITE/No.S.	I.C.	REMARKS REMARQUES BEMERKUNGEN
					A	I.C.	
010	15852-6301-0	ASSY STARTER	ENS.DEMARREUR	GRP.ANLASSER	1		12V 0.7kW
020	01153-50828	BOLT	VIS	BOLZEN	2		#
020	01123-50830	BOLT	VIS	BOLZEN	2 <=6Z9999 >=7A0001	←	#
030	02156-50080	NUT	ECROU	MUTTER	2		
040	04512-60080	WASHER,SPRING	RONDELLE GROWER	FEDERRING	2 <=6Z9999		#
050	02114-50080	NUT	ECROU	MUTTER	1 <=WL5000		
050	02156-50080	NUT	ECROU	MUTTER	1 >=WN0001	←	
060	04512-60080	WASHER,SPRING	RONDELLE GROWER	FEDERRING	1		

↔ Interchangeable; ≠ not Interchangeable; ← new for old; → old for new
27

0405

STARTER (COMPONENT PARTS)
 DEMARREUR (PARTIES COMPOSANTES)
 ANLASSER (EINZEL-TEIL)



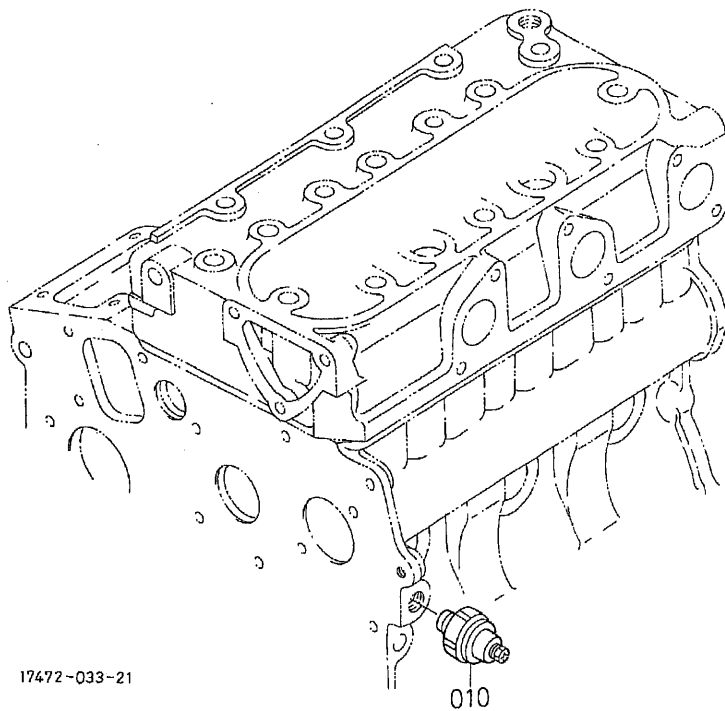
A:WG750-E-BROOKS

REF. No. POS. No. BILD-Nr.	PART No. REFERENCE BESELL-Nr.	PART NAME	DESIGNATION	BEZEICHNUNG	Q' TY/S. No. Q' TE/No. S. STUECK/S. Nr.		I. C.	REMARKS REMARQUES BEMERKUNGEN
					A	B		
010	15852-6301-0	ASSY STARTER	ENS. DEMARREUR	GRP. ANLASSER	1	-		
020	15852-6305-0	LEVER, DRIVE	LEVIER D' ENTRAINEM.	ANTRIEBHEBEL	1	-		
030	15852-6302-0	SWITCH, MAGNETIC	INTERRUP. MAGNETIQUE	MAGNETSCHALTER	1	-		
040	15852-6303-0	FRAME, DRIVE END	BATI	ANTRIEBSRAHMEN	1	-		
050	15852-6324-0	BUSH	BAGUE	BUCHSE	1	-		
060	19837-6315-0	STOPPER	POINTEAU D' ARRET	STOPFEN	1	-		
070	15852-6304-0	CLUTCH, OVER RUNNING	EMBRAYAGE A INERTIE	AUFLAUFKUPPLUNG	1	-		
080	15852-6332-0	BOLT	VIS	BOLZEN	2	-		
090	15852-6307-0	ARMATURE	ARMATURE	ARMATUR	1	-		
100	15852-6341-0	WASHER, ADJUSTING	RONDELLE DE REGLAGE	EINSTELLSCHEIBE	1	-		
110	15852-6308-0	YOKE	FOURCHE	GABELGELENK	1	-		
120	15852-6336-0	BRUSH	PATTE D' ATTACHE	BUERSTE	2	-		
130	15852-6338-0	HOLDER, BRUSH	PORTE-BALAI	BUERSTEN HALTER	1	-		
140	15852-6339-0	SPRING, BRUSH	RESSORT DE BALAI	SCHLEIFBUERSTENFEDER	3	-		
150	15852-6337-0	BRUSH	PATTE D' ATTACHE	BUERSTE	1	-		
160	15852-6320-0	FRAME, END	BATI	RAHMEN	1	-		
170	15852-6325-0	BUSH	BAGUE	BUCHSE	1	-		
180	15852-9331-0	SCREW, PAN-HEAD	VIS	SCHRAUBE	1	-		

↔ interchangeable; ≠ not interchangeable; ← new for old; → old for new

0406

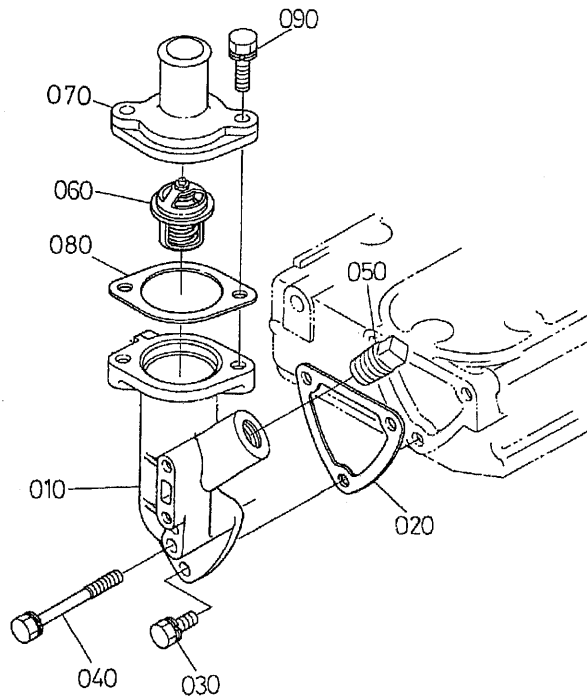
OIL SWITCH
CONTACT
OELSCHALTER



A:WG750-E-BROOKS

REF. No. POS. No. BILD-Nr.	PART No. REFERENCE BESELL-Nr.	PART NAME	DESIGNATION	BEZEICHNUNG	Q' TY/S. No. Q' TE/No. S. STUECK/S. Nr.		I. C.	REMARKS REMARQUES BEMERKUNGEN
					A	B		
010	15841-3901-0	SWITCH, OIL	MANO-CONTACT D' HUILE	OELDRUCKSCHALTER	1	-		

**050000 WATER FLANGE AND THERMOSTAT
BRIDE ET THERMOSTAT
WASSERFLANSCH UND THERMOSTAT**



12599-004-21

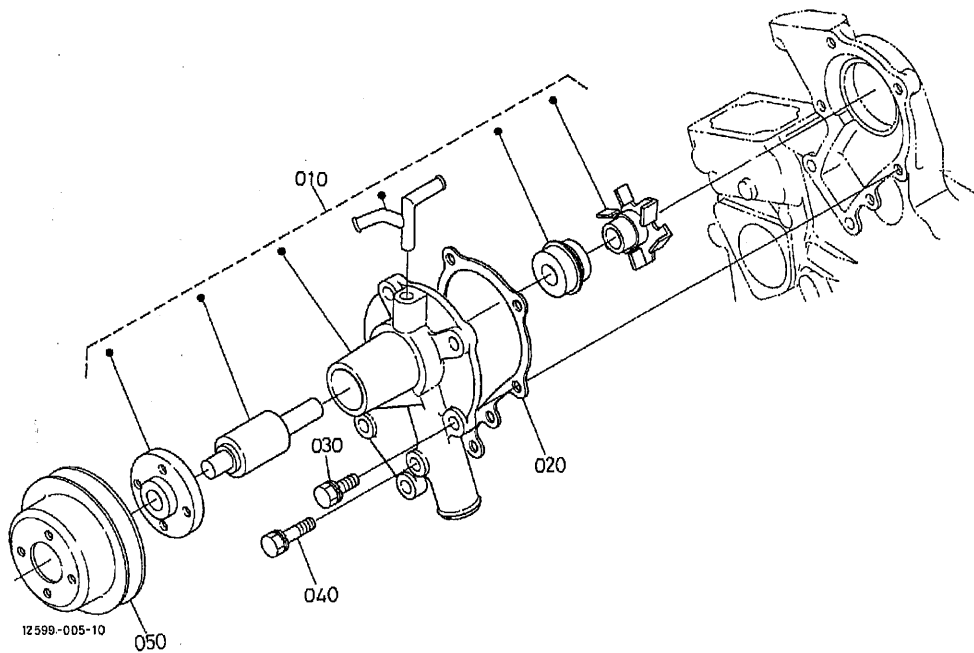
A:WG750-E-BROOKS

REF.No. POS.No. BILD-Nr.	PART No. REFERENCE BESTELL-Nr.	PART NAME	DESIGNATION	BEZEICHNUNG	QTY/S.No. QTE/No.S. STUECK/S.Nf.	I.C.	REMARKS REMARQUES BEMERKUNGEN
					A	I.C.	
010	12691-7291-0	FLANGE,WATER	BRIDE	FLANSCH	<=XQ7696		
010	12691-7291-3	FLANGE,WATER	BRIDE	FLANSCH	>=X30001	←	
020	15841-7292-0	GASKET,WATER FLANGE	JOINT DE BRIDE	DICHTUNG	<=559355		
020	15862-7292-0	GASKET,WATER FLANGE	JOINT DE BRIDE	DICHTUNG	>=559356	←	
020	15841-7292-2	GASKET,WATER FLANGE	JOINT DE BRIDE	DICHTUNG	>=771521	←	
020	15841-7292-3	GASKET,WATER FLANGE	JOINT DE BRIDE A EAU	DICHTUNGWASSERFLANS.	>=3J0001 2	←	
030	01023-50616	BOLT	VIS	BOLZEN			
040	15881-9102-0	BOLT	VIS	BOLZEN	<=854679		
040	01023-60650	BOLT	VIS	BOLZEN	>=854680	≠	
050	19298-9602-0	PLUG	BOIJCHON	STOPFEN	<=629999		#
050	19071-9602-0	PLUG	BOUCHON	STOPFEN	>=7A0001	←	#
060	19203-7301-0	ASSY THERMOSTAT	THERMOSTAT COMP.	GRP.THERMOSTAT	<=559355		
060	15531-7301-0	ASSY THERMOSTAT	THERMOSTAT COMP.	GRP.THERMOSTAT	>=559356	←	
070	15841-7326-0	COVER,THERMOSTAT	COUV.DE THERMOSTAT	DECKEL,THERMOSTAT			
080	15676-7327-0	GASKET	JOINT	DICHTUNGSPLATTE	<=559355		
080	16851-7327-0	GASKET,THERMOSTAT	JOINT PLAT	DICHTUNG	>=559356	←	
090	01023-50622	BOLT	VIS	BOLZEN	>=3J0001 2		

↔ Interchangeable; ≠ not Interchangeable; ← new for old; → old for new

0501

WATER PUMP
POMPE A EAU
WASSER PUMPE



A:WG750-E-BROOKS

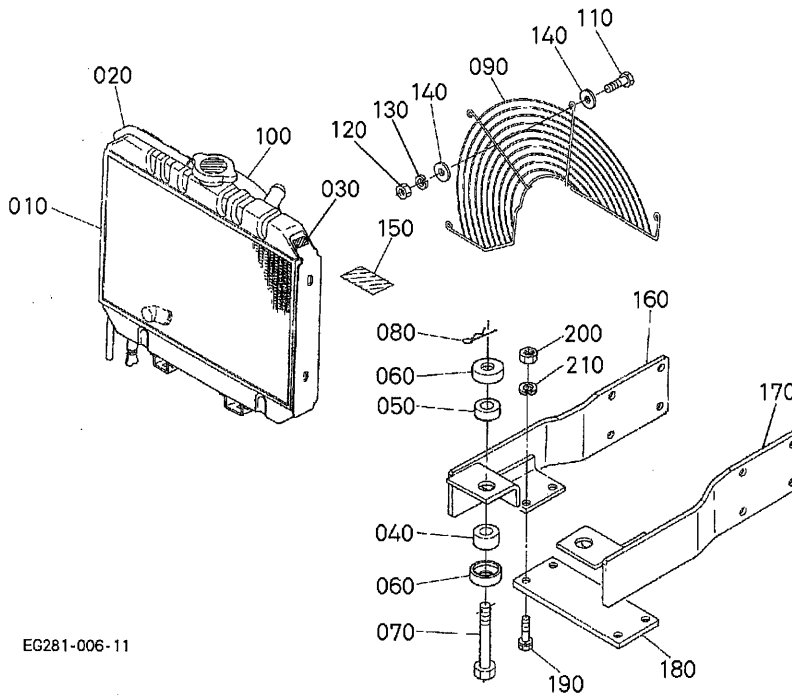
REF. No. POS. No. BILD-Nr.	PART No. REFERENCE BESELL-Nr.	PART NAME	DESIGNATION	BEZEICHNUNG	Q'TY/S. No. Q' TE/No. S. STUECK/S. Nr.		I. C.	REMARKS REMARQUES BEMERKUNGEN
					A	B		
010	12691-7303-0	ASSY PUMP, WATER	ENS. POMPE A EAU	GRUPPE WASSERPUMPE	1	-		
020	15881-7343-0	GASKET, WATER PUMP NA	JOINT DE POMPE A EAU	DICHTUNG, WASSERPMPPE	1	-		
020	19883-7343-0	GASKET, WATER PUMP NA	JOINT DE POMPE A EAU	DICHTUNG, WASSERPMPPE	<=559355	-		
020	15881-7343-2	GASKET, WATER PUMP NA	JOINT DE POMPE A EAU	DICHTUNG, WASSERPMPPE	1	-	←	
030	01023-50622	BOLT	VIS	BOLZEN	>=559356	-	←	
040	01023-50638	BOLT	VIS	BOLZEN	>=752019	-	←	
050	15841-7425-0	PULLEY, FAN	POULIE VENTILATEUR	VENTILATORSCHEIBE	4	-		
					1	-		

↔ Interchangeable; ≠ not interchangeable; ← new for old; → old for new

0502

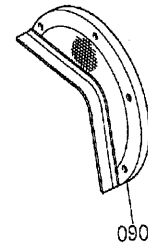
RADIATOR
RADIATEUR
KUEHLER

REV. APR. 20 '04



EG281-006-11

OLD PART



EG281-810-10

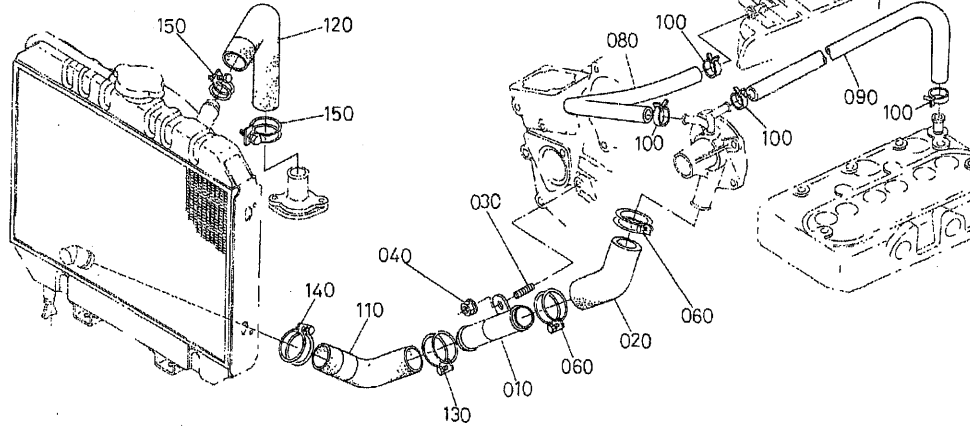
A:WG750-E-BROOKS

REF. No. POS. No. BILD-Nr.	PART No. REFERENCE BESELL-Nr.	PART NAME	DESIGNATION	BEZEICHNUNG	Q' TY/S. No. Q' TE/No. S. STUECK/S. Nr.		I. C.	REMARKS REMARQUES BEMERKUNGEN
					A	B		
010	12691-7206-0	ASSY RADIATOR	ENS. RADIATEUR	GRP. KUEHLER	1	-		
020	15401-7271-0	PIPE, WATER OVER FLOW	ENS. TUYAU TROP-PLEIN	UEBERLAUFROHR	1	-		
030	16478-8823-0	LABEL, RADIATOR	ETIQUETTE	AUFKEBER	1	-		
040	15111-7218-0	CUSHION	COUSSIN	KISSEN	2	-		
050	15111-7219-0	CUSHION	COUSSIN	KISSEN	2	-		
060	15111-7220-0	WASHER	RONDELLE	SCHEIBE	4	-		
070	15108-7238-0	BOLT	VIS	BOLZEN	2	-		
080	05515-61000	PIN, SNAP	GOUILLE BETA	SICHERUNGSTIFT	2	-		
090	19427-7412-0	COVER, FAN	COUVERCLE, VENT/L	VENTILATORDECKEL	1	-		
090	19427-7412-4	COVER, FAN	COUVERCLE, VENT/L	VENTILATORDECKEL	≤771520	-	←	
090	16639-7412-0	COVER, FAN	COUVERCLE, VENT/L	VENTILATORDECKEL	≥771521	-	↔	#
100	19427-7233-0	SHROUD, FAN	DEFLECTEUR DE VENTIL	LUFTLEITBLECH	1	-		
110	01053-50614	BOLT	VIS	BOLZEN	4	-		
120	02056-50060	NUT	ECROU	MUTTER	4	-		
130	04512-60060	WASHER, SPRING	RONDELLE GROWER	FEDERRING	4	-		
140	04014-50060	WASHER, PLAIN	RONDELLE FREIN	SCHEIBE	8	-		
150	19426-8788-0	LABEL, INSTRUCTION	ETIQUETTE	AUFKLEBER	1	-		
160	12586-7213-0	SUPPORT, RADIATOR	SUPPORT DE RADIATEUR	KUEHLERFUSS	1	-		
170	12586-7214-0	SUPPORT, RADIATOR	SUPPORT DE RADIATEUR	KUEHLERFUSS	1	-		
180	19416-7215-0	STAY	SUPPORT	STREBE	1	-		
190	01153-50822	BOLT	VIS	BOLZEN	4	-		
200	02156-50080	NUT	ECROU	MUTTER	4	-		
210	04512-60080	WASHER, SPRING	RONDELLE GROWER	FEDERRING	4	-		

↔ interchangeable; ≠ not interchangeable; ← new for old; → old for new

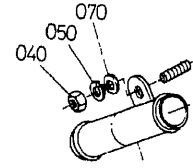
0503

WATER PIPE
TUYAU D'EAU
WASSERROHR



2599-007-11

OLD PART

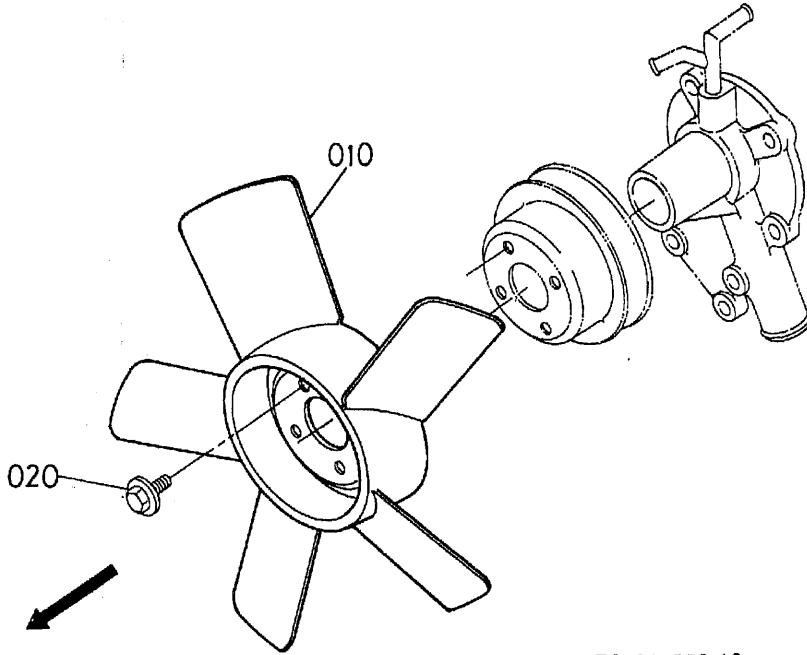


EG281-807-10

A:WG750-E-BROOKS

REF. No. POS. No. BILD-Nr.	PART No. REFERENCE BESELL-Nr.	PART NAME	DESIGNATION	BEZEICHNUNG	Q' TY/S. No. Q' TE/No. S. STUECK/S. Nr.		I. C.	REMARKS REMARQUES BEMERKUNGEN
					A	B		
010	15841-7286-0	PIPE, WATER	TUYAU D'EAU	WASSERROHR	1	-		
010	16805-7286-0	PIPE, WATER	TUYAU D'EAU	WASSERROHR	≤=4F9999	-		
020	15881-7287-0	PIPE, WATER	TUYAU D'EAU	WASSERROHR	≥=4G0001	-	≠	
020	16805-7287-0	HOSE, WATER	TUYAU D'EAU	SCHLAUCH	≤=4F9999	-		
030	15841-9151-0	STUD	GOUJON	STEBBOLZEN	≥=4G0001	-	≠	
040	02056-50060	NUT	ECROU	MUTTER	1	-		
040	02751-50060	NUT, FLANGE	ECROU A EMBASE	FLANSCHEN-MUTTER	≤=746723	-		
050	04512-60060	WASHER, SPRING	RONDELLE GROWER	FEDERRING	≥=746724	-	←	
060	09318-89030	CLAMP, HOSE	COLLIER DE DURITE	SCHLAUCHBINDER	≤=746723	-		
060	15841-7296-0	BAND, PIPE	COLLIER DE TUYAU	ROHRBAND	≤=Y98195	-		
070	04012-50060	WASHER, PLAIN	RONDELLE FREIN	SCHEIBE	≥=YU0001	-	≠	
080	12691-7335-0	PIPE, WATER RETURN	TUYAU RETOUR D'EAU	WASSERROHR	≤=746723	-		
090	12691-7337-0	PIPE, WATER RETURN	TUYAU RETOUR D'EAU	WASSERROHR	1	-		
100	16241-7336-0	BAND, PIPE	COLLIER DE TUYAU	ROHRBAND	4	-		
110	12691-7285-0	PIPE, WATER	TUYAU D'EAU	WASSERROHR	1	-		
120	12691-7294-0	PIPE, WATER	TUYAU D'EAU	WASSERROHR	1	-		
130	09318-89030	CLAMP, HOSE	COLLIER DE DURITE	SCHLAUCHBINDER	1	-		
140	15841-7296-0	BAND, PIPE	COLLIER DE TUYAU	ROHRBAND	1	-		
150	09318-89036	CLAMP, HOSE	COLLIER DE DURITE	SCHLAUCHBINDER	2	-		

↔ interchangeable; ≠ not interchangeable; ← new for old; → old for new



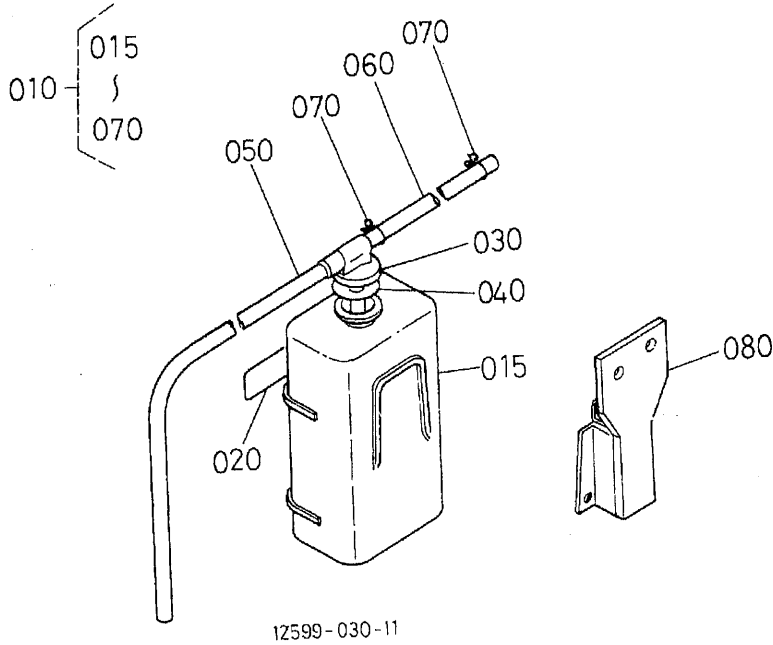
E9104-059-10

A:WG750-E-BROOKS

REF. No. POS. No. BILD-Nr.	PART No. REFERENCE BESELL-Nr.	PART NAME	DESIGNATION	BEZEICHNUNG	Q'TY/S. No. Q' TE/No. S. STUECK/S. Nr.		I. C.	REMARKS REMARQUES BEMERKUNGEN
					A	B		
010	12599-7411-0	FAN	VENTILATEUR	VENTILATOR	1	-		
020	01754-50612	BOLT, FLANGE	VIS DE BUTEE	FLANSCHEN-BOLZEN	4	-		
020	01754-50610	BOLT, FLANGE	VIS DE BUTEE	FLANSCHEN-BOLZEN	4	-		

0505

RESERVE TANK
 VASE D'EXPANSION
 RESERVEBEHALTER

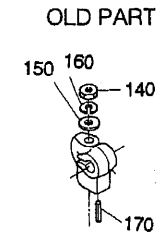
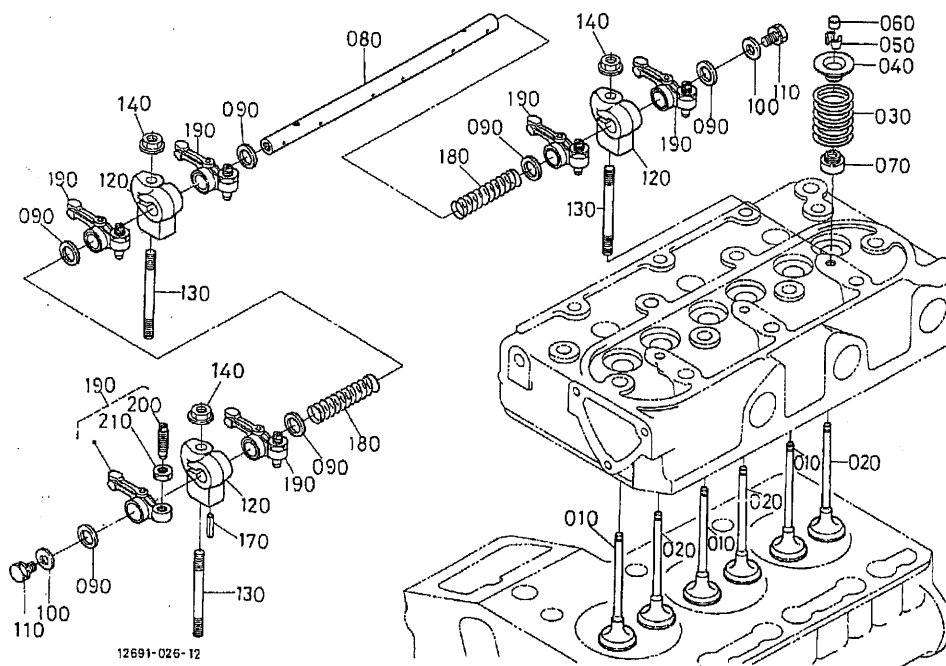


A:WG750-E-BROOKS

REF. No. POS. No. BILL-Nr.	PART No. REFERENCE BESELL-Nr.	PART NAME	DESIGNATION	BEZEICHNUNG	Q' TY/S. No. Q' TE/No. S. STUECK/S. Nr.		I. C.	REMARKS REMARQUES BEMERKUNGEN
					A	B		
010	15531-7240-2	ASSY TANK, RESERVE	ENS. VASE D' EXPANSION	GRP. RESERVEBEHAELTER	1	-		
015	15531-7241-0	BODY, TANK	CORPS DE RESERVOIR	KOEPER	1	-		
020	15501-8821-0	LABEL, CAUTION	ETIQUETTE	AUFKLEBER, ACHTUNG	1	-		
030	15531-7242-2	CAP	BOUCHON	KAPPE	1	-		
040	15531-7243-2	GASKET	JOINT	DICHTUNGSPLATTE	1	-		
050	15471-7244-0	PIPE, WATER OVER FLOW	ENS. TUYAU TROP-PLEIN	UEBERLAUFROHR	1	-		
060	15531-7244-2	PIPE, WATER OVER FLOW	ENS. TUYAU TROP-PLEIN	UEBERLAUFROHR	1	-		
070	15501-7247-0	CLIP, PIPE	ATTACHE	ROHRKLEMME	2	-		
080	19449-7250-2	COMP SUPPORT, TANK	ENS. SUPPORT DE VASE	KOMP. LAGERBLECH	1	-		

0600

VALVE AND ROCKER ARM SOUPAPES ET CULBUTEURS VENTILE UND KIPPHEBEL



EG281-808-10

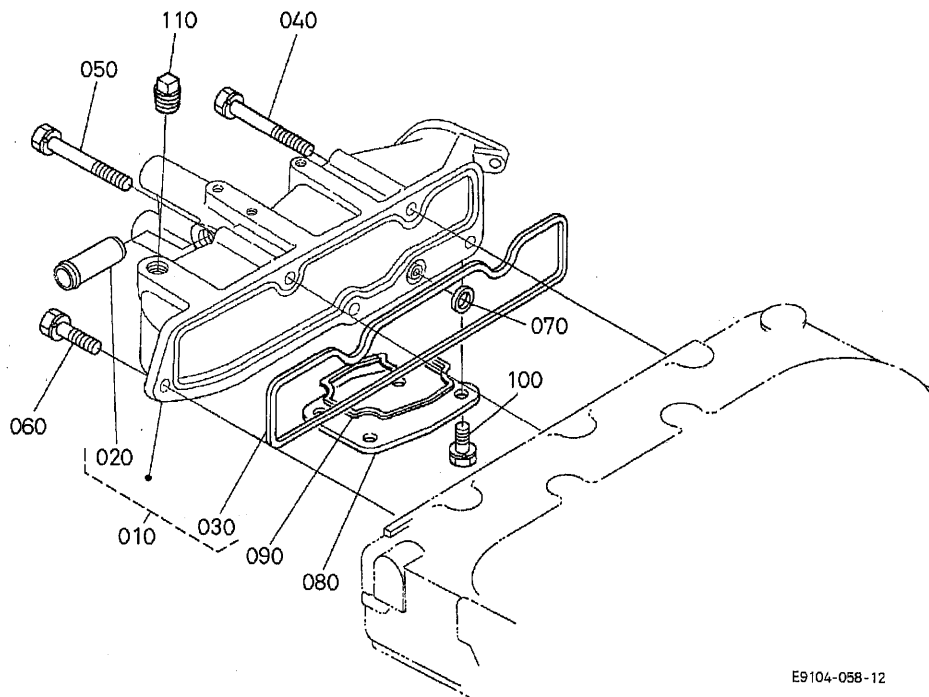
A:WG750-E-BROOKS

REF. No. POS. No. BILD-Nr.	PART No. REFERENCE BESELL-Nr.	PART NAME	DESIGNATION	BEZEICHNUNG	Q' TY/S. No. Q' TE/No. S. STUECK/S. Nr.		I. C.	REMARKS REMARQUES BEMERKUNGEN
					A	B		
010	12694-1311-0	VALVE, INLET	SOUPAPE D' ADMISSION	EINLASSVENTIL	3	-		
020	12694-1312-0	VALVE, EXHAUST	SOUPAPE D' ECHAPMENT	AUSLASSVENTIL	3	-		
030	14601-1324-0	SPRING, VALVE	RESSORT DE SOUPAPE	VENTIL-FEDER	6	-		
040	14601-1333-0	RETAINER, SPRING	ARRETOIR DE RESSORT	HALTBUEGEL, FEDER	6	-		
050	14601-1336-0	COLLET, VALVE SPRING	DEMI CLAVETTE	KLEMMSCHEIBE	6	-		SET
060	16851-1328-0	GAP, VALVE	CHAPEAU DE SOUPAPE	VENTILKAPPE	6	-		
070	11420-1315-0	SEAL, VALVE STEM	JOINT DE SOUPAPE	VENTILDICHTUNG	6	-		
080	15861-1426-0	SHAFT, ROCKER ARM	ARBRE DE CULBUTEUR	KIPPHEBELWELLE	1	-		
080	15861-1426-3	SHAFT, ROCKER ARM	ARBRE DE CULBUTEUR	KIPPHEBELWELLE	≤836788	-		
090	16871-1443-0	WASHER	RONDELLE	SCHEIBE	≥836789	-	←	
100	15841-9402-2	WASHER, PLAIN	RONDELLE FREIN	SCHEIBE	2	-		
110	01023-50610	BOLT	VIS	BOLZEN	2	-		
120	15841-1435-0	BRACKET, ROCKER ARM	SUPPORT DE CULBUTEUR	KIPPHEBELHALTER	3	-		
120	15841-1435-3	BRACKET, ROCKER ARM	SUPPORT DE CULBUTEUR	KIPPHEBELHALTER	≤208399	-		
130	14601-1441-0	STUD	GOUJON	STEBBOLZEN	3	-	←	
140	02056-50060	NUT	ECROU	MUTTER	3	-		
140	02751-50060	NUT, FLANGE	ECROU A EMBASE	FLANSCHEN-MUTTER	3	-	←	
150	04012-50060	WASHER, PLAIN	RONDELLE FREIN	SCHEIBE	3	-		
160	04512-60060	WASHER, SPRING	RONDELLE GROWER	FEDERRING	3	-		
170	14601-1442-0	SCREW, SET, ROCKER ARM	VIS	SCHRAUBE	1	-		
170	05411-00420	PIN, SPRING	GOUILLE-RESSORT	STIFT, FEDR	1	-	≠	
180	14601-1431-0	SPRING, ROCKER ARM	RESSORT DE CULBUTEUR	FEDER, KIPPHEBEL	2	-		
190	15841-1403-0	ASSY ROCKER ARM	ENS. CULBUTEURS	GRP. KIPPHEBEL	6	-		
200	15841-1423-0	SCREW, ADJUSTING	VIS DE REGLAGE	STELLSCHRAUBE	6	-		
210	14601-1424-0	NUT	ECROU	MUTTER	6	-		

↔ Interchangeable; ≠ not interchangeable; ← new for old; → old for new

060100 INLET MANIFOLD COLLECTEUR D'ADMISSION EINLASSKRUEMMER

REV.OCT.26 '09



E9104-058-12

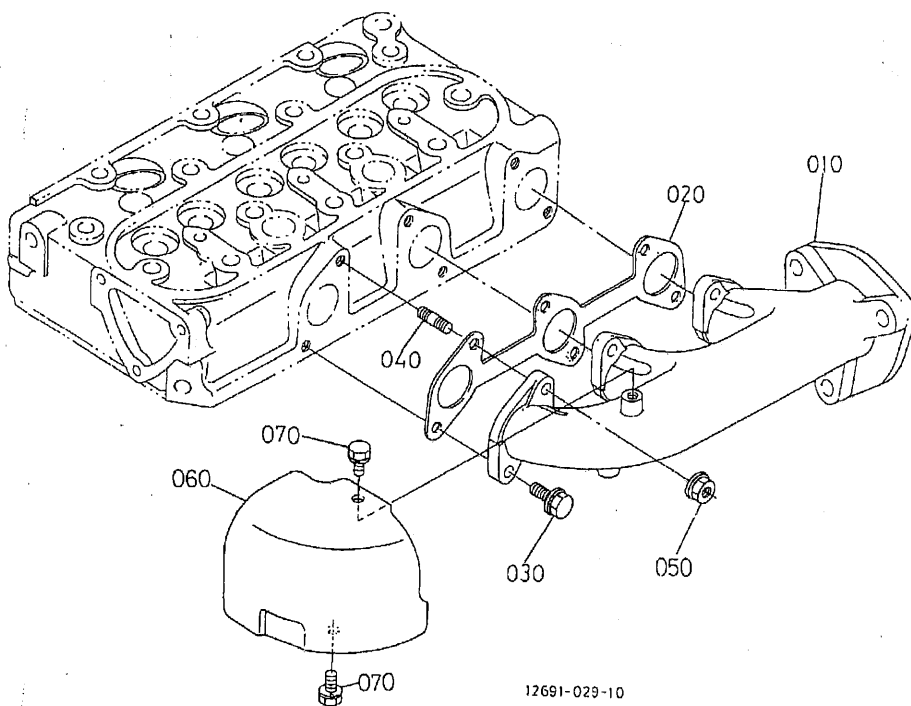
A:WG750-E-BROOKS

REF.No. POS.No. BLD.Nr.	PART No. REFERENCE BESTELL-Nr.	PART NAME	DESIGNATION	BEZEICHNUNG	QTY/S.No. QTE/No.S. STUECK/S.Nr.	I.C.	REMARKS
					A	I.C.	BEMERKUNGEN
010	12695-1171-0	ASSY MANIFOLD,INLET	ENS.COLLECTEUR D'AD.	GRP.ANSAUG-ROHRK.	1		
010	EG651-1171-0	ASSY MANIFOLD,INLET	ENS.COLLECTEUR D'AD.	GRP.ANSAUG-ROHRK.	<=287883		
010	EG651-1171-2	ASSY MANIFOLD,INLET	ENS.COLLECTEUR D'AD.	GRP.ANSAUG-ROHRK.	>=2U0001	≠	
020	15531-7334-0	PIPE,WATER RETURN	TUYAU RETOUR D'EAU	WASSERROHR	>=5S0001	←	
020	16241-7337-0	PIPE,WATER RETURN	TUYAU RETOUR D'EAU	WASSERROHR	<=8VZ999		#
030	12581-1182-0	GASKET,IN-MANIFOLD	JOINT DE COLL.ADM.	DICHTUNG ANSAUGROHR	>=8W0001	≠	#
030	EG601-1182-0	GASKET,IN-MANIFOLD	JOINT DE COLL.ADM.	DICHTUNG ANSAUGROHR	<=287883		
040	15841-9101-0	BOLT	VIS	BOLZEN	>=2U0001	≠	
050	01023-60650	BOLT	VIS	BOLZEN	2		
060	01023-50625	BOLT	VIS	BOLZEN	1		
070	12581-1183-0	GASKET	JOINT	DICHTUNGSPLATTE	2		
080	12581-1179-0	COVER	COUVERCLE	DECKEL	1		
090	12581-1184-0	GASKET	JOINT	DICHTUNGSPLATTE	1		
100	01023-50616	BOLT	VIS	BOLZEN	1		
110	19202-9604-0	PLUG	BOUCHON	STOPFEN	4		
					1		

↔ Interchangeable; ≠ not interchangeable; ← new for old; → old for new

0602

EXHAUST MANIFOLD
COLLECTEUR D' ECHAPPEMENT
AUSPUFFRUEMMER



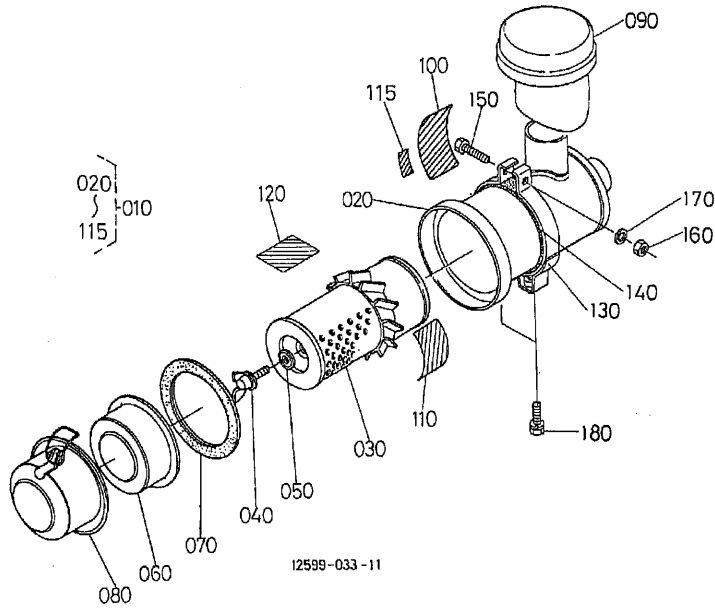
A: WG750-E-BROOKS

REF. No. POS. No. BILD-Nr.	PART No. REFERENCE BESELL-Nr.	PART NAME	DESIGNATION	BEZEICHNUNG	Q' TY/S. No. Q' TE/No. S. STUECK/S. Nr.		I. C.	REMARKS REMARQUES BEMERKUNGEN
					A	B		
010	16635-1231-0	MANIFOLD, EXHAUST	COLLECTEUR D' ECHAPP.	AUSPUFFROHR	1 ≤=586327	-		
010	16635-1231-3	MANIFOLD, EXHAUST	COLLECTEUR D' ECHAPP.	AUSPUFFROHR	1 ≥=586328	-	←	
020	15861-1235-0	GASKET, EX-MANIFOLD	JOINT DE COLL. ECHAP.	DICHTUNG, AUSPUFFROHR	1 ≤=559355	-		
020	15862-1235-0	GASKET, EX-MANIFOLD	JOINT DE COLL. ECHAP.	DICHTUNGSPLATTE	1 ≥=559356	-	←	
030	01759-50616	BOLT, UBS	VIS	BOLZEN	3	-		
040	16851-9149-0	BOLT, STUD	GOUJON PRISONNIER	STEBOLZEN	3 ≤=830738	-		
040	01513-50618	STUD	GOUJON	STEBOLZEN	3 ≥=830739	-	↔	
050	02756-50060	NUT, UBS	ECROU	MÜTTER	3	-		
060	15881-1265-0	COVER, HEAT PROOF	COUVERCLE	DICHTSATZ MOTORBLOCK	1	-		
070	01202-50608	BOLT	VIS	BOLZEN	2	-		

↔ Interchangeable; ≠ not interchangeable; ← new for old; → old for new

0603

AIR CLEANER
FILTRE A AIR
LUFTFILTER



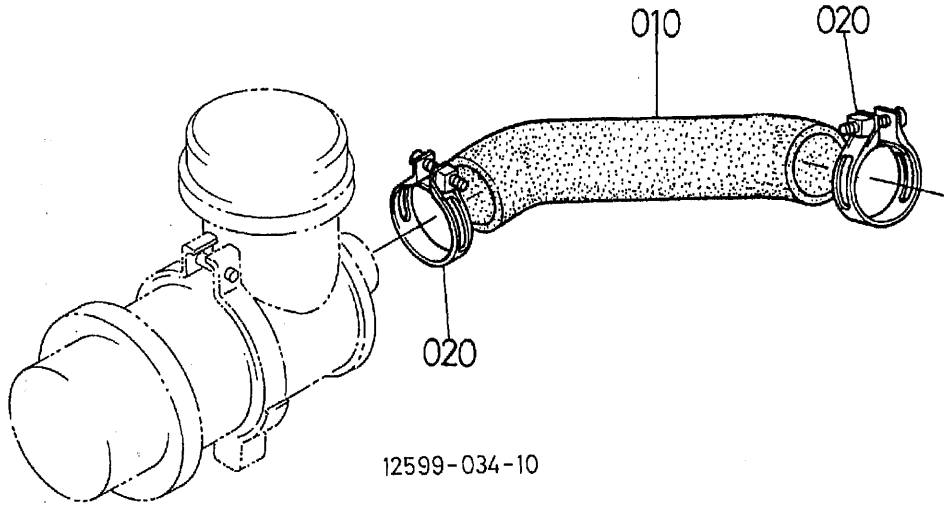
A:WG750-E-BROOKS

REF. No. POS. No. BILD-Nr.	PART No. REFERENCE BESELL-Nr.	PART NAME	DESIGNATION	BEZEICHNUNG	QTY/S. No. QTE/No. S. STUECK/S. Nr.		I. C.	REMARKS REMARQUES BEMERKUNGEN
					A	B		
010	15372-1101-0	ASSY CLEANER, AIR	ENS. FILTRE A AIR	GRP. LUFTFILTER	1	-		
010	15372-1101-6	ASSY CLEANER, AIR	ENS. FILTRE A AIR	GRP. LUFTFILTER	≤=741870	-		
020	15241-1115-0	BODY, AIR CLEANER	CORPS DE FILTER AIR	LUFTFILTERKOEPPER	≥=741871	-	←	
030	19167-1108-0	ELEMENT, AIR CLEANER	ELEMENT FILTRE A AIR	LUFTFILTERELEMENT	1	-		
040	15221-9262-0	BOLT, WING	VIS PAPILLON	FLUEGELBOLZEN	1	-		
050	15221-9443-0	WASHER, WITH RUBBER	JOINT EN CAOUTCHOUC	GUMMIUNTERLAGE	1	-		
060	15221-1141-0	COVER, BAFFLE	COUV. DE DEFLECTEUR	LEITBLECHDECKEL	1	-		
070	15221-1117-0	GASKET, A/C COVER	JOINT, COUV. A/C	DICHTUNG	1	-		
080	15241-1116-0	COVER, AIR CLEANER	COUV. FILTRE A AIR	LUFTFILTERDECKEL	1	-		
090	15241-1135-0	CAP, AIR CLEANER	CHAPEAU D' AIR FILTRE	KAPPE	1	-		
100	15372-8745-2	LABEL, AIR CLEANER	ETIQUETTE	AUFKLEBER	1	-		
110	15227-8748-0	LABEL, ELEMENT A/C	ETIQU. ELEMENT F/A	AUFKLEBER	1	-		
115	15372-8775-0	LABEL	ETIQUETTE	AUFKLEBER	≥=741871	-		
120	19426-8790-3	LABEL	ETIQUETTE	AUFKLEBER	1	-		
130	15381-1125-0	BAND, AIR CLEANER	SANGLE	LUFTFILTERBAND	≤=WL5000	-		
130	15371-1125-2	BAND, AIR CLEANER	SANGLE	LUFTFILTERBAND	≥=WN0001	-	≠	
140	15371-1187-0	CUSHION	COUSSIN	KISSEN	1	-		
150	01222-50830	BOLT	VIS	BOLZEN	1	-		
160	02114-50080	NUT	ECROU	MUTTER	≤=WL5000	-		
160	02156-50080	NUT	ECROU	MUTTER	≥=WN0001	-	←	
170	04512-60080	WASHER, SPRING	RONDELLE GROWER	FEDERRING	1	-		
180	01123-60816	BOLT	VIS	BOLZEN	2	-		

↔ interchangeable; ≠ not interchangeable; ← new for old; → old for new

0604

INLET PIPE
TUYAU D'ADMISSION
ANSAUGROHR

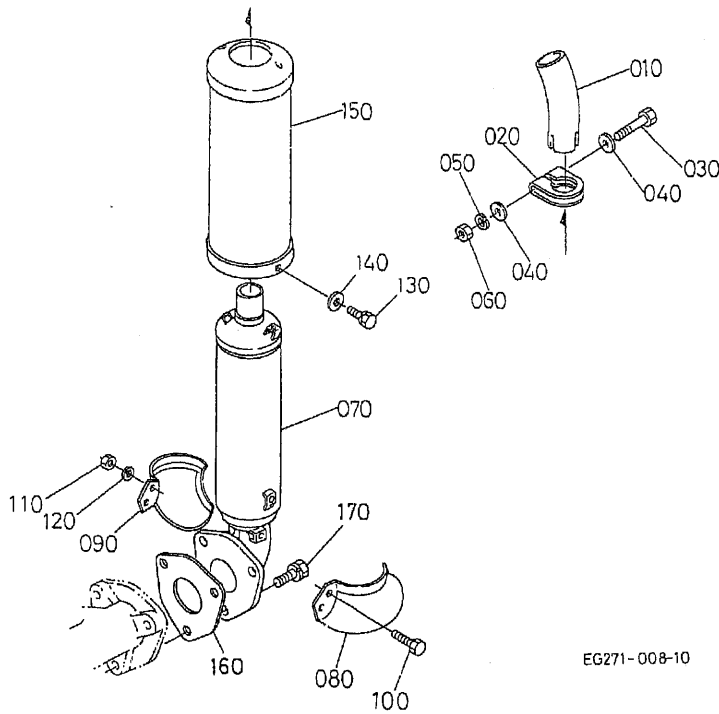


A: WG750-E-BROOKS

REF. No. POS. No. BILD-Nr.	PART No. REFERENCE BESELL-Nr.	PART NAME	DESIGNATION	BEZEICHNUNG	Q' TY/S. No. Q' TE/No. S. STUECK/S. Nr.		I. C.	REMARKS REMARQUES BEMERKUNGEN
					A	B		
010	15371-1162-0	PIPE, INLET	TUYAU D'ADMISSION	SAUGROHR	1	-		
020	15221-1172-0	BAND, PIPE	COLLIER DE TUYAU	ROHRBAND	2	-		

0605

MUFFLER
SILENCIEUX
AUSPUFFTOPF



EG271-008-10

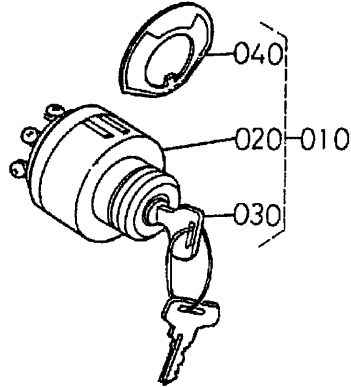
A:WG750-E-BROOKS

REF. No. POS. No. BILD-Nr.	PART No. REFERENCE BESELL-Nr.	PART NAME	DESIGNATION	BEZEICHNUNG	Q' TY/S. No. Q' TE/No. S. STUECK/S. Nr.		I. C.	REMARKS REMARQUES BEMERKUNGEN
					A	B		
010	66711-5441-0	PIPE, EXHAUST	TUYAU, ECHAPPEMENT	AUSPUFFROHR	1	-		
020	66711-5442-0	BAND, PIPE	COLLIER DE TUYAU	ROHRBAND	1	-		
030	01153-50865	BOLT	VIS	BOLZEN	1	-		
040	04013-60080	WASHER, PLAIN	RONDELLE FREIN	SCHEIBE	2	-		
050	04512-60080	WASHER, SPRING	RONDELLE GROWER	FEDERRING	1	-		
060	02156-50080	NUT	ECROU	MUTTER	1	-		
070	12581-1211-0	MUFFLER	SILENCIEUX	AUSPUFFTOPF	1	-		
070	12582-1211-0	MUFFLER	SILENCIEUX	AUSPUFFTOPF	≤761958 1 ≥761959	-	↔	
080	66711-5455-0	COVER, MUFFLER FLANGE	COUVERCLE	ABDECKUNG	1	-		
090	66711-5456-0	COVER, MUFFLER FLANGE	COUVERCLE	ABDECKUNG	1	-		
100	01053-50628	BOLT	VIS	BOLZEN	2	-		
110	02014-50060	NUT	ECROU	MUTTER	2	-		
120	04512-60060	WASHER, SPRING	RONDELLE GROWER	FEDERRING	2	-		
130	01202-50612	BOLT	VIS	BOLZEN	4	-		
140	04013-60060	WASHER, PLAIN	RONDELLE FREIN	SCHEIBE	4	-		
150	12691-5451-0	COVER, MUFFLER	COUV. DE SILENCIEUX	AUSPUFFTOPFDECKEL	1	-		
160	15852-1223-0	GASKET, MUFFLER NA	JOINT	DICHTUNG, AUSPUFFT. NA	1 ≤559355	-		
160	15862-1223-0	GASKET, MUFFLER NA	JOINT	DICHTUNG, AUSPUFFT. NA	1 ≥559356	-	←	
170	01123-50828	BOLT	VIS	BOLZEN	3	-		

↔ interchangeable; ≠ not interchangeable; ← new for old; → old for new

0801

STARTER SWITCH
 COMMANDE, DEMARREUR
 ANLASSERSCHALTER



12691-035-10

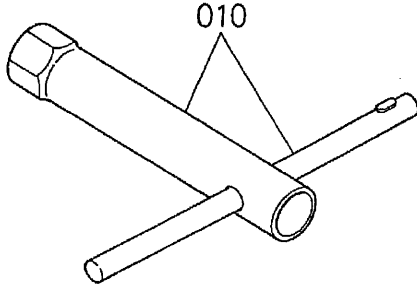
A:WG750-E-BROOKS

REF. No. POS. No. BILD-Nr.	PART No. REFERENCE BESELL-Nr.	PART NAME	DESIGNATION	BEZEICHNUNG	QTY/S. No. QTE/No. S. STUECK/S. Nr.		I. C.	REMARKS REMARQUES BEMERKUNGEN
					A	B		
010	12581-5512-0	ASSY SWITCH, STARTER	ENS. INTERRUPTEUR	ANLASSERSCHALTER	1	-		
020	66711-5513-0	SWITCH, STARTER	CONTACTEUR A CLE	ANLASSERSCHALTER	1	-		
030	66711-5524-0	KEY, START	INTERRUP. DE DEMARR.	KEIL, ANLASSER	2	-		
040	12581-5515-0	LABEL, STARTER SWITCH	ETIQUETTE	AUFKLEBER	1	-		

↔ interchangeable; ≠ not interchangeable; ← new for old; → old for new

0808

ACCESSORIES AND SERVICE PARTS
ACCESSOIRES ET PIÉCES DE SERVICE
SONTIGES ZUBEHÖR UND SERVICE-TEILE



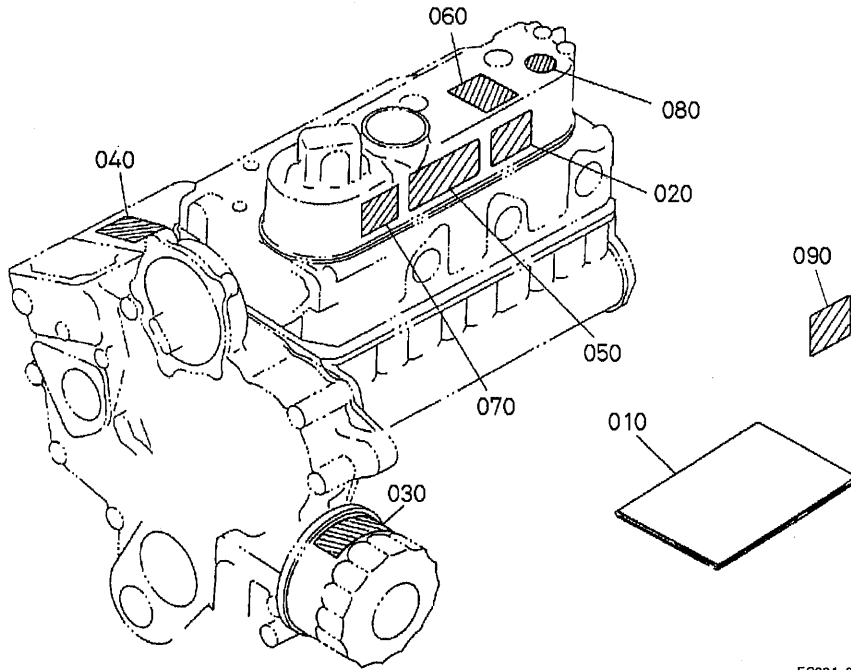
EG283-007-10

A: WG750-E-BROOKS

REF. No. POS. No. BILD-Nr.	PART No. REFERENCE BESELL-Nr.	PART NAME	DESIGNATION	BEZEICHNUNG	QTY/S. No. QTE/No. S. STUECK/S. Nr.		I. C.	REMARKS REMARQUES BEMERKUNGEN
					A	B		
.010	12581-8620-0	WRENCH, SPARK PLUG	GLE A BOUGIES	ZUENDKERZEWRENCH	1	-		

↔ Interchangeable; ≠ not interchangeable; ← new for old; → old for new

080900 LABEL AND OPERATOR'S MANUAL
JEU D'ETIQUETTES ET INSTRUCTIONS
ETIKETT UND BEDIENUNGSANLEITUNG



EG281-007-12

A:WG750-E-BROOKS

REF.No. POS.No. BILD-Nr.	PART No. REFERENCE BESTELL-Nr.	PART NAME	DESIGNATION	BEZEICHNUNG	Q'TY/S.No. Q'TE/No.S. STUECK/S.Nr.	I.C.	REMARKS
					A	I.C.	BEMERKUNGEN
010	EG281-8916-0	OPERATOR'S,MANUAL	MANUEL DE L'UTILISA.	DETDIENUNGSANLEITUNG	<=XY6894		
010	EG281-8916-3	OPERATOR'S MANUAL	MANUEL D'INSTRUCTION	BETRIEBSANLEITUNG	>=YA0001	←	
020	12581-8731-2	LABEL,OIL	ETIQUETTE	AUFKLEBER,OEL			
030	19234-8721-0	LABEL,CAUTION	ETIQUETTE	AUFKLEBER,ACHTUNG			
040	15103-9459-0	LABEL,DRAIN CAUTION	ETIQUETTE	AUFKLEBER			
050	12599-8822-2	LABEL,CAUTION	ETIQUETTE	AUFKLEBER,ACHTUNG	<=9FZ999		#
050	12599-8822-3	LABEL,CAUTION	ETIQUETTE	AUFKLEBER,ACHTUNG	>=9G0001	←	#
060	EG281-8808-0	LABEL	ETIQUETTE	AUFKLEBER			
070	12695-8713-0	MARK,LPG	MARQUE	MARK			
080	EG271-8821-2	LABEL,CAUTION	ETIQUETTE	AUFKLEBER,ACHTUNG	<=XY6894		
080	EG271-8821-4	LABEL,CAUTION	ETIQUETTE	AUFKLEBER,ACHTUNG	>=YA0001	←	
090	19426-8788-0	LABEL,INSTRUCTION	ETIQUETTE	AUFKLEBER			

↔ Interchangeable; ≠ not Interchangeable; ← new for old; → old for new

NUMERICAL INDEX
INDEX NUMERIQUE
NUMERISCHEN INDEX

PART No. REFERENCE BESELL-Nr.	PAGE PAGE SEITE	REF. No. POS. No. BILD-Nr.	PART No. REFERENCE BESELL-Nr.	PAGE PAGE SEITE	REF. No. POS. No. BILD-Nr.	PART No. REFERENCE BESELL-Nr.	PAGE PAGE SEITE	REF. No. POS. No. BILD-Nr.	PART No. REFERENCE BESELL-Nr.	PAGE PAGE SEITE	REF. No. POS. No. BILD-Nr.
16241-7336-0	6	120	19838-6583-0	24	130						
	33	100	19872-6588-0	24	140						
16264-5214-0	17	110	19883-7343-0	31	020						
16478-8823-0	32	030	32240-2141-0	5	130						
16635-1231-0	38	010	34070-7085-0	21	100						
16635-1231-3	38	010	66436-6402-0	25	090						
16652-6431-0	25	180	66436-6404-0	25	050						
16652-6477-0	25	070	66436-6460-0	26	280						
16652-6478-0	25	130	66711-5441-0	41	010						
16851-0404-0	9	090	66711-5442-0	41	020						
16851-1328-0	36	060	66711-5455-0	41	080						
16851-1511-0	10	020	66711-5456-0	41	090						
16851-1555-0	10	010	66711-5513-0	42	020						
16851-2214-0	11	070	66711-5524-0	42	030						
16851-3211-0	2	050	60090-5896-0	2	040						
16851-3501-0	1	140									
16851-3501-2	1	140									
16851-3515-0	1	150									
16851-3515-2	1	150									
16851-3641-0	8	010									
16851-3695-0	4	050									
16851-6382-0	13	020									
16851-6382-2	13	020									
16851-7327-0	30	080									
16851-9149-0	38	040									
16851-9601-0	4	020									
16851-9626-0	1	020									
16851-9627-0	1	030									
16861-0405-0	9	110									
16861-1451-0	5	010									
16861-1451-3	5	010									
16861-1452-0	5	020									
16861-1452-2	6	020									
16861-2301-0	11	090									
16861-2501-0	13	010									
16861-2501-4	13	010									
16861-7428-0	24	110									
16861-9331-0	5	080									
16871-1443-0	36	090									
17331-5919-0	1	120									
17472-1449-0	6	080									
17524-0513-0	6	050									
17548-6442-0	24	020									
19167-1108-0	39	030									
19202-9604-0	37	110									
19203-7301-0	30	060									
19234-8721-0	44	030									
19237-6591-0	24	150									
19298-9602-0	30	050									
19416-7215-0	32	180									
19426-8788-0	32	150									
	44	090									
19426-8790-3	39	120									
19427-7233-0	32	100									
19427-7412-0	32	090									
19427-7412-4	32	090									
19449-7250-2	35	080									
19837-6315-0	28	060									
19837-6437-2	24	040									
19837-6437-4	24	040									

KUBOTA

THE BASIC NECESSITIES GIANT

"Technology for the Needs of Tomorrow" is the ambition of everyone at Kubota. Through research and the development of new products for agriculture, industry, construction, and many other areas of modern life, we at Kubota hope to realize this goal.

GEANT DES NECESSITES FONDAMENTALES

"La Technologie pour les Besoins de Demain" est l'ambition de chacun CHEZ KUBOTA. A travers la recherche et le développement de nouveaux produits pour l'Agriculture, l'Industrie, la Construction et plusieurs autres domaines de la vie moderne, Nous KUBOTA, espérons atteindre ce but.

GIGANT DER FUNDAMENTALEN NOT WENDIGKEITEN

"Technologie für die Welt von Morgen"

Wir bei KUBOTA arbeiten ständig an diesem Ziel durch Forschung und Entwicklung neuer Produkte für den Agrarsektor, die Industrie, die Bauwirtschaft und viele andere Bereiche unserer modernen Zeit. Die Ziellinie verschiebt sich ständig, aber wir kommen ihr näher.

PRINTED in JAPAN
IMPRIME Au JAPON
DRUCK JAPAN