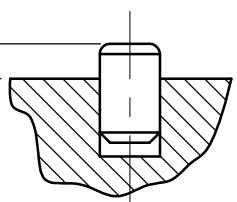
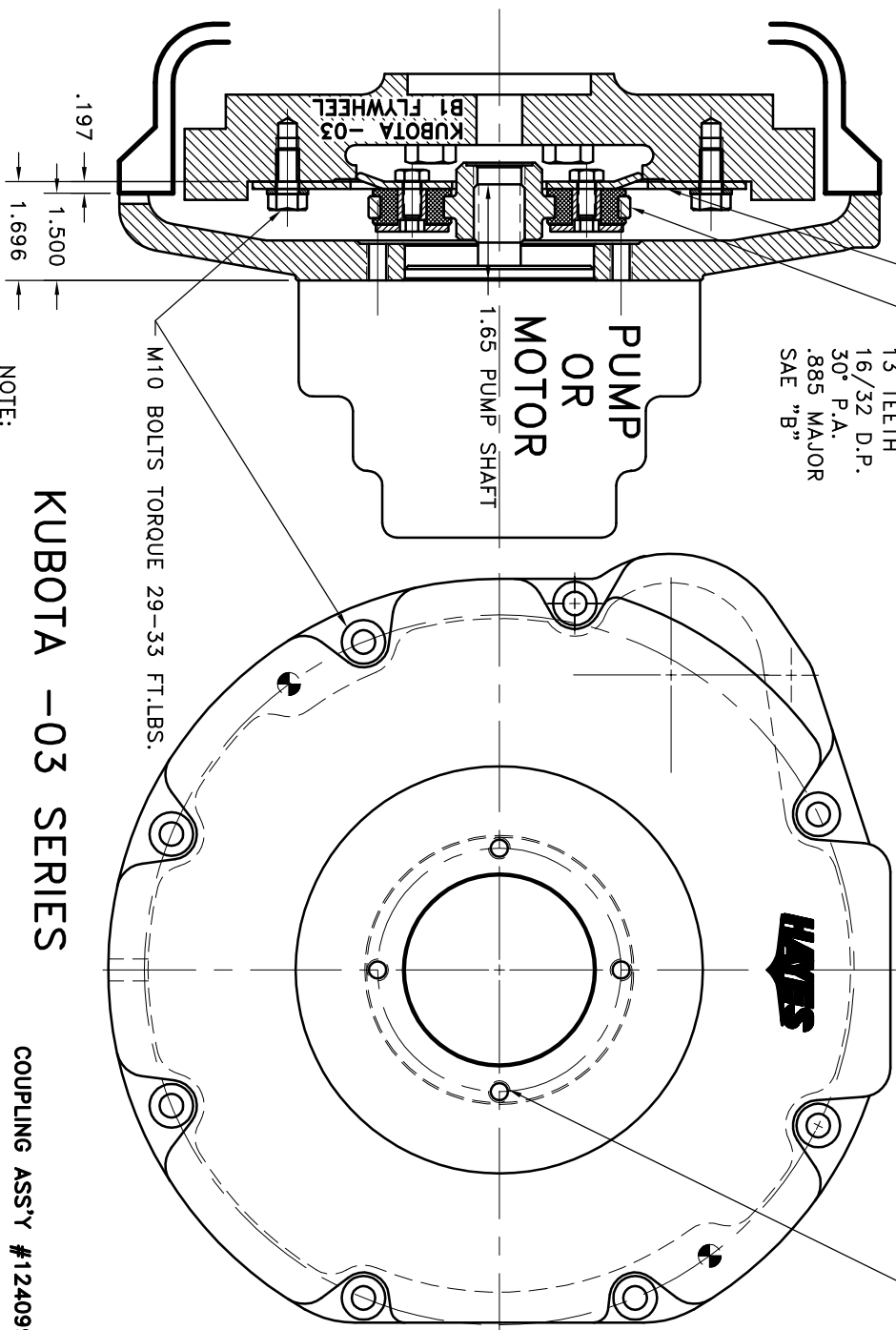


REV	DATE	CHANGE DESCRIPTION	MOD BY	CK1	CK2
A3	06/07/2007	FIXED DETAIL ERROR	ZS	RJH	HM

124118-01
8.499 DIA
(6) .406 DIA HOLES
EQ. SPACED ON 7.283 B.C.

123207-02
SPLINE DATA
13 TEETH
16/32 D.P.
30° P.A.
.885 MAJOR
SAE "B"

S.A.E. A PUMP MOUNT
3.25" PILOT
(4) 3/8-16 TAPPED HOLES
EQ. SPACED ON A 4.19 B.C.



NOTE: INSTALL 2 DOWEL PINS

ASS'Y WORKS WITH
FLYWHEELS: C-1(16414-25111) &
C-4(19629-25113)
HOUSINGS: D-9(19004-04611) &
D-8(19077-04611)

M10 BOLTS TORQUE 29-33 FT.LBS.

KUBOTA -03 SERIES

NOTE:

1. HOUSING FOR KUBOTA ENGINES D1403-B,
D1703-B, V1903-B, AND V2203-B.

2. USE FURNISHED COUPLING GREASE ON BOTH
MALE AND FEMALE SPLINE.

3. DOWEL PIN MUST BE PRESSED IN SO THERE IS
ONLY .230-.225 OF DOWEL STICKING OUT OF
HOUSING.

COUPLING ASS'Y #124099

QTY	DESCRIPTION	PART NUMBER	DET.
1	BOLT KIT	933113	10
2	M10 x 20mm DOWEL PINS	933023-10	9
1	HOUSING	801912	7
1	GREASE	HP-1125-S-32	6
1	HUBBARD PLUG	HX100	5
6	5/16-24 x 5/8" HHB	123729-01	4
6	THREADED BUSHING	H52500	3
6	NEOPRENE INSERT	123207-02	2
1	COUPLING HUB [1.3 16/32\3.000]	124118-01	1
1	FLYWHEEL PLATE [SPEC.:3.000]		1



KUBOTA -03 SERIES HOUSING & FLYWHEEL COUPLING ASS'Y

SYMBOLS		DRAWN BY		DATE	
FLATNESS	—	DATE	04-04-03	DRAWING NO.	933129
STRAIGHTNESS	—	CHECKED BY	SCALE	SHEET	OF
ANGULARITY	—	SCALE		REV.	
SURFACE FINISH	—	DATE			
PARALLELISM	—				
PERPENDICULARITY	—				
CONCENTRICITY	—				
POSITION	—				
ROUNDNESS	—				
CIRCULAR RUN OUT	—				
TOTAL RUN OUT	—				
CYLINDRICITY	—				
FINISH	—				
— UNLESS OTHERWISE SPECIFIED —					
REWORK FIRST THREE					
BREAK ALL SHARP CORNERS .010 TO .020					
STAMP OR MARK DRAWING NO.					

THIS DRAWING IS THE PROPERTY OF HAYES MFG. INC. AND IS LOANED TO YOU FOR THE CONDITION OF THE WORK ORDER ONLY. IT SHALL BE USED AS A MEANS OF REFERENCE TO WORK FURNISHED BY THIS COMPANY ONLY, AND IS NOT TO BE SUBMITTED TO OUTSIDE PARTIES FOR EXAMINATION WITHOUT OUR CONSENT.