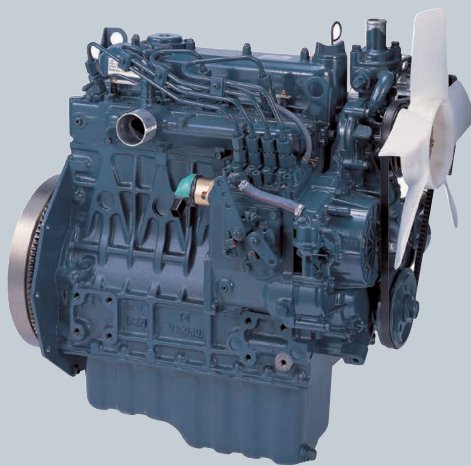
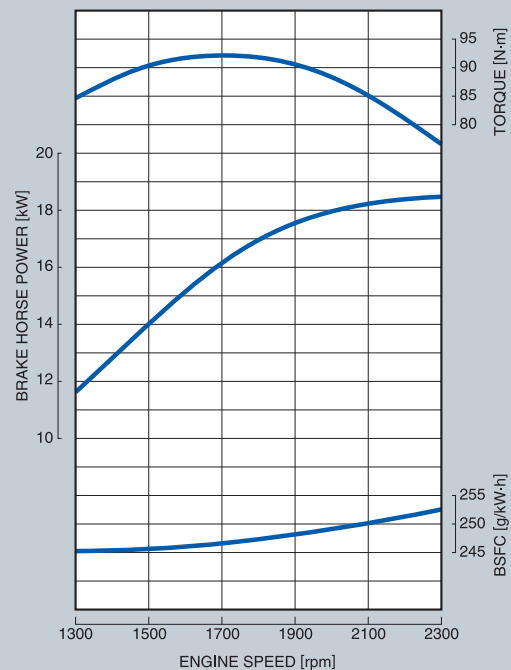


INDUSTRIAL DIESEL ENGINE
KUBOTA 05 SERIES (4-cylinder)

V1505-E4B

RATED POWER
18.5kW @ 2300rpm


Photograph may show non-standard equipment.

PERFORMANCE CURVE

FEATURES and BENEFITS
Emissions

Kubota 05 Series, the compact multi-cylinder liquid cooled industrial diesel engines, complies with EPA Tier 4 emissions regulations. These are most stringent emissions regulations in the world in this class.

Kubota engine less than 19kW meets emission standards over the NRTC and also meets the NTE requirements.

Durable Power

The Kubota 05 Series is an established leader in its horsepower range and has been the preferred power source of various industrial equipment manufactures.

Clean and Quiet Power

Kubota's original E-TVCS(Three Vortex Combustion System) has been further improved for better emissions.

Option

A variety of engine accessory options is also available.

KUBOTA 05 SERIES V1505-E4B

GENERAL SPECIFICATION

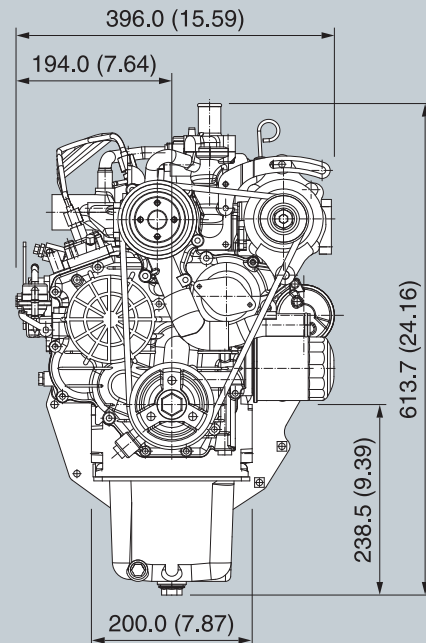
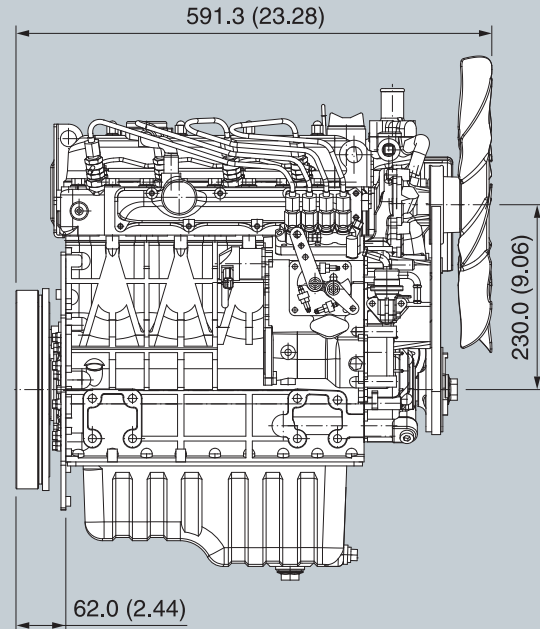
Model		V1505-E4B
Emission Regulation		Tier 4
Type		Vertical 4-cycle Liquid Cooled Diesel
Number of Cylinders		4
Bore	mm (in)	78.0 (3.07)
Stroke	mm (in)	78.4 (3.09)
Displacement	L (cu.in)	1.498 (91.41)
Combustion System		IDI
Intake System		Naturally Aspirated
Maximum Speed	rpm	2300
Output: Gross Intermittent	kW	18.5
	hp	24.8
Direction of Rotation		Counterclockwise Viewed on Flywheel
Oil Pan Capacity	L (gal)	6.0 (1.59)
Starter Capacity	V-kW	12-1.2
Alternator Capacity	V-A	12-40
Length	mm (in)	591.3 (23.28)
Width	mm (in)	396.0 (15.59)
Height (1)	mm (in)	613.7 (24.16)
Height (2)	mm (in)	238.5 (9.39)
Dry Weight	kg (lb)	110.0 (242.5)

*Specification is subject to change without notice.

*Output: Gross Intermittent SAE J1995

*Dry weight is according to Kubota's standard specification.
When specification varies, the weight will vary accordingly.

DIMENSIONS



For Earth, For Life



KUBOTA ENGINE AMERICA
505 Schelter Road Lincolnshire, IL 60069
Phone: 847-955-2500 Fax: 847-955-2501
www.kubotaengine.com

KUBOTA CANADA, LTD
5900 14th Avenue, Markham, Ontario L3S 4K4
Phone: 905-294-7477 Fax: 905-294-1554

4/14/2014 - KEA2287