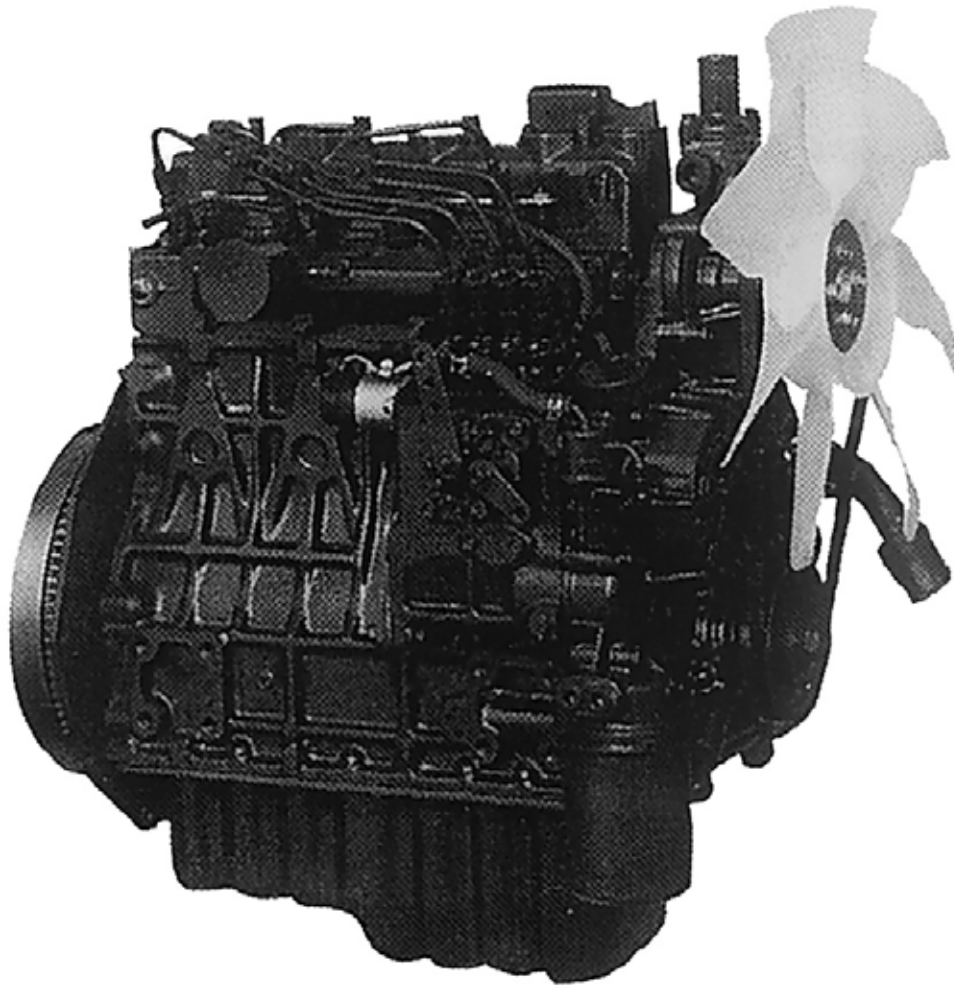


Engine Supplement Catalog

Kubota V1505 DIESEL

(REF: KUBOTA CORPORATION ILLUSTRATED PARTS LIST FOR V1505-E3B-BRK-1, JAN. 2008)



PREFACE

Thank you for your purchase of the now industry standard for sweepers. PowerBoss© takes great pride in offering the most dependable, reliable and best value in industrial power sweepers and sweeper/scrubbers. We set the standard.

Our Customer Service Department would like to hear from you. If you see any errors, omissions or something that needs clarification in this Spare Parts Catalog, please let us know. We are working hard toward continually improving our processes to bring you the best you deserve. Please copy the form below, fill out and comment on how you found our catalog.

Thank you.

*Name _____

*Title: _____

*Company Name: _____

*Address: _____

*Country: _____

Type of equipment or model number: _____

Comments:

*Information is optional.

Please return to:

Customer Service Manager
PowerBoss©/Minuteman International, Inc.
14N845 U.S. Route 20
Pingree Grove, IL 60140 USA

Phone: (800) 323-9420

Email: tech@powerboss.com

PREFACE

Please note this this Supplement Catalog references Kubota Corporation Illustrated Parts List for: **(MODEL V1505-E3B-BRK-1, dated JAN. 2008)**

The following example describes the table/columns/illustrations shown in this Supplement Catalog:

MM#: PowerBoss©/Minuteman International, Inc. part number. (NA - not available)

REF. No.: Item number on the related illustration (usually located on the same page).

Part No.: Kubota Corporation part number. (BLANK - not available)

PART NAME: Part Description in English.

DESCRIPCION: Part Description in Spanish.

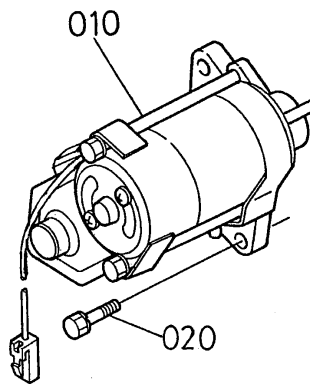
DESIGNATION: Part Description in French.

Q'TY/S No.: Quantity needed to complete the assembly.

I.C.: Interchangeability of parts due to design change.

REMARKS: Applicable model names, dimensions, and other special items.

Example: Table/Illustration



16222-038-10

A: V1505-E3B-BRK-1

| MM# | REF. No. No. DE REF. POS. No. | PART No. No. REF. REFERENCE | PART NAME | DESCRIPCION | DESIGNATION | Q'TY/S. No. CANTIDAD/No. DE Q'TE/No. S. | | I. C. | REMARKS NOTA REMARQUES |
|---------|-------------------------------------|-----------------------------------|--------------|----------------------|----------------|---|---|-------|------------------------------|
| | | | | | | A | B | | |
| 3330402 | 010 | 16235-6301-0 | ASSY STARTER | CONJ. MOTOR ARRANQUE | ENS. DEMARREUR | 1 | - | | 12V 1.4KW |
| 3331931 | 020 | 01123-50830 | BOLT | TORNILLO | VIS | 2 | - | | |

TABLE OF CONTENTS

PREFACE 2

CRANKCASE - 0001 6

OIL PAN - 0002 7

CYLINDER HEAD - 0003 8

GEAR CASE - 0004 9

HEAD COVER - 0005 10

OIL FILTER - 0006 11

DIPSTICK AND GUIDE - 0007 12

MAIN BEARING CASE - 0100 13

CAMSHAFT AND IDLE GEAR SHAFT - 0101 14

PISTON AND CRANKSHAFT - 0102 15

FLYWHEEL - 0103 16

FUEL CAMSHAFT AND GOVERNOR SHAFT - 0105 17

IDLE APPARATUS - 0180 18

STOP SOLENOID - 0201 19

INJECTION PUMP - 0202 20

SPEED CONTROL PLATE - 0205 21

NOZZLE HOLDER AND GLOW PLUG - 0206 22

NOZZLE HOLDER - 0207 23

FORK LEVER (GOVERNOR) - 0212 24

FUEL FILTER - 0300 25

FUEL PUMP (MECHANICAL) - 0301 26

ALTERNATOR AND PULLEY - 0402 27

ALTERNATOR (COMPONENT PARTS) - 0403 28

STARTER - 0404 29

STARTER (COMPONENT PARTS) - 0405 30

OIL SWITCH/THERMOMETER AND PLUG - 0406 31

WATER FLANGE AND THERMOSTAT - 0500 32

WATER PUMP - 0501 33

WATER PIPE - 0503 34

FAN - 0504 35

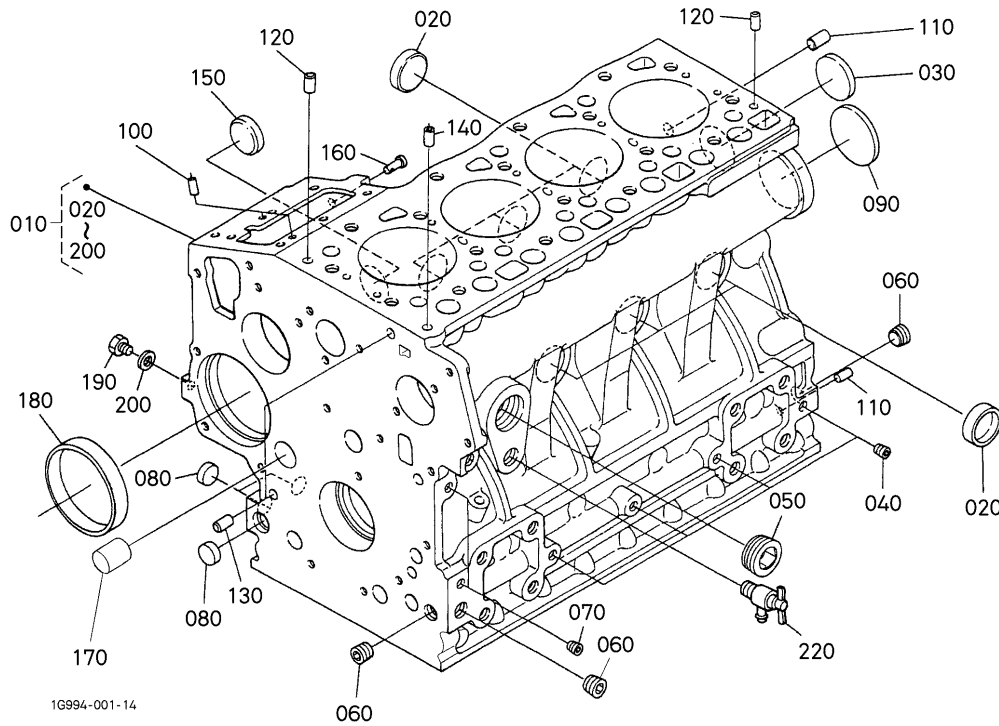
RESERVE TANK - 0505 36

VALVE AND ROCKER ARM - 0600 37

INLET MANIFOLD - 0601 38
EXHAUST MANIFOLD - 0602 39
MUFFLER - 0605 40
LABEL AND OPERATOR'S MANUAL - 0809 41
WARRANTY **42**
NOTES **43**

CRANKCASE - 0001

KUBOTA V1505 DIESEL ENGINE



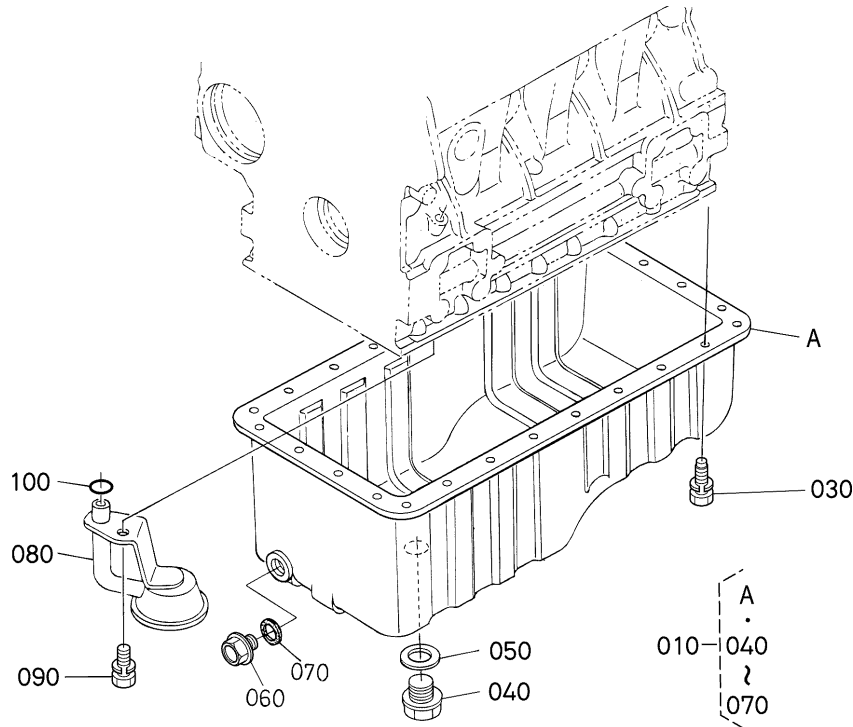
A:V1505-E3B-BRK-1

| MM# | REF. No. No. DE REF. POS. No. | PART No. No. REF. REFERENCE | PART NAME | DESCRIPCION | DESIGNATION | Q' TY/S. No. CANTIDAD/No. DE SERIE Q' TE/No. S. | | I. C. | REMARKS NOTA REMARQUES |
|---------|-------------------------------------|-----------------------------------|---------------------|--------------------|----------------------|---|---|-------|------------------------------|
| | | | | | | A | B | | |
| 3345324 | 010 | 1G698-0101-2 | COMP. CRANKCASE | COMP. BLOQUE MOTOR | BLOC MOTEUR COMPLET | 1 | - | | |
| 3337579 | 020 | 15451-9627-0 | CAP. SEALING | TAPA, SELLADO | PASTILLE | 6 | - | | |
| 3331604 | 030 | 15221-0349-0 | CAP. SEALING | TAPA, SELLADO | PASTILLE | 1 | - | | |
| 3331605 | 040 | 15261-9601-0 | PLUG | TAPON | BOUCHON | 4 | - | | |
| 3345102 | 050 | 16683-9602-0 | PLUG | TAPON | BOUCHON | 1 | - | | |
| 3345103 | 060 | 16241-9601-0 | PLUG | TAPON | BOUCHON | 3 | - | | |
| 3331556 | 070 | 15521-9602-0 | PLUG | TAPON | BOUCHON | 2 | - | | |
| 3331558 | 080 | 17391-9616-0 | PLUG, EXPANSION | TAPON, EXPANSION | BOUCHON EXPANSIBLE | 3 | - | | |
| 3337581 | 090 | 16271-9616-0 | PLUG, EXPANSION | TAPON, EXPANSION | BOUCHON EXPANSIBLE | 1 | - | | |
| 3345325 | 100 | 05012-00508 | PIN, STRAIGHT | PASADOR, RECTO | GOUPILLE CYLINDRIQUE | 2 | - | | |
| 3345104 | 110 | 05012-00814 | PIN, STRAIGHT | PASADOR, RECTO | GOUPILLE CYLINDRIQUE | 2 | - | | |
| 3345105 | 120 | 05012-00610 | PIN, STRAIGHT | PASADOR, RECTO | GOUPILLE CYLINDRIQUE | 2 | - | | |
| 3345106 | 130 | 15231-3396-0 | PIN, PIPE | PASADOR, TUBO | GICLEUR | 2 | - | | |
| 3345107 | 140 | 16241-3365-0 | PIN, PIPE | PASADOR, TUBO | GICLEUR | 1 | - | | |
| 3336927 | 150 | 16241-9626-2 | PLUG | TAPON | BOUCHON | 1 | - | | |
| 3345108 | 160 | 16221-5628-0 | PIN, START SPRING | PASADOR, ARRQ RSRT | GOUPILLE DU RESSORT | 1 | - | | |
| 3345326 | 170 | 16282-9601-0 | PLUG | TAPON | BOUCHON | 1 | - | | |
| 3345327 | 180 | 16271-5535-0 | BUSH, GOVERNOR GEAR | CASQUILLO, RGLDR | BAGUE DE REG. PIGNON | 1 | - | | |
| 3331568 | 190 | 15221-3361-0 | PLUG | TAPON | BOUCHON | 1 | - | | |
| 3331569 | 200 | 15021-3366-0 | GASKET | JUNTA | JOINT | 1 | - | | |
| NA | 210 | ---- | BLANK | POSTIZO | BLANC | - | - | | |
| 3339628 | 220 | 15841-7302-0 | ASSY COCK, DRAIN | CONJ. GRIFO, VCR | ENS. ROBINET VIDANGE | 1 | - | | |

PARTS BREAKDOWN

OIL PAN - 0002

KUBOTA V1505 DIESEL ENGINE



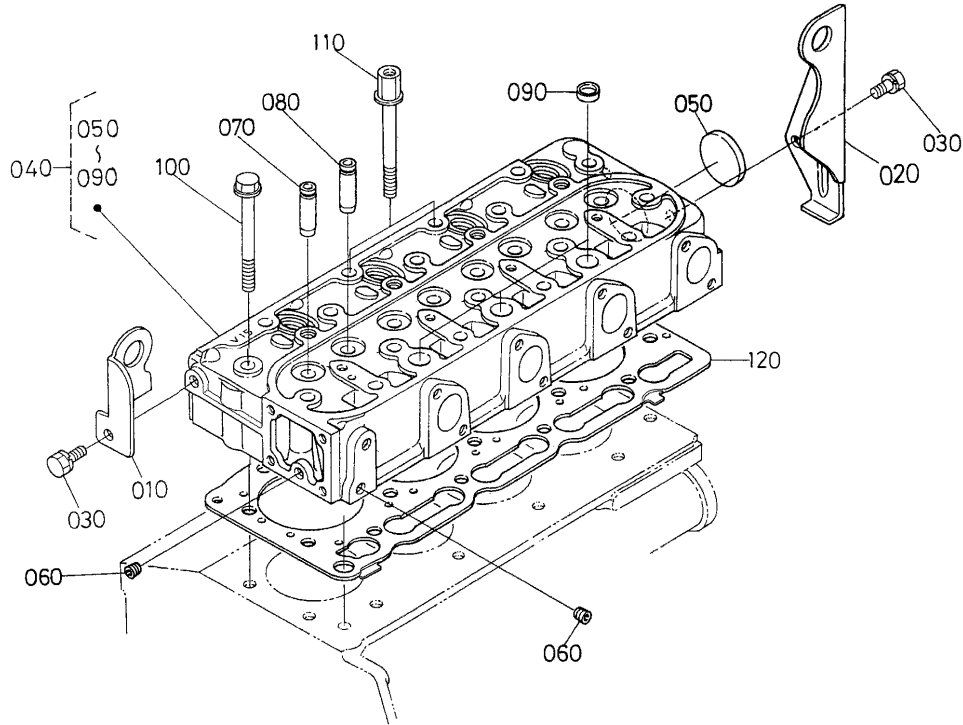
16616-002-17

A: V1505-E3B-BRK-1

| MM# | REF. No. No. DE REF. POS. No. | PART No. No. REF. REFERENCE | PART NAME | DESCRIPCION | DESIGNATION | Q' TY./S. No. CANTIDAD/No. DE SERIE Q' TE/No. S. | | I. C. | REMARKS NOTA REMARQUES |
|---------|-------------------------------------|-----------------------------------|-------------|---------------------|----------------------|--|---|-------|------------------------------|
| | | | | | | A | B | | |
| 3344818 | 010 | 16616-0160-0 | KIT OIL PAN | KIT ACEITE CACEROLA | ENS. CARTER D' HUILE | 1 | - | | |
| NA | 020 | ---- | BLANK | POSTIZO | BLANC | - | - | | |
| 3345328 | 030 | 01023-50614 | BOLT | TORNILLO | VIS | 26 | - | | |
| 3338327 | 040 | 13901-3375-0 | PLUG, DRAIN | TAPON, VACIAR | BOUCHON DE VIDANGE | 1 | - | | |
| 3344822 | 050 | 16265-9667-0 | GASKET | JUNTA | JOINT | 1 | - | | |
| 3344821 | 060 | 16286-3375-0 | PLUG, DRAIN | TAPON, VACIAR | BOUCHON DE VIDANGE | 1 | - | | |
| 3338328 | 070 | 6C090-5896-0 | GASKET | JUNTA | JOINT | 1 | - | | |
| 3345112 | 080 | 16226-3211-4 | FILTER, OIL | FILTRO, ACEITE | FILTRE D' HUILE | 1 | - | | |
| 3331595 | 090 | 01123-60816 | BOLT | TORNILLO | VIS | 1 | - | | |
| 3344823 | 100 | 04814-00160 | O RING | O ARO | JOINT TORIQUE | 1 | - | | |

CYLINDER HEAD - 0003

KUBOTA V1505 DIESEL ENGINE



19008-035-13

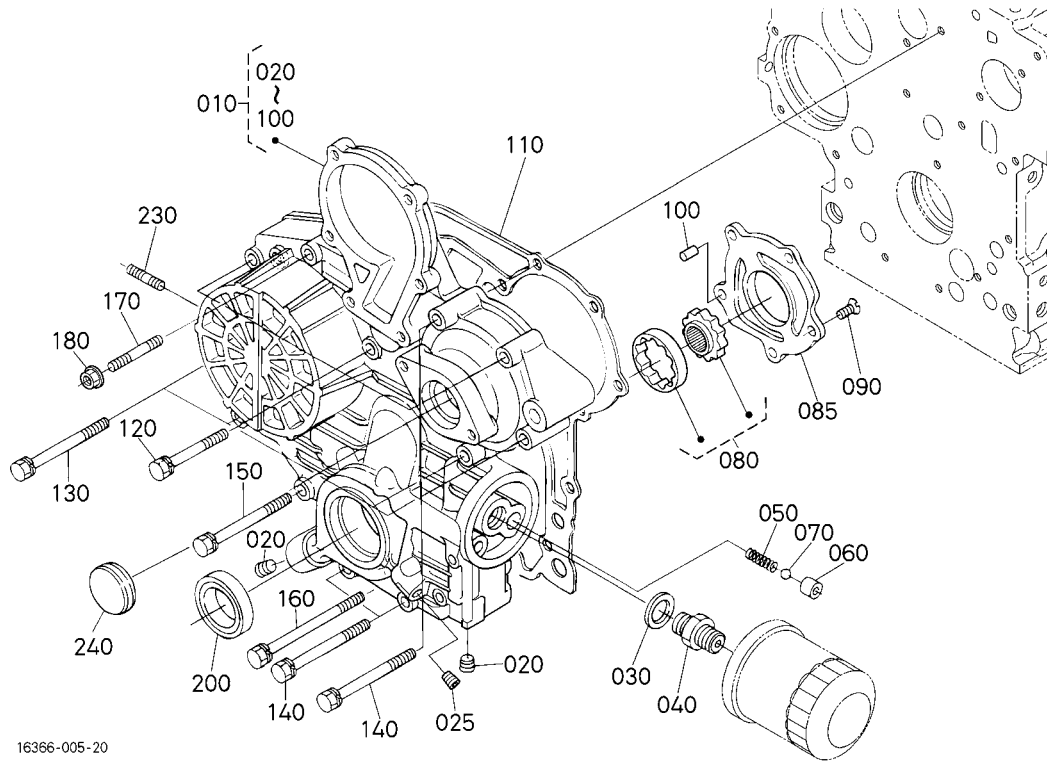
A:V1505-E3B-BRK-1

| MM# | REF. No. No. DE REF POS. No. | PART No. No. REF. REFERENCE | PART NAME | DESCRIPCION | DESIGNATION | Q' TY/S. No. CANTIDAD/No. DE SERIE Q' TE/No. S. | | I. C. | REMARKS NOTA REMARQUES |
|---------|------------------------------------|-----------------------------------|-----------------------|-----------------------|------------------------|---|---|-------|------------------------------|
| | | | | | | A | B | | |
| 3345329 | 010 | 16241-0175-0 | HOOK, ENGINE | GANCHO, MOTOR | ANNEAU DE LEVAGE | 1 | - | | |
| 3345330 | 020 | 16241-0177-0 | HOOK, ENGINE | GANCHO, MOTOR | ANNEAU DE LEVAGE | 1 | - | | |
| 3331589 | 030 | 01123-60814 | BOLT | TORNILLO | VIS | 2 | - | | |
| 3345331 | 040 | 16677-0304-0 | COMP. CYLINDER HEAD | COMP. CILINDRO CLT | CULASSE COMPLET | 1 | - | | |
| 3337587 | 050 | 15321-9626-0 | CAP, SEALING | TAPA, SELLADO | PASTILLE | 1 | - | | |
| 3331605 | 060 | 15261-9601-0 | PLUG | TAPON | BOUCHON | 2 | - | | |
| 3337584 | 070 | 16261-1354-0 | GUIDE, INLET VALVE | GUIA, ENTRADA VALVULA | GUIDE SOUP. D' ADMISS. | 4 | - | | |
| 3337585 | 080 | 16261-1356-0 | GUIDE, EXHAUST VALVE | GUIA, ESCAPE VALVULA | GUIDE SOUP. D' ECHAP. | 4 | - | | |
| 3337723 | 090 | 15261-0337-0 | CAP, SEALING | TAPA, SELLADO | PASTILLE | 3 | - | | |
| 3337583 | 100 | 16241-0345-0 | BOLT, CYLINDER HEAD | TORNILLO, CLNDR CLT | VIS DE CYLINDRE | 14 | - | | |
| 3337586 | 110 | 16271-0345-0 | BOLT, CYLINDER HEAD | TORNILLO, CLNDR CLT | VIS DE CYLINDRE | 4 | - | | |
| 3337588 | 120 | 16394-0331-0 | GASKET, CYLINDER HEAD | JUNTA, CLNDR CLT | JOINT | 1 | - | | |

PARTS BREAKDOWN

GEAR CASE - 0004

KUBOTA V1505 DIESEL ENGINE



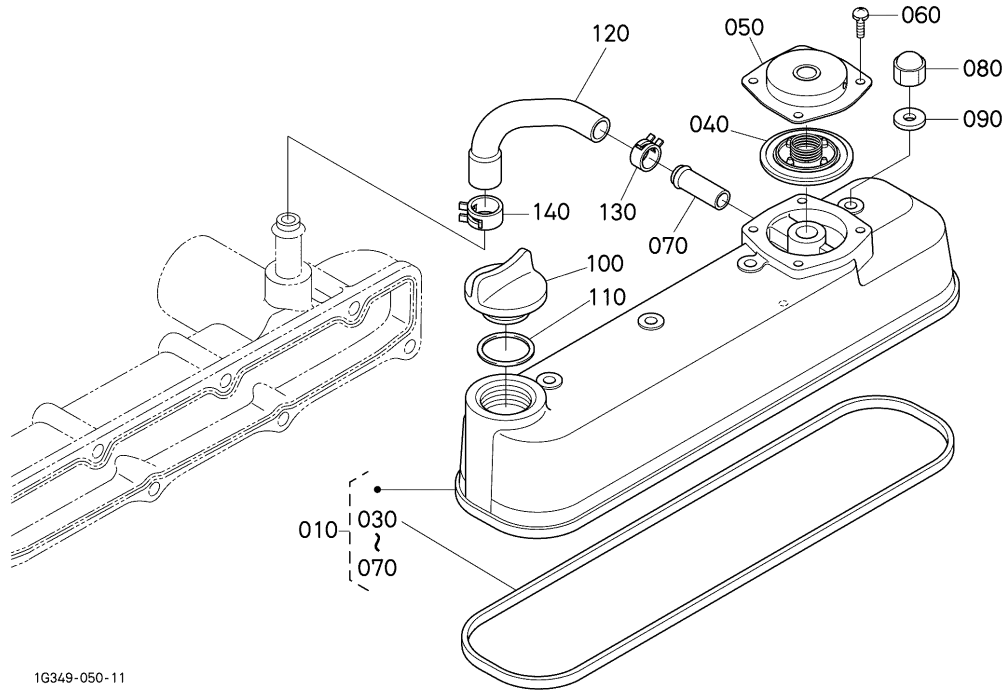
16366-005-20

A: V1505-E3B-BRK-1

| MM# | REF. No. No. DE REF. POS. No. | PART No. No. REF. REFERENCE | PART NAME | DESCRIPCION | DESIGNATION | Q' TY/S. No. CANTIDAD/No. DE SERIE Q' TE/No. S. | | I. C. | REMARKS NOTA REMARQUES |
|---------|-------------------------------------|-----------------------------------|----------------------|-----------------------|----------------------|---|---|-------|------------------------------|
| | | | | | | A | B | | |
| 3345332 | 010 | 16252-0402-2 | COMP. CASE, GEAR | COMP. CAJA, ENGRNJ | CARTER DISTR. COMP. | 1 | - | | |
| 3345333 | 020 | 16241-9602-0 | PLUG | TAPON | BOUCHON | 2 | - | | |
| 3331556 | 025 | 15521-9602-0 | PLUG | TAPON | BOUCHON | 1 | - | | |
| 3331645 | 030 | 04011-50180 | WASHER, PLAIN | ARANDELA, SIMPLE | RONDELLE FREIN | 1 | - | | |
| 3344841 | 040 | 15241-3229-0 | JOINT, PIPE | JUNTA, TUBO | RACCORD DE TUYAU | 1 | - | | |
| 3345122 | 050 | 16241-3695-0 | SPRING | RESORTE | RESSORT | 1 | - | | |
| 3345123 | 060 | 16241-3693-0 | SEAT, VALVE | ASIENTO, VALVULA | SIEGE DE SOUPAPE | 1 | - | | |
| 3345124 | 070 | 07715-00201 | BALL | BOLA | BILLE | 1 | - | | |
| 3345118 | 080 | 16241-3507-0 | ASSY ROTOR, OIL PUMP | CONJ. ROTOR, ACT BMB | ROTOR DE POMPE HUILE | 1 | - | | |
| 3345119 | 085 | 16251-3513-0 | COVER, OIL PUMP | CUBIERTA, ACT BMB | COUV. POMPE A HUILE | 1 | - | | |
| 3345120 | 090 | 03017-50620 | SCREW, CR-REC-BD-HD | TORNILLO, CR-RC-BD-HD | VIS | 5 | - | | |
| 3345121 | 100 | 05012-00410 | PIN, STRAIGHT | PASADOR, RECTO | GOUPILLE CYLINDRIQUE | 2 | - | | |
| 3344831 | 110 | 16264-0413-2 | GASKET, GEAR CASE | JUNTA, ENGRANAJE CAJA | JOINT | 1 | - | | |
| 3345125 | 120 | 01023-50645 | BOLT | TORNILLO | VIS | 3 | - | | |
| 3338349 | 130 | 01023-60650 | BOLT | TORNILLO | VIS | 4 | - | | |
| 3345127 | 140 | 01023-50655 | BOLT | TORNILLO | VIS | 4 | - | | |
| 3345128 | 150 | 01023-50665 | BOLT | TORNILLO | VIS | 1 | - | | |
| 3345129 | 160 | 16241-9104-0 | BOLT | TORNILLO | VIS | 1 | - | | |
| 3345130 | 170 | 16245-9153-0 | STUD | ESPARRAGO | GOUJON | 1 | - | | |
| 3338381 | 180 | 02751-50060 | NUT, FLANGE | TUERCA, BRIDA | ECROU A EMBASE | 1 | - | | |
| NA | 190 | ---- | BLANK | POSTIZO | BLANC | - | - | | |
| 3337571 | 200 | 16241-0421-2 | SEAL, OIL | RETEN DE ACEITE | BAGUE JOINT | 1 | - | | |
| NA | 210 | ---- | BLANK | POSTIZO | BLANC | - | - | | |
| NA | 220 | ---- | BLANK | POSTIZO | BLANC | - | - | | |
| 3345131 | 230 | 16245-9154-0 | STUD | ESPARRAGO | GOUJON | 2 | - | | |
| 3345133 | 240 | 16264-8334-2 | COVER, GEAR CASE | CUBIERTA, ENGRNJ CJ | COUV. CARTER DISTRIB | 1 | - | | |

HEAD COVER - 0005

KUBOTA V1505 DIESEL ENGINE



1G349-050-11

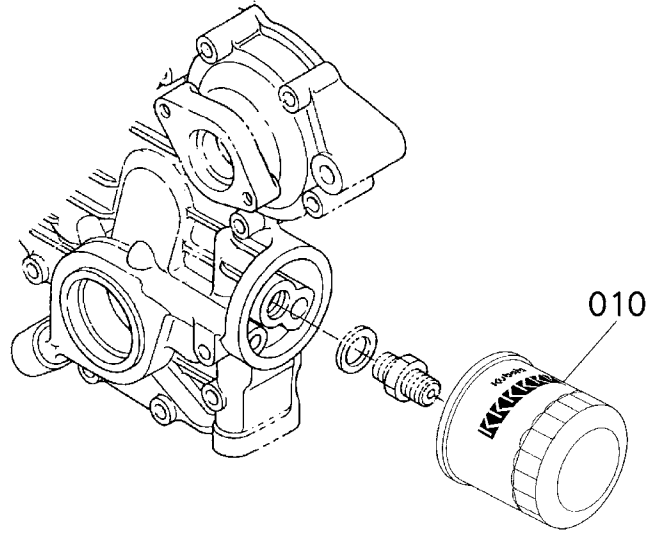
A:V1505-E3B-BRK-1

| MM# | REF. No. No. DE REF. POS. No. | PART No. No. REF. REFERENCE | PART NAME | DESCRIPCION | DESIGNATION | Q' TY/S. No. CANTIDAD/No. DE SERIE Q' TE/No. S. | | I. C. | REMARKS NOTA REMARQUES |
|---------|-------------------------------------|-----------------------------------|-----------------------|-----------------------|-----------------------|---|---|-------|------------------------------|
| | | | | | | A | B | | |
| 3336910 | 010 | 1G072-1450-6 | ASSY COVER, CYL. HEAD | CUBIERTA PRINCIPAL | ENS. COUVERCLE | 1 | - | | |
| NA | 020 | ---- | BLANK | POSTIZO | BLANC | - | - | | |
| 3334278 | 030 | 16241-1452-0 | GASKET, HEAD COVER | JUNTA, CLT CBRT | JOINT COUVRE-CULASSE | 1 | - | | |
| 3334288 | 040 | 1G911-0520-3 | COMP. VALVE, BREATHER | COMP. VALVULA, RSPRDR | ENS. ROBINET DE REIN. | 1 | - | | |
| 3334287 | 050 | 1G801-0512-0 | COVER, BREATHER | CUBIERTA, RESPIRADERO | COUVERCLE ASPIRATEUR | 1 | - | | |
| 3338344 | 060 | 03024-50510 | SCREW, WITH WASHER | TORNILLO, CN ARNDL | VIS | 4 | - | | |
| 3332027 | 070 | 17331-7334-2 | PIPE, WATER RETURN | TUBO, AGUA DEVOLVER | TUYAU RETOUR D'EAU | 1 | - | | |
| 3336916 | 080 | 15952-9233-0 | NUT | TUERCA | ECROU | 4 | - | | |
| 3337572 | 090 | 15951-9666-0 | GASKET | JUNTA | JOINT | 4 | - | | |
| 3337711 | 100 | E9151-3314-0 | PLUG, OIL FILLER | TAPON, ACT TPPRS | BOUCHON, REMPLIS. H/L | 1 | - | | |
| 3337710 | 110 | 04814-50300 | O RING | O ARO | JOINT TORIQUE | 1 | - | | |
| 3337576 | 120 | 1G032-0551-0 | TUBE, BREATHER | TUBO, RESPIRADERO | TUYAU DE REINFLARD | 1 | - | | |
| 3345334 | 130 | 09318-88150 | CLAMP, HOSE | ABRAZADERA, MANGUITO | COLLIER DE DURITE | 1 | - | | |
| 3345335 | 140 | 16259-0558-0 | CLAMP, HOSE | ABRAZADERA, MANGUITO | COLLIER DE DURITE | 1 | - | | |

PARTS BREAKDOWN

OIL FILTER - 0006

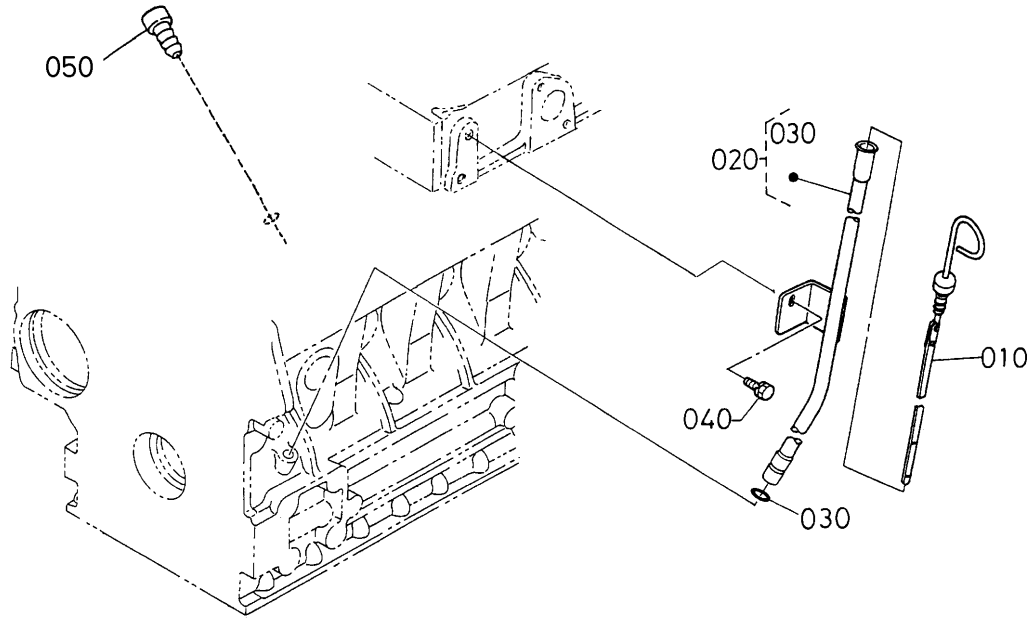
KUBOTA V1505 DIESEL ENGINE



16615-003-12

A: V1505-E3B-BRK-1

| MM# | REF. No. No. DE REF. POS. No. | PART No. No. REF. REFERENCE | PART NAME | DESCRIPCION | DESIGNATION | Q' TY/S. No. CANTIDAD/No. DE SERIE | | I. C. | REMARKS NOTA REMARQUES |
|---------|-------------------------------------|-----------------------------------|----------------------|---------------------|---------------------|---------------------------------------|---|-------|------------------------------|
| | | | | | | A | B | | |
| 3344840 | 010 | HH160-3209-3 | CARTRIDGE OIL FILTER | CONJ. CARTUCHO, ACT | CARTOUCHE FILTRANTE | 1 | - | | |



16615-004-14

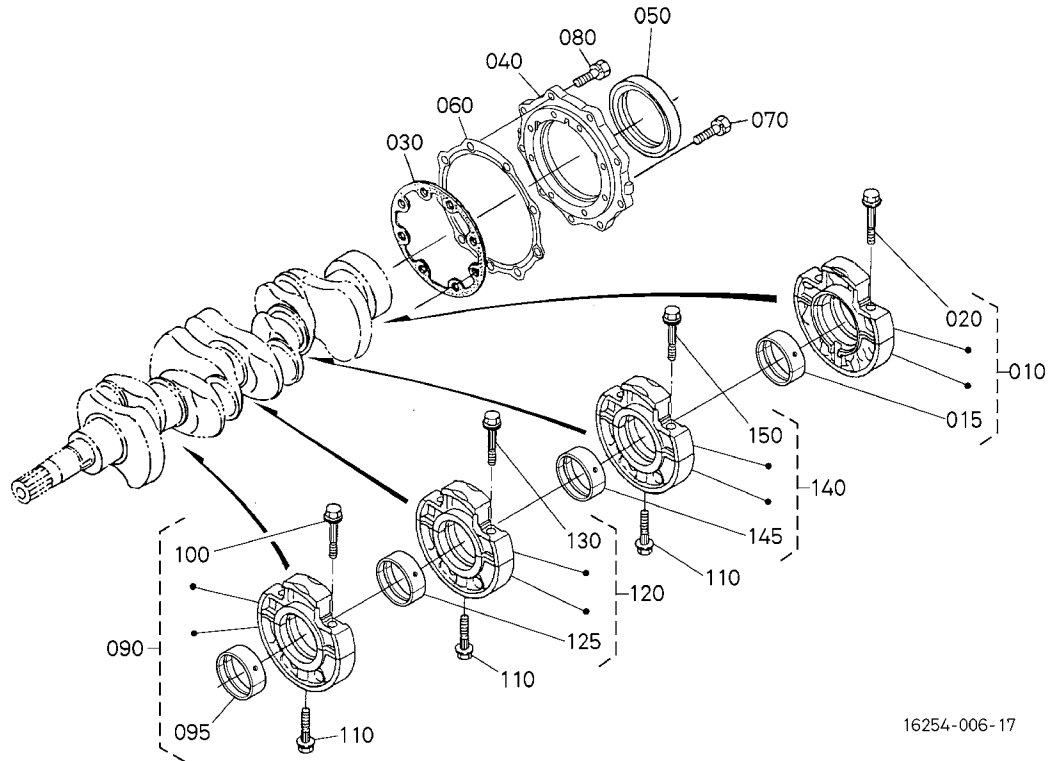
A:V1505-E3B-BRK-1

| MM# | REF. No. No. DE REF. POS. No. | PART No. No. REF. REFERENCE | PART NAME | DESCRIPCION | DESIGNATION | Q' TY./S. No. CANTIDAD/No. DE SERIE Q' TE/No. S. | | I. C. | REMARKS NOTA REMARQUES |
|---------|-------------------------------------|-----------------------------------|-----------------------|-----------------------|---------------------|--|---|-------|------------------------------|
| | | | | | | A | B | | |
| 3344842 | 010 | 16611-3641-3 | GAUGE, OIL | MEDIDOR, ACEITE | JAUGE D' HUILE | 1 | - | | |
| 3344843 | 020 | 16282-3650-0 | ASSY GUIDE, OIL GAUGE | CONJ. GUIA, ACT MDDR | ENS. JAUGE ET GUIDE | 1 | - | | |
| 3345141 | 030 | 04814-00090 | O RING | O ARO | JOINT TORIQUE | 1 | - | | |
| 3331595 | 040 | 01123-60814 | BOLT | TORNILLO | VIS | 1 | - | | |
| 3336926 | 050 | 16513-3655-0 | PLUG, OIL GAUGE | TAPON, ACEITE MEDIDOR | BOUCHON DE JAUGE | 1 | - | | |

PARTS BREAKDOWN

MAIN BEARING CASE - 0100

KUBOTA V1505 DIESEL ENGINE



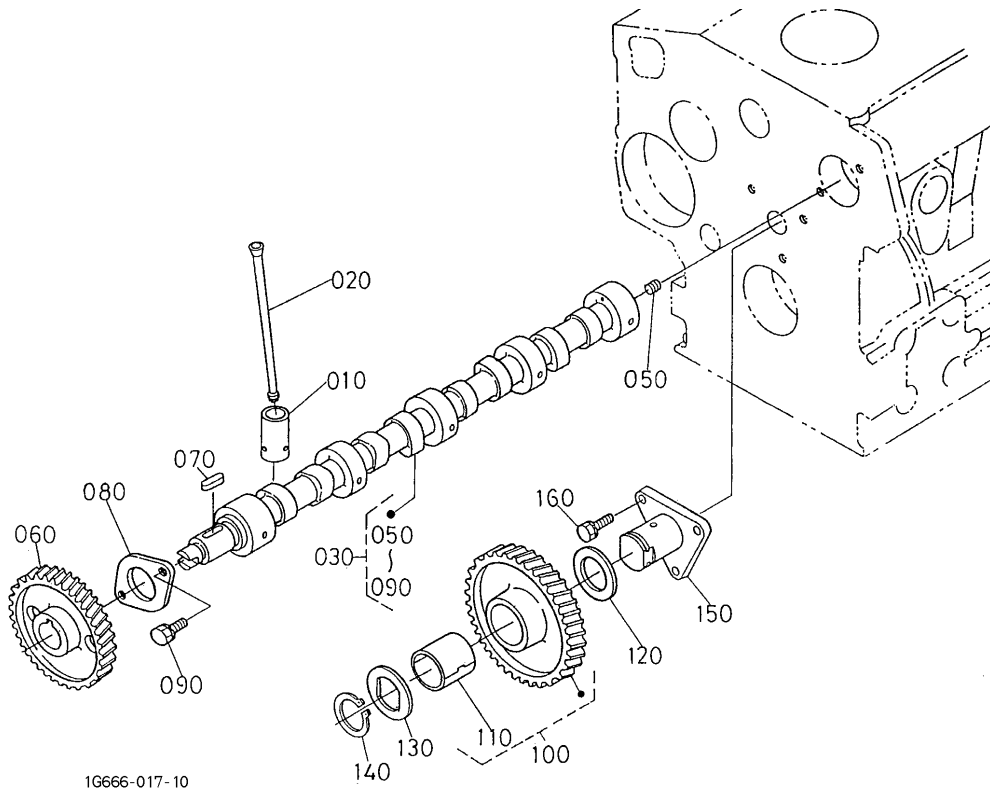
16254-006-17

A:V1505-E3B-BRK-1

| MM# | REF. No. No. DE REF. POS. No. | PART No. No. REF. REFERENCE | PART NAME | DESCRIPCION | DESIGNATION | Q' TY/S. No. CANTIDAD/No. DE SERIE Q' TE/No. S. | | I. C. | REMARKS NOTA REMARQUES |
|---------|-------------------------------------|-----------------------------------|-----------------------|----------------------|-----------------------|---|---|-------|------------------------------|
| | | | | | | A | B | | |
| 3344844 | 010 | 16292-0709-5 | ASSY BRG. CASE, WHEEL | CONJ. PUENTE CJ, RD | ENS. PALIER VILEBREQ. | 1 | - | | |
| 3337607 | 015 | 16292-2349-4 | METAL, CRANKSHAFT | METAL, CIGUENAL | COUSSINET DE VILEBR. | 1 | - | | STD SET |
| 3337594 | 020 | 16241-0454-0 | BOLT, BEARING CASE | TORNILLO, RDMNT CJ | VIS | 2 | - | | |
| 3345336 | 030 | 16264-0436-0 | GASKET, BRG. CASE | JUNTA, PUENTE CAJA | JOINT | 1 | - | | |
| 3345143 | 040 | 16241-0481-5 | COVER, BEARING CASE | CUBIERTA, RDMNT CJ | PORTE JOINT | 1 | - | | |
| 3337589 | 050 | 16285-0446-0 | SEAL, OIL | RETEN DE ACEITE | BAGUE JOINT | 1 | - | | |
| 3345144 | 060 | 16264-0482-2 | GASKET, CASE COVER | JUNTA, CAJA CUBIERTA | JOINT DE CARTER FOU | 1 | - | | |
| 3345299 | 070 | 01023-50625 | BOLT | TORNILLO | VIS | 8 | - | | |
| 3331652 | 080 | 01023-50620 | BOLT | TORNILLO | VIS | 9 | - | | |
| 3337593 | 090 | 16261-0704-5 | ASSY BRG. CASE, MAIN | CONJ. PUENTE | ENS. PALIER VILEBREQ. | 1 | - | | |
| 3337610 | 095 | 16241-2348-0 | METAL, CRANKSHAFT | METAL, CIGUENAL | COUSSINET DE VILEBR. | 1 | - | | STD SET |
| 3337594 | 100 | 16241-0454-0 | BOLT, BEARING CASE | TORNILLO, RDMNT CJ | VIS | 2 | - | | |
| 3337595 | 110 | 16241-0456-0 | BOLT, BEARING CASE | TORNILLO, RDMNT CJ | VIS | 3 | - | | |
| 3337592 | 120 | 16261-0705-5 | ASSY BRG. CASE, MAIN | CONJ. PUENTE | ENS. PALIER VILEBREQ. | 1 | - | | |
| 3337610 | 125 | 16241-2348-0 | METAL, CRANKSHAFT | METAL, CIGUENAL | COUSSINET DE VILEBR. | 1 | - | | STD SET |
| 3337594 | 130 | 16241-0454-0 | BOLT, BEARING CASE | TORNILLO, RDMNT CJ | VIS | 2 | - | | |
| 3337591 | 140 | 16282-0706-5 | ASSY BRG. CASE, MAIN | CONJ. PUENTE | ENS. PALIER VILEBREQ. | 1 | - | | |
| 3337610 | 145 | 16241-2348-0 | METAL, CRANKSHAFT | METAL, CIGUENAL | COUSSINET DE VILEBR. | 1 | - | | STD SET |
| 3337594 | 150 | 16241-0454-0 | BOLT, BEARING CASE | TORNILLO, RDMNT CJ | VIS | 2 | - | | |

CAMSHAFT AND IDLE GEAR SHAFT - 0101

KUBOTA V1505 DIESEL ENGINE



1G666-017-10

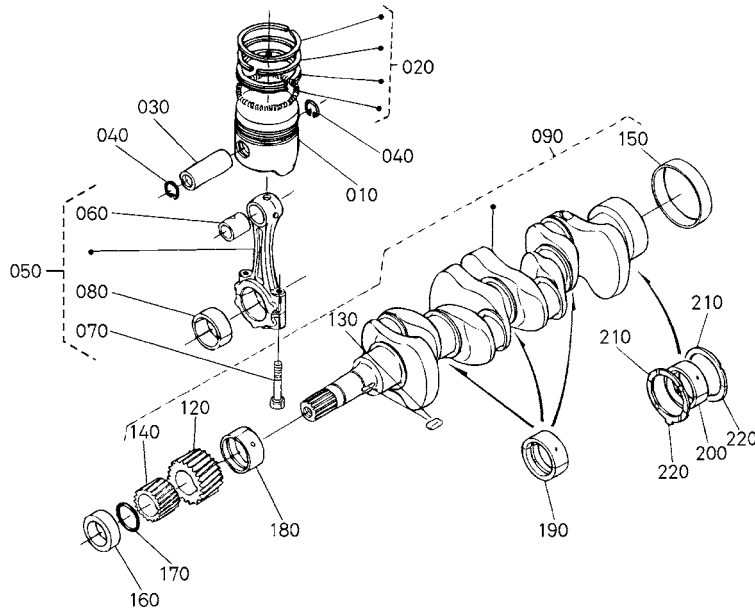
A:V1505-E3B-BRK-1

| MM# | REF. No. No. DE REF. POS. No. | PART No. No. REF. REFERENCE | PART NAME | DESCRIPCION | DESIGNATION | Q' TY/S. No. CANTIDAD/No. DE SERIE Q' TE/No. S. | | I. C. | REMARKS NOTA REMARQUES |
|---------|-------------------------------------|-----------------------------------|---------------------|-----------------------|----------------------|---|---|-------|------------------------------|
| | | | | | | A | B | | |
| 3337597 | 010 | 1G673-1555-0 | TAPPET | EMPUJADOR | POUSSOIR | 8 | - | | |
| 3337598 | 020 | 16241-1511-0 | PUSH ROD | EMPUJAR VARILLA | TIGE DE POUSSOIR | 8 | - | | |
| 3337599 | 030 | 16271-1691-0 | ASSY CAMSHAFT | CONJ. ARBOL DE LEVAS | ENS. ARBRE A CAMES | 1 | - | | |
| NA | 040 | ---- | BLANK | POSTIZO | BLANC | - | - | | |
| 3331517 | 050 | 15521-9361-0 | SCREW, SET | TORNILLO, JUEGO | VIS D' ARRET | 1 | - | | |
| 3337596 | 060 | 16241-1651-0 | GEAR, CAM | ENGRANAJE, LEVA | PIGNON | 1 | - | | |
| 3345150 | 070 | 05712-00518 | KEY, FEATHER | LLAVE, PLUMA | CLAVETTE | 1 | - | | |
| 3344850 | 080 | 16241-1627-0 | STOPPER, CAMSHAFT | TAPON, ARBOL DE LEVAS | BOUCHON ARBRE A CAME | 1 | - | | |
| 3331926 | 090 | 01023-50616 | BOLT | TORNILLO | VIS | 2 | - | | |
| 3337600 | 100 | 16271-2401-0 | COMP GEAR, IDLE | COMP. ENGRANAJE | PIGNON. COMP | 1 | - | | |
| 3345337 | 110 | 16271-2498-0 | BUSH, IDLE GEAR | CASQUILLO, PNT | BAGUE DU PIGNON | 1 | - | | |
| 3345152 | 120 | 16241-2436-0 | COLLAR, IDLE GEAR | COLLARIN, PNT | COLLIER DE PIGNONF. | 1 | - | | |
| 3345153 | 130 | 16241-2437-0 | COLLAR, IDLE GEAR | COLLARIN, PNT | COLLIER DE PIGNONF. | 1 | - | | |
| 3345154 | 140 | 16241-2432-0 | CIR CLIP, IDLE GEAR | ANILLO | CIRCLIP | 1 | - | | |
| 3345155 | 150 | 16241-2425-0 | SHAFT, IDLE GEAR | EJE, PNT MRT ENGRNJ | ARBRE DE PIGNON FOU | 1 | - | | |
| 3331926 | 160 | 01023-50616 | BOLT | TORNILLO | VIS | 3 | - | | |

PARTS BREAKDOWN

PISTON AND CRANKSHAFT - 0102

KUBOTA V1505 DIESEL ENGINE



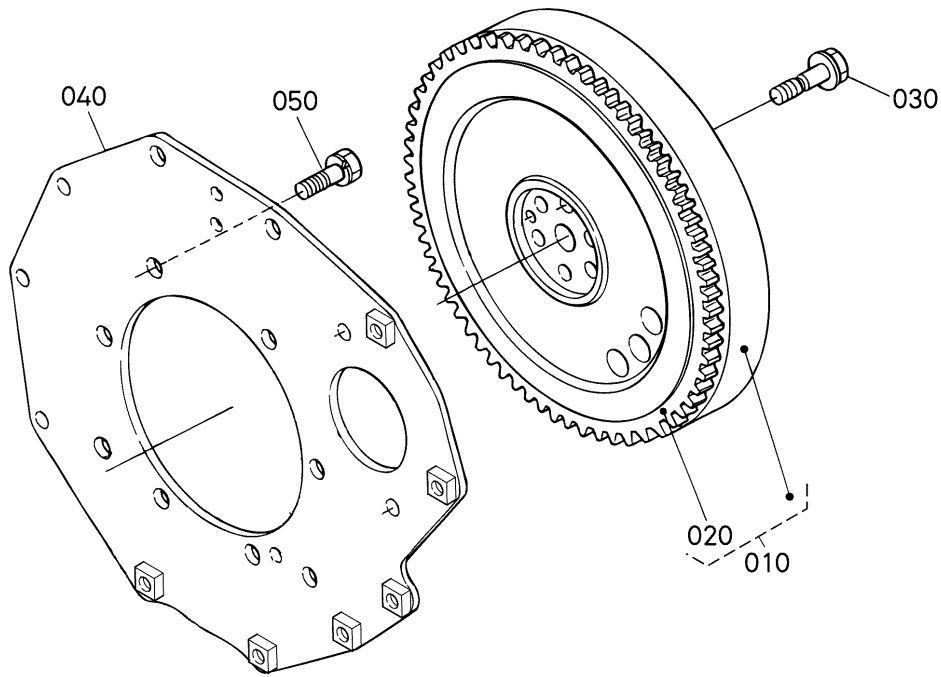
17208-001-28

A: V1505-E3B-BRK-1

| MM# | REF. No. No. DE REF. POS. No. | PART No. No. REF. REFERENCE | PART NAME | DESCRIPCION | DESIGNATION | QTY./S. No. CANTIDAD/No. DE SERIE | | I. C. | REMARKS NOTA REMARQUES |
|---------|-------------------------------------|-----------------------------------|----------------------|-----------------------|-----------------------|--------------------------------------|---|-------|------------------------------|
| | | | | | | A | B | | |
| 3337603 | 010 | 16060-2111-4 | PISTON | PISTON | PISTON | 4 | - | | STD |
| 3337604 | 010 | 16060-2191-4 | PISTON | PISTON | PISTON | 4 | - | | +0.50mm |
| 3337601 | 020 | 16292-2105-0 | ASSY PISTON RING | CONJUNTO PISTON ARO | ENS. SEGMENT | 4 | - | | STD |
| 3337602 | 020 | 16292-2109-0 | ASSY PISTON RING | CONJUNTO PISTON ARO | ENS. SEGMENT | 4 | - | | +0.50mm |
| 3345159 | 030 | 16241-2131-0 | PIN, PISTON | PASADOR, PISTON | AXE DE PISTON | 4 | - | | |
| 3345160 | 040 | 16241-2133-0 | CIR CLIP, PISTON PIN | ANILLO | CIRCLIP | 8 | - | | |
| 3337605 | 050 | 1G700-2201-0 | ASSY ROD, CONNECTING | CONJ. VARILLA, CNCTND | ENS. BIELLE | 4 | - | | |
| 3345161 | 060 | 1G700-2198-0 | BUSH, PISTON PIN | CASQUILLO, PSTN PSDR | BAGUE DE BIELLE | 4 | - | | |
| 3345162 | 070 | 16241-2214-2 | BOLT, CONNECTING ROD | TORNILLO, CNCTND VRL | VIS DE BIELLE | 8 | - | | |
| 3345338 | 080 | 16241-2231-0 | METAL, CRANKPIN | METAL, MUNEQUILLA | COUSSINET DE BIELLE | 4 | - | | STD SET |
| 3345339 | 080 | 16241-2297-0 | METAL, CRANKPIN | METAL, MUNEQUILLA | COUSSINET DE BIELLE | 4 | - | | -0.20mm SET |
| 3345340 | 080 | 16241-2298-0 | METAL, CRANKPIN | METAL, MUNEQUILLA | COUSSINET DE BIELLE | 4 | - | | -0.40mm SET |
| 3337606 | 090 | 16282-2301-3 | COMP. CRANKSHAFT | COMPLETO CIGUENAL | VILEBREQUIN COMPLET | 1 | - | | |
| NA | 100 | --- | BLANK | POSTIZO | BLANC | - | - | | |
| NA | 110 | --- | BLANK | POSTIZO | BLANC | - | - | | |
| 3345341 | 120 | 16241-2411-0 | GEAR, CRANK | ENGRANAJE, GIRAR | PIGNON | 1 | - | | |
| 3345167 | 130 | 16271-9523-0 | KEY | LLAVE | CLAVETTE | 1 | - | | |
| 3345342 | 140 | 16241-3563-0 | GEAR, OIL PUMP DRIVE | ENGRANAJE, ACT | PIGNON ENTRAIN, POMPE | 1 | - | | |
| 3345169 | 150 | 16241-2328-0 | SLEEVE, CRANKSHAFT | CASQUILLO, CIGUENAL | FRETTE ARRIERE | 1 | - | | |
| 3345343 | 160 | 16241-2325-0 | COLLAR, CRANKSHAFT | COLLARIN, CIGUENAL | COLLIER VILEBREQUIN | 1 | - | | |
| 3345171 | 170 | 04814-10280 | RING | ARO | BAGUE | 1 | - | | |
| 3337613 | 180 | 16241-2347-0 | METAL, CRANKSHAFT | METAL, CIGUENAL | COUSSINET DE VILEBR. | 1 | - | | STD |
| 3337614 | 180 | 16241-2391-0 | METAL, CRANKSHAFT | METAL, CIGUENAL | COUSSINET DE VILEBR. | 1 | - | | -0.20mm |
| 3337615 | 180 | 16241-2392-0 | METAL, CRANKSHAFT | METAL, CIGUENAL | COUSSINET DE VILEBR. | 1 | - | | -0.40mm |
| 3337610 | 190 | 16241-2348-0 | METAL, CRANKSHAFT | METAL, CIGUENAL | COUSSINET DE VILEBR. | 3 | - | | STD SET |
| 3337611 | 190 | 16241-2393-0 | METAL, CRANKSHAFT | METAL, CIGUENAL | COUSSINET DE VILEBR. | 3 | - | | -0.20mm SET |
| 3337612 | 190 | 16241-2394-0 | METAL, CRANKSHAFT | METAL, CIGUENAL | COUSSINET DE VILEBR. | 3 | - | | -0.40mm SET |
| 3337607 | 200 | 16292-2349-4 | METAL, CRANKSHAFT | METAL, CIGUENAL | COUSSINET DE VILEBR. | 1 | - | | STD SET |
| 3337608 | 200 | 16292-2386-4 | METAL, CRANKSHAFT | METAL, CIGUENAL | COUSSINET DE VILEBR. | 1 | - | | -0.20mm SET |
| 3337609 | 200 | 16292-2387-4 | METAL, CRANKSHAFT | METAL, CIGUENAL | COUSSINET DE VILEBR. | 1 | - | | -0.40mm SET |
| 3331707 | 210 | 15521-2353-0 | METAL, SIDE | METAL, LADO | COUSSINET DE LATERAL | 2 | - | | STD |
| 3345344 | 210 | 15521-2395-0 | METAL, SIDE | METAL, LADO | COUSSINET DE LATERAL | 2 | - | | +0.20mm |
| 3345345 | 210 | 15521-2396-0 | METAL, SIDE | METAL, LADO | COUSSINET DE LATERAL | 2 | - | | +0.40mm |
| 3331710 | 220 | 19202-2354-0 | METAL, SIDE | METAL, LADO | COUSSINET DE LATERAL | 2 | - | | STD |
| 3331711 | 220 | 19202-2397-0 | METAL, SIDE | METAL, LADO | COUSSINET DE LATERAL | 2 | - | | +0.20mm |
| 3331712 | 220 | 19202-2398-0 | METAL, SIDE | METAL, LADO | COUSSINET DE LATERAL | 2 | - | | +0.40mm |

FLYWHEEL - 0103

KUBOTA V1505 DIESEL ENGINE



16615-009-12

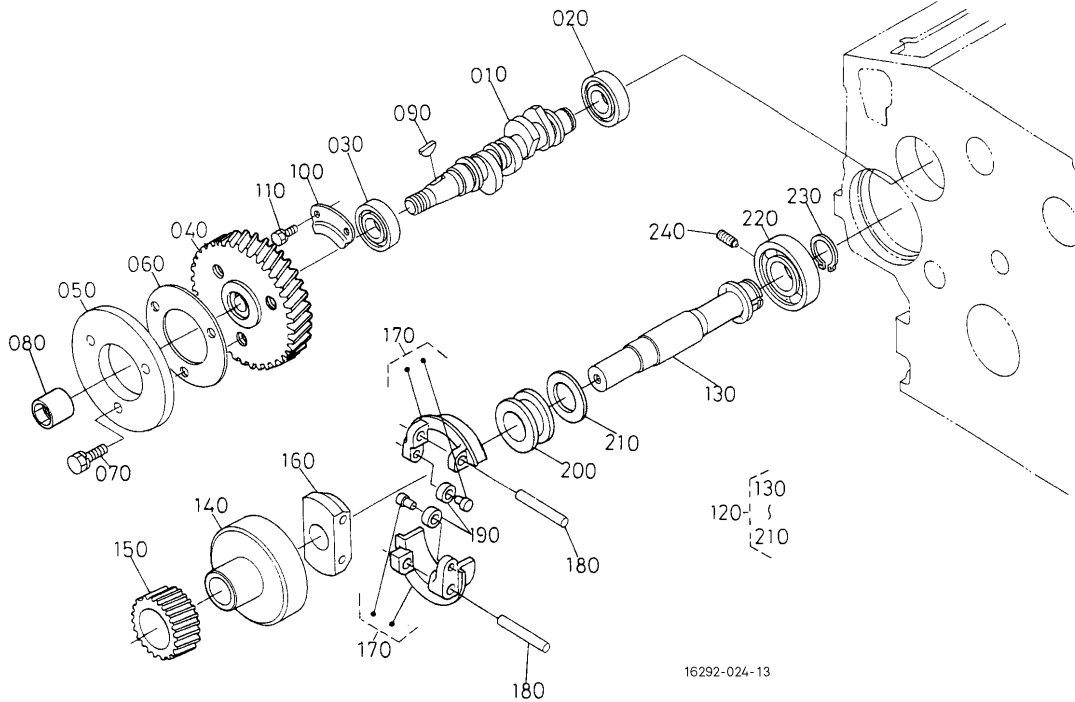
A:V1505-E3B-BRK-1

| MM# | REF. No. No. DE REF. POS. No. | PART No. No. REF. REFERENCE | PART NAME | DESCRIPCION | DESIGNATION | Q' TY/S. No. CANTIDAD/No. DE SERIE Q' TE/No. S. | | I. C. | REMARKS NOTA REMARQUES |
|---------|-------------------------------------|-----------------------------------|-----------------|--------------------|----------------------|---|---|-------|------------------------------|
| | | | | | | A | B | | |
| 3336935 | 010 | 16614-2501-2 | COMP. FLYWHEEL | COMPLETO VOLANTE | VOLANT MOTEUR COMP. | 1 | - | | |
| 3345183 | 020 | 1G081-6382-0 | GEAR RING | ENGRANAJE, ARO | COURONNE DE DEMARRE. | 1 | - | | |
| 3336938 | 030 | 16241-2516-0 | BOLT, FLYWHEEL | TORNILLO, VOLANTE | VIS DE VOLANT | 6 | - | | |
| 3336917 | 040 | 16241-0462-0 | PLATE, REAR END | PLACA, TRASERO FIN | PLAQUE ARRIERE-TRAIN | 1 | - | | |
| 3345185 | 050 | 15261-9119-0 | BOLT | TORNILLO | VIS | 8 | - | | |

PARTS BREAKDOWN

FUEL CAMSHAFT AND GOVERNOR SHAFT - 0105

KUBOTA V1505 DIESEL ENGINE



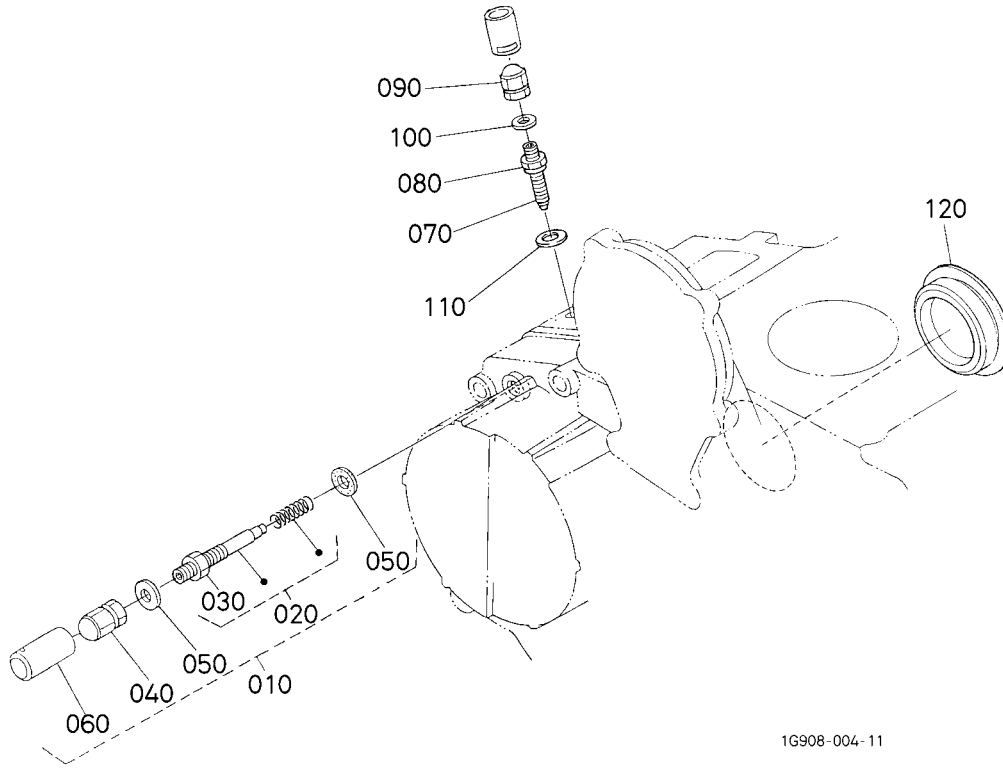
16292-024-13

A:V1505-E3B-BRK-1

| MM# | REF. No. No. DE REF. POS. No. | PART No. No. REF. REFERENCE | PART NAME | DESCRIPCION | DESIGNATION | Q' TY/S. No. CANTIDAD/No. DE SERIE | | I. C. | REMARKS NOTA REMARQUES |
|---------|-------------------------------------|-----------------------------------|------------------------|-----------------------|------------------------|---------------------------------------|---|-------|------------------------------|
| | | | | | | A | B | | |
| 3345346 | 010 | 16040-1617-0 | CAMSHAFT, FUEL | ARBOL LEVAS, CMBSTBL | ARBRE A CAMES | 1 | - | | |
| 3345347 | 020 | 16261-9730-0 | BEARING, BALL | RODAMIENTO | ROULEMENT A BILLES | 1 | - | | |
| 3345348 | 030 | 16261-9731-0 | BEARING, BALL | RODAMIENTO | ROULEMENT A BILLES | 1 | - | | |
| 3345349 | 040 | 1G065-5115-0 | GEAR, INJECTION PUMP | ENGRANAJE, INYCCN BMB | ENGRE. POMPE D' INJEC. | 1 | - | | |
| 3345350 | 050 | 16241-5111-3 | CAM, FUEL | LEVA, COMBUSTIBLE | CAME DE CARBURANT | 1 | - | | |
| 3345351 | 060 | 16241-5119-0 | WASHER | ARANDELA | RONDELLE | 1 | - | | |
| 3331776 | 070 | 01023-50618 | BOLT | TORNILLO | VIS | 3 | - | | |
| 3345352 | 080 | 16241-9233-0 | NUT | TUERCA | ECROU | 1 | - | | |
| 3345353 | 090 | 16241-9523-0 | KEY, WOODRUFF | LLAVE, ASPERILLA | CLAVETTE WOODRUFF | 1 | - | | |
| 3345354 | 100 | 16241-1632-0 | STOPPER, FUEL. C/SHAFT | TAPON, CMBSTBL LV/EJ | BOUCHON | 1 | - | | |
| 3331926 | 110 | 01023-50616 | BOLT | TORNILLO | VIS | 2 | - | | |
| 3345355 | 120 | 16282-5501-3 | ASSY SHAFT, GOVERNOR | CONJ. EJE, RGLDR | ENS. ARBRE REGULATE. | 1 | - | | |
| 3345356 | 130 | 16271-5531-3 | SHAFT, GOVERNOR | EJE, REGULADOR | ARBRE DE REGULATEUR | 1 | - | | |
| 3345357 | 140 | 16241-5539-2 | HOLDER, GOVERNOR GEAR | SOPORTE, RGLDR ENGRNJ | SUPPORT REGUL-PIGNON | 1 | - | | |
| 3345358 | 150 | 16282-5532-0 | GEAR, GOVERNOR | ENGRANAJE, REGULADOR | ENGRENAGE DE REGULAT | 1 | - | | |
| 3345359 | 160 | 16241-5527-0 | HOLDER, GOV. WEIGHT | SOPORTE, RGLDR PS | SUPPORT POIDS REGUL. | 1 | - | | |
| 3345360 | 170 | 16241-5506-2 | COMP. WEIGHT, GOVERNOR | COMP. PESO, RGLDR | POIDS COMP. REGUL. | 2 | - | | |
| 3345361 | 180 | 16241-5526-0 | SHAFT, GOV. WEIGHT | EJE, REGULADOR PESO | ARBRE DE POIDS REG. | 2 | - | | |
| 3345362 | 190 | 19484-5544-0 | ROLLER | RODILLO | ROULEAU | 2 | - | | |
| 3345363 | 200 | 16241-5545-0 | SLEEVE, GOVERNOR | CASQUILLO, REGULADOR | BAGUE DE REGULATEUR | 1 | - | | |
| 3345364 | 210 | 16241-5546-3 | WASHER, THRUST | ARANDELA, EMPUJE | RONDELLE DE BUTEE | 1 | - | | |
| 3345365 | 220 | 16261-9732-0 | BEARING, BALL | RODAMIENTO | ROULEMENT A BILLES | 1 | - | | |
| 3345366 | 230 | 16271-5541-0 | CIR CLIP, GOV. SHAFT | ANILLO | CIRCLIP DE REG. ARBRE | 1 | - | | |
| 3345367 | 240 | 16241-5555-4 | SCREW, SET | TORNILLO, JUEGO | VIS D' ARRET | 1 | - | | |

IDLE APPARATUS - 0180

KUBOTA V1505 DIESEL ENGINE



1G908-004-11

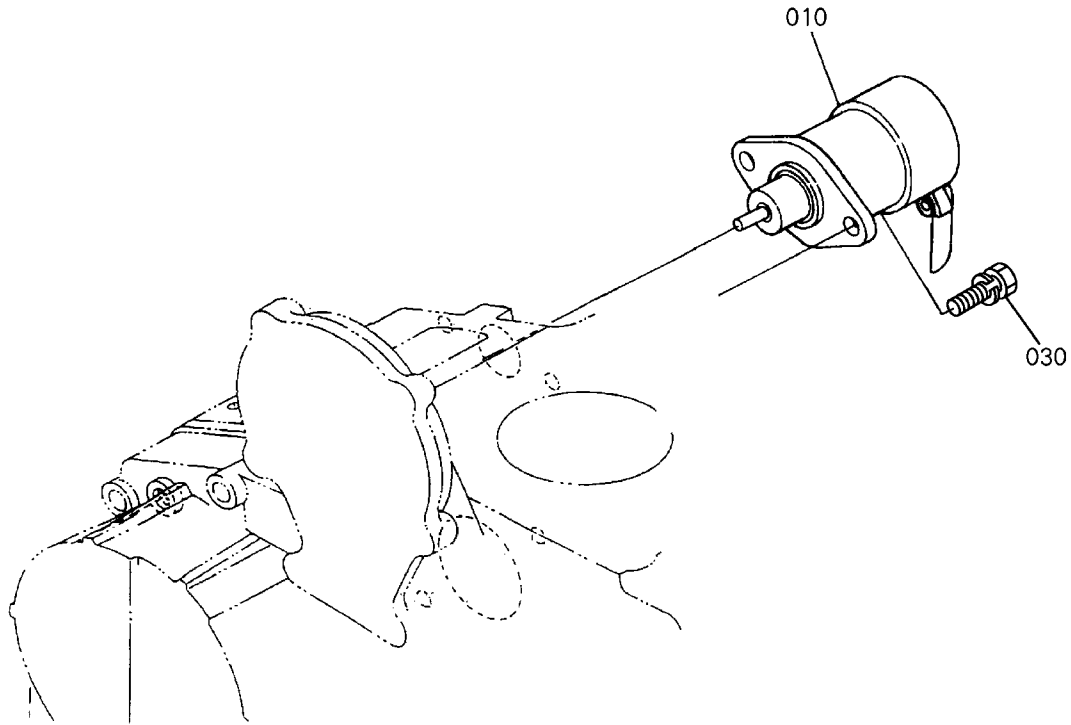
A:V1505-E3B-BRK-1

| MM# | REF. No. No. DE REF. POS. No. | PART No. No. REF. REFERENCE | PART NAME | DESCRIPCION | DESIGNATION | Q' TY/S. No. CANTIDAD/No. DE SERIE Q' TE/No. S. | | I. C. | REMARKS NOTA REMARQUES |
|---------|-------------------------------------|-----------------------------------|-----------------------|----------------------|-----------------------|---|---|-------|------------------------------|
| | | | | | | A | B | | |
| 3345371 | 010 | 16285-5409-3 | APPARATUS, IDLING | APARATO, AL RALENTI | DISPOSITIF DE RALENT | 1 | - | | |
| 3345369 | 020 | 16285-5410-3 | ASSY BOLT, ADJUSTMENT | CONJ. TORNILLO, AJST | ENS. BOULON AU POINT | 1 | - | | |
| 3345373 | 030 | 15841-9202-0 | NUT | TUERCA | ECROU | 1 | - | | |
| 3345374 | 040 | 15852-9233-0 | NUT | TUERCA | ECROU | 1 | - | | |
| 3331828 | 050 | 15601-9665-0 | GASKET | JUNTA | JOINT | 2 | - | | |
| 3331830 | 060 | 16221-5442-0 | CAP | TAPA | BOUCHON | 1 | - | | |
| 3345368 | 070 | 16241-5412-2 | BOLT, ADJUSTING | TORNILLO, AJUSTE | VIS REGLAGE | 1 | - | | |
| 3345372 | 080 | 1G031-5421-0 | NUT, LOCK | TUERCA, CERRADURA | CONTRE-ECROU | 1 | - | | |
| 3345374 | 090 | 15852-9233-0 | NUT | TUERCA | ECROU | 1 | - | | |
| 3331828 | 100 | 15601-9665-0 | GASKET | JUNTA | JOINT | 1 | - | | |
| 3345370 | 110 | 1G021-9665-0 | GASKET | JUNTA | JOINT | 1 | - | | |
| 3336925 | 120 | 16264-8315-3 | COVER, HYDRAULIC PUMP | CUBIERTA, HDRLC BMB | COUVERCLE, POMPE HYD. | 1 | - | | |

PARTS BREAKDOWN

STOP SOLENOID - 0201

KUBOTA V1505 DIESEL ENGINE



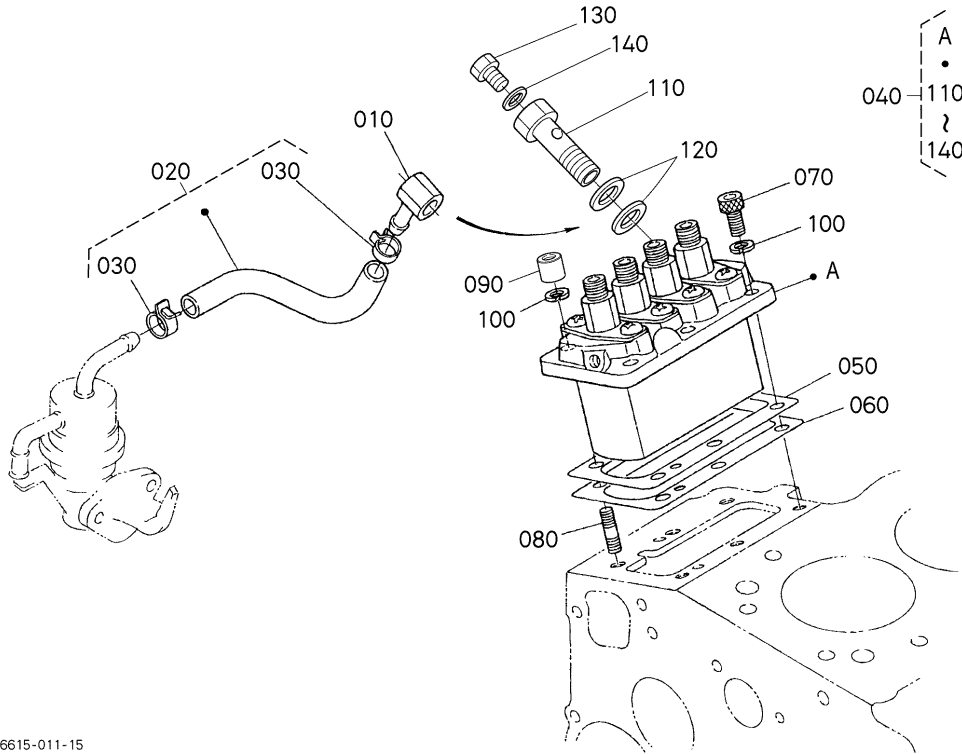
1G680-030-12

A:V1505-E3B-BRK-1

| MM# | REF. No. No. DE REF. POS. No. | PART No. No. REF. REFERENCE | PART NAME | DESCRIPCION | DESIGNATION | Q' TY/S. No. CANTIDAD No. DE SERIE Q' TE/No. S. | | I. C. | REMARKS NOTA REMARQUES |
|---------|-------------------------------------|-----------------------------------|---------------------|----------------------|----------------|---|---|-------|------------------------------|
| | | | | | | A | B | | |
| 3334549 | 010 | 17208-6001-5 | ASSY SOLENOID, STOP | CONJ. SOLENOIDE, PRR | ENS. SOLENOIDE | 1 | - | | |
| NA | 020 | ---- | BLANK | POSTIZO | BLANC | - | - | | |
| 3345375 | 030 | 01202-50614 | BOLT | TORNILLO | VIS | 2 | - | | |

INJECTION PUMP - 0202

KUBOTA V1505 DIESEL ENGINE



16615-011-15

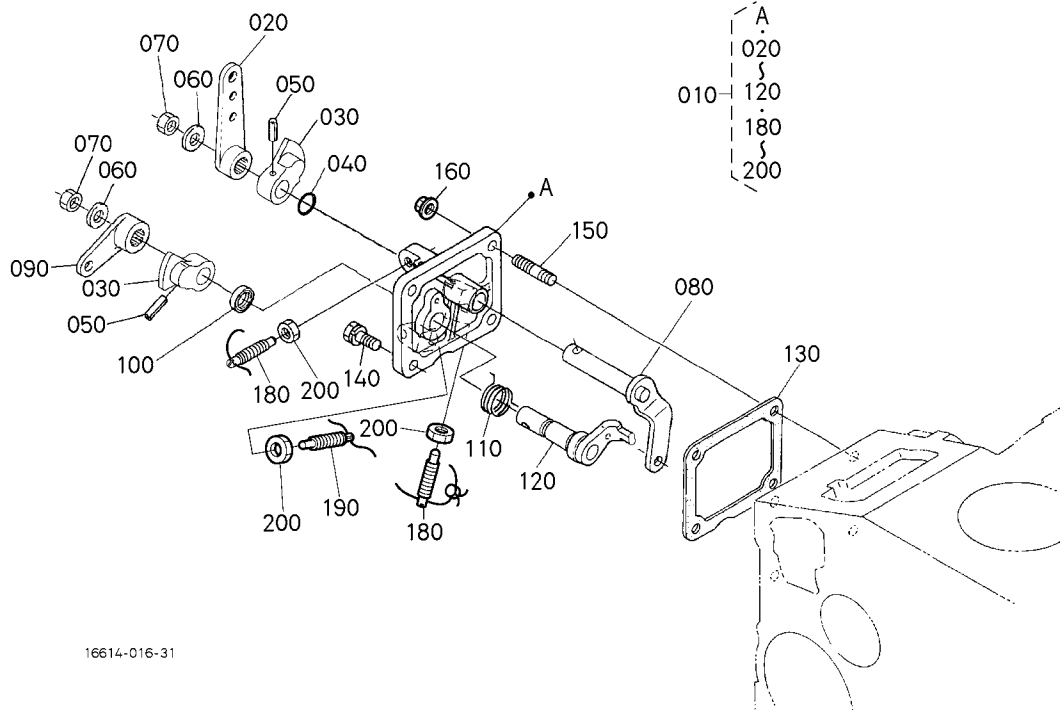
A: V1505-E3B-BRK-1

| MM# | REF. No. No. DE REF. POS. No. | PART No. No. REF. REFERENCE | PART NAME | DESCRIPCION | DESIGNATION | Q' TY/S. No. CANTIDAD/No. DE SERIE Q' TE/No. S. | | I. C. | REMARKS NOTA REMARQUES |
|---------|-------------------------------------|-----------------------------------|----------------------|---------------------|-----------------------|---|---|-------|------------------------------|
| | | | | | | A | B | | |
| 3345378 | 010 | 16241-9569-0 | JOINT, EYE | JUNTA, OJO | RACCORD | 1 | - | | |
| 3345376 | 020 | 16241-4201-0 | ASSY PIPE, FUEL | CONJ. TUBO, CMBSTBL | ENS. TUYAU CARBURANT | 1 | - | | |
| 3345388 | 030 | 14911-4275-0 | CLIP, PIPE | PRESILLA, TUBO | ATTACHE | 2 | - | | |
| 3345377 | 040 | 16060-5101-0 | ASSY PUMP, INJECTION | CONJ. BOMBA, INYCCN | ENS. POMPE INJECTION | 1 | - | | |
| 3345382 | 050 | 16040-5220-0 | SHIM, INJECTION PUMP | SUPLEMENTO, INYCCN | CALE, POMPE INJECTION | 1 | - | | 0. 175mm |
| 3344857 | 050 | 16040-5209-2 | SHIM, INJECTION PUMP | SUPLEMENTO, INYCCN | CALE, POMPE INJECTION | 1 | - | | 0. 200mm |
| 3345383 | 050 | 16040-5211-2 | SHIM, INJECTION PUMP | SUPLEMENTO, INYCCN | CALE, POMPE INJECTION | 1 | - | | 0. 250mm |
| 3345384 | 060 | 16040-5212-2 | SHIM, INJECTION PUMP | SUPLEMENTO, INYCCN | CALE, POMPE INJECTION | 1 | - | | 0. 300mm |
| 3345385 | 060 | 16040-5216-0 | SHIM, INJECTION PUMP | SUPLEMENTO, INYCCN | CALE, POMPE INJECTION | 1 | - | | 0. 350mm |
| 3345381 | 070 | 01311-10620 | BOLT, HEX-SOC-HD | TORNILLO | VIS | 3 | - | | |
| 3345390 | 080 | 15841-9150-0 | STUD | ESPARRAGO | GOUJON | 3 | - | | |
| 3345387 | 090 | 15841-9232-0 | NUT | TUERCA | ECROU | 3 | - | | |
| 3331575 | 100 | 04512-60060 | WASHER, SPRING | ARANDELA DE MUELLE | RONDELLE GROWER | 6 | - | | |
| 3345386 | 110 | 16030-5132-0 | BOLT, JOINT | TORNILLO DE JUNTA | VIS | 1 | - | | |
| 3345379 | 120 | 15841-9665-0 | GASKET | JUNTA | JOINT | 2 | - | | |
| 3345389 | 130 | 15841-5135-0 | SCREW | TORNILLO | VIS | 1 | - | | |
| 3345380 | 140 | 15841-9666-0 | GASKET | JUNTA | JOINT | 1 | - | | |

PARTS BREAKDOWN

SPEED CONTROL PLATE - 0205

KUBOTA V1505 DIESEL ENGINE



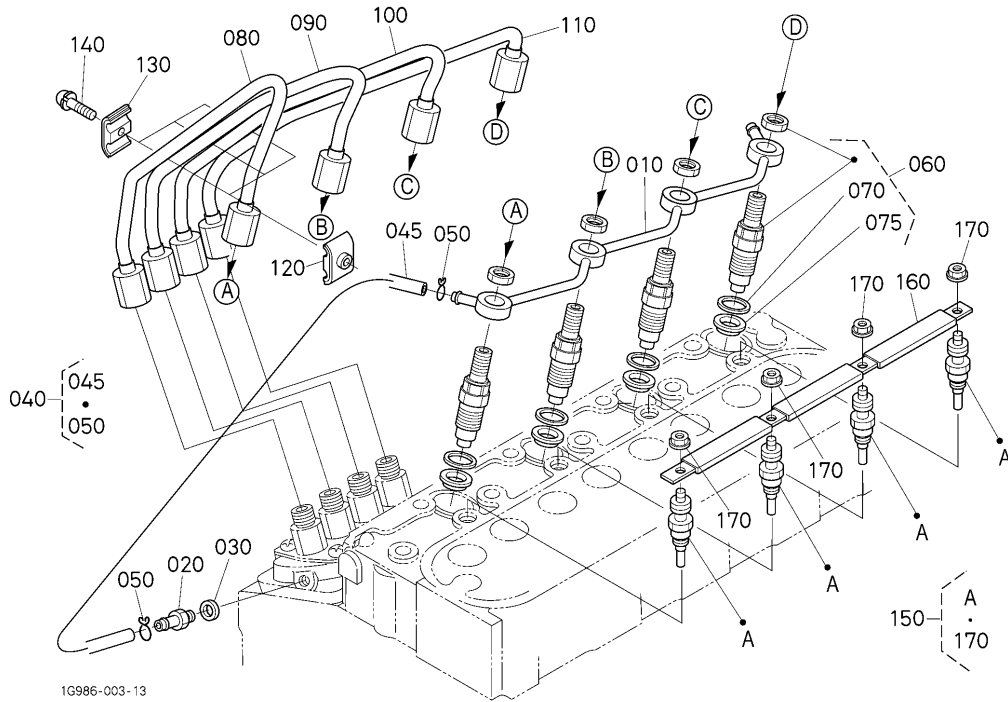
16614-016-31

A:V1505-E3B-BRK-1

| MM# | REF. No. No. DE REF POS. No. | PART No. No. REF. REFERENCE | PART NAME | DESCRIPCION | DESIGNATION | Q' TY/S. No. CANTIDAD/No. DE SERIE Q' TE/No. S. | | I. C. | REMARKS NOTA REMARQUES |
|---------|------------------------------------|-----------------------------------|-----------------------|----------------------|----------------------|---|---|-------|------------------------------|
| | | | | | | A | B | | |
| 3336943 | 010 | 16299-5701-5 | ASSY PLATE, CONTROL | CONJ. PLACA, CNTRL | PLATEAU DE COMMANDE | 1 | - | | |
| 3336941 | 020 | 16271-5715-0 | LEVER, SPEED CONTROL | PALANCA, VLCCD CNTRL | LEVIER DE VIT-CONTRO | 1 | - | | |
| 3336942 | 030 | 16241-5716-0 | LEVER, SPEED CONTROL | PALANCA, VLCCD CNTRL | LEVIER DE VIT-CONTRO | 2 | - | | |
| 3345392 | 040 | 04814-00100 | O RING | O ARO | JOINT TORIQUE | 1 | - | | |
| 3331772 | 050 | 05411-00420 | PIN, SPRING | PASADOR, RESORTE | GOUPILLE-RESSORT | 2 | - | | |
| 3336969 | 060 | 16241-9402-0 | WASHER, PLAIN | ARANDELA, SIMPLE | RONDELLE FREIN | 2 | - | | |
| 3336970 | 070 | 16241-9202-0 | NUT | TUERCA | ECROU | 2 | - | | |
| 3336949 | 080 | 16271-5602-3 | COMP. LEVER, GOVERNOR | COMP. PALANCA, RGLDR | AXE D'ACCELERATEUR | 1 | - | | |
| 3336945 | 090 | 16271-5772-0 | LEVER, ENGINE STOP | PALANCA | LEVIER D'ARRET | 1 | - | | |
| 3331457 | 100 | 15471-5798-0 | SEAL, OIL | RETEN DE ACEITE | BAGUE JOINT | 1 | - | | |
| 3345393 | 110 | 16222-5751-0 | SPRING, RETURN | RESORTE, DEVOLVER | RESSORT DE RAPPEL | 1 | - | | |
| 3336948 | 120 | 16271-5774-0 | SHAFT, STOP LEVER | EJE, PARAR PALANCA | ARBRE D'ARRET-LEVIER | 1 | - | | |
| 3336924 | 130 | 16264-5721-0 | GASKET | JUNTA | JOINT | 1 | - | | |
| 3331926 | 140 | 01023-50616 | BOLT | TORNILLO | VIS | 2 | - | | |
| 3345131 | 150 | 16245-9154-0 | STUD | ESPARRAGO | GOUJON | 2 | - | | |
| 3338381 | 160 | 02751-50060 | NUT, FLANGE | TUERCA, BRIDA | ECROU A EMBASE | 2 | - | | |
| NA | 170 | ---- | BLANK | POSTIZO | BLANC | - | - | | |
| 3336944 | 180 | 16241-5763-2 | BOLT, ADJUSTING | TORNILLO, AJUSTE | VIS REGLAGE | 2 | - | | |
| 3345391 | 190 | 16263-5763-0 | BOLT, ADJUSTING | TORNILLO, AJUSTE | VIS REGLAGE | 1 | - | | |
| 3331620 | 200 | 02056-50060 | NUT | TUERCA | ECROU | 3 | - | | |

NOZZLE HOLDER AND GLOW PLUG - 0206

KUBOTA V1505 DIESEL ENGINE



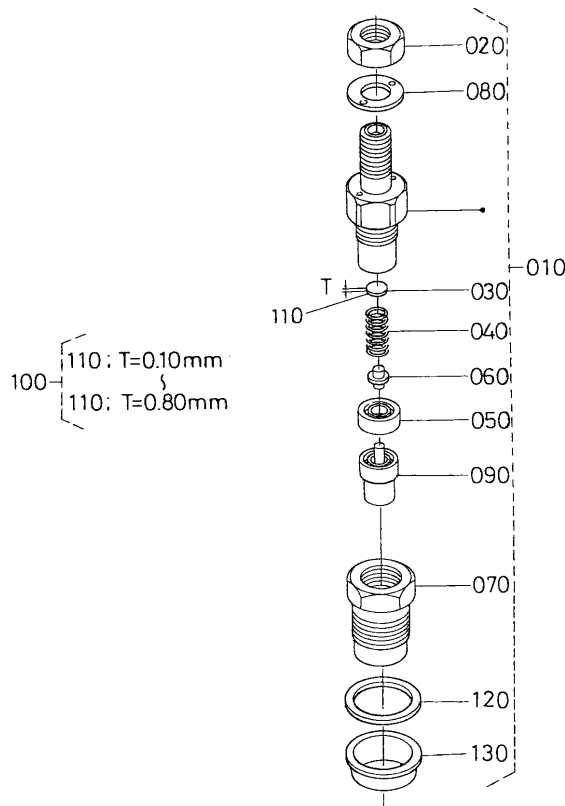
A: V1505-E3B-BRK-1

| MM# | REF. No. No. DE REF. POS. No. | PART No. No. REF. REFERENCE | PART NAME | DESCRIPCION | DESIGNATION | Q' TY/S. No. CANTIDAD/No. DE SERIE Q' TE/No. S. | | I. C. | REMARKS NOTA REMARQUES |
|---------|-------------------------------------|-----------------------------------|----------------------|-----------------------|-----------------------|---|---|-------|------------------------------|
| | | | | | | A | B | | |
| 3333567 | 010 | 16271-4250-2 | ASSY PIPE, OVER FLOW | CONJ. TUBO, ENCM CDL | ENS. TUYAU TROP-PLEIN | 1 | - | | |
| 3345394 | 020 | 15841-5136-0 | SCREW, AIR BLEEDER | TORNILLO, AR CRDR | VIS DE AIR-AVICLTEUR | 1 | - | | |
| 3331828 | 030 | 15601-9665-0 | GASKET | JUNTA | JOINT | 1 | - | | |
| 3345395 | 040 | 15841-4250-0 | ASSY PIPE, OVER FLOW | CONJ. TUBO, ENCM CDL | ENS. TUYAU TROP-PLEIN | 1 | - | | |
| 3345397 | 045 | 15841-4252-0 | PIPE, FUEL OVER FLOW | TUBO, CMBSTBL | TUYAU DE TROP-PLEIN | 1 | - | | |
| 3331847 | 050 | 14971-4275-0 | CLIP, PIPE | PRESILLA, TUBO | ATTACHE | 2 | - | | |
| 3330106 | 060 | 16677-5390-2 | KIT HOLDER, NOZZLE | KIT SOPORTE, TOBERA | ENS. PORTE-INJECTEUR | 4 | - | | |
| 3332432 | 070 | 15841-5362-2 | GASKET | JUNTA | JOINT | 4 | - | | |
| 3331853 | 075 | 19077-5365-0 | SEAL, HEAT | RETEN, CALOR | JOINT DE CHALEUR | 4 | - | | |
| 3334995 | 080 | 16271-5371-2 | PIPE, INJECTION | INJECTOR DE LA PIPA | TUYAU D' INJECTEUR | 1 | - | | |
| 3334996 | 090 | 16271-5372-2 | PIPE, INJECTION | INJECTOR DE LA PIPA | TUYAU D' INJECTEUR | 1 | - | | |
| 3334997 | 100 | 16271-5373-2 | PIPE, INJECTION | INJECTOR DE LA PIPA | TUYAU D' INJECTEUR | 1 | - | | |
| 3334998 | 110 | 16271-5374-2 | PIPE, INJECTION | INJECTOR DE LA PIPA | TUYAU D' INJECTEUR | 1 | - | | |
| 3331863 | 120 | 15841-5385-0 | CLAMP, PIPE | ABRAZADERA | COLLIER DE TUYAU | 3 | - | | |
| 3331864 | 130 | 15841-5386-0 | CLAMP, PIPE | ABRAZADERA | COLLIER DE TUYAU | 3 | - | | |
| 3331865 | 140 | 03024-50520 | SCREW, WITH WASHER | TORNILLO, CN ARNDL | VIS | 3 | - | | |
| 3330795 | 150 | 16281-6551-0 | GLOW PLUG | BUJIA CALENTAMIENTO | BOUGIE, PRE-CHAUFFAGE | 4 | - | | |
| 3332135 | 160 | 16271-6556-0 | CORD, GLOW PLUG | CABLE, BJ CLNTMNT TPN | FILDEBOUG. PRECHAUFF. | 1 | - | | |
| 3345396 | 170 | 02761-50040 | NUT, FLANGE | TUERCA, BRIDA | ECROU A EMBASE | 4 | - | | |

PARTS BREAKDOWN

NOZZLE HOLDER - 0207

KUBOTA V1505 DIESEL ENGINE



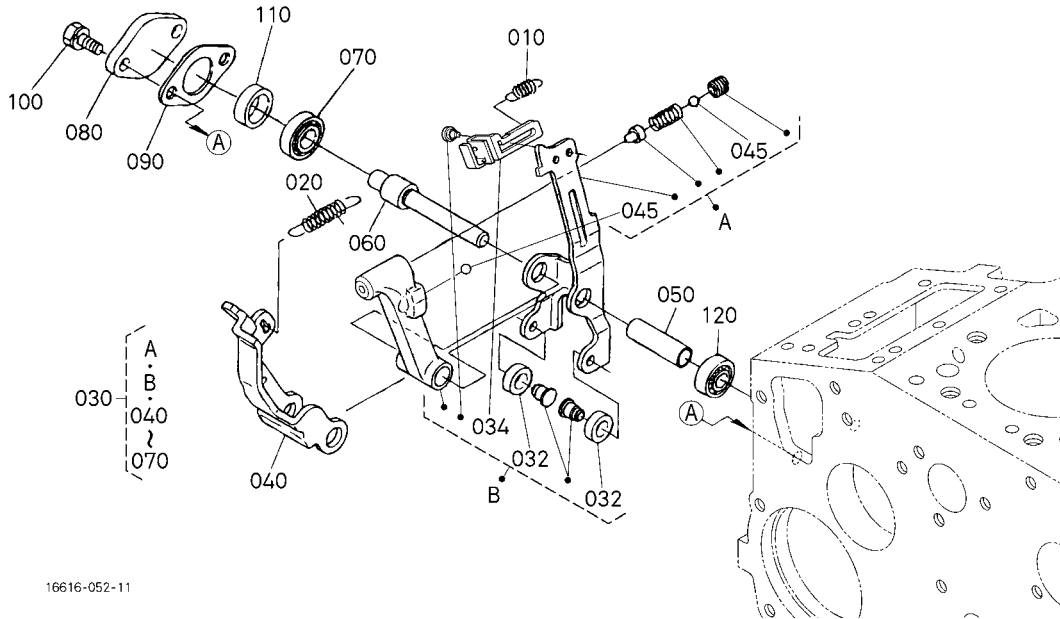
1G347-015-10

A: V1505-E3B-BRK-1

| MM# | REF. No. No. DE REF POS. No. | PART No. No. REF. REFERENCE | PART NAME | DESCRIPCION | DESIGNATION | Q' TY/S. No. CANTIDAD/No. DE SERIE Q' TE/No. S. | | I. C. | REMARKS NOTA REMARQUES |
|---------|------------------------------------|-----------------------------------|---------------------|-----------------------|----------------------|---|---|-------|------------------------------|
| | | | | | | A | B | | |
| 3345411 | 010 | 1G677-5390-2 | KIT HOLDER, NOZZLE | KIT SOPORTE, TOBERA | ENS. PORTE-INJECTEUR | 4 | - | | |
| 3345415 | 020 | 16032-9203-0 | NUT | TUERCA | ECROU | 4 | - | | |
| 3345398 | 030 | 16032-5323-0 | WASHER, ADJUSTING | ARANDELA, AJUSTE | RONDELLE DE REGLAGE | 4 | - | | |
| 3345414 | 040 | 16032-5317-0 | SPRING, NOZZLE | RESORTE, TOBERA | RESSORT D' INJECTEUR | 4 | - | | |
| 3345410 | 050 | 16032-5335-0 | SPACER, DISTANCE | SEPARADOR, DISTANCIA | ENTRETOISE | 4 | - | | |
| 3345417 | 060 | 16032-5316-0 | PUSH ROD | EMPUJAR VARILLA | TIGE DE POUSSOIR | 4 | - | | |
| 3345412 | 070 | 16032-5328-0 | NUT, NOZZLE | TUERCA, TOBERA | ECROU D' INJECTEUR | 4 | - | | |
| 3345416 | 080 | 16032-9404-0 | WASHER, PLAIN | ARANDELA, SIMPLE | RONDELLE FREIN | 4 | - | | |
| 3345413 | 090 | 1G677-5361-2 | PIECE, NOZZLE | PIEZA, TOBERA | ELEMENT D' INJECTEUR | 4 | - | | |
| 3345409 | 100 | 16032-9810-0 | ASSY WASHER, ADJUST | CONJ. ARANDELA, AJSTR | ENS. RONDELLE | 4 | - | | OPTION |
| 3345399 | 110 | 16032-9850-0 | WASHER, ADJUSTING | ARANDELA, AJUSTE | RONDELLE DE REGLAGE | 4 | - | | 0. 100mm |
| 3345400 | 110 | 16032-9851-0 | WASHER, ADJUSTING | ARANDELA, AJUSTE | RONDELLE DE REGLAGE | 4 | - | | 0. 200mm |
| 3345401 | 110 | 16032-9852-0 | WASHER, ADJUSTING | ARANDELA, AJUSTE | RONDELLE DE REGLAGE | 4 | - | | 0. 300mm |
| 3345402 | 110 | 16032-9853-0 | WASHER, ADJUSTING | ARANDELA, AJUSTE | RONDELLE DE REGLAGE | 4 | - | | 0. 400mm |
| 3345403 | 110 | 16032-9854-0 | WASHER, ADJUSTING | ARANDELA, AJUSTE | RONDELLE DE REGLAGE | 4 | - | | 0. 500mm |
| 3345404 | 110 | 16032-9855-0 | WASHER, ADJUSTING | ARANDELA, AJUSTE | RONDELLE DE REGLAGE | 4 | - | | 0. 520mm |
| 3345405 | 110 | 16032-9856-0 | WASHER, ADJUSTING | ARANDELA, AJUSTE | RONDELLE DE REGLAGE | 4 | - | | 0. 540mm |
| 3345406 | 110 | 16032-9857-0 | WASHER, ADJUSTING | ARANDELA, AJUSTE | RONDELLE DE REGLAGE | 4 | - | | 0. 560mm |
| 3345407 | 110 | 16032-9858-0 | WASHER, ADJUSTING | ARANDELA, AJUSTE | RONDELLE DE REGLAGE | 4 | - | | 0. 580mm |
| 3345408 | 110 | 16032-9859-0 | WASHER, ADJUSTING | ARANDELA, AJUSTE | RONDELLE DE REGLAGE | 4 | - | | 0. 800mm |
| 3332432 | 120 | 15841-5362-2 | GASKET | JUNTA | JOINT | 4 | - | | |
| 3331853 | 130 | 19077-5365-0 | SEAL, HEAT | RETEN, CALOR | JOINT DE CHALEUR | 4 | - | | |

FORK LEVER (GOVERNOR) - 0212

KUBOTA V1505 DIESEL ENGINE



16616-052-11

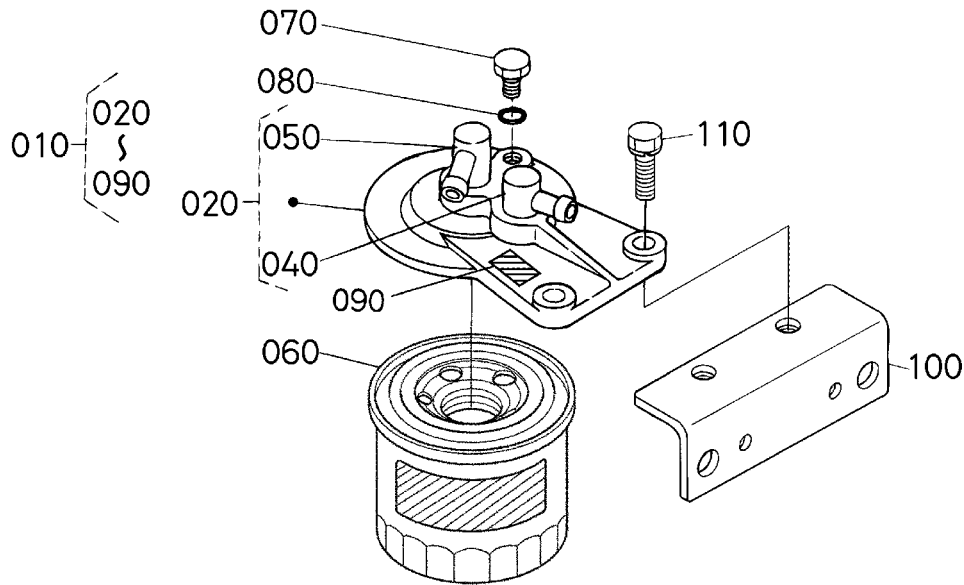
A: V1505-E3B-BRK-1

| MM# | REF. No. No. DE REF. POS. No. | PART No. No. REF. REFERENCE | PART NAME | DESCRIPCION | DESIGNATION | Q' TY/S. No. CANTIDAD/No. DE SERIE Q' TE/No. S. | | I. C. | REMARKS NOTA REMARQUES |
|---------|-------------------------------------|-----------------------------------|------------------------|-----------------------|-----------------------|---|---|-------|------------------------------|
| | | | | | | A | B | | |
| 3345426 | 010 | 16271-5648-0 | SPRING, START | RESORTE, ARRANQUE | RESSORT DE SURCHARGE | 1 | - | | |
| 3345423 | 020 | 16043-5641-0 | SPRING, GOVERNOR | RESORTE, REGULADOR | RESSORT DE REGULATEU | 1 | - | | |
| 3345418 | 030 | 16217-5601-4 | ASSY LEVER, FORK | CONJ. PALANCA, BFRCCN | ENS. LEVIER A FOURCHE | 1 | - | | |
| 3345362 | 032 | 19484-5544-0 | ROLLER | RODILLO | ROULEAU | 2 | - | | |
| 3345427 | 034 | 16271-5621-4 | LEVER, THRUST | PALANCA, EMPUJE | LEVIER DE BUTEE | 1 | - | | |
| 3345420 | 040 | 16032-5613-0 | LEVER, FORK | PALANCA, BIFURCACION | LEVIER A FOURCHE | 1 | - | | |
| 3331746 | 045 | 07715-03205 | BALL | BOLA | BILLE | 2 | - | | |
| 3345421 | 050 | 16032-5615-0 | SHAFT, FORK LEVER | EJE, BFRCCN PLNC | ARBRE DE FOUR-LEVIER | 1 | - | | |
| 3345422 | 060 | 16032-5647-0 | SHAFT, FORK LEVER | EJE, BFRCCN PLNC | ARBRE DE FOUR-LEVIER | 1 | - | | |
| 3345424 | 070 | 16241-5633-0 | BEARING, MINIATURIZE | RODAMIENTO, MNTRZR | ROULEMENT | 1 | - | | |
| 3345188 | 080 | 16241-5625-3 | COVER, FORK LEV. SHAFT | CUBIERTA, BFRCCN | COUV. FOURCHE ARBRE | 1 | - | | |
| 3344856 | 090 | 16299-5626-0 | GASKET | JUNTA | JOINT | 1 | - | | |
| 3332078 | 100 | 01023-50612 | BOLT | TORNILLO | VIS | 2 | - | | |
| 3345419 | 110 | 16241-5621-0 | COLLAR | COLLAR | COLLIER | 1 | - | | |
| 3345425 | 120 | 16241-5634-0 | BEARING, MINIATURIZE | RODAMIENTO, MNTRZR | ROULEMENT | 1 | - | | |

PARTS BREAKDOWN

FUEL FILTER - 0300

KUBOTA V1505 DIESEL ENGINE



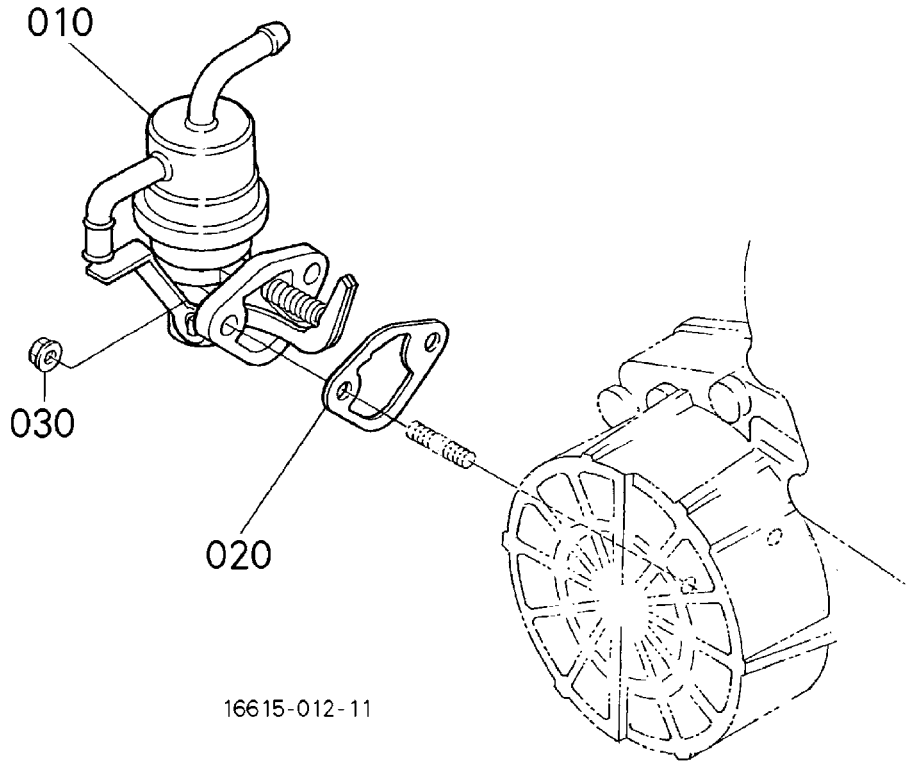
1G974-001-12

A:V1505-E3B-BRK-1

| MM# | REF. No. No. DE REF. POS. No. | PART No. No. REF. REFERENCE | PART NAME | DESCRIPCION | DESIGNATION | Q' TY/S. No. CANTIDAD/No. DE SERIE Q' TE/No. S. | | I. C. | REMARKS NOTA REMARQUES |
|---------|-------------------------------------|-----------------------------------|-----------------------|-----------------------|-----------------------|---|---|-------|------------------------------|
| | | | | | | A | B | | |
| 3330044 | 010 | 15291-4301-0 | ASSY FILTER, FUEL | CONJ. FILTRO, CMBSTBL | ENS. FILTRE, COMBUST | 1 | - | | |
| 3305882 | 020 | 15291-4320-0 | ASSY COVER, FILTER | CONJ. CUBIERTA | ENS. DE COUVERCLE | 1 | - | | |
| NA | 030 | --- | BLANK | POSTIZO | BLANC | - | - | | |
| 3345431 | 040 | 15108-4361-0 | JOINT, PIPE | JUNTA, TUBO | RACCORD DE TUYAU | 1 | - | | |
| 3345432 | 050 | 15108-4378-0 | JOINT, PIPE | JUNTA, TUBO | RACCORD DE TUYAU | 1 | - | | |
| 3303324 | 060 | 15221-4317-0 | ELEMENT, FILTER | ELEMENTO, FILTRO | ELEMENT DE FILTRE | 1 | - | | |
| 3345428 | 070 | 19222-4328-0 | PLUG, FILTER BREATHER | TAPON, FLTR RSPDR | BOUCHON D' EVENT DE F | 1 | - | | |
| 3345430 | 080 | 15108-4329-0 | O RING | O ARO | JOINT TORIQUE | 1 | - | | |
| 3345429 | 090 | 15291-8776-0 | MARK, FORM | MARCA, FORMA | MARQUE DE TYPE | 1 | - | | |
| 3336912 | 100 | 19416-4343-3 | HOLDER, FUEL FILTER | SOPORTE, CMBSTBL FLTR | SUPPORT DE FILTER | 1 | - | | |
| 3331931 | 110 | 01123-50830 | BOLT | TORNILLO | VIS | 2 | - | | |

FUEL PUMP (MECHANICAL) - 0301

KUBOTA V1505 DIESEL ENGINE



16615-012-11

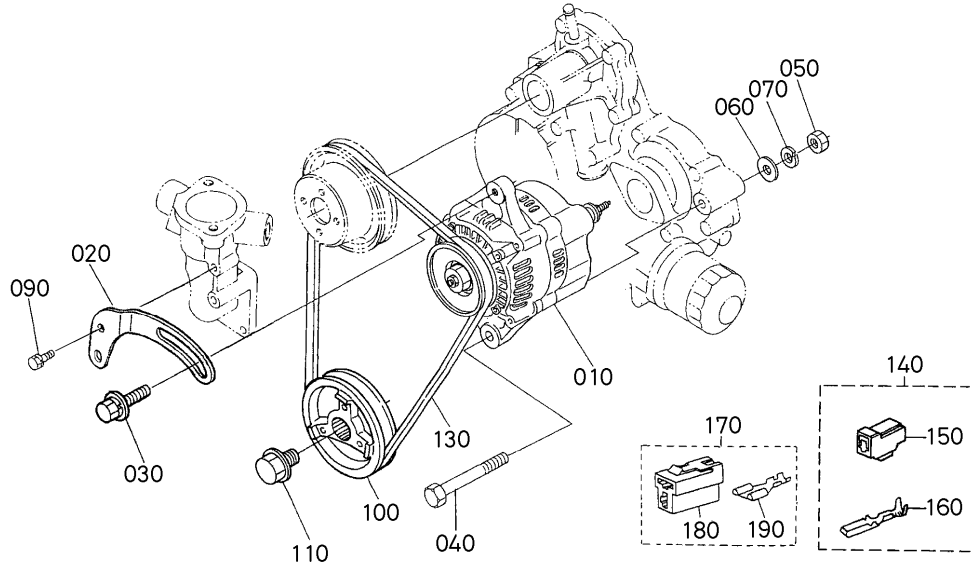
A:V1505-E3B-BRK-1

| MM# | REF. No. No. DE REF. POS. No. | PART No. No. REF. REFERENCE | PART NAME | DESCRIPCION | DESIGNATION | Q' TY/S. No. CANTIDAD/No. DE SERIE | | I. C. | REMARKS NOTA REMARQUES |
|---------|-------------------------------------|-----------------------------------|-------------------|----------------------|-----------------------|---------------------------------------|---|-------|------------------------------|
| | | | | | | A | B | | |
| 3330692 | 010 | 16285-5203-2 | ASSY PUMP, FUEL | CONJ. BOMBA, CMBSTBL | ENS. POMPE D' ALIMEN. | 1 | - | | |
| 3330693 | 020 | 16264-5214-0 | GASKET, FUEL PUMP | JUNTA, CMBSTBL BMB | JOINT DE POMP. CARB. | 1 | - | | |
| 3338381 | 030 | 02751-50060 | NUT, FLANGE | TUERCA, BRIDA | ECROU A EMBASE | 2 | - | | |

PARTS BREAKDOWN

ALTERNATOR AND PULLEY - 0402

KUBOTA V1505 DIESEL ENGINE



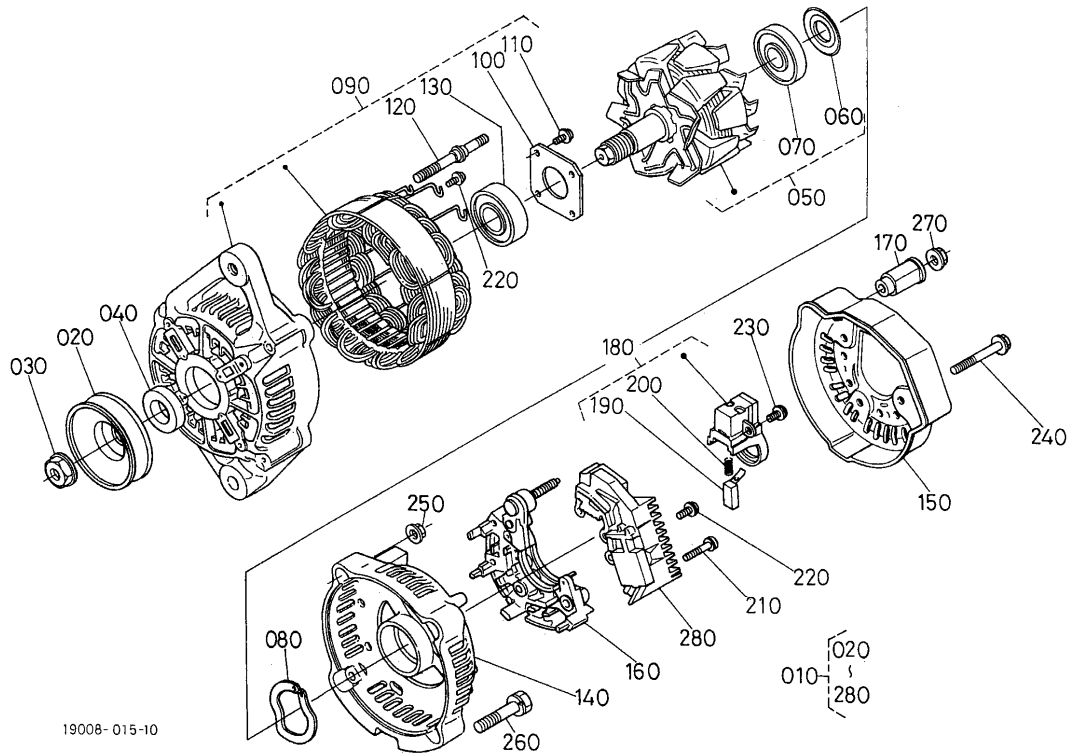
16292-006-22

A:V1505-E3B-BRK-1

| MM# | REF. No. No. DE REF. POS. No. | PART No. No. REF. REFERENCE | PART NAME | DESCRIPCION | DESIGNATION | Q'TY/S. No. CANTIDAD/No. DE SERIE Q' TE/No. S. | | I. C. | REMARKS NOTA REMARQUES |
|---------|-------------------------------------|-----------------------------------|-------------------|---------------------|-----------------------|--|---|-------|------------------------------|
| | | | | | | A | B | | |
| 3318755 | 010 | 16241-6401-2 | ASSY ALTERNATOR | CONJUNTO ALTERNADOR | ALTERNATEUR COMPLET | 1 | - | | 12V 40A |
| 3336067 | 020 | 16241-6442-2 | STAY, DYNAMO | SOPORTE, DINAMO | TENDEUR | 1 | - | | |
| 3338402 | 030 | 01127-50830 | BOLT | TORNILLO | VIS | 1 | - | | |
| 3345199 | 040 | 01173-51085 | BOLT | TORNILLO | VIS | 1 | - | | |
| 3331987 | 050 | 02176-50100 | NUT | TUERCA | ECROU | 1 | - | | |
| 3345200 | 060 | 04011-50100 | WASHER, PLAIN | ARANDELA, SIMPLE | RONDELLE FREIN | 1 | - | | |
| 3331988 | 070 | 04512-60100 | WASHER, SPRING | ARANDELA DE MUELLE | RONDELLE GROWER | 1 | - | | M10 |
| NA | 080 | ---- | BLANK | POSTIZO | BLANC | - | - | | |
| 3331926 | 090 | 01023-50616 | BOLT | TORNILLO | VIS | 1 | - | | |
| 3336937 | 100 | 16249-7428-0 | PULLEY, FAN DRIVE | POLEA, VNTLDR ACCNR | POULIE ENTRAIN. VENT. | 1 | - | | |
| 3336934 | 110 | 16241-9102-0 | BOLT, FAN DRIVE | TORNILLO, VNTLDR | VIS | 1 | - | | |
| NA | 120 | ---- | BLANK | POSTIZO | BLANC | - | - | | |
| 3329867 | 130 | 16282-9701-0 | V BELT | V CORREA | COURROIE | 1 | - | | 37.5IN |
| 3345433 | 140 | 1C010-6583-0 | ASSY COUPLER | CONJUNTO ACOPLADOR | ENS. COUPLEUR | 1 | - | | |
| 3345434 | 150 | 1C010-6588-0 | CONNECTOR | CONNETTORE | CONNECTEUR | 1 | - | | |
| 3345435 | 160 | 1C010-6591-0 | TERMINAL | TERMINAL | DEBORNE | 2 | - | | |
| 3306810 | 170 | 19838-6583-0 | ASSY COUPLER | CONJUNTO ACOPLADOR | ENS. COUPLEUR | 1 | - | | |
| 3331946 | 180 | 19872-6588-0 | CONNECTOR | CONNETTORE | CONNECTEUR | 1 | - | | |
| 3331947 | 190 | 19237-6591-0 | TERMINAL | TERMINAL | DEBORNE | 2 | - | | |

ALTERNATOR (COMPONENT PARTS) - 0403

KUBOTA V1505 DIESEL ENGINE



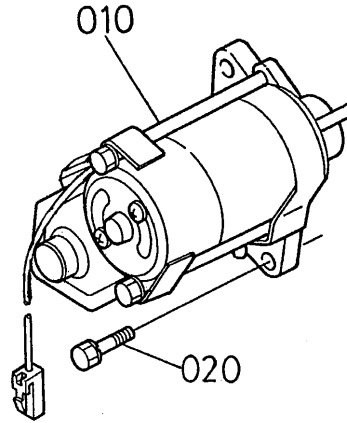
A:V1505-E3B-BRK-1

| MM# | REF. No. No. DE REF. POS. No. | PART No. No. REF. REFERENCE | PART NAME | DESCRIPCION | DESIGNATION | Q' TY/S. No. CANTIDAD/No. DE SERIE Q' TE/No. S. | | I. C. | REMARKS NOTA REMARQUES |
|---------|-------------------------------------|-----------------------------------|-------------------|----------------------|-----------------------|---|---|-------|------------------------------|
| | | | | | | A | B | | |
| 3318755 | 010 | 16241-6401-2 | ASSY ALTERNATOR | CONJUNTO ALTERNADOR | ALTERNATEUR COMPLET | 1 | - | | 12V 40A |
| 3345202 | 020 | 15881-6411-0 | PULLEY, DYNAMO | POLEA, DINAMO | POULIE D' ALTERNATEUR | 1 | - | | |
| 3331957 | 030 | 15881-9201-0 | NUT | TUERCA | ECROU | 1 | - | | |
| 3331958 | 040 | 15881-6415-0 | COLLAR | COLLAR | COLLIER | 1 | - | | |
| 3345203 | 050 | 66436-6404-0 | ROTOR | ROTOR | ROTOR | 1 | - | | |
| 3331960 | 060 | 15881-6480-0 | COVER, BEARING | CUBIERTA, RODAMIENTO | COUVERGLE | 1 | - | | |
| 3345204 | 070 | 16652-6477-0 | BEARING, BALL | RODAMIENTO | ROULEMENT A BILLES | 1 | - | | |
| 3345205 | 080 | 15881-6481-0 | WASHER, THRUST | ARANDELA, EMPUJE | RONDELLE DE BUTEE | 1 | - | | |
| 3345206 | 090 | 66436-6402-0 | FRAME, DRIVE END | BASTIDOR, ACCNR FN | BATI | 1 | - | | |
| 3331964 | 100 | 15881-6471-0 | PLATE, RETAINER | PLACA, RETENEDOR | PLAQUE RETENUE | 1 | - | | |
| 3331965 | 110 | 15881-9301-0 | SCREW, ROUND HEAD | TORNILLO, RDND CLT | VIS A TETE RONDE | 4 | - | | |
| 3331966 | 120 | 15881-6426-0 | BOLT, THROUGH | TORNILLO, A TRAVES | VIS, PASSANT | 2 | - | | |
| 3345207 | 130 | 16652-6478-0 | BEARING, BALL | RODAMIENTO | ROULEMENT A BILLES | 1 | - | | |
| 3345439 | 140 | 16231-6406-0 | FRAME, END | BASTIDOR, FIN | BATI | 1 | - | | |
| 3345438 | 150 | 16231-6423-0 | COVER, END | CUBIERTA, FIN | PALIER ARRIERE | 1 | - | | |
| 3345436 | 160 | 16231-6485-0 | ASSY RECTIFIER | CONJ. RECTIFICADOR | REDRESSEUR | 1 | - | | |
| 3331971 | 170 | 16241-6490-0 | BUSH, INSULATION | CASQUILLO, ASLMNT | BAGUE ISOLANTE | 1 | - | | |
| 3345212 | 180 | 16652-6431-0 | HOLDER, BRUSH | SOPORTE, ESCOBILLA | PORTE-BALAI | 1 | - | | |
| 3331973 | 190 | 15881-6409-0 | BRUSH | ESCOBILLA | PATTE D' ATTACHE | 2 | - | | |
| 3331974 | 200 | 15881-6433-0 | SPRING, BRUSH | RESORTE, ESCOBILLA | RESSORT DE BALAI | 2 | - | | |
| 3331975 | 210 | 15881-9302-0 | SCREW, ROUND HEAD | TORNILLO, RDND CLT | VIS A TETE RONDE | 2 | - | | |
| 3331976 | 220 | 15881-9303-0 | SCREW, ROUND HEAD | TORNILLO, RDND CLT | VIS A TETE RONDE | 6 | - | | |
| 3331977 | 230 | 15881-9304-0 | SCREW, ROUND HEAD | TORNILLO, RDND CLT | VIS A TETE RONDE | 1 | - | | |
| 3331978 | 240 | 15881-9104-0 | BOLT | TORNILLO | VIS | 3 | - | | |
| 3331979 | 250 | 15881-9202-0 | NUT | TUERCA | ECROU | 2 | - | | |
| 3331980 | 260 | 15881-9105-0 | BOLT | TORNILLO | VIS | 2 | - | | |
| 3331981 | 270 | 14182-9203-0 | NUT | TUERCA | ECROU | 1 | - | | |
| 3345437 | 280 | 1K531-6460-2 | ASSY REGULATOR | CONJUNTO REGULADOR | REGULATEUR | 1 | - | | |

PARTS BREAKDOWN

STARTER - 0404

KUBOTA V1505 DIESEL ENGINE



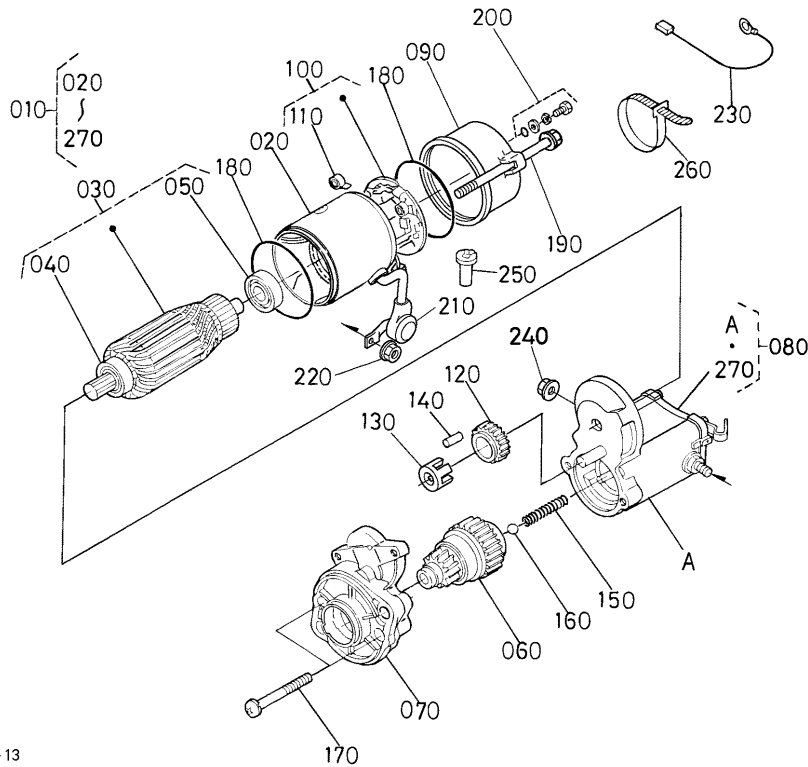
16222-038-10

A:V1505-E3B-BRK-1

| MM# | REF. No. No. DE REF POS. No. | PART No. No. REF. REFERENCE | PART NAME | DESCRIPCION | DESIGNATION | Q' TY/S. No. CANTIDAD/No. DE SERIE Q' TE/No. S. | | I. C. | REMARKS NOTA REMARQUES |
|---------|------------------------------------|-----------------------------------|--------------|----------------------|----------------|---|---|-------|------------------------------|
| | | | | | | A | B | | |
| 3330402 | 010 | 16235-6301-0 | ASSY STARTER | CONJ. MOTOR ARRANQUE | ENS. DEMARREUR | 1 | - | | 12V 1.4KW |
| 3331931 | 020 | 01123-50830 | BOLT | TORNILLO | VIS | 2 | - | | |

STARTER (COMPONENT PARTS) - 0405

KUBOTA V1505 DIESEL ENGINE



1G662-012-13

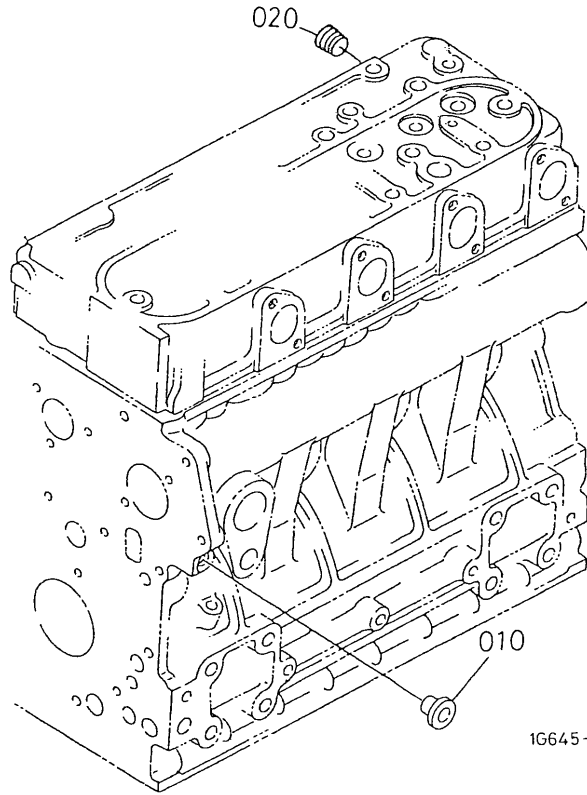
A:V1505-E3B-BRK-1

| MM# | REF. No. No. DE REF. POS. No. | PART No. No. REF. REFERENCE | PART NAME | DESCRIPCION | DESIGNATION | Q' TY/S. No. CANTIDAD/No. DE SERIE Q' TE/No. S. | | I. C. | REMARKS NOTA REMARQUES |
|---------|-------------------------------------|-----------------------------------|-----------------------|----------------------|-----------------------|---|---|-------|------------------------------|
| | | | | | | A | B | | |
| 3330402 | 010 | 16235-6301-0 | ASSY STARTER | CONJ. MOTOR ARRANQUE | ENS. DEMARREUR | 1 | - | | 12V 1.4KW |
| 3345443 | 020 | 16661-6308-0 | ASSY YOKE | CONJUNTO YUGO | ENS. CHAPE | 1 | - | | |
| 3331995 | 030 | 11197-6307-0 | ASSY ARMATURE | CONJUNTO INDUCIDO | ENS. ARMATURE | 1 | - | | |
| 3331996 | 040 | 11460-6350-0 | BEARING | RODAMIENTO | ROULEMENT | 1 | - | | |
| 3331997 | 050 | 11460-6353-0 | BEARING | RODAMIENTO | ROULEMENT | 1 | - | | |
| 3345446 | 060 | 16235-6304-0 | KIT, STARTER | KIT, MTR D ARRNQ | BORNE ET PLONGEUR | 1 | - | | |
| 3345442 | 070 | 16235-6303-0 | ASSY HOUSING, STARTER | CONJ. CARCASA | ENS. CARTER DEMARREUR | 1 | - | | |
| 3345441 | 080 | 16611-6302-0 | ASSY SWITCH, MAGNETIC | CONJ. CONMUTADOR | ENS. INTERRUPTEUR | 1 | - | | |
| 3332002 | 090 | 17341-6320-0 | FRAME, END | BASTIDOR, FIN | BATI | 1 | - | | |
| 3332003 | 100 | 11197-6338-0 | ASSY HOLDER, BRUSH | SOPORTE, ASAMBLEA | ENS. SUPPORT | 1 | - | | |
| 3332004 | 110 | 15401-6339-0 | SPRING, BRUSH | RESORTE, ESCOBILLA | RESSORT DE BALAI | 4 | - | | |
| 3332005 | 120 | 11460-6327-0 | GEAR | ENGRANAJE | ENGRENAGE | 1 | - | | |
| 3332006 | 130 | 11460-6311-0 | RETAINER | DETENEDOR | SUPPORT | 1 | - | | |
| 3332007 | 140 | 19212-6310-0 | ROLLER | RODILLO | ROULEAU | 5 | - | | |
| 3332008 | 150 | 11460-6312-0 | SPRING | RESORTE | RESSORT | 1 | - | | |
| 3332009 | 160 | 19212-9713-0 | BALL | BOLA | BILLE | 1 | - | | |
| 3332010 | 170 | 11460-9331-0 | BOLT | TORNILLO | VIS | 2 | - | | |
| 3332017 | 180 | 15511-9666-0 | O RING | O ARO | JOINT TORIQUE | 2 | - | | |
| 3332021 | 190 | 11197-6332-0 | BOLT | TORNILLO | VIS | 2 | - | | |
| 3332018 | 200 | 15511-6376-0 | ASSY BOLT | CONJUNTO TORNILLO | ENS. VIS | 2 | - | | |
| 3345444 | 210 | 16611-6345-0 | COVER | CUBIERTA | COUVERCLE | 1 | - | | |
| 3332020 | 220 | 13963-9201-0 | NUT, HEXAGON | TUERCA, HEXAGONO | ECROU HEXAGONAL | 1 | - | | |
| 3331992 | 230 | 16611-6366-0 | CORD, STOP SOLENOID | CABLE, PRR SLND | PRISE DE SOLENOIDE | 1 | - | | |
| 3345445 | 240 | 16285-9201-0 | NUT, HEXAGON | TUERCA, HEXAGONO | ECROU HEXAGONAL | 1 | - | | |
| 3332019 | 250 | 16285-6357-0 | PIPE, DRAIN | TUBO, VACIAR | TUYAU DE DRAINAGE | 1 | - | | |
| 3332022 | 260 | 16612-6310-0 | BAND, COVER | BANDA, CUBIERTA | BANDE, COUVERCLE | 1 | - | | |
| 3345440 | 270 | 16285-9805-0 | ASSY COVER | COJ. CUBIERTA | ENS. COUVERCLE | 1 | - | | |

PARTS BREAKDOWN

OIL SWITCH/THERMOMETER AND PLUG - 0406

KUBOTA V1505 DIESEL ENGINE



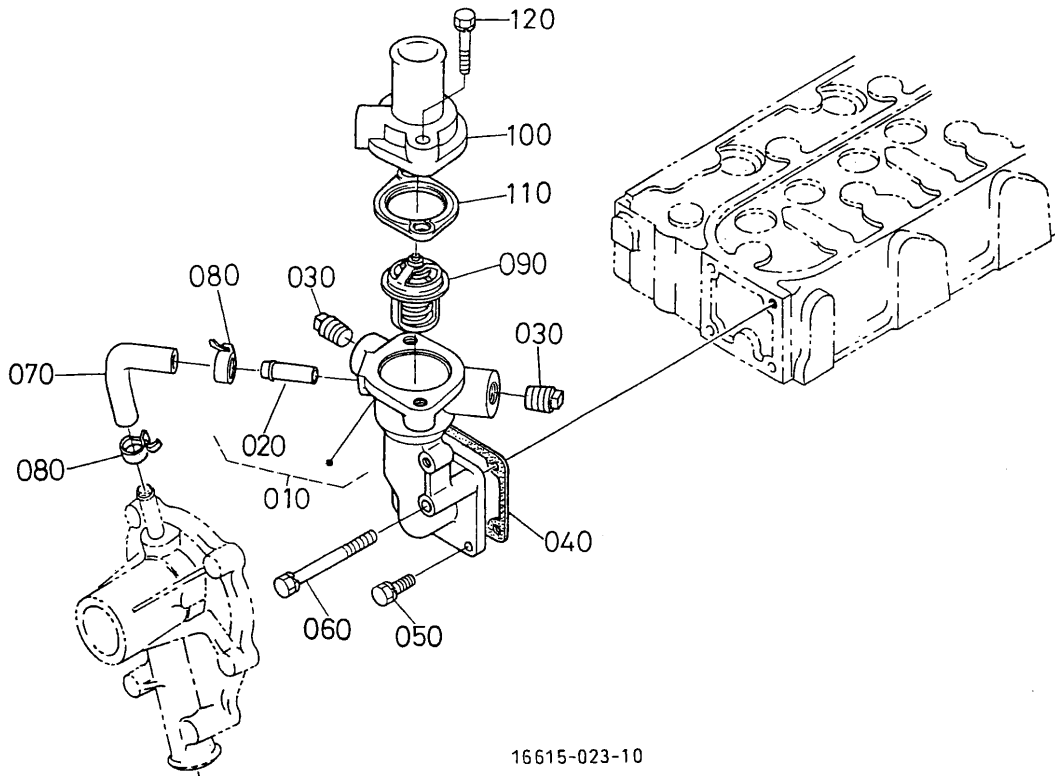
1G645-002-10

A: V1505-E3B-BRK-1

| MM# | REF. No. No. DE REF. POS. No. | PART No. No. REF. REFERENCE | PART NAME | DESCRIPCION | DESIGNATION | Q' TY/S. No. CANTIDAD/No. DE SERIE Q' TE/No. S. | | I. C. | REMARKS NOTA REMARQUES |
|---------|-------------------------------------|-----------------------------------|-----------|-------------|-------------|---|---|-------|------------------------------|
| | | | | | | A | B | | |
| 3331580 | 010 | 34150-2758-0 | PLUG | TAPON | BOUCHON | 1 | - | | |
| 3345245 | 020 | 15841-9602-0 | PLUG | TAPON | BOUCHON | 1 | - | | |

WATER FLANGE AND THERMOSTAT - 0500

KUBOTA V1505 DIESEL ENGINE



16615-023-10

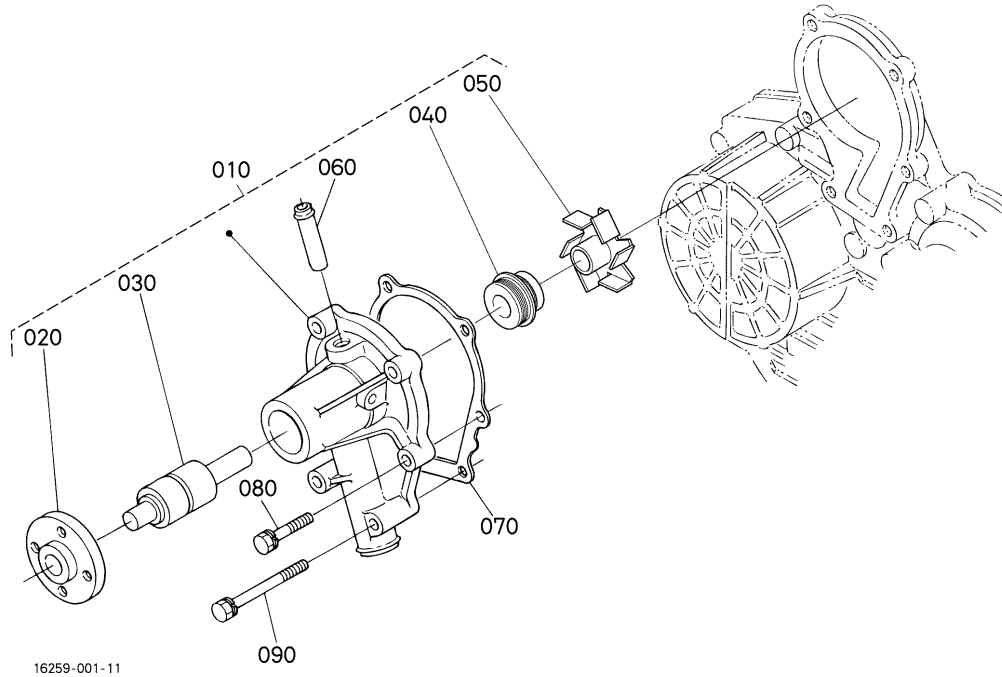
A: V1505-E3B-BRK-1

| MM# | REF. No. No. DE REF. POS. No. | PART No. No. REF. REFERENCE | PART NAME | DESCRIPCION | DESIGNATION | Q'TY/S. No. CANTIDAD/No. DE SERIE Q' TE/No. S. | | I. C. | REMARKS NOTA REMARQUES |
|---------|-------------------------------------|-----------------------------------|----------------------|----------------------|---------------------|--|---|-------|------------------------------|
| | | | | | | A | B | | |
| 3336939 | 010 | 16613-7270-0 | COMP. FLANGE, WATER | COMPLETO BRIDA, AGUA | BRIDE A EAU COMP. | 1 | - | | |
| 3345247 | 020 | 16241-7337-0 | PIPE, WATER RETURN | TUBO, AGUA DEVOLVER | TUYAU RETOUR D' EAU | 1 | - | | |
| 3336947 | 030 | 19071-9602-0 | PLUG | TAPON | BOUCHON | 2 | - | | |
| 3336915 | 040 | 16264-7292-0 | GASKET, WATER FLANGE | JUNTA, AGUA BRIDA | JOINT DE BRIDE | 1 | - | | |
| 3331926 | 050 | 01023-50616 | BOLT | TORNILLO | VIS | 3 | - | | |
| 3345127 | 060 | 01023-50655 | BOLT | TORNILLO | VIS | 1 | - | | |
| 3336931 | 070 | 16241-7335-0 | PIPE, WATER RETURN | TUBO, AGUA DEVOLVER | TUYAU RETOUR D' EAU | 1 | - | | |
| 3333400 | 080 | 16241-7336-0 | BAND, PIPE | BANDA, TUBO | COLLIER DE TUYAU | 2 | - | | |
| 3350446 | 090 | 19434-7301-4 | ASSY THERMOSTAT | CONJUNTO TERMOSTATO | THERMOSTAT COMP. | 1 | - | | |
| 3336919 | 100 | 16219-7326-0 | COVER, THERMOSTAT | CUBIERTA | COUV. DE THERMOSTAT | 1 | - | | |
| 3336918 | 110 | 16221-7327-0 | GASKET, THERMOSTAT | JUNTA, TERMOSTATO | JOINT | 1 | - | | |
| 3338409 | 120 | 01123-50835 | BOLT | TORNILLO | VIS | 2 | - | | |

PARTS BREAKDOWN

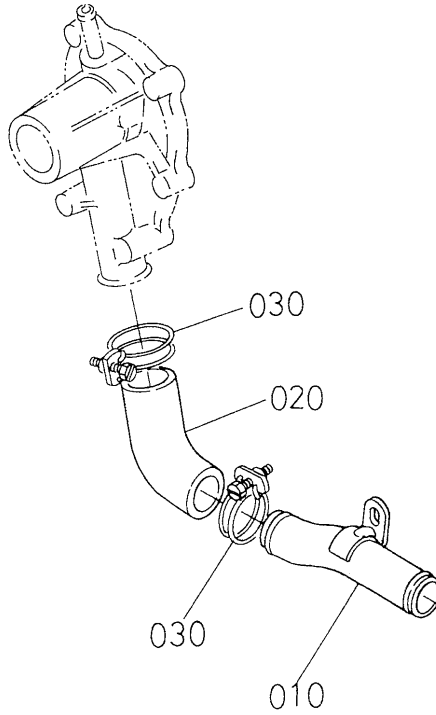
WATER PUMP - 0501

KUBOTA V1505 DIESEL ENGINE



A:V1505-E3B-BRK-1

| MM# | REF. No. No. DE REF. POS. No. | PART No. No. REF. REFERENCE | PART NAME | DESCRIPCION | DESIGNATION | Q' TY/S. No. CANTIDAD/No. DE SERIE Q' TE/No. S. | | I. C. | REMARKS NOTA REMARQUES |
|---------|-------------------------------------|-----------------------------------|-----------------------|----------------------|----------------------|---|---|-------|------------------------------|
| | | | | | | A | B | | |
| 3330792 | 010 | 16251-7303-4 | ASSY PUMP, WATER | CONJUNTO BOMBA, AGUA | ENS. POMPE A EAU | 1 | - | | |
| 3345250 | 020 | 16259-7352-0 | FLANGE, WATER PUMP | BRIDA, AGUA BOMBA | BRIDE DE POMPE A EAU | 1 | - | | |
| 3345447 | 030 | 16259-7355-2 | BEARING | RODAMIENTO | ROULEMENT | 1 | - | | |
| 3345251 | 040 | 16642-7305-0 | ASSY SEAL, MECHANICAL | CONJ. RETEN. MCNC | ENS. JOINT MECANIQUE | 1 | - | | |
| 3345252 | 050 | 16259-7351-2 | IMPELLER, WATER PUMP | RODETE, AGUA BOMBA | TURBINE DE POMPE | 1 | - | | |
| 3345253 | 060 | 15852-7334-0 | PIPE, WATER RETURN | TUBO, AGUA DEVOLVER | TUYAU RETOUR D' EAU | 1 | - | | |
| 3330793 | 070 | 16239-7343-0 | GASKET, WATER PUMP | JUNTA, AGUA BOMBA | JOINT DE POMPE A EAU | 1 | - | | |
| 3345254 | 080 | 01023-50630 | BOLT | TORNILLO | VIS | 4 | - | | |
| 3345255 | 090 | 01023-50685 | BOLT | TORNILLO | VIS | 2 | - | | |



16225-020-10

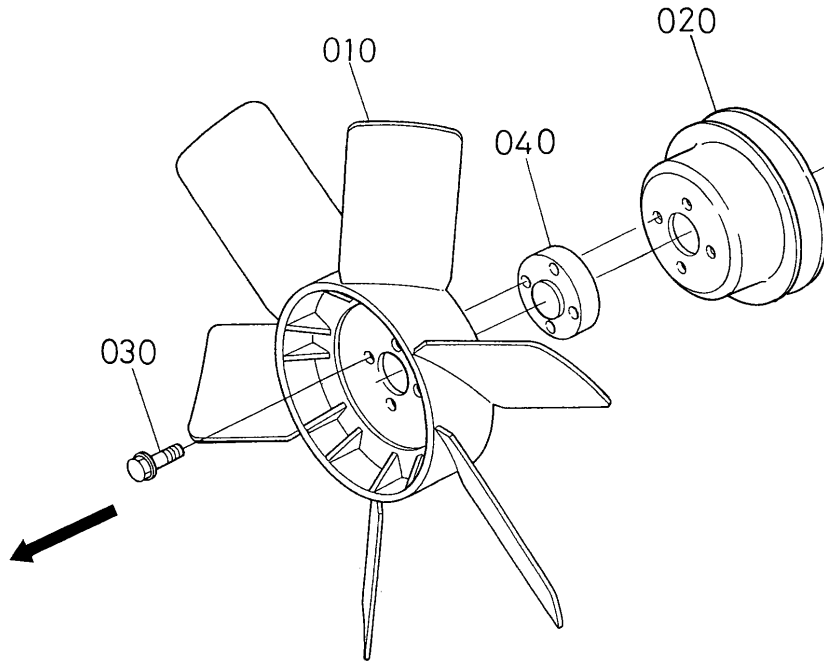
A: V1505-E3B-BRK-1

| MM# | REF. No. No. DE REF POS. No. | PART No. No. REF. REFERENCE | PART NAME | DESCRIPCION | DESIGNATION | Q' TY/S. No. CANTIDAD/No. DE SERIE Q' TE/No. S. | | I. C. | REMARKS NOTA REMARQUES |
|---------|------------------------------------|-----------------------------------|-------------|-------------|--------------|---|---|-------|------------------------------|
| | | | | | | A | B | | |
| 3336946 | 010 | 17203-7286-0 | PIPE, WATER | TUBO, AGUA | TUYAU D' EAU | 1 | - | | |
| 3335448 | 020 | 1G680-7287-0 | PIPE, WATER | TUBO, AGUA | TUYAU D' EAU | 1 | - | | |
| 3345448 | 030 | 36200-8272-0 | CLAMP | ABRAZADERA | ATTACHE | 2 | - | | |

PARTS BREAKDOWN

FAN - 0504

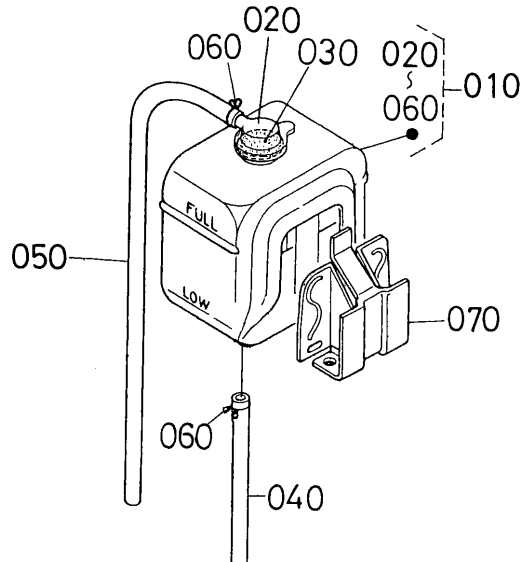
KUBOTA V1505 DIESEL ENGINE



1E058-009-10

A:V1505-E3B-BRK-1

| MM# | REF. No. No. DE REF. POS. No. | PART No. No. REF. REFERENCE | PART NAME | DESCRIPCION | DESIGNATION | Q' TY/S. No. CANTIDAD/No. DE SERIE Q' TE/No. S. | | I. C. | REMARKS NOTA REMARQUES |
|---------|-------------------------------------|-----------------------------------|--------------|----------------------|--------------------|---|---|-------|------------------------------|
| | | | | | | A | B | | |
| 3330210 | 010 | 16299-7411-0 | FAN | VENTILADOR | VENTILATEUR | 1 | - | | |
| 3345054 | 020 | 16241-7425-0 | PULLEY, FAN | POLEA, VENTILADOR | POULIE VENTILATEUR | 1 | - | | |
| 3345449 | 030 | 01754-50620 | BOLT, FLANGE | TORNILLO, BRIDA | VIS DE BUTEE | 4 | - | | |
| 3336933 | 040 | 15876-7415-2 | COLLAR, FAN | COLLARIN, VENTILADOR | COLLIER | 1 | - | | |



16615-032-10

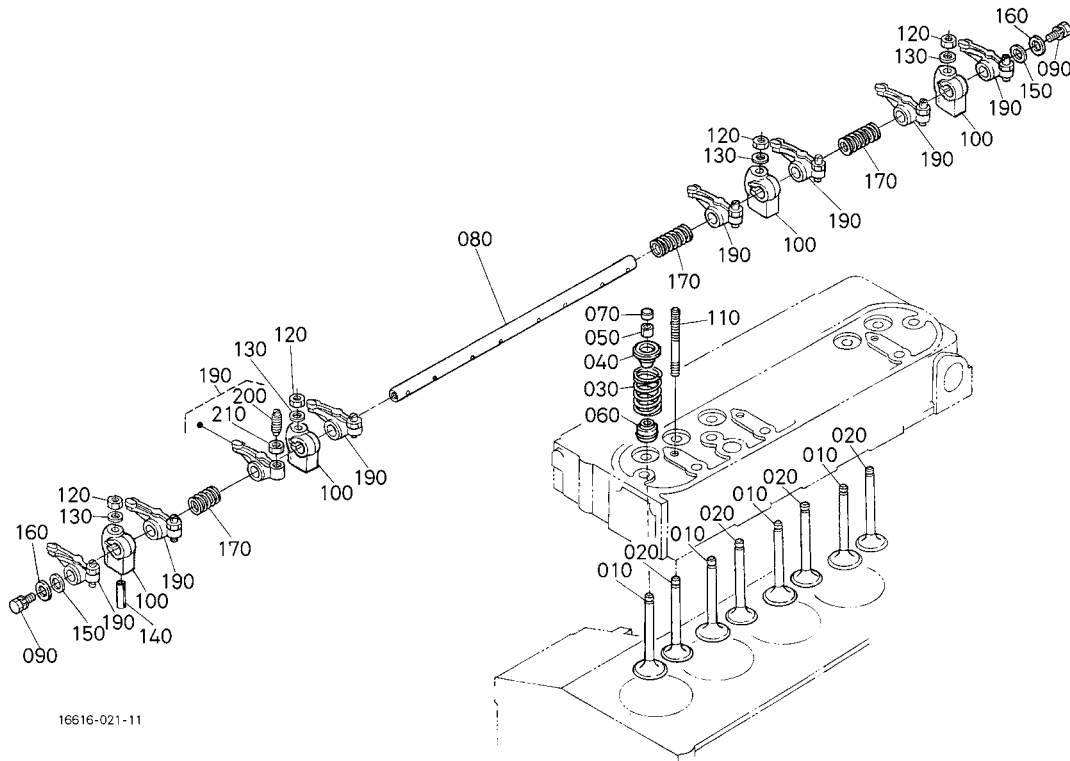
A: V1505-E3B-BRK-1

| MM# | REF. No. No. DE REF POS. No. | PART No. No. REF. REFERENCE | PART NAME | DESCRIPCION | DESIGNATION | Q' TY/S. No. CANTIDAD/No. DE SERIE Q' TE/No. S. | | I. C. | REMARKS NOTA REMARQUES |
|---------|------------------------------------|-----------------------------------|-----------------------|----------------------|------------------------|---|---|-------|------------------------------|
| | | | | | | A | B | | |
| 3324193 | 010 | 15501-7240-0 | ASSY TANK, RESERVE | CONJ. DEPOSITO, RSRV | ENS. VASE D' EXPANSION | 1 | - | | |
| 3345450 | 020 | 15272-7242-0 | CAP | TAPA | BOUCHON | 1 | - | | |
| 3345451 | 030 | 15531-7243-2 | GASKET | JUNTA | JOINT | 1 | - | | |
| 3345453 | 040 | 15501-7271-0 | PIPE, WATER OVER FLOW | TUBO, AG ENCM CDL | ENS. TUYAU TROP-PLEIN | 1 | - | | |
| 3345454 | 050 | 68111-4239-0 | PIPE, WATER OVER FLOW | TUBO, AG ENCM CDL | ENS. TUYAU TROP-PLEIN | 1 | - | | |
| 3345452 | 060 | 15501-7247-0 | CLIP, PIPE | PRESILLA, TUBO | ATTACHE | 2 | - | | |
| 3334233 | 070 | 15527-7246-0 | STAY, RESERVE TANK | SOPORTE, RSRV DPST | SUPPORT DE VASE D' E. | 1 | - | | |

PARTS BREAKDOWN

VALVE AND ROCKER ARM - 0600

KUBOTA V1505 DIESEL ENGINE



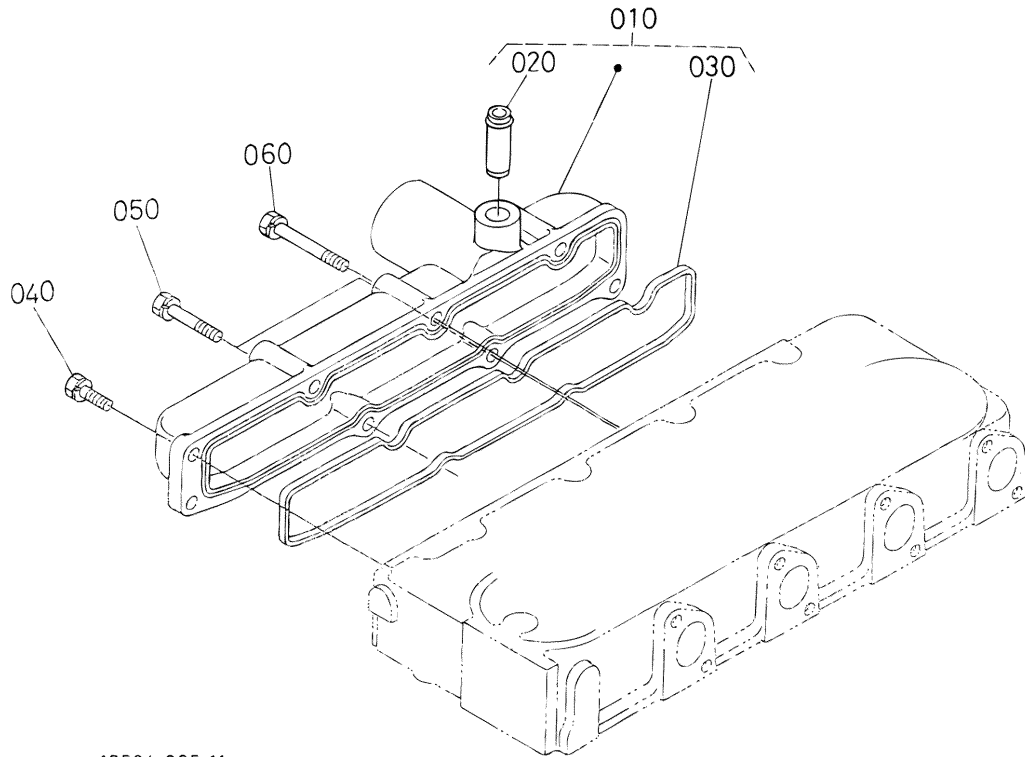
16616-021-11

A:V1505-E3B-BRK-1

| MM# | REF. No. No. DE REF. POS. No. | PART No. No. REF. REFERENCE | PART NAME | DESCRIPCION | DESIGNATION | Q' TY/S. No. CANTIDAD/No. DE SERIE | | I. C. | REMARKS NOTA REMARQUES |
|---------|-------------------------------------|-----------------------------------|----------------------|---------------------|----------------------|---------------------------------------|---|-------|------------------------------|
| | | | | | | A | B | | |
| 3345457 | 010 | 16241-1311-5 | VALVE, INLET | VALVULA, ENTRADA | SOUPAPE D' ADMISSION | 4 | - | | |
| 3345456 | 020 | 16241-1312-6 | VALVE, EXHAUST | VALVULA, ESCAPE | SOUPAPE D' ECHAPMENT | 4 | - | | |
| 3345459 | 030 | 16271-1324-0 | SPRING, VALVE | RESORTE, VALVULA | RESSORT DE SOUPAPE | 8 | - | | |
| 3345264 | 040 | 16261-1333-0 | RETAINER, SPRING | RETENEDOR, RESORTE | ARRETOIR DE RESSORT | 8 | - | | |
| 3345265 | 050 | 15261-1336-0 | COLLET, VALVE SPRING | ENGASTE, VLVL RSRT | DEMI CLAVETTE | 8 | - | | SET |
| 3345266 | 060 | 1C010-1315-0 | SEAL, VALVE STEM | RETEN, VLVL VSTG | JOINT DE SOUPAPE | 8 | - | | |
| 3345268 | 070 | 16241-1328-0 | CAP, VALVE | TAPA, VALVULA | CHAPEAU DE SOUPAPE | 8 | - | | |
| 3345458 | 080 | 16241-1426-4 | SHAFT, ROCKER ARM | EJE, BALANCIN BRAZO | ARBRE DE CULBUTEUR | 1 | - | | |
| 3345455 | 090 | 01023-50610 | BOLT | TORNILLO | VIS | 2 | - | | |
| 3345270 | 100 | 16241-1435-0 | BRACKET, ROCKER ARM | SOPORTE, BLNCR BRZ | SUPPORT DE CULBUTEUR | 4 | - | | |
| 3345271 | 110 | 16241-1441-0 | STUD | ESPARRAGO | GOUJON | 4 | - | | |
| 3345272 | 120 | 15261-9201-0 | NUT | TUERCA | ECROU | 4 | - | | |
| 3345273 | 130 | 15261-9401-0 | WASHER, PLAIN | ARANDELA, SIMPLE | RONDELLE FREIN | 4 | - | | |
| 3345274 | 140 | 05411-00428 | PIN, SPRING | PASADOR, RESORTE | GOUVILLE-RESSORT | 1 | - | | |
| 3345275 | 150 | 16241-1443-0 | WASHER, R-ARM. SHAFT | ARANDELA, BLNCR-BRZ | RONDELLE | 2 | - | | |
| 3345276 | 160 | 15841-9402-2 | WASHER, PLAIN | ARANDELA, SIMPLE | RONDELLE FREIN | 2 | - | | |
| 3345277 | 170 | 16241-1431-0 | SPRING, ROCKER ARM | RESORTE | RESSORT DE CULBUTEUR | 3 | - | | |
| NA | 180 | ---- | BLANK | POSTIZO | BLANC | - | - | | |
| 3345278 | 190 | 16241-1403-2 | ASSY ROCKER ARM | CONJ. BALANCIN BRZ | ENS. CULBUTEURS | 8 | - | | |
| 3345279 | 200 | 16241-1423-0 | SCREW, ADJUSTING | TORNILLO, AJUSTE | VIS DE REGLAGE | 8 | - | | |
| 3345280 | 210 | 16241-1424-0 | NUT | TUERCA | ECROU | 8 | - | | |

INLET MANIFOLD - 0601

KUBOTA V1505 DIESEL ENGINE



17524-005-11

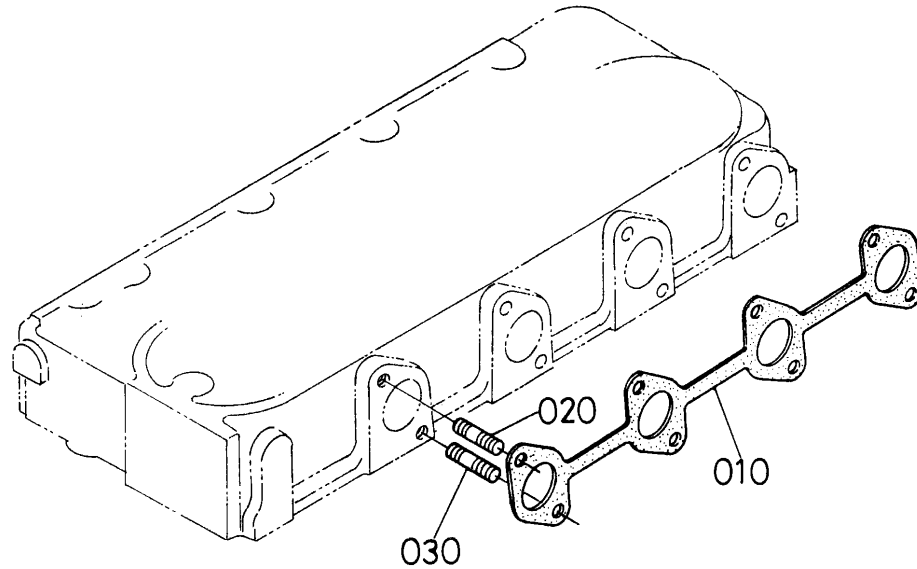
A: V1505-E3B-BRK-1

| MM# | REF. No. No. DE REF. POS. No. | PART No. No. REF. REFERENCE | PART NAME | DESCRIPCION | DESIGNATION | Q' TY/S. No. CANTIDAD/No. DE SERIE | | I. C. | REMARKS NOTA REMARQUES |
|---------|-------------------------------------|-----------------------------------|----------------------|-----------------------|------------------------|---------------------------------------|---|-------|------------------------------|
| | | | | | | A | B | | |
| 3336911 | 010 | 16259-1177-2 | ASSY MANIFOLD, INLET | CONJ. COLECTOR, ENTRD | ENS. COLLECTEUR D' AD. | 1 | - | | |
| 3345460 | 020 | 16241-0555-0 | JOINT, BREATHER PIPE | JUNTA, RSPRDR TB | RACCORD D' ASPI-TUYAU | 1 | - | | |
| 3337577 | 030 | 16241-1182-0 | GASKET, IN-MANIFOLD | JUNTA, ENTRD-CLCTR | JOINT DE COLL. ADM. | 1 | - | | |
| 3331776 | 040 | 01023-50618 | BOLT | TORNILLO | VIS | 3 | - | | |
| 3345254 | 050 | 01023-50630 | BOLT | TORNILLO | VIS | 2 | - | | |
| 3338349 | 060 | 01023-60650 | BOLT | TORNILLO | VIS | 3 | - | | |

PARTS BREAKDOWN

EXHAUST MANIFOLD - 0602

KUBOTA V1505 DIESEL ENGINE



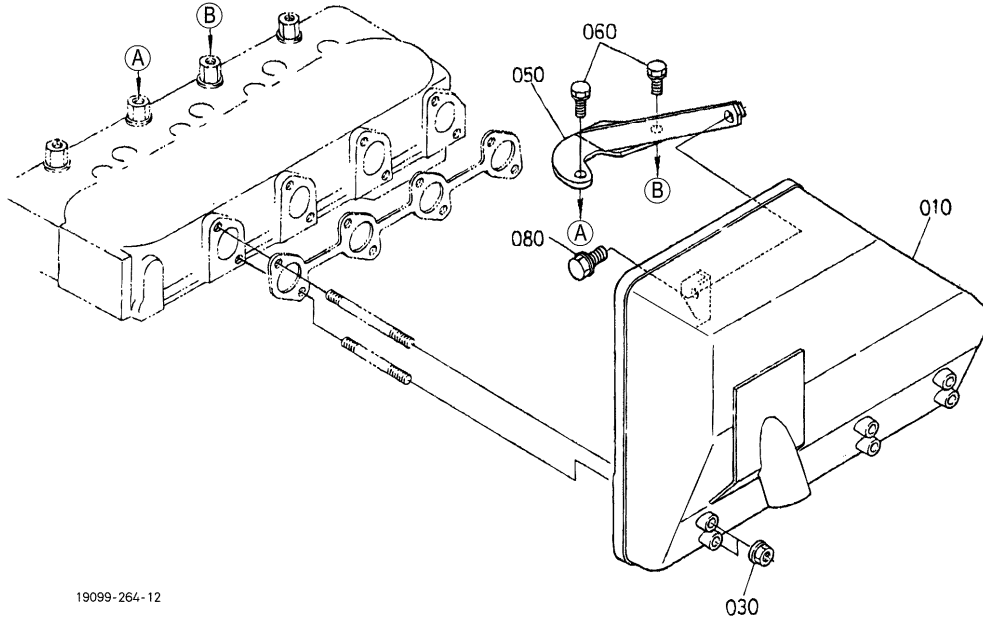
19099-263-10

A: V1505-E3B-BRK-1

| MM# | REF. No. No. DE REF. POS. No. | PART No. No. REF. REFERENCE | PART NAME | DESCRIPCION | DESIGNATION | Q' TY/S. No. CANTIDAD/No. DE SERIE Q' TE/No. S. | | I. C. | REMARKS NOTA REMARQUES |
|---------|-------------------------------------|-----------------------------------|---------------------|-------------------|-----------------------|---|---|-------|------------------------------|
| | | | | | | A | B | | |
| 3333964 | 010 | 37560-1236-0 | GASKET, EX-MANIFOLD | JUNTA, ESCP-CLCTR | JOINT DE COLL. ECHAP. | 1 | - | | |
| 3345461 | 020 | 16251-9151-0 | STUD | ESPARRAGO | GOUJON | 4 | - | | |
| 3345462 | 030 | 16251-9152-0 | STUD | ESPARRAGO | GOUJON | 4 | - | | |

MUFFLER - 0605

KUBOTA V1505 DIESEL ENGINE



19099-264-12

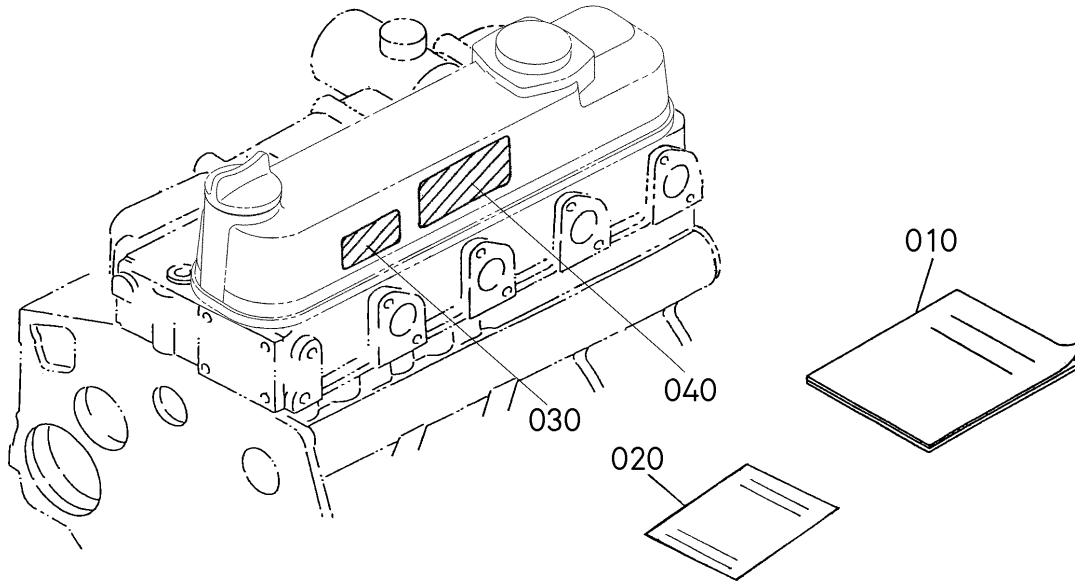
A: V1505-E3B-BRK-1

| MM# | REF. No. No. DE REF. POS. No. | PART No. No. REF. REFERENCE | PART NAME | DESCRIPCION | DESIGNATION | Q' TY/S. No. CANTIDAD/No. DE SERIE | | I. C. | REMARKS NOTA REMARQUES |
|---------|-------------------------------------|-----------------------------------|--------------------|----------------------|------------------|---------------------------------------|---|-------|------------------------------|
| | | | | | | A | B | | |
| 3338639 | 010 | 1G994-1211-0 | COMP. MUFFLER | COMPLETO SILENCIADOR | SILENCIEUX COMP. | 1 | - | | |
| NA | 020 | ---- | BLANK | POSTIZO | BLANC | - | - | | |
| 3344883 | 030 | 16271-9201-0 | NUT | TUERCA | ECROU | 8 | - | | |
| NA | 040 | ---- | BLANK | POSTIZO | BLANC | - | - | | |
| 3336660 | 050 | 37560-8852-2 | STAY, MUFFLER REAR | SOPORTE, SLNCDR TRSR | SUPPORT | 1 | - | | |
| 3331595 | 060 | 01123-60816 | BOLT | TORNILLO | VIS | 2 | - | | |
| NA | 070 | ---- | BLANK | POSTIZO | BLANC | - | - | | |
| 3345463 | 080 | 01774-61020 | BOLT, FLANGE | TORNILLO, BRIDA | VIS DE BUTEE | 1 | - | | |

PARTS BREAKDOWN

LABEL AND OPERATOR'S MANUAL - 0809

KUBOTA V1505 DIESEL ENGINE



1G645-073-12

A:V1505-E3B-BRK-1

| MM# | REF. No. No. DE REF. POS. No. | PART No. No. REF. REFERENCE | PART NAME | DESCRIPCION | DESIGNATION | Q'TY/S. No. CANTIDAD/No. DE SERIE Q'TE/No. S. | | I. C. | REMARKS NOTA REMARQUES |
|---------|-------------------------------------|-----------------------------------|---------------------|-----------------------|-----------------------|---|---|-------|------------------------------|
| | | | | | | A | B | | |
| 3345465 | 010 | 16622-8916-6 | OPERATOR'S MANUAL | MANUAL DEL OPERADOR | MANUEL DE L'UTILISA. | 1 | - | | |
| 3345466 | 020 | 1G511-8981-5 | STATEMENT, WARRANTY | DECLARACION, GARANTIA | DECLARATION, GARANTIE | 1 | - | | |
| 3345464 | 030 | 19426-8790-3 | LABEL | ETIQUETA | ETIQUETTE | 1 | - | | |
| 3332064 | 040 | 19426-8788-0 | LABEL, INSTRUCTION | ETIQUETA, INSTRUCCION | ETIQUETTE | 1 | - | | |

WARRANTY

Revision J
Effective December 2013
PowerBoss Made Simple Industrial Limited Warranty

Minuteman International owner of PowerBoss warrants to the original purchaser/user that the product is free from defects in workmanship and materials under normal use. PowerBoss will, at its option, repair or replace without charge, parts that fail under normal use and service when operated and maintained in accordance with the applicable operation and instruction manuals. All warranty claims must be submitted through and approved by factory authorized repair stations.

This warranty does not apply to normal wear, or to items whose life is dependent on their use and care. Parts not manufactured by PowerBoss are covered by and subject to the warranties and/or guarantees of their manufacturers. Please contact Minuteman International for procedures in warranty claims against these manufacturers.

Special warning to purchaser -- Use of replacement parts not manufactured by PowerBoss or its designated licensees, will void all warranties expressed or implied. A potential health hazard exists without original equipment replacement.

All warranted items become the sole property of Minuteman International or PowerBoss or its original manufacturer, whichever the case may be.

PowerBoss disclaims any implied warranty, including the warranty of merchantability and the warranty of fitness for a particular purpose. PowerBoss assumes no responsibility for any special, incidental or consequential damages.

This limited warranty is applicable only in the U.S.A. and Canada, and is extended only to the original user/purchaser of this product. Customers outside the U.S.A. and Canada should contact their local distributor for export warranty policies. PowerBoss is not responsible for costs or repairs performed by persons other than those specifically authorized by PowerBoss. This warranty does not apply to damage from transportation, alterations by unauthorized persons, misuse or abuse of the equipment, use of non-compatible chemicals, or damage to property, or loss of income due to malfunctions of the product. If a difficulty develops with this machine, you should contact the dealer from whom it was purchased.

This warranty gives you specific legal rights, and you may have other rights, which vary from state to state. Some states do not allow the exclusion or limitation of special, incidental or consequential damages, or limitations on how long an implied warranty lasts, so the above exclusions and limitations may not apply to you.

| | Travel * | Labor | Parts | Engine | Extended Warranty | Costs |
|--|----------|-----------|------------------------|---------------------------|---|-------|
| Walk Behind | | | | | | **** |
| Battery Sweepers | 90 Days | 12 months | 12 months | N/A | N/A | - |
| IC Sweepers | 90 Days | 12 months | 12 months | Through Eng. Mfg. | N/A | - |
| Battery Scrubbers | 90 Days | 24 months | 36 months | N/A | N/A | - |
| Riders | | | | | | |
| Battery Scrubbers | 90 Days | 24 months | 36 months or 2000 hr. | N/A | 36 months parts + 24 labor (or 3000 Hours) | 5% |
| IC Sweeper/Scrubbers 82 & 90 | 90 Days | 6 months | 24 months or 2000 hr. | 24 months or 3000 hrs** | 36 months parts + 24 months labor (or 3000 Hours) + 180 days travel | 5% |
| I.C. Sweepers 9X, 10X | 90 days | 6 months | 48 months or 3000 hrs. | 60 months or 3000 hrs** | 48 months parts + 24 months labor (or 3000 Hours) + 180 days travel | 5% |
| NAUTILUS Scrubber | 180 Days | 24 months | 36 months or 2000 hr. | 36 months or 2000 hrs** | 48 months parts + 24 months labor (or 3000 Hours) + 180 days travel | 3% |
| All Rider, I.C. (excluding APEX series) | | | | | Bumper to Bumper 5000 hr max. 48 months parts, 48 months labor, 180 days travel | 8% |
| Exceptions | | | | | | |
| Apex Series Sweeper | 90 Days | 12 months | 12 months or 1000 hr. | 12 months or 1000 hrs** | 24 months parts + 24 months labor (or 2000 Hours) | 5% |
| 6X Sweeper | 90 Days | 6 months | 24 months or 2000 hr. | 24 months or 2000 hours** | 36 months parts + 24 months labor (or 3000 Hours) + 180 day travel | 5% |

Tank Bladders Eight years/ no additional labor
Polyethylene plastic tanks Ten years/ no additional labor
Batteries 0-3 months full replacement, 4-12 prorated credit
Chargers One-year replacement
Aftermarket Replacement parts Ninety days from date of purchase

*Two-Hour Cap Per Service Call

**Through Engine Manufacturer. See Section 3 of Warranty Manual for Engine Warranty Exceptions

*** Based Upon Dealer's Certification Status:

Extended Warranty MUST Be Signed Up Within 30 Days of Delivery to End User
 (Dealer Has 1Year From Receiving Machine To Sign Up For Extended Warranty)

***All above labor and travel reimbursed at 65% or 75% of the published shop rate.



“The Power of Clean”

**PowerBoss© Is a Full Line Manufacturer of Sweepers and Scrubbers,
For Industrial Facilities.**

PowerBoss©, Minuteman International, Inc. 14N845 U.S. Route 20 Pingree Grove, IL 60140

Phone: 800-323-9420 Email: tech@powerboss.com Website: www.PowerBoss.com

A Member of the Hako Group