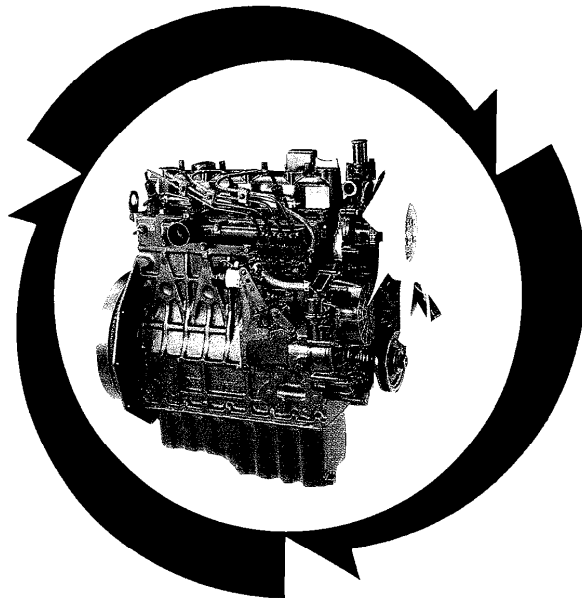


ILLUSTRATED PARTS LIST

KUBOTA

MODEL V1505-E2B-BROOKS-1

DIESEL ENGINE



Kubota

97898-62310
JAN. 2004

NOTICE

This Parts List is for the following purposes.

1. When ordering parts, check with this Parts List to confirm the part number and the name of parts.
2. When making repairs, refer to the illustrations in this Parts List.
3. This Parts List is subject to change without notice.

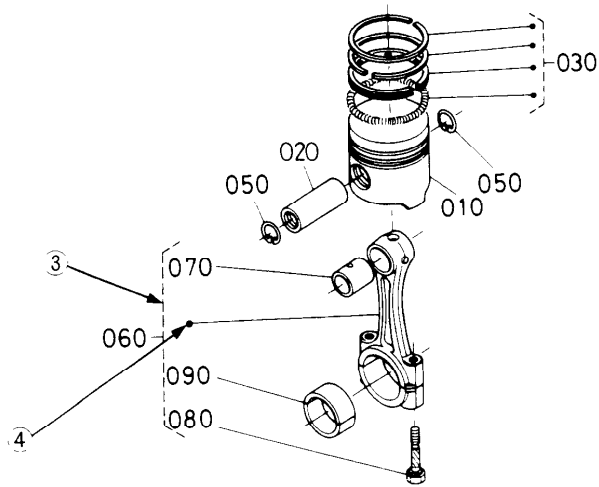
ENGINE	
MODEL	CODE No.
V1505-E2B-BROOKS-1	1G994-27000

INSTRUCTIONS

①
↓
0102 PISTON AND CRANKSHAFT


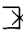

⑪ ②
↓ ↓
[B] B02-R

⑩ → S.No. ; A: ≤15000, B: 14000 to 15000



REF. No	PART No.	PART NAME	Q'TY/S.No.		I.C.	REMARKS
			A	B		
010	15800-0000-0	PISTON	~15000	~15000	←	[Example-1]
010	15800-0000-2	PISTON	15001~	15001~	→	
020	15800-1000-0	PIN,PISTON	~15000	~15000	←	[Example-2]
020	15800-1000-2	PIN,PISTON	15001~	15001~	→	
030	15800-2000-0	ASSY PISTON RING	~15000	~15000	←	
030	15830-2000-0	ASSY PISTON RING	15001~	15001~	→	[Example-3]

A:XXXX, B:XXXX

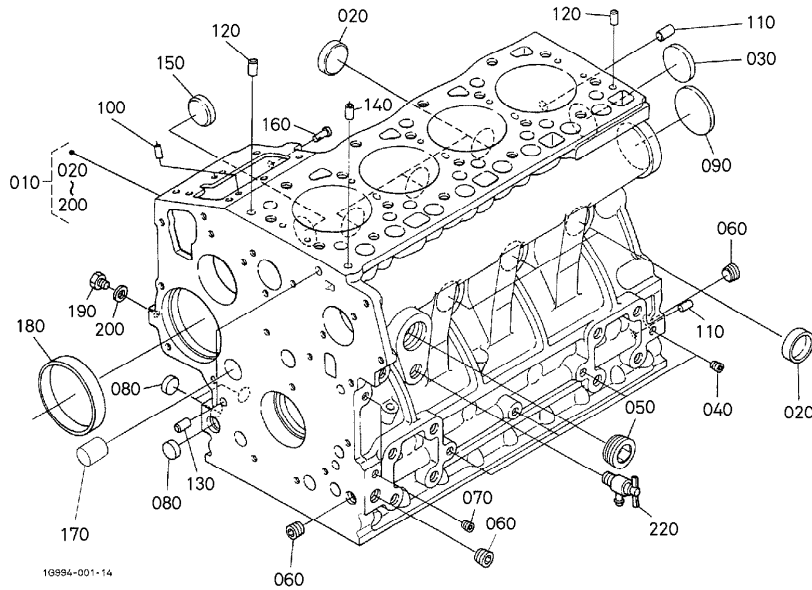
- ① Fig. No. Represents No. corresponding to each group name.
- ② L. No. Substitute for conventional page numbering. Left-hand pages of the parts list are numbered in **XXX-L**, and the right-hand pages in **XXX-R**.
The location No. are also used in numerical index at the end of parts list.
- ③ Components The components of an assembly are identified by a bracket of dotted lines.
- ④ Point Indicates that the parts is not sold independently.
The assembly (Ref.No.060) containing the part needs to be ordered.
- ⑤ REF. No. Reference numbers are assigned to parts in the illustration. The code number of a part in the illustration can be identified by referring to the same reference number in the parts list.
- ⑥ Model name The name of the basic model is indicated in this column. Other applicable models are indicated on the "REMARKS" column ⑨.
- ⑦ S. No. Indicates a group of serial numbers to which a design change is applied.
(serial No.)
- ⑧ I. C. Indicates the interchangeability of parts due to design change.
(interchangeability)
- Example-1  indicates that a new part can replace an old part, but not vice versa.
15800-0000-0 is applicable to the first serial number to S. No. 15000.
15800-0000-2 is applicable to the first serial number and above.
- Example-2  indicates that the new and old parts are not interchangeable.
15800-1000-0 is applicable to the first serial number to S. No. 15000.
15800-1000-2 is applicable to S. No. 15001 and above.
- Example-3  indicates that the new and old parts are interchangeable.
Both 15800-2000-0 and 15830-2000-0 are applicable to the first serial number and above.
- ⑨ REMARKS 1 In this column, enter other applicable model names, dimensions and other special items.
The following symbols and abbreviations are used throughout this book.
29*12.00-15 Tire size
sq.m m² sq.mm mm²
cu.m m³ cu.mm mm³
D Diameter L Length
- ⑩ REMARKS 2 The following expressions are used in NOTE for each group.
Machines' serial numbers are indicated as follows.
<=15000 Serial number below 15000.
>=15001 Serial number above 15001.
14000 to 15000 Serial number 14000 to 15000.
For some models, the above expressions may also be used REMARKS 1 ⑨.
- ⑪ Specifications The types and destinations of sister models are indicated. These indications are given to tell their relevant pages in this book.
(for sister models)

CONTENTS

[V1505-E2B-BROOKS-1]

0001	CRANKCASE	1
0002	OIL PAN	2
0003	CYLINDER HEAD	3
0004	GEAR CASE	4
0005	HEAD COVER	5
0006	OIL FILTER	6
0007	DIPSTICK AND GUIDE	7
0100	MAIN BEARING CASE	8
0101	CAMSHAFT AND IDLE GEAR SHAFT	9
0102	PISTON AND CRANKSHAFT	10
0103	FLYWHEEL	12
0105	FUEL CAMSHAFT AND GOVERNOR SHAFT	13
0180	IDLE APPARATUS	14
0201	STOP SOLENOID	15
0202	INJECTION PUMP	16
0204	GOVERNOR	17
0205	SPEED CONTROL PLATE	18
0206	NOZZLE HOLDER AND GLOW PLUG	19
0207	NOZZLE HOLDER (COMPONENT PARTS)	20
0300	FUEL FILTER	21
0301	FUEL PUMP (MECHANICAL)	22
0402	ALTERNATOR AND PULLEY	23
0403	ALTERNATOR (COMPONENT PARTS)	24
0404	STARTER	25
0405	STARTER (COMPONENT PARTS)	26
0406	PLUG	27
0500	WATER FLANGE AND THERMOSTAT	28
0501	WATER PUMP	29
0503	WATER PIPE	30
0504	FAN	31
0505	RESERVE TANK	32
0600	VALVE AND ROCKER ARM	33
0601	INLET MANIFOLD	34
0602	EXHAUST MANIFOLD	35
0605	MUFFLER	36
0809	LABEL AND OPERATOR'S MANUAL	37
■	NUMERICAL INDEX	38

0001 CRANKCASE



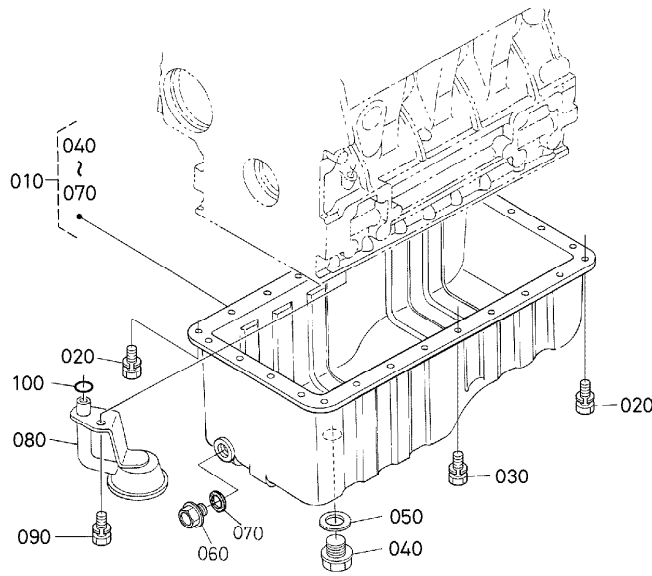
10994-001-14

A:V1505-E2B-BROOKS-1

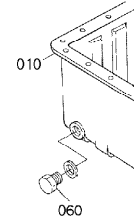
REF. No.	PART No.	PART NAME	Q' TY/S. No.		I. C.	REMARKS
			A	B		
010	1G092-0101-0	COMP. CRANKCASE	1	-		
010	1G698-0101-0	COMP. CRANKCASE	≤=420548	-		
010	1G698-0101-2	COMP. CRANKCASE	>=5A000J	-	≠	
010	1G090-0101-2	COMP. CRANKCASE	>=5.000J	-	←	
020	15451-9627-0	CAP, SEAL ING	>=8A000J	-	↔ #	
030	15221-0349-0	CAP, SEAL ING	1	-		
040	15261-9601-0	PLUG	4	-		
050	16683-9602-0	PLUG	1	-		
060	16241-9601-0	PLUG	3	-		
070	15521-9602-0	PLUG	2	-		
080	17391-9616-0	PLUG, EXPANSION	3	-		
090	16271-9616-0	PLUG, EXPANSION	1	-		
100	05012-00508	PIN, STRAIGHT	2	-		
110	05012-00814	PIN, STRAIGHT	2	-		
120	16221-9452-0	PIN, STRAIGHT	2	-		
130	15231-3396-0	PIN, PIPE	2	-		
140	16241-3365-0	PIN, PIPE	1	-		
150	16241-9626-2	PLUG	1	-		
160	16221-5628-0	PIN, START SPRING	1	-		
170	16282-9601-0	PLUG	1	-		
180	16271-5535-0	BUSH, GOVERNOR GEAR	1	-		
190	15221-3361-0	PLUG	1	-		
200	15021-3366-0	GASKET	1	-		
210	-	BLANK	-	-		
220	15841-7302-0	ASSY COCK, DRAIN	1	-		

↔ Interchangeable: ≠ not interchangeable: ← new for old: → old for new

0002 OIL PAN



OLD PART



16616-002-18

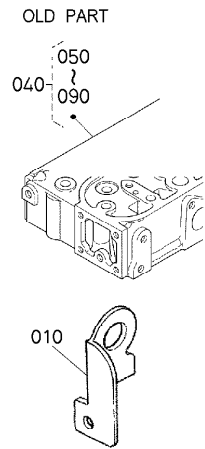
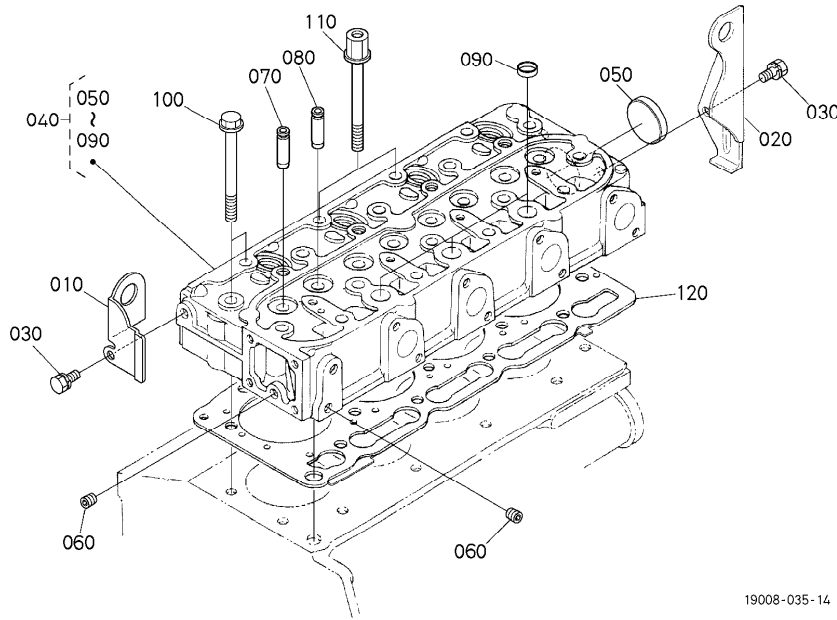
16616-818-11

A: V1505-E2B-BROOKS-1

REF. No.	PART No.	PART NAME	Q' TY/S. No.		I. C.	REMARKS
			A	B		
010	16616-0150-0	COMP. OIL PAN	1	-		
010	16616-0160-0	KIT OIL PAN	<=5H9999	-		
020	01023-50614	BOLT	>=5J0001	-	←	
030	01023-50612	BOLT	>=8A0001	-	#	
030	01023-50614	BOLT	<=5H9999	-	#	
030	01023-50614	BOLT	>=5J0001	-	≠	
030	01023-50614	BOLT	>=5J0001	-	#	
040	16286-3375-0	PLUG, DRAIN	1	-		
050	15451-9667-0	GASKET	<=5H9999	-		
050	16265-9667-0	GASKET	>=5J0001	-	≠	
060	15221-3375-0	PLUG	<=4K9999	-		
060	16326-3375-0	PLUG, DRAIN	>=4L0001	-	↔	
070	6C090-5896-0	GASKET	1	-		
080	16226-3211-0	FILTER, OIL	<=5X9999	-		
080	16226-3211-4	FILTER, OIL	>=5Y0001	-	←	
090	01123-60816	BOLT	1	-		
100	04814-00160	O RING	1	-		

↔ Interchangeable: ≠ not interchangeable: ← new for old: → old for new

0003 CYLINDER HEAD



19008-035-14

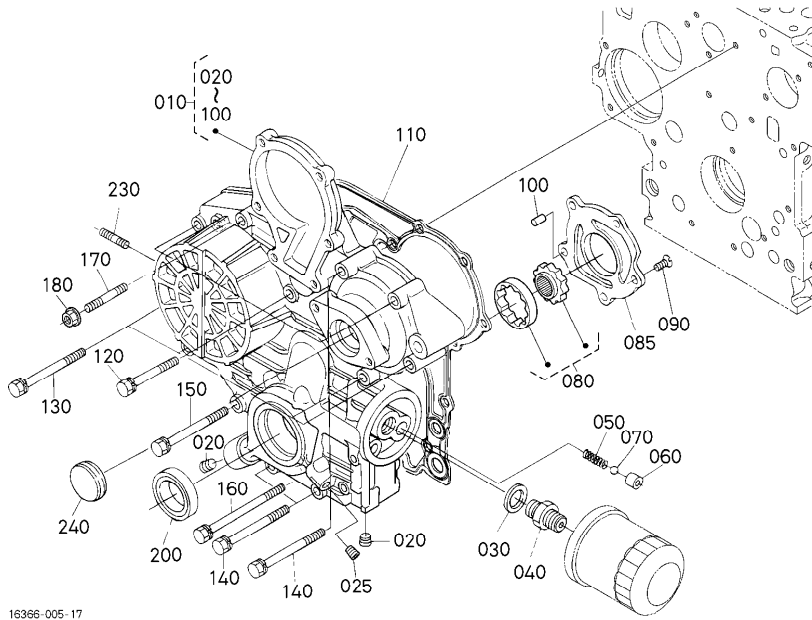
1G347-823-11

A: V1505-E2B-BROOKS-1

REF. No.	PART No.	PART NAME	Q' TY/S. No.		I. C.	REMARKS
			A	B		
010	16241-0175-0	HOOK, ENGINE	1	-		#
010	16241-0175-3	HOOK, ENGINE	<=7Y2999	-		#
020	16241-0177-0	HOOK, ENGINE	>=7W0001	-	←	
030	01123-60814	BOLT	2	-		
040	16394-0304-0	COMP. CYLINDER HEAD	1	-		
040	1G092-0304-2	COMP. CYLINDER HEAD	<=6V9999	-		
040	1G092-0304-3	COMP. CYLINDER HEAD	>=6W0001	-	←	
040	1G092-0304-4	ASSY CYLINDER HEAD	>=7A0001	-	←	
050	15321-9626-0	CAP, SEALING	1	-		
060	15261-9601-0	PLUG	2	-		
070	16261-1354-0	GUIDE, INLET VALVE	4	-		
080	16261-1356-0	GUIDE, EXHAUST VALVE	4	-		
090	15261-0337-0	CAP, SEALING	3	-		
100	16241-0345-0	BOLT, CYLINDER HEAD	14	-		
110	16271-0345-0	BOLT, CYLINDER HEAD	4	-		
120	16394-0331-0	GASKET, CYLINDER HEAD	1	-		

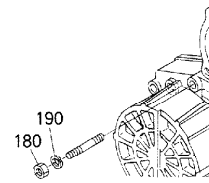
↔ Interchangeable: ≠ not interchangeable: ← new for old: → old for new

0004 GEAR CASE



16366-005-17

OLD PART



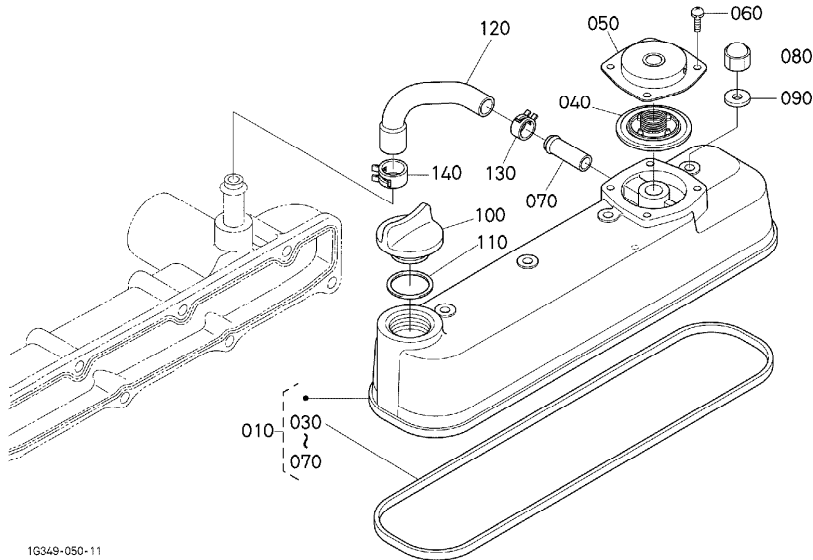
16366-810-10

A: V1505-E2B-BROOKS-1

REF. No.	PART No.	PART NAME	Q' TY/S. No.		I. C.	REMARKS
			A	B		
010	16251-0402-7	COMP. CASE, GEAR	1	-	↔	
010	16252-0402-0	COMP. CASE, GEAR	≤509999	-	↔	
010	16252-0402-2	COMP. CASE, GEAR	≥5E000J	-	↔	
020	16241-9602-0	PLUG	2	-	←	
025	15521-9602-0	PLUG	1	-		
030	04011-50180	WASHER, PLAIN	1	-		
040	15241-3229-0	JOINT, PIPE	1	-		
050	16241-3695-0	SPRING	1	-		
060	16241-3693-0	SEAT, VALVE	1	-		
070	07715-00201	BALL	1	-		
080	16241-3507-0	ASSY ROTOR, OIL PUMP	1	-		
085	16251-3513-0	COVER, OIL PUMP	1	-		
090	03017-50620	SCREW, CR-REC-BD-HD	5	-		
100	05012-00410	PIN, STRAIGHT	2	-		
110	16264-0413-2	GASKET, GEAR CASE	1	-	#	
120	01023-50645	BOLT	3	-		
130	01023-60650	BOLT	4	-		
140	01023-50655	BOLT	4	-		
150	01023-50665	BOLT	1	-		
160	16241-9104-0	BOLT	1	-		
170	16245-9153-0	STUD	1	-		
180	02056-50060	NUT	1	-	#	
180	02751-50060	NUT, FLANGE	≥7W000J	-	←	#
190	04512-60060	WASHER, SPRING	1	-	#	
200	16241-0421-2	SEAL, OIL	1	-		
210	---	BLANK	-	-		
220	---	BLANK	-	-		
230	16245-9154-0	STUD	2	-		
240	16264-8334-2	COVER, GEAR CASE	1	-		

↔ Interchangeable: ≠ not interchangeable: ← new for old: → old for new

0005 HEAD COVER



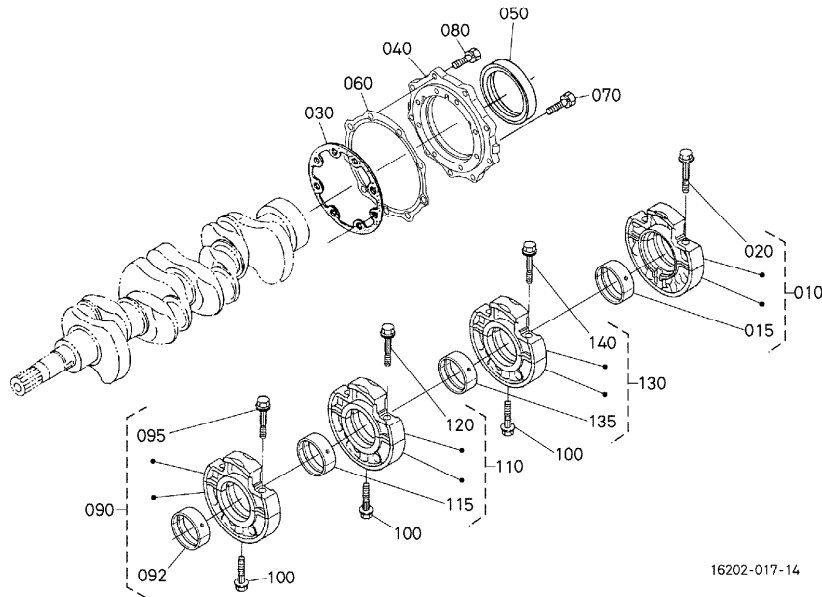
1G349-050-11

A:V1505-E2B-BROOKS-1

REF. No.	PART No.	PART NAME	Q' TY/S. No.		I. C.	REMARKS
			A	B		
010	1G072-1450-0	ASSY COVER, CYL. HEAD	1	-		
010	1G072-1450-3	ASSY COVER, CYL. HEAD	≤4M0019	-		
010	1G072-1450-4	ASSY COVER, CYL. HEAD	≥4N0001	-	←	
010	1G072-1450-6	ASSY COVER, CYL. HEAD	≥5G0001	-	←	
020	---	BLANK	-	-		#
030	16241-1452-0	GASKET, HEAD COVER	1	-		
040	1G911-0520-0	COMP. VALVE, BREATHER	≤4M0019	-		
040	1G911-0520-2	COMP. VALVE, BREATHER	≥4N0001	-	←	
040	1G911-0520-3	COMP. VALVE, BREATHER	≥5G0001	-	←	
050	1G911-0512-0	COVER, BREATHER	≤5F9999	-		
050	1G801-0512-0	COVER, BREATHER	1	-	↔	
060	03054-50510	SCREW, PAN-HEAD	4	-		
060	03024-50510	SCREW, WITH WASHER	≤5V9999	-		
070	17331-7334-2	PIPE, WATER RETURN	4	-	←	
080	15952-9233-0	NUT	1	-		
090	15951-9666-0	GASKET	4	-		
100	E9151-3314-0	PLUG, OIL FILLER	1	-		
110	04814-50300	O RING	1	-		
120	1G032-0551-0	TUBE, BREATHER	1	-		
130	09318-88150	CLAMP, HOSE	1	-		
140	16259-0558-0	CLAMP, HOSE	1	-		

↔ Interchangeable: ≠ not interchangeable: ← new for old: → old for new

0100 MAIN BEARING CASE

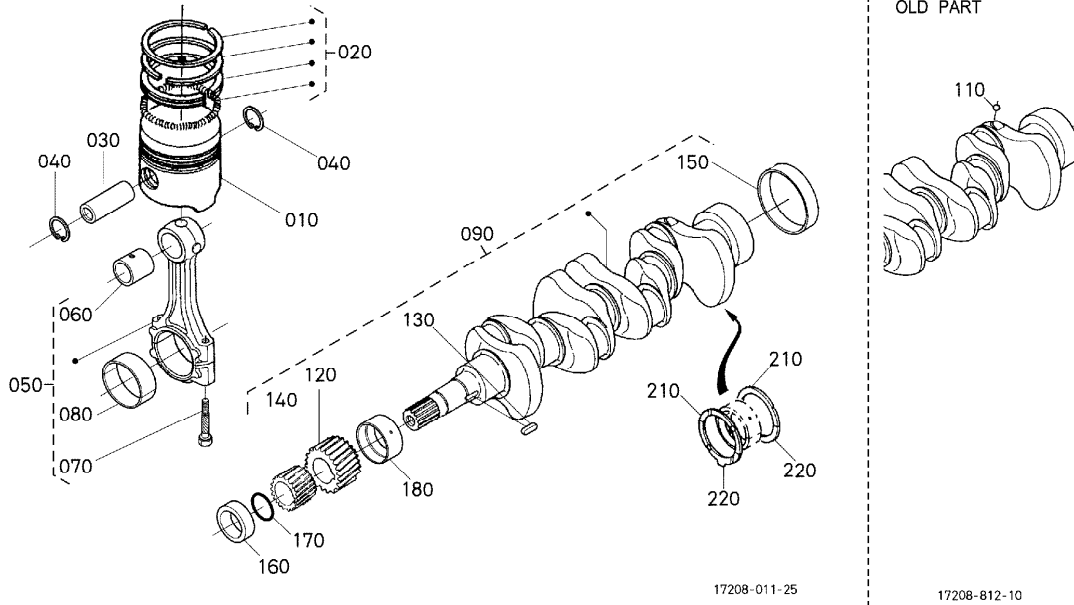


A: V1505-E2B-BROOKS-1

REF. No.	PART No.	PART NAME	Q' TY/S. No.		I. C.	REMARKS
			A	B		
010	16292-0709-3	ASSY BRG. CASE, WHEEL	1	-	#	
010	16292-0709-5	ASSY BRG. CASE, WHEEL	<=6K9999	-	←	#
015	16292-2349-0	METAL, CRANKSHAFT	>=6L0001	-	←	STD SET
015	16292-2349-3	METAL, CRANKSHAFT	<=5X9999	-	←	STD SET
015	16292-2349-4	METAL, CRANKSHAFT	>=5Y0001	-	←	#STD SET
015	16292-2386-0	METAL, CRANKSHAFT	<=5X9999	-		-0.20mm SET
015	16292-2386-3	METAL, CRANKSHAFT	>=5Y0001	-	←	-0.20mm SET
015	16292-2386-4	METAL, CRANKSHAFT	>=6L0001	-	←	#-0.20mm SET
015	16292-2387-0	METAL, CRANKSHAFT	<=5X9999	-		-0.40mm SET
015	16292-2387-3	METAL, CRANKSHAFT	>=5Y0001	-	←	-0.40mm SET
015	16292-2387-4	METAL, CRANKSHAFT	>=6L0001	-	←	#-0.40mm SET
020	16241-0454-0	BOLT, BEARING CASE	2	-		
030	16264-0436-0	GASKET, BRG. CASE	1	-		
040	16241-0481-3	COVER, BEARING CASE	<=6K9999	-	#	
040	16241-0481-5	COVER, BEARING CASE	>=6L0001	-	≠#	
050	16241-0446-0	SEAL, OIL	<=5Y9999	-		
050	16285-0446-0	SEAL, OIL	>=5W0001	-	←	
060	16264-0482-0	GASKET	<=6K9999	-	#	
060	16264-0482-2	GASKET, CASE COVER	>=6L0001	-	≠#	
070	01023-50625	BOLT	8	-		
080	01023-50620	BOLT	9	-		
090	16261-0704-0	ASSY BRG. CASE, MAIN	1	-	#	
090	16261-0704-5	ASSY BRG. CASE, MAIN	<=6K9999	-	←	#
092	16241-2348-0	METAL, CRANKSHAFT	1	-		STD SET
092	16241-2393-0	METAL, CRANKSHAFT	1	-		-0.20mm SET
092	16241-2394-0	METAL, CRANKSHAFT	1	-		-0.40mm SET
095	16241-0454-0	BOLT, BEARING CASE	2	-		
100	16241-0456-0	BOLT, BEARING CASE	3	-		
110	16261-0705-0	ASSY BRG. CASE, MAIN	1	-	#	
110	16261-0705-5	ASSY BRG. CASE, MAIN	<=6K9999	-	←	#
			>=6L0001	-	←	#

↔ Interchangeable: ≠ not interchangeable: ← new for old: → old for new

0102 PISTON AND CRANKSHAFT

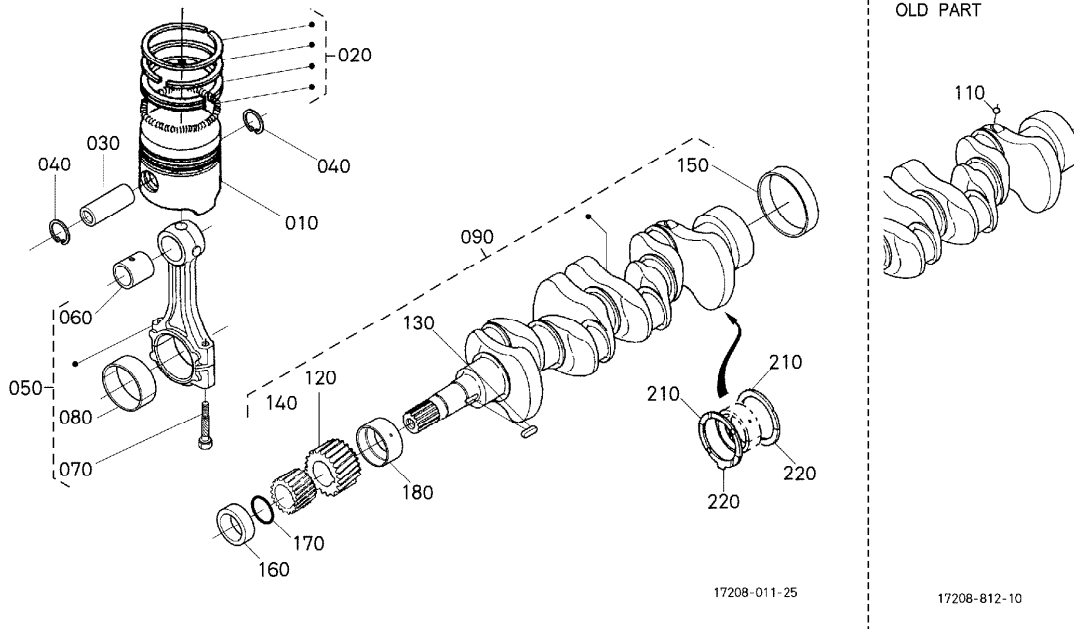


A: V1505-E2B-BROOKS-1

REF. No.	PART No.	PART NAME	Q' TY/S. No.		I. C.	REMARKS
			A	B		
010	16060-2111-0	PISTON	4	-		#STD ORDER BY 010, 020 NEW PARTS (SET)
010	16060-2111-3	PISTON	4	-	≠	STD
010	16060-2111-4	PISTON	4	-	←	STD
010	16060-2191-0	PISTON	4	-		#+0.50mm ORDER BY 010, 020 NEW PARTS (SET)
010	16060-2191-3	PISTON	4	-	≠	+0.50mm
010	16060-2191-4	PISTON	4	-	←	+0.50mm
020	16261-2105-0	ASSY PISTON RING	4	-		STD
020	16292-2105-0	ASSY PISTON RING	4	-	≠	STD
020	16261-2109-0	ASSY PISTON RING	4	-		+0.50mm
020	16292-2109-0	ASSY PISTON RING	4	-	≠	+0.50mm
030	16241-2131-0	PIN, PISTON	4	-		
040	16241-2133-0	CIR CLIP, PISTON PIN	8	-		
050	16241-2201-2	ASSY ROD, CONNECTING	4	-		
050	16700-2201-0	ASSY ROD, CONNECTING	4	-	↔	
060	16241-2198-2	BUSH, PISTON PIN	4	-		#
060	16700-2198-0	BUSH, PISTON PIN	4	-	←	#
070	16241-2214-2	BOLT, CONNECTING ROD	8	-	↔	
080	16241-2231-0	METAL, CRANKPIN	4	-		STD SE
080	16241-2297-0	METAL, CRANKPIN	4	-		-0.20mm SET
080	16241-2298-0	METAL, CRANKPIN	4	-		-0.40mm SET
090	16282-2301-3	COMP. CRANKSHAFT	1	-		
100		BLANK	-	-		
110	07715-00401	BALL	4	-		#
120	16241-2411-0	GEAR, CRANK	1	-		
130	16271-9523-0	KEY	1	-		
140	16241-3563-0	GEAR, OIL PUMP DRIVE	1	-		
150	16241-2328-0	SLEEVE, CRANKSHAFT	1	-		
160	16241-2325-0	COLLAR, CRANKSHAFT	1	-		
170	04814-10280	RING	1	-		
180	16241-2347-0	METAL, CRANKSHAFT	1	-		STD

↔ Interchangeable: ≠ not interchangeable: ← new for old: → old for new

0102 PISTON AND CRANKSHAFT



17208-011-25

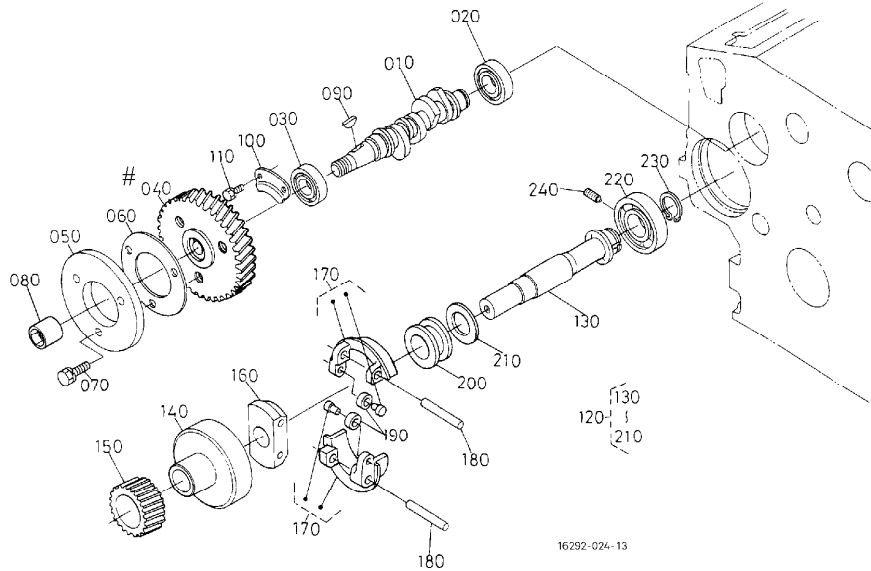
17208-812-10

A: V1505-E2B-BROOKS-1

REF. No.	PART No.	PART NAME	Q' TY/S. No.		I. C.	REMARKS
			A	B		
180	16241-2391-0	METAL, CRANKSHAFT	1	-		-0.20mm
180	16241-2392-0	METAL, CRANKSHAFT	1	-		-0.40mm
190	----	BLANK	-	-		
200	----	BLANK	-	-		
210	15521-2353-0	METAL, SIDE	2	-		STD
210	15521-2395-0	METAL, SIDE	2	-		+0.20mm
210	15521-2396-0	METAL, SIDE	2	-		+0.40mm
220	19202-2354-0	METAL, SIDE	2	-		STD
220	19202-2397-0	METAL, SIDE	2	-		+0.20mm
220	19202-2398-0	METAL, SIDE	2	-		+0.40mm

↔ Interchangeable; ≠ not interchangeable; ← new for old; → old for new

0105 FUEL CAMSHAFT AND GOVERNOR SHAFT



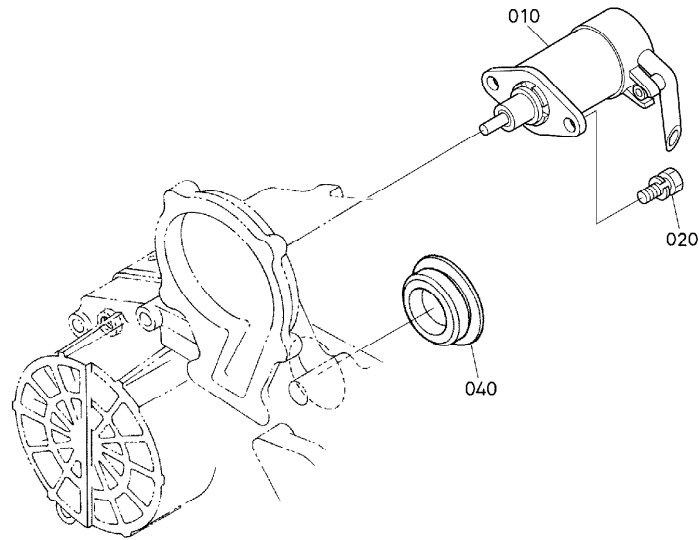
16292-024-13

A: V1505-E2B-BROOKS-1

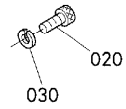
REF. No.	PART No.	PART NAME	Q' TY/S. No.		I. C.	REMARKS
			A	B		
010	16040-1617-0	CAMSHAFT, FUEL	1	-		
020	16261-9730-0	BEARING, BALL	1	-		
030	16261-9731-0	BEARING, BALL	1	-		
040	1G065-5115-0	GEAR, INJECTION PUMP	1	-		
050	16241-5111-3	CAM, FUEL	1	-		
060	16241-5119-0	WASHER	1	-		
070	01023-50618	BOLT	3	-		
080	16241-9233-0	NUT	1	-		
090	16241-9523-0	KEY, WOODRUFF	1	-		
100	16241-1632-0	STOPPER, FUEL. C/SHAFT	1	-		
110	01023-50616	BOLT	2	-		
120	16282-5501-3	ASSY SHAFT, GOVERNOR	1	-		
130	16271-5531-3	SHAFT, GOVERNOR	1	-		
140	16241-5539-2	HOLDER, GOVERNOR GEAR	1	-		
150	16282-5532-0	GEAR, GOVERNOR	1	-		
160	16241-5527-0	HOLDER, GOV. WEIGHT	1	-		
170	16241-5506-2	COMP. WEIGHT, GOVERNOR	2	-		
180	16241-5526-0	SHAFT, GOV. WEIGHT	2	-		
190	19484-5544-0	ROLLER	2	-		
200	16241-5545-0	SLEEVE, GOVERNOR	1	-		
210	16241-5546-3	WASHER, THRUST	1	-		
220	16261-9732-0	BEARING, BALL	1	-		
230	16271-5541-0	CIR CLIP, GOV. SHAFT	1	-		
240	16241-5555-4	SCREW, SET	1	-		

↔ Interchangeable: ≠ not interchangeable: ← new for old: → old for new

0201 STOP SOLENOID



OLD PART



1G650-005-12

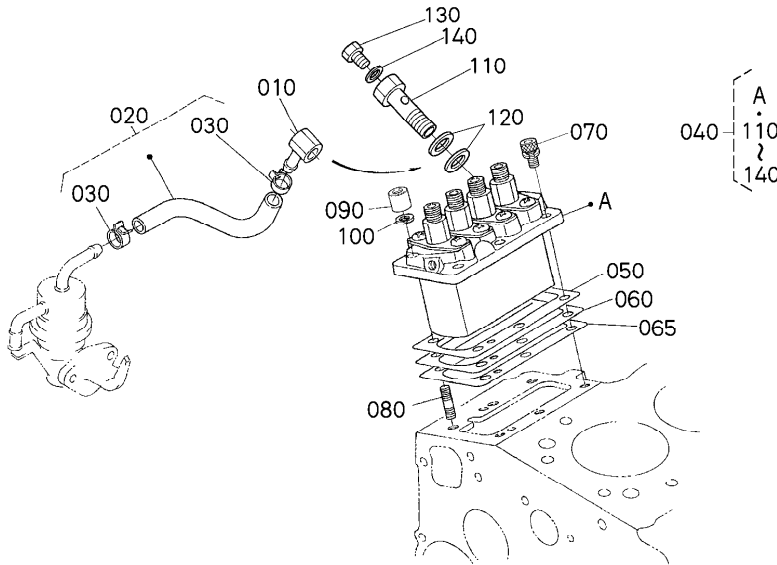
1G996-811-10

A:V1505-E2B-BROOKS-1

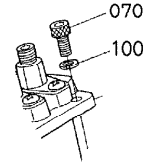
REF. No.	PART No.	PART NAME	Q' TY/S. No.		I. C.	REMARKS
			A	B		
010	17208-6001-0	ASSY SOLENOID, STOP	1	-	#	
010	17208-6001-5	ASSY SOLENOID, STOP	<=6X9999	-	←	
020	01311-10614	BOLT, HEX-SOC-HD	2	-	#	
020	01202-50614	BOLT	<=6Z9999	-	←	
030	04512-60060	WASHER, SPRING	2	-	#	
040	16264-8315-2	COVER, HYDRAULIC PUMP	1	-		
040	16264-8315-3	COVER, HYDRAULIC PUMP	<=5T9999	-	←	
			>=5U0001	-		

↔ Interchangeable: ≠ not interchangeable: ← new for old: → old for new

0202 INJECTION PUMP



OLD PART



16615-011-18

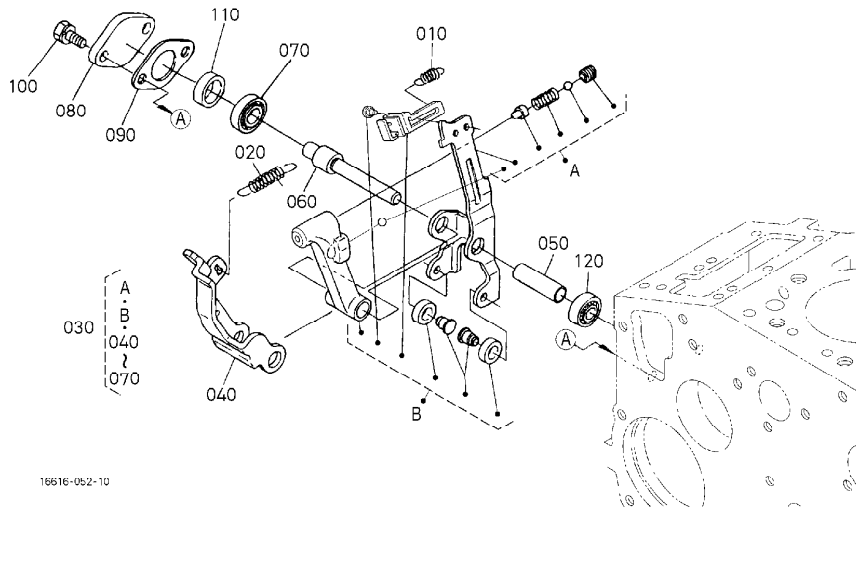
16625-808-10

A: V1505-E2B-BROOKS-1

REF. No.	PART No.	PART NAME	Q' TY/S. No.		I. C.	REMARKS
			A	B		
010	16241-9569-0	JOINT, EYE	1	-		
020	16241-4201-0	ASSY PIPE, FUEL	1	-		
030	14911-4275-0	CLIP, PIPE	2	-		
040	16060-5101-0	ASSY PUMP, INJECTION	1	-		
050	16040-5220-0	SHIM, INJECTION PUMP	1	-		0. 175mm
050	16040-5209-2	SHIM, INJECTION PUMP	1	-		0. 200mm
060	16040-5211-2	SHIM, INJECTION PUMP	1	-		0. 250mm
060	16040-5212-2	SHIM, INJECTION PUMP	1	-		0. 300mm
065	16040-5216-0	SHIM, INJECTION PUMP	1	-		0. 350mm
070	01311-10620	BOLT, HEX-SOC-HD	3	-		#
070	16871-9106-0	BOLT, HEX-SOC-HD	3	-	←	#
080	15841-9150-0	STUD	3	-		
090	15841-9232-0	NUT	3	-		
100	04512-60060	WASHER, SPRING	6	-		#
100	04512-60060	WASHER, SPRING	3	-		#
110	16030-5132-0	BOLT, JOINT	1	-		
120	15841-9665-0	GASKET	2	-		
130	15841-5135-0	SCREW	1	-		
140	15841-9666-0	GASKET	1	-		

↔ Interchangeable: ≠ not interchangeable: ← new for old: → old for new

0204 GOVERNOR



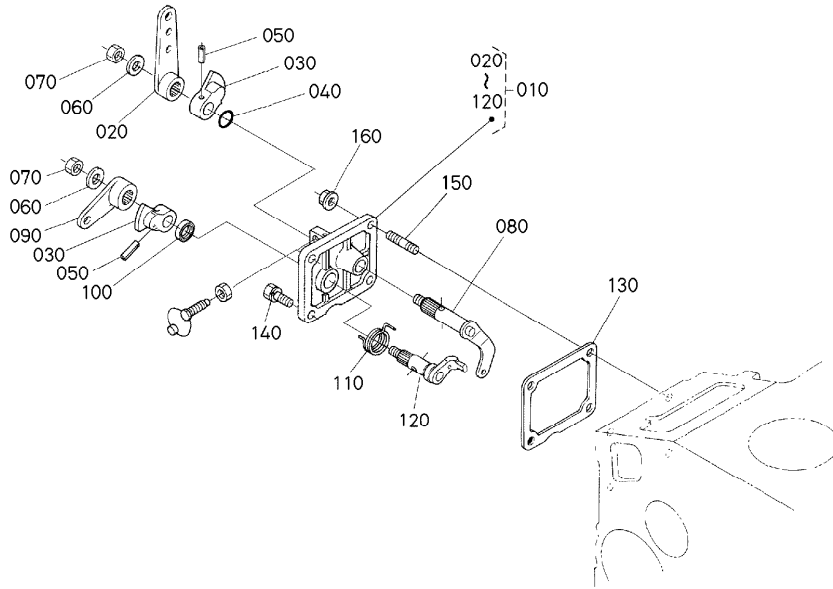
16616-062-10

A: V1505-E2B-BROOKS-1

REF. No.	PART No.	PART NAME	Q' TY/S. No.		I. C.	REMARKS
			A	B		
010	16271-5648-0	SPRING, START	1	-		
020	1G043-5641-0	SPRING, GOVERNOR	1	-		
030	16217-5601-4	ASSY LEVER, FORK	1	-		
040	1G032-5613-0	LEVER, FORK	1	-		#
050	1G032-5615-0	SHAFT, FORK LEVER	1	-		#
060	1G032-5647-0	SHAFT, FORK LEVER	1	-		#
070	16241-5633-0	BEARING, MINIATURIZE	1	-		#
080	16241-5625-0	COVER, FORK LEV. SHAFT	≤6D9999	-		#
080	16241-5625-3	COVER, FORK LEV. SHAFT	≥6E000J	-	≠	#
090	16299-5626-0	GASKET	1	-		#
100	01023-50614	BOLT	2	-		#
100	01023-50612	BOLT	2	-	≠	#
110	16241-5621-0	COLLAR	1	-		#
120	16241-5634-0	BEARING, MINIATURIZE	1	-		#

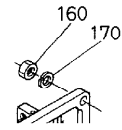
↔ Interchangeable: ≠ not interchangeable: ← new for old: → old for new

0205 SPEED CONTROL PLATE



1G994-059-10

OLD PART



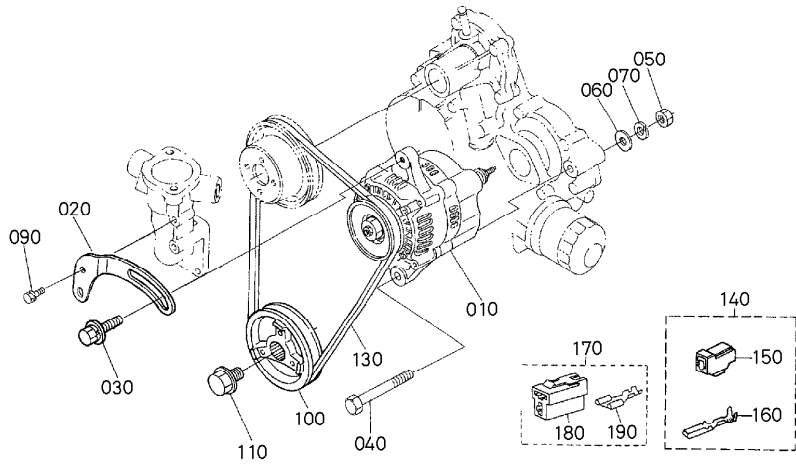
16614-812-10

A:V1505-E2B-BROOKS-1

REF. No.	PART No.	PART NAME	Q' TY/S. No.		I. C.	REMARKS
			A	B		
010	16299-5701-5	ASSY PLATE, CONTROL	1	-		
020	16271-5715-0	LEVER, SPEED CONTROL	1	-		
030	16241-5716-0	LEVER, SPEED CONTROL	2	-		
040	04814-00100	O RING	1	-		
050	05411-00420	PIN, SPRING	2	-		
060	16241-9402-0	WASHER, PLAIN	2	-		
070	16241-9202-0	NUT	2	-		
080	16271-5602-3	COMP. LEVER, GOVERNOR	1	-		
090	16271-5772-0	LEVER, ENGINE STOP	1	-		
100	15471-5798-0	SEAL, OIL	1	-		
110	16222-5751-0	SPRING, RETURN	1	-		
120	16271-5774-0	SHAFT, STOP LEVER	1	-		
130	16264-5721-0	GASKET	1	-		
140	01023-50616	BOLT	2	-		
150	16245-9154-0	STUD	2	-		
160	02056-50060	NUT	2 ≤=172999	-		#
160	02751-50060	NUT, FLANGE	2 ≥=700001	-	←	#
170	04512-60060	WASHER, SPRING	2 ≤=702999	-		#

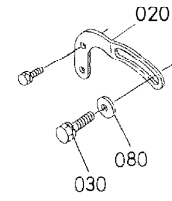
↔ Interchangeable: ≠ not interchangeable: ← new for old: → old for new

0402 ALTERNATOR AND PULLEY



16292-006-22

OLD PART



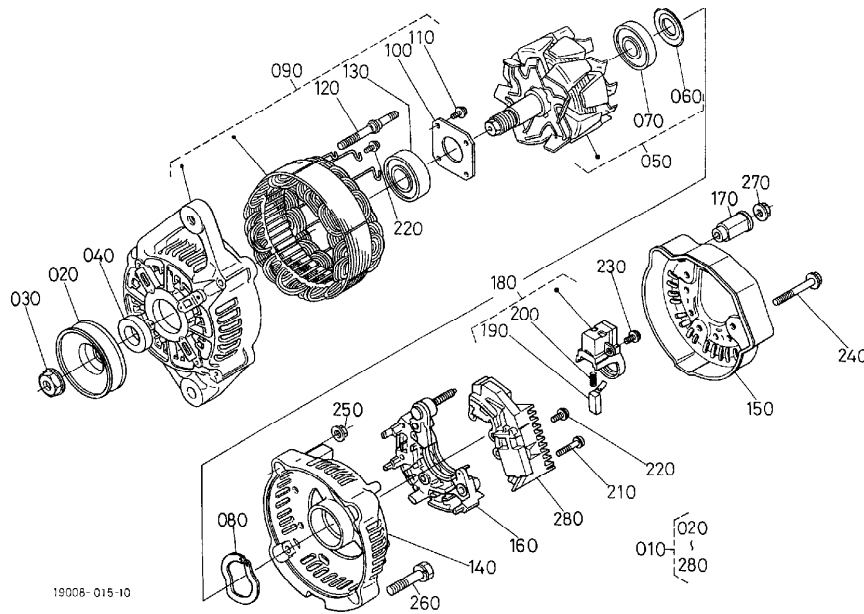
1G904-809-10

A: V1505-E2B-BROOKS-1

REF. No.	PART No.	PART NAME	Q' TY/S. No.		I. C.	REMARKS
			A	B		
010	16241-6401-2	ASSY ALTERNATOR	1	-		12V 40A
020	16241-6442-0	STAY, DYNAMO		-		#
020	16241-6442-2	STAY, DYNAMO	<=6M9999	-		#
030	01123-50830	BOLT	>=6N000J	-	←	
030	01127-50830	BOLT	<=4E9526	-		
040	01173-51085	BOLT	>=4G0001	-	←	
050	02176-50100	NUT	1	-		
060	04011-50100	WASHER, PLAIN	1	-		
070	04512-60100	WASHER, SPRING	1	-		
080	04015-60080	WASHER, PLAIN	<=4E9526	-		
090	01023-50616	BOLT	1	-		
100	16249-7428-0	PULLEY, FAN DRIVE	1	-		
110	16241-9102-0	BOLT, FAN DRIVE	1	-		
120	---	BLANK	1	-		
130	16282-9701-0	V BELT	1	-		37.5in
140	1C010-6583-0	ASSY COUPLER	1	-		
150	1C010-6588-0	CONNECTOR	1	-		
160	1C010-6591-0	TERMINAL	2	-		
170	19838-6583-0	ASSY COUPLER	1	-		
180	19872-6588-0	CONNECTOR	1	-		
190	19237-6591-0	TERMINAL	2	-		

↔ Interchangeable: ≠ not interchangeable: ← new for old: → old for new

0403 ALTERNATOR (COMPONENT PARTS)



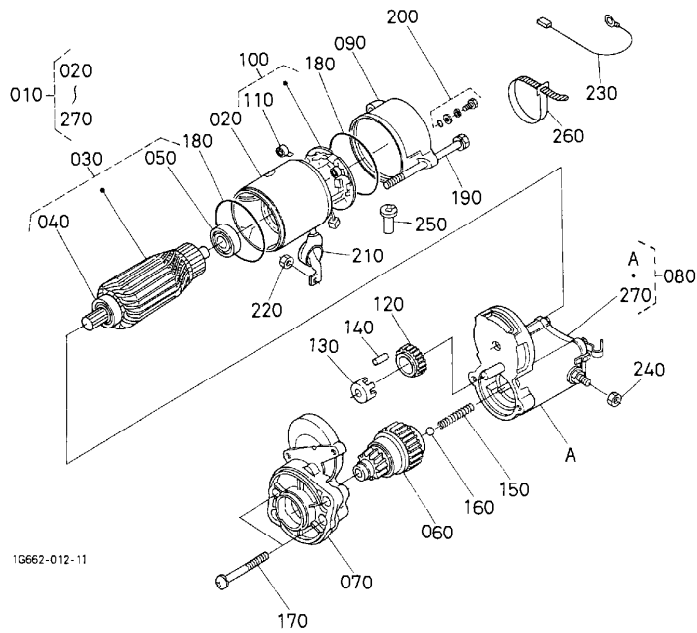
19008-015-10

A:V1505-E2B-BROOKS-1

REF. No.	PART No.	PART NAME	Q' TY/S. No.		I. C.	REMARKS
			A	B		
010	16241-6401-2	ASSY ALTERNATOR	1	-		
020	15881-6411-0	PULLEY, DYNAMO	1	-		
030	15881-9201-0	NUT	1	-		
040	15881-6415-0	COLLAR	1	-		
050	66436-6404-0	ROTOR	1	-		
060	15881-6480-0	COVER, BEARING	1	-		
070	16652-6477-0	BEARING, BALL	1	-		
080	15881-6481-0	WASHER, THRUST	1	-		
090	66436-6402-0	FRAME, DRIVE END	1	-		
100	15881-6471-0	PLATE, RETAINER	1	-		
110	15881-9301-0	SCREW, ROUND HEAD	4	-		
120	15881-6426-0	BOLT, THROUGH	2	-		
130	16652-6478-0	BEARING, BALL	1	-		
140	16231-6406-0	FRAME, END	1	-		
150	16231-6423-0	COVER, END	1	-		
160	16231-6485-0	ASSY RECTIFIER	1	-		
170	16241-6490-0	BUSH, INSULATION	1	-		
180	16652-6431-0	HOLDER, BRUSH	1	-		
190	15881-6409-0	BRUSH	2	-		
200	15881-6433-0	SPRING, BRUSH	2	-		
210	15881-9302-0	SCREW, ROUND HEAD	2	-		
220	15881-9303-0	SCREW, ROUND HEAD	6	-		
230	15881-9304-0	SCREW, ROUND HEAD	1	-		
240	15881-9104-0	BOLT	3	-		
250	15881-9202-0	NUT	2	-		
260	15881-9105-0	BOLT	2	-		
270	14182-9203-0	NUT	1	-		
280	1K531-6460-0	ASSY REGULATOR	1	-		

↔ Interchangeable: ≠ not interchangeable: ← new for old: → old for new

0405 STARTER (COMPONENT PARTS)

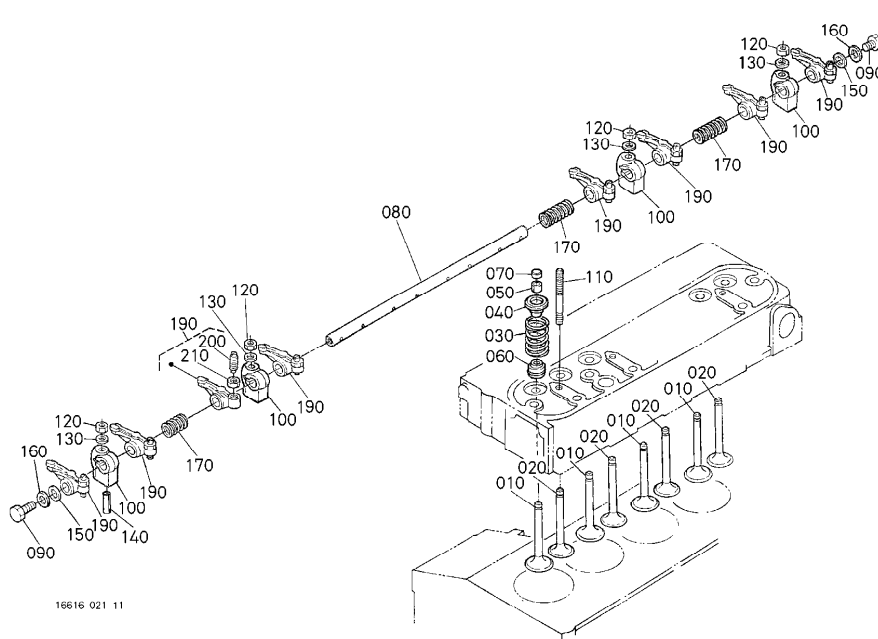


A: V1505-E2B-BROOKS-1

REF. No.	PART No.	PART NAME	Q' TY/S. No.		I. C.	REMARKS
			A	B		
010	16235-6301-0	ASSY STARTER	1	-		
020	16661-6308-0	ASSY YOKE	1	-		
030	11197-6307-0	ASSY ARMATURE	1	-		
040	11460-6350-0	BEARING	1	-		
050	11460-6353-0	BEARING	1	-		
060	16235-6304-0	KIT, STARTER	1	-		
070	16235-6303-0	ASSY HOUSING, STARTER	1	-		
080	16611-6302-0	ASSY SWITCH, MAGNETIC	1	-		
090	17341-6320-0	FRAME, END	1	-		
100	11197-6338-0	ASSY HOLDER, BRUSH	1	-		
110	15401-6339-0	SPRING, BRUSH	4	-		
120	11460-6327-0	GEAR	1	-		
130	11460-6311-0	RETAINER	1	-		
140	19212-6310-0	ROLLER	5	-		
150	11460-6312-0	SPRING	1	-		
160	19212-9713-0	BALL	1	-		
170	11460-9331-0	BOLT	2	-		
180	15511-9666-0	O RING	2	-		
190	11197-6332-0	BOLT	2	-		
200	15511-6376-0	ASSY BOLT	2	-		
210	16611-6345-0	COVER	1	-		
220	13963-9201-0	NUT, HEXAGON	1	-		
230	16611-6366-0	CORD, STOP SOLENOID	1	-		
240	16285-9201-0	NUT, HEXAGON	1	-		
250	16285-6357-0	PIPE, DRAIN	1	-		
260	16612-6310-0	BAND, COVER	1	-		
270	16285-9805-0	ASSY COVER	1	-		

↔ Interchangeable: ≠ not interchangeable: ← new for old: → old for new

0600 VALVE AND ROCKER ARM



16616 021 11

A:V1505-E2B-BROOKS-1

REF. No.	PART No.	PART NAME	Q' TY/S. No.		I. C.	REMARKS
			A	B		
010	16241-1311-0	VALVE, INLET	4	-		#ORDER BY REF. No. 010, 020 NEW PARTS (SET)
010	16241-1311-5	VALVE, INLET	≤6B9999	-		≠
020	16241-1312-0	VALVE, EXHAUST	≥6C0001	-		#ORDER BY REF. No. 010, 020 NEW PARTS (SET)
020	16241-1312-6	VALVE, EXHAUST	≤6B9999	-		≠
030	16271-1324-0	SPRING, VALVE	8	-		
040	16261-1333-0	RETAINER, SPRING	8	-		
050	15261-1336-0	COLLET, VALVE SPRING	8	-		SET
060	10010-1315-0	SEAL, VALVE STEM	8	-		
070	16241-1328-0	CAP, VALVE	8	-		
080	16241-1426-4	SHAFT, ROCKER ARM	1	-		
090	01023-50610	BOLT	2	-		
100	16241-1435-0	BRACKET, ROCKER ARM	4	-		
110	16241-1441-0	STUD	4	-		
120	15261-9201-0	NUT	4	-		
130	15261-9401-0	WASHER, PLAIN	4	-		
140	05411-00428	PIN, SPRING	1	-		
150	16241-1443-0	WASHER, R-ARM. SHAFT	2	-		
160	15841-9402-2	WASHER, PLAIN	2	-		
170	16241-1431-0	SPRING, ROCKER ARM	3	-		
180	----	BLANK	-	-		
190	16241-1403-2	ASSY ROCKER ARM	8	-		
200	16241-1423-0	SCREW, ADJUSTING	8	-		
210	16241-1424-0	NUT	8	-		

↔ Interchangeable: ≠ not interchangeable: ← new for old: → old for new

NUMERICAL INDEX

PART No.	PAGE	REF. No.	PART No.	PAGE	REF. No.	PART No.	PAGE	REF. No.	PART No.	PAGE	REF. No.
E9151-3314-0	5	100	05012-00814	1	110	15601-9665-0	14	100	16040-5212-2	16	060
01023-50610	33	090	05411-00420	18	050		19	030	16060-2111-0	10	010
01023-50614	17	120	05411-00428	33	140	15841-4250-0	19	040	16060-2191-0	10	010
01023-50616	9	090	05712-00518	9	070	15841-5135-0	16	130	16060-5101-0	16	040
	9	160	07715-00201	4	070	15841-5136-0	19	020	16217-5601-4	17	030
	13	110	07715-00401	10	110	15841-5362-2	19	070	16219-7326-0	28	100
	18	140	09318-88150	5	130		20	120	16221-5442-0	14	060
	23	090	11197-6307-0	26	030	15841-5385-0	19	120	16221-5628-0	1	160
	28	050	11197-6332-0	26	190	15841-5386-0	19	130	16221-7327-0	28	110
01023-50618	13	070	11197-6338-0	26	100	15841-7302-0	1	210	16221-9112-0	2	030
01023-50618	34	040	11460-6311-0	26	130	15841-9150-0	16	080	16221-9452-0	1	120
01023-50620	8	080	11460-6312-0	26	150	15841-9202-0	14	030	16222-5751-0	18	110
01023-50625	8	070	11460-6327-0	26	120	15841-9232-0	16	090	16226-3211-0	2	080
01023-50630	29	080	11460-6350-0	26	040	15841-9233-0	14	040	16231-6406-0	24	140
	34	050	11460-6353-0	26	050		14	090	16231-6423-0	24	150
01023-50645	4	120	11460-9331-0	26	170	15841-9402-2	33	160	16231-6485-0	24	160
01023-50655	4	140	13963-9201-0	26	220	15841-9602-0	27	020	16235-6301-0	25	010
	28	060	14182-9203-0	24	270	15841-9665-0	16	120		26	010
01023-50665	4	150	14911-4275-0	16	030	15841-9666-0	16	140	16235-6303-0	26	070
01023-50685	29	090	14971-4275-0	19	050	15876-7415-2	31	040	16235-6304-0	26	060
01023-60650	4	130	15021-3366-0	1	200	15881-6409-0	24	190	16239-7343-0	29	070
	34	060	15108-4329-0	21	080	15881-6411-0	24	020	16241-0175-0	3	010
01123-50830	21	110	15108-4361-0	21	040	15881-6415-0	24	040	16241-0177-0	3	020
	23	030	15108-4378-0	21	050	15881-6426-0	24	120	16241-0345-0	3	100
	25	020	15221-0349-0	1	030	15881-6433-0	24	200	16241-0409-2	8	010
	36	070	15221-3361-0	1	190	15881-6471-0	24	100	16241-0421-2	4	200
01123-50835	28	120	15221-3375-0	2	060	15881-6480-0	24	060	16241-0446-0	8	050
01123-60814	3	030	15221-4317-0	21	060	15881-6481-0	24	080	16241-0454-0	8	020
	7	040	15231-3396-0	1	130	15881-9104-0	24	240		8	095
01123-60816	2	090	15241-3229-0	4	040	15881-9105-0	24	260		8	120
01123-60816	36	060	15261-0337-0	3	090	15881-9201-0	24	030	16241-0454-0	8	140
01173-51085	23	040	15261-1336-0	33	050	15881-9202-0	24	250	16241-0456-0	8	100
01311-10614	15	020	15261-9119-0	12	050	15881-9301-0	24	110	16241-0462-0	12	040
01311-10620	16	070	15261-9201-0	33	120	15881-9302-0	24	210	16241-0481-3	8	040
01754-50620	31	030	15261-9401-0	33	130	15881-9303-0	24	220	16241-0555-0	34	020
01774-61020	36	080	15261-9601-0	1	040	15881-9304-0	24	230	16241-1182-0	3	030
02056-50060	4	180		3	060	15951-9666-0	5	090	16241-1311-0	33	010
	18	160	15272-7242-0	32	020	15952-9233-0	5	080	16241-1312-0	33	020
	22	030	15291-4301-0	21	010	16030-5132-0	16	110	16241-1328-0	33	070
02176-50100	23	050	15291-4320-0	21	020	16032-5316-0	20	060	16241-1403-2	33	190
02761-50040	19	170	15291-8776-0	21	090	16032-5317-0	20	040	16241-1423-0	33	200
03017-50620	4	090	15321-9626-0	3	050	16032-5323-0	20	030	16241-1424-0	33	210
03024-50520	19	140	15401-6339-0	26	110	16032-5328-0	20	070	16241-1426-4	33	080
03054-50510	5	060	15451-9627-0	1	020	16032-5335-0	20	050	16241-1431-0	33	170
04011-50100	23	060	15451-9667-0	2	050	16032-9203-0	20	020	16241-1435-0	33	100
04011-50180	4	030	15471-5798-0	18	100	16032-9404-0	20	080	16241-1441-0	33	110
04015-60080	23	080	15501-7240-0	32	010	16032-9810-0	20	100	16241-1443-0	33	150
04512-60060	4	190	15501-7247-0	32	060	16032-9850-0	20	110	16241-1452-0	5	030
	15	030	15501-7271-0	32	040	16032-9851-0	20	110	16241-1511-0	9	020
	16	100	15511-6376-0	26	200	16032-9852-0	20	110	16241-1627-0	9	080
04512-60060	18	170	15511-9666-0	26	180	16032-9853-0	20	110	16241-1632-0	13	100
	22	040	15521-2353-0	11	210	16032-9854-0	20	110	16241-1651-0	9	060
04512-60100	23	070	15521-2395-0	11	210	16032-9855-0	20	110	16241-2131-0	10	030
04814-00090	7	030	15521-2396-0	11	210	16032-9856-0	20	110	16241-2133-0	10	040
04814-00100	18	040	15521-9361-0	9	050	16032-9857-0	20	110	16241-2198-2	10	060
04814-00160	2	100	15521-9602-0	1	070	16032-9858-0	20	110	16241-2201-2	10	050
04814-10280	10	170		4	025	16032-9859-0	20	110	16241-2214-2	10	070
04814-50300	5	110	15527-7246-0	32	070	16040-1617-0	13	010	16241-2231-0	10	080
05012-00410	4	100	15531-7243-2	32	030	16040-5209-2	16	050	16241-2297-0	10	080
05012-00508	1	100	15601-9665-0	14	050	16040-5211-2	16	050	16241-2298-0	10	080

NUMERICAL INDEX

PART No.	PAGE	REF. No.	PART No.	PAGE	REF. No.	PART No.	PAGE	REF. No.	PART No.	PAGE	REF. No.
16241-2325-0	10	160	16251-7303-4	29	010	16285-5410-3	14	020	1G032-5613-0	17	060
16241-2328-0	10	150	16251-9151-0	35	020	16285-5426-0	14	025	1G032-5615-0	17	070
16241-2347-0	10	180	16251-9152-0	35	030	16285-6357-0	26	250	1G032-5647-0	17	080
16241-2348-0	10	190	16259-0558-0	5	140	16285-9201-0	26	240	1G043-5641-0	17	020
16241-2391-0	10	180	16259-1177-2	34	010	16285-9805-0	26	270	1G065-5115-0	13	040
16241-2392-0	10	180	16259-7351-2	29	050	16286-3375-0	2	040	1G065-5361-0	20	090
16241-2393-0	10	190	16259-7352-0	29	020	16292-2349-0	10	200	1G065-5390-0	19	060
16241-2394-0	10	190	16259-7355-2	29	030	16292-2386-0	10	200		20	010
16241-2411-0	10	120	16261-0404-0	8	090	16292-2387-0	10	200	1G072-1450-0	5	010
16241-2425-0	9	150	16261-0405-0	8	110	16299-5626-0	17	110	1G092-0101-0	1	010
16241-2432-0	9	140	16261-1333-0	33	040	16299-5701-5	18	010	1G092-0304-0	3	040
16241-2436-0	9	120	16261-1354-0	3	070	16299-7411-0	31	010	1G642-7305-0	29	040
16241-2437-0	9	130	16261-1356-0	3	080	16394-0331-0	3	120	1G680-7287-0	30	020
16241-2516-0	12	030	16261-1555-0	9	010	16611-3641-2	7	010	1G911-0512-0	5	050
16241-3365-0	1	140	16261-2105-0	10	020	16611-6302-0	26	080	1G911-0520-0	5	040
16241-3507-0	4	080	16261-2109-0	10	020	16611-6345-0	26	210	1K531-6460-0	24	280
16241-3563-0	10	140	16261-9730-0	13	020	16611-6366-0	26	230	1K581-1251-0	36	040
16241-3693-0	4	060	16261-9731-0	13	030	16612-6310-0	26	260	34150-2758-0	27	010
16241-3695-0	4	050	16261-9732-0	13	220	16613-7270-0	28	010	36200-8272-0	30	030
16241-4201-0	16	020	16264-0413-0	4	110	16614-2501-2	12	010	37560-1236-0	35	010
16241-5111-3	13	050	16264-0436-0	8	030	16616-0150-0	2	010	37560-8851-3	36	010
16241-5119-0	13	060	16264-0482-0	8	060	16622-8916-4	37	010	37560-8852-2	36	050
16241-5412-2	14	070	16264-5214-0	22	020	16652-6431-0	24	180	66436-6402-0	24	090
16241-5506-2	13	170	16264-5721-0	18	130	16652-6477-0	24	070	66436-6404-0	24	050
16241-5526-0	13	180	16264-7292-0	28	040	16652-6478-0	24	130	68111-4239-0	32	050
16241-5527-0	13	160	16264-8315-2	15	040	16661-6308-0	26	020	6C090-5896-0	2	070
16241-5539-2	13	140	16264-8334-2	4	240	16683-9602-0	1	050			
16241-5545-0	13	200	16271-0345-0	3	110	16813-6382-0	12	020			
16241-5546-3	13	210	16271-1324-0	33	030	16851-6551-0	19	150			
16241-5555-4	13	240	16271-1601-0	9	030	17203-7286-0	30	010			
16241-5621-0	17	130	16271-2401-0	9	100	17208-6001-0	15	010			
16241-5625-0	17	100	16271-2498-0	9	110	17331-7334-2	5	070			
16241-5633-0	17	090	16271-3209-2	6	010	17341-6320-0	26	090			
16241-5634-0	17	140	16271-4250-2	19	010	17391-9616-0	1	080			
16241-5716-0	18	030	16271-5371-2	19	080	19077-5365-0	19	075			
16241-6401-2	23	010	16271-5372-2	19	090		20	130			
	24	010	16271-5373-2	19	100	19202-2354-0	11	220			
16241-6442-0	23	020	16271-5374-2	19	110	19202-2397-0	11	220			
16241-6490-0	24	170	16271-5531-3	13	130	19202-2398-0	11	220			
16241-7334-0	29	060	16271-5535-0	1	180	19212-6310-0	26	140			
16241-7335-0	28	070	16271-5541-0	13	230	19212-9713-0	26	160			
16241-7336-0	28	080	16271-5602-3	18	080	19222-4328-0	21	070			
16241-7337-0	28	020	16271-5621-4	17	050	19237-6591-0	23	190			
16241-7425-0	31	020	16271-5648-0	17	010	19298-9602-0	28	030			
16241-9102-0	23	110	16271-5715-0	18	020	19416-4343-3	21	100			
16241-9104-0	4	160	16271-5772-0	18	090	19426-8788-0	37	030			
16241-9202-0	18	070	16271-5774-0	18	120	19426-8790-3	37	020			
16241-9233-0	13	080	16271-6556-0	19	160	19434-7301-4	28	090			
16241-9402-0	18	060	16271-9201-0	36	030	19484-5544-0	13	190			
16241-9523-0	13	090	16271-9523-0	10	130		17	040			
16241-9569-0	16	010	16271-9616-0	1	090	19838-6583-0	23	170			
16241-9601-0	1	060	16282-0406-0	8	130	19872-6588-0	23	180			
16241-9602-0	4	020	16282-2301-3	10	090	1C010-1315-0	33	060			
16241-9626-2	1	150	16282-3650-0	7	020	1C010-6583-0	23	140			
16245-9153-0	4	170	16282-5501-3	13	120	1C010-6588-0	23	150			
16245-9154-0	4	230	16282-5532-0	13	150	1C010-6591-0	23	160			
	18	150	16282-9601-0	1	170	1G021-9665-0	14	110			
16249-7428-0	23	100	16282-9701-0	23	130	1G031-5421-0	14	080			
16251-0402-7	4	010	16285-5203-2	22	010	1G032-0537-0	5	020			
16251-3513-0	4	085	16285-5409-3	14	010	1G032-0551-0	5	120			

KUBOTA

THE BASIC NECESSITIES GIANT

"Technology for the Needs of Tomorrow" is the ambition of everyone at KUBOTA. Through research and the development of new products for agriculture, industry, construction, and many other areas of modern life, we at KUBOTA hope to realize this goal.