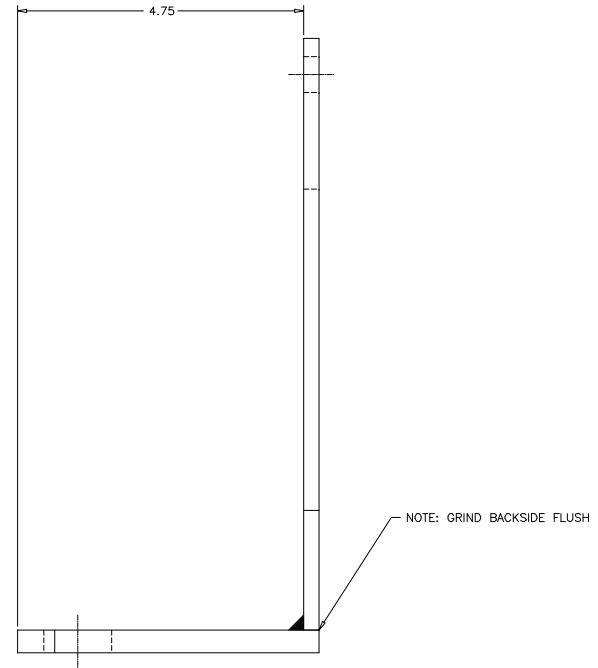
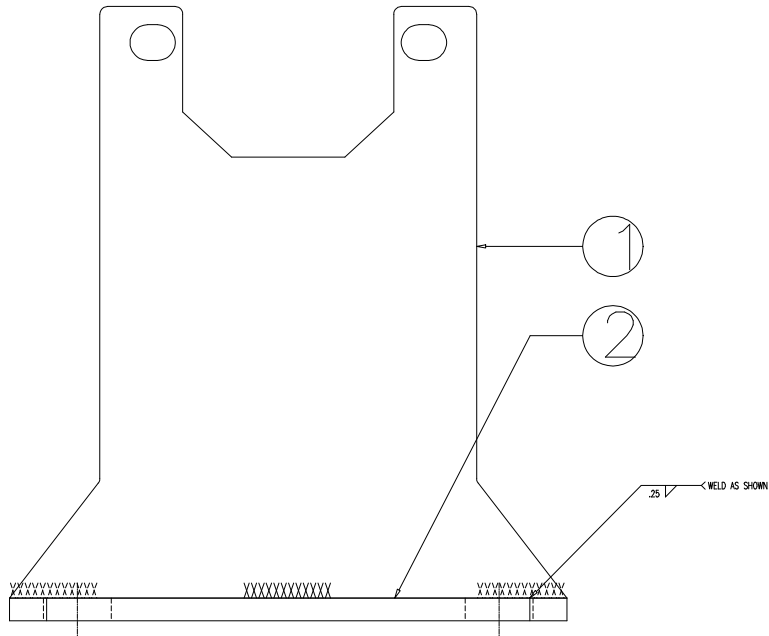
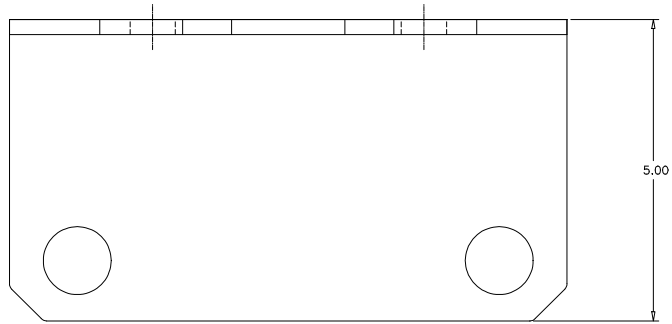


REV	ECN #	DATE	DESCRIPTION OF CHANGE-IS (WAS)	BY:
(A)	5450	02/26/96	RELEASED FOR PRODUCTION	PH

316837A

BILL OF MATERIAL			
ITEM	PART #	DESCRIPTION	QTY
①	316835	PLT-WD MTR MNT UPPER SW/62 DSL	1
②	316836	PLT-WD MTR MNT LWR SW/62 DSL	1



Y
X

<small>THIS DOCUMENT AND ALL INFORMATION CONTAINED IN THIS DOCUMENT ARE CONFIDENTIAL AND PROPRIETARY TO AAR POWERBOSS, INC. (AARPI). UNAUTHORIZED REPRODUCTION OR USE HEREOF IS PROHIBITED. THIS DOCUMENT, OR ANY PART HEREOF, OR ANY INFORMATION CONTAINED HEREIN, MAY NOT BE DUPLICATED, REPRODUCED, OR DISCLOSED TO ANY PERSON FOR ANY PURPOSE EXCEPT AS SPECIFICALLY AUTHORIZED IN WRITING BY AARPI. BY ACCEPTING THIS DOCUMENT, RECIPIENT AGREES TO COMPLY WITH THE FOREGOING AND TO RETURN THIS DOCUMENT TO AARPI IMMEDIATELY UPON REQUEST.</small>		SOURCE: P/N: SEE BOM MATL: SEE BOM FINISH: PAINT MAROON UN-SPECIFIED TOLERANCES: X .1 ANGLE .XX .03 X .1 .XXX .010 X .5		AAR PowerBoss Aberdeen, North Carolina 28315 PHONE (910) 944-2105 FAX (910) 944-7409	
DES. ENG: HENDRICKS ENG. REL: 5450 02/26/96		CAD: PFH DATE: 02/26/96 DESCRIPTION: WELDMENT-MTR MNT SW/62 DSL		PART NO. 316837 REV LEV A SHT NO. 1	