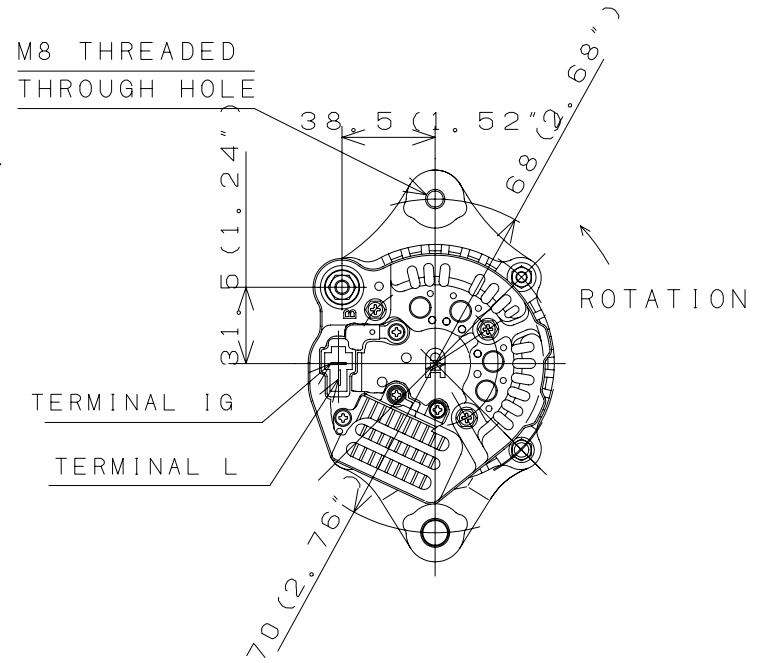
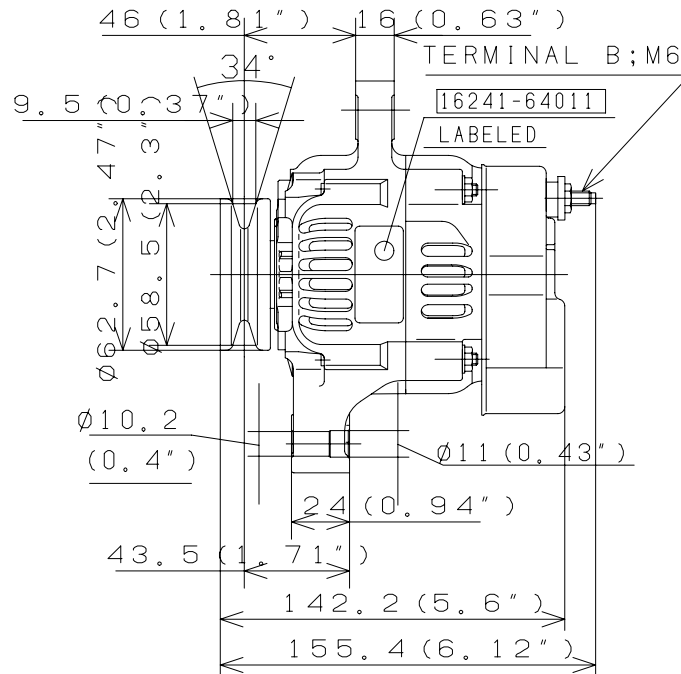


N-C1
PART NO.
16241-64011
KIT SERIAL NO.
359(SM) 425(SM) 214(O5)
KIT NO.
16689-64004 16687-64001 16286-64001

Built in Regulator

Applicable dynamo stay  
is of Code No.  
17548-64421(SM)  
16241-64421(O5)



NOMINAL VOLTAGE; 12V  
MAX. OUTPUT ; 40A (5000rpm)  
(13.5V, HOT STATE)  
WEIGHT ; APPROX. 2.7kg (5.95 lbs)

WIRING DIAGRAM

