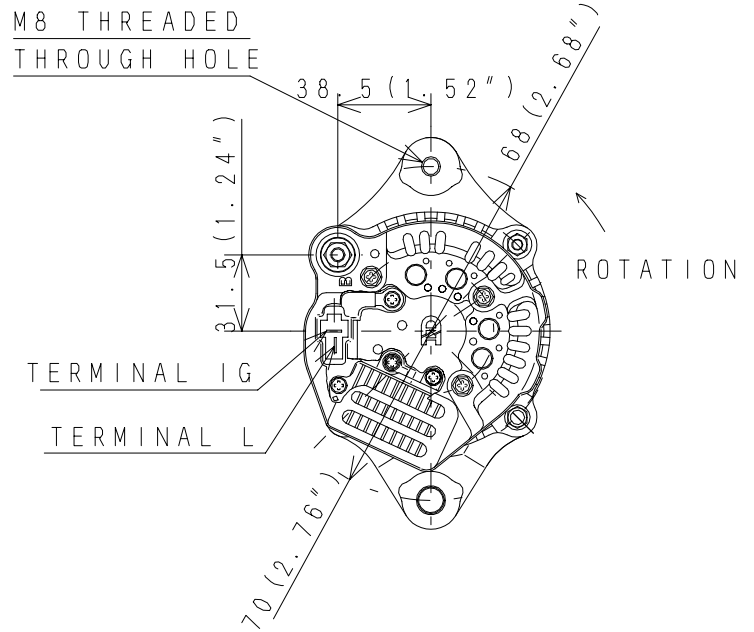
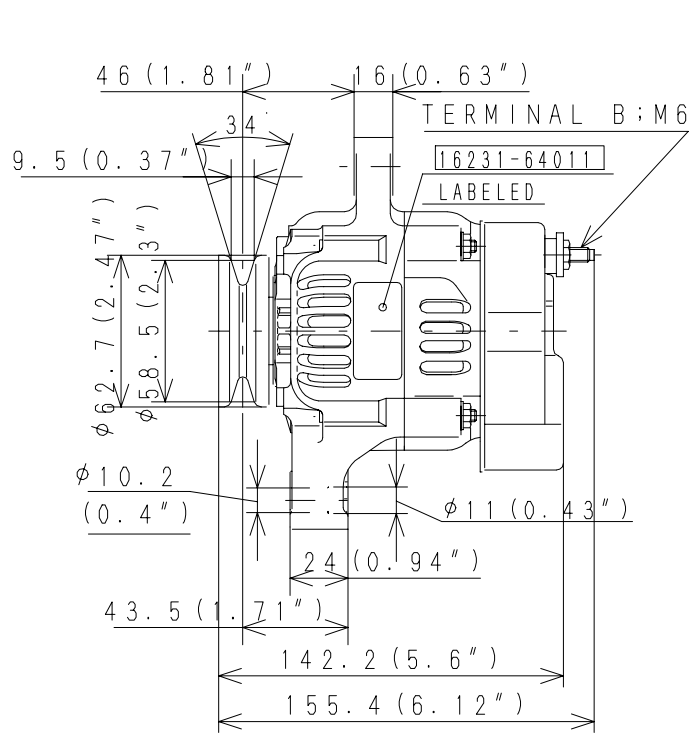


N-2
PART NO.
16231-64011
KIT SERIAL NO.
213
KIT NO.
16285-64001

Built in regulator
 Applicable dynamo stay
 is of Code No.
 16241-64421



NOMINAL VOLTAGE: 12V
 MAX. OUTPUT : 30A (5000rpm)
 (13.5V, HOT STATE)
 WEIGHT : APPROX. 2.7kg (5.95lbs)

WIRING DIAGRAM

