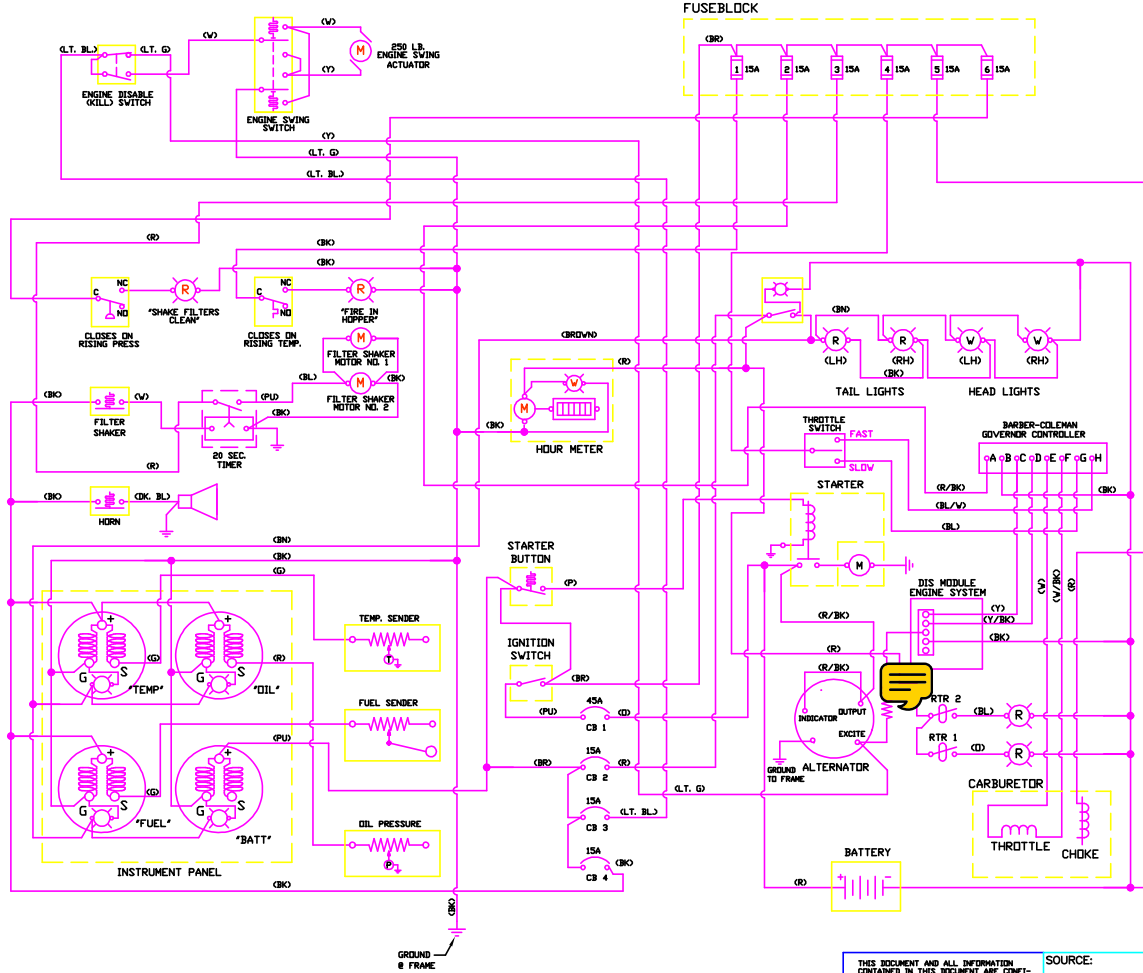


REV	ECH #	DATE	DESCRIPTION OF CHANGE-IS (WAS)	BY:
Ⓐ	6123	08/05/97	RELEASED FOR PRODUCTION	TA



- NOTES:**
1. NOMENCLATURE FOR WIRE COLORS:  
Y = YELLOW  
R = RED  
W = WHITE  
BL = BLUE  
BK = BLACK  
BN = BROWN  
G = GREEN  
GR = GREY  
O = ORANGE  
PU = PURPLE  
T = TAN  
Y/W = YELLOW WITH WHITE STRIPE (TYPICAL NOMENCLATURE FOR STRIPED WIRES)
  2. [ ] ACTUAL COMPONENT TEXT INSIDE THIS BOX IS TYPICALLY STAMPED ON COMPONENT.
  3. [ ] GROUPING OF RELATED COMPONENTS.
  5. ALL SWITCHES SHOWN IN OFF POSITION.

308230 A

<p>THIS DOCUMENT AND ALL INFORMATION CONTAINED IN THIS DOCUMENT ARE CONFIDENTIAL AND PROPRIETARY TO AAR POWERBOSS, INC. (AAR). UNAUTHORIZED REPRODUCTION OR USE OF THIS DOCUMENT OR ANY INFORMATION CONTAINED HEREIN, WITHOUT THE EXPRESS WRITTEN PERMISSION OF AAR, IS PROHIBITED. BY ACCEPTING THIS DOCUMENT, RECIPIENT AGREES TO COMPLY WITH THE FOREGOING AND TO RETURN THIS DOCUMENT TO AAR IMMEDIATELY UPON REQUEST. UNPUBLISHED—ALL RIGHTS RESERVED UNDER COPYRIGHT LAWS.</p>		<p>SOURCE:  PNL:  MATL:  FINISH:  UNSPECIFIED TOLERANCES:  .XX .03  .XXX .010  ANGULAR:  X .1°  X .5°</p>
<p>DESCRIPTION SCHEMATIC DIAGRAM FOR 9XV GAS (FORD)</p>		<p>DATE: 08/05/97</p>
<p>DES. ENG: F.L.  ENG. REL:</p>		<p>REV A  LEV 1</p>
<p>PART NO. 308230</p>		<p>SHT NO. 1 OF 1</p>

**AAR PowerBoss**  
Aberdeen, North Carolina 28315  
PHONE (910) 944-2105 FAX (910) 944-7409