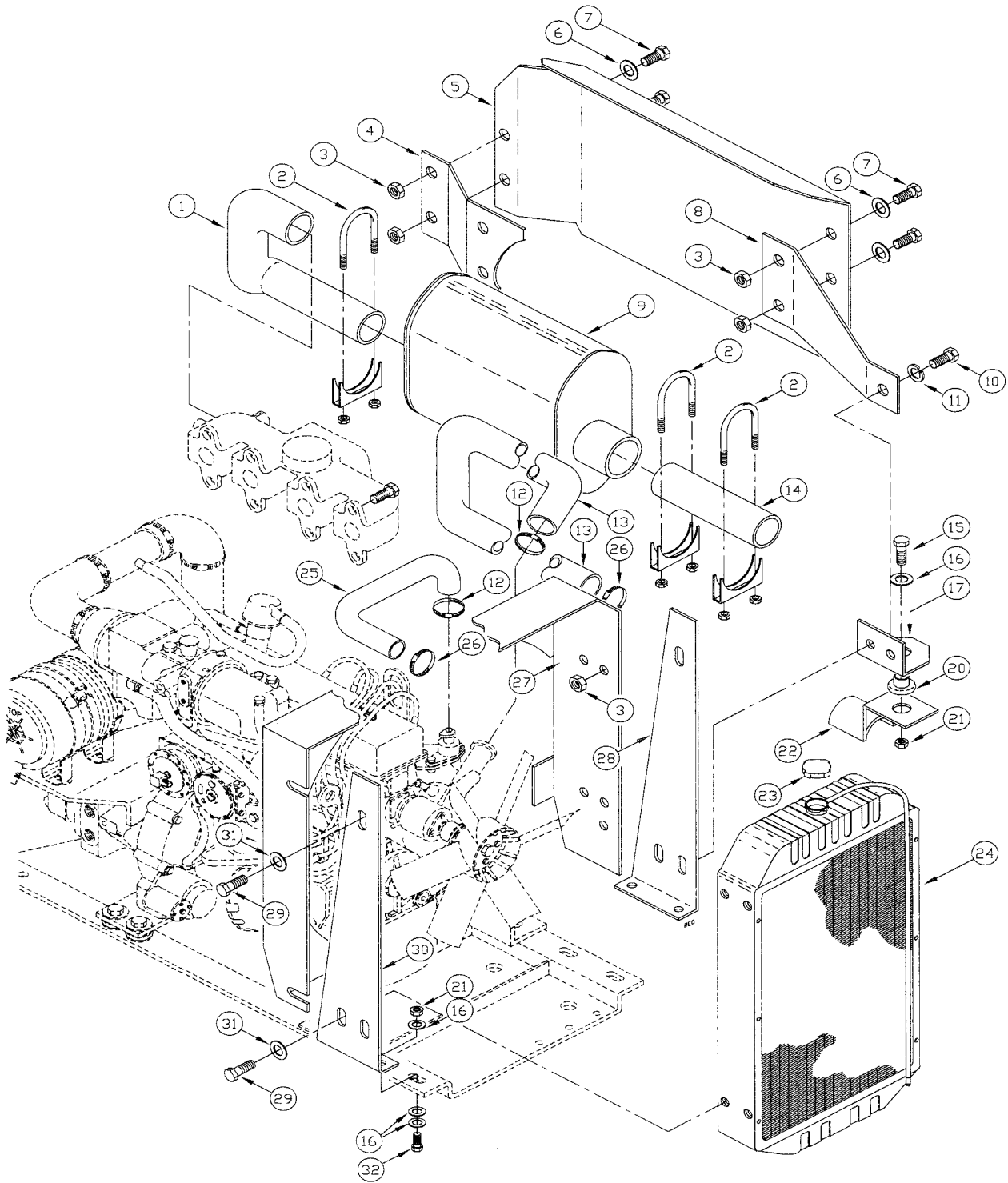


ENGINE (LPG) GROUP (CONT.)



010PH009

ENGINE (LPG) GROUP (CONT.)

REF#	PART #	DESCRIPTION	QUANTITY
1	316165	TUBE-EXHAUST MANIFLD FORD ARMA	1
2	301640	CLAMP-EXHAUST 1 3/4	4
3	400063	NUT-FLANGE LOCK 1/4-20 ZP	8
4	316166	MNT-HEAT SHIELD REAR FORD ARMA	1
5	307787	PLT-HEAT SHIELD SW/A	1
6	400383	WASHER-CONICAL SPRING 1/4	8
7	400042	SCR-HEX 1/4-20X0.75 ZP	8
8	307973	MNT-HEAT SHIELD REAR KBA PNTD	1
9	302913	MUFFLER-SPARK ARRESTOR SW KIT	1
10	400035	SCR-HEX 5/16-18X1.00 ZP	4
11	400102	WASHER-LOCK 5/16 SPLIT ZP	10
12	302193	CLAMP-HOSE 1.25 NOM	2
13	317672	HOSE-RADIATOR LOWER 1.3L FORD	1
14	300538	TUBE-EXHAUST TAIL SW	1
15	400028	SCR-HEX 3/8-16X1.50 ZP	3
16	400278	WASHER-FENDER 3/8	13
17	307797	MNT-EXHAUST PIPE SW/A PNTD	1
20	300465	MOUNT-ISOLATION SMALL	1
21	400079	NUT-HEX 3/8-16 ES ZP	5
22	307798	BAR-MOUNT EXHAUST SW/A PLTD	1
23	300420	CAP-RADIATOR	1
24	301995	RADIATOR-HEAVY DUTY	1
25	316233	HOSE-RADIATOR UPPER 1.3L FORD	1
26	303255	CLAMP-HOSE 1 3/4 NOM.	4
27	317667	ASSY-SHROUD RAD FORD 1.3L	1
28	307175	MNT RH-RADIATOR SW/A PNTD	1
29	400036	SCR-HEX 5/16-18X0.75 ZP	6
30	307176	MNT LH-RADIATOR SW/A PNTD	1
31	400088	WASHER-FLAT 5/16 STANDARD ZP	6
32	400029	SCR-HEX 3/8-16X1.25 ZP	9



ENGINE (FORD SERVICE PARTS) GROUP

REF#	PART #	DESCRIPTION
	340016	FORD - ADAPTER
	340200	FORD - ADAPTER CARB SIDE DRAFT
	340181	FORD - ADAPTER FUEL PUMP
	340190	FORD - ADAPTER VAC LINE
	340211	FORD - ALTERNATOR 55 AMP
	340219	FORD - ARM ADJUSTING ALTERNATOR
	340066	FORD - ARM TENSIONER
	340071	FORD - ARM VALVE LEFT
	340070	FORD - ARM VALVE RIGHT
	340228	FORD - BELT WATER PUMP & ALTERNATOR
	340160	FORD - BELT WATER PUMP TO ALTERNATOR
	340007	FORD - BLOCK CYLINDER
	340008	FORD - BLOCK CYLINDER ASSEMBLY
	340023	FORD - BOLT CYLINDER HEAD
	340156	FORD - BOLT FAN TO SPACER
	340046	FORD - BOLT FT COV & W/P TO BLK
	340047	FORD - BOLT FT COV TO BLK M6 X 18
	340045	FORD - BOLT FT COV TO BLK M6 X 50
	340220	FORD - BOLT M10 X 25 ENG
	340149	FORD - BOLT M6 X 14 OIL PAN
	340058	FORD - BOLT M6 X 16
	340064	FORD - BOLT M6 X 16 TEN TO BLK
	340169	FORD - BOLT M6 X 40 FT COV TO BLK
	340063	FORD - BOLT M6 X 55 TEN TO BLK
	340202	FORD - BOLT M6 X 95 CARB
	340061	FORD - BOLT M8 X 16
	340112	FORD - BOLT M8 X 20
	340226	FORD - BOLT M8 X 20 ALT
	340163	FORD - BOLT M8 X 20 THER
	340225	FORD - BOLT M8 X 25 ALT
	340178	FORD - BOLT M8 X 25 INTAKE
	340221	FORD - BOLT M8 X 40 ACT TO BRKT
	340222	FORD - BOLT M8 X 50 ALT TO BRKT
	340018	FORD - BOLT MAIN BRG CAP
	340231	FORD - BOLT MNT STARTER
	340159	FORD - BOLT MS X 20 FAN BD
	340134	FORD - BOLT OIL PAN
	340102	FORD - BOLT PULLEY TO CRANK
	340075	FORD - BOLT ROCK SUPPORT
	340120	FORD - BOLT TO RD CONN
	340054	FORD - BRG - CENT & RR STD ID .02 OD
	340053	FORD - BRG CENT & RR STD

ENGINE (FORD SERVICE PARTS) GROUP

REF#	PART #	DESCRIPTION
	340214	FORD - BRG FRT ALTERNATOR
	340051	FORD - BRG FRT STD
	340052	FORD - BRG FT STD ID .020 ID
	340122	FORD - BRG ROD CONN 001
	340123	FORD - BRG ROD CONN 010
	340124	FORD - BRG ROD CONN 020
	340125	FORD - BRG ROD CONN 030
	340121	FORD - BRG ROD CONN STD
	340215	FORD - BRG RR ALTERNATOR
	340218	FORD - BRKT MNT ALTERNATOR
	340217	FORD - BRUSH ALTERNATOR
	340050	FORD - CAMSHAFT
	340038	FORD - CAP OIL FILL
	340174	FORD - CAP WATER OUTLET NIPPLE
	322523	FORD - CARBURETOR - 1.3L DWN DRFT W/ACTUATOR
	322564	FORD - CARBURETOR - LPG DOWNDRAFT FORD
	340196	FORD - CARBURETOR ASSEMBLY
	340049	FORD - CHAIN ASSY TIMING
	340244	FORD - CLAMP FUEL HOSE
	340175	FORD - CLAMP HOSE
	340172	FORD - CLAMP HOSE 1.12
	340206	FORD - CLAMP HOSE 1.12
	340161	FORD - CONNECTOR WATER OUT
	340235	FORD - CONTROL ASSEMBLY IGNITION
	322525	FORD - CONTROLLER - 1.3L GAS ELEC GOV
	322530	FORD - CONTROLLER - 1.3L LP ELEC GOV
	340033	FORD - COVER ROCKER ARM
	340015	FORD - COVER SWITCH
	340082	FORD - CRANKSHAFT ASSEMBLY
	340145	FORD - DIPSTICK OIL LEVEL
	340055	FORD - DOWEL
	340131	FORD - DOWEL CLUTCH
	340024	FORD - DOWEL CYL TO BLOCK
	340126	FORD - DOWEL PIN CONNECTOR ROD
	340230	FORD - DRIVE ASSEMBLY
	340203	FORD - ELBOW 90 DEGREE
	340180	FORD - ELBOW 90 DEGREE 1/8-27
	340154	FORD - FAN 6-BLADE
	340179	FORD - FILTER ASSEMBLY FUEL
	340147	FORD - FILTER OIL
	340129	FORD - FLYWHEEL & CLUTCH ASSEMBLY
	340183	FORD - FUEL PUMP



ENGINE (FORD SERVICE PARTS) GROUP (CONT.)

REF#	PART #	DESCRIPTION
	322527	FORD - GASKET - CARB ADAPTOR TO INT MANIF
	322526	FORD - GASKET - CARB ADAPTOR TO CARB
	340201	FORD - GASKET ADAPTER TO MANIFOLD
	340197	FORD - GASKET CARBURETOR
	340022	FORD - GASKET CYLINDER HEAD
	340004	FORD - GASKET FRONT COVER
	340001	FORD - GASKET FUEL PUMP
	340000	FORD - GASKET KIT ENGINE
	340187	FORD - GASKET MANIFOLD EXHAUST
	340177	FORD - GASKET MANIFOLD INTAKE
	340153	FORD - GASKET OIL PAN PLUG
	340136	FORD - GASKET OIL PP & O BLK
	340005	FORD - GASKET REAR RETAINER
	340034	FORD - GASKET ROCKER ARM COVER
	340166	FORD - GASKET THERMOSTAT
	340162	FORD - GASKET WATER OUT
	340168	FORD - GASKET WATER PUMP
	340140	FORD - GEAR OIL
	340208	FORD - GOVERNOR HOOF
	340243	FORD - HARNESS WIRE ASSEMBLY
	340021	FORD - HEAD ASSEMBLY CYLINDER
	340205	FORD - HOSE ADAPTER TO INTAKE MANIFOLD
	340204	FORD - HOSE ADAPTER TO WATER PUMP
	340171	FORD - HOSE BY-PASS
	340182	FORD - HOSE FUEL 5/16 ID X 18
	340041	FORD - HOSE PCV
	340132	FORD - HOUSING ASSEMBLY
	340233	FORD - IGNITION ASSEMBLY
	340039	FORD - INSERT EX VLV ST
	340040	FORD - INSERT IN VLV ST
	340107	FORD - KEY WOODRUFF
	340207	FORD - KIT CARBURETOR REPAIR
	340192	FORD - KIT INTAKE MANIFOLD PLUG
	340151	FORD - KIT OIL PAN GASKET
	340213	FORD - KIT PULLEY INST
	340167	FORD - KIT WATER PUMP & PULLEY
	340194	FORD - LIFETIME EYE
	340017	FORD - LINER CYLINDER
	340032	FORD - LOCK VLV SPRING
	340089	FORD - MAIN BEARING CRK LOW 005-010
	340090	FORD - MAIN BEARING CRK LOW 015-020
	340084	FORD - MAIN BEARING CRK LOWER 005
	340085	FORD - MAIN BEARING CRK LOWER 010
	340086	FORD - MAIN BEARING CRK LOWER 015



ENGINE (FORD SERVICE PARTS) GROUP (CONT.)

REF#	PART #	DESCRIPTION
	340087	FORD - MAIN BEARING CRK LOWER 020
	340088	FORD - MAIN BEARING CRK LOWER 030
	340083	FORD - MAIN BEARING CRK LOWER STD
	340092	FORD - MAIN BEARING CRK UP 005
	340097	FORD - MAIN BEARING CRK UP 005-010
	340093	FORD - MAIN BEARING CRK UP 010
	340094	FORD - MAIN BEARING CRK UP 015
	340098	FORD - MAIN BEARING CRK UP 015-020
	340095	FORD - MAIN BEARING CRK UP 020
	340096	FORD - MAIN BEARING CRK UP 030
	340091	FORD - MAIN BEARING CRK UP STD
	340186	FORD - MANIFOLD EX DN OUT
	340176	FORD - MANIFOLD INTAKE
	340223	FORD - NUT M8 ALT TO BRACKET
	340198	FORD - NUT M8 CARB TO ADAPTER
	340189	FORD - NUT M8UB5 MAN TO CYL
	340148	FORD - OIL PAN W/ PLUG
	340081	FORD - PIN COTTER 3/32 X 7/8
	340141	FORD - PIN DRIVE GEAR
	340067	FORD - PIN TENSIONER
	340114	FORD - PISTON PIN RING ASSEMBLY 020
	340115	FORD - PISTON PIN RING ASSEMBLY 040
	340113	FORD - PISTON PIN RING ASSEMBLY STD
	340056	FORD - PLATE THRUST
	340012	FORD - PLUG 1/4 NPT
	340010	FORD - PLUG 51MM (2.01)
	340013	FORD - PLUG BALL OIL 11MM
	340009	FORD - PLUG EX 1.639 DIA
	340173	FORD - PLUG FAN MOT STCH
	340193	FORD - PLUG MAN
	340152	FORD - PLUG OIL DRAIN
	340144	FORD - PLUG OIL PUMP
	340078	FORD - PLUG SHAFT END
	340142	FORD - PLUNGER OIL
	340011	FORD - PLUG 1/4 NPT
	340212	FORD - PULLEY
	340101	FORD - PULLEY CRK 2-GROOVE
	340158	FORD - PULLEY WATER PUMP
	340133	FORD - PUMP OIL GEAR
	340109	FORD - REAR RETAINER ASSEMBLY
	340216	FORD - REGULATOR ASSEMBLY ALTERNATOR
	340031	FORD - RETAINER
	340057	FORD - RETAINER CAMSHAFT

ENGINE (FORD SERVICE PARTS) GROUP (CONT.)

REF#	PART #	DESCRIPTION
	340060	FORD - RETAINER SPROCKET
	340130	FORD - RING GEAR FLW 135TH
	340117	FORD - RING SET PISTON 020
	340118	FORD - RING SET PISTON 040
	340116	FORD - RING SET PISTON STD
	340119	FORD - ROD ASSEMBLY CONNECTOR
	340069	FORD - ROD VLV PUSH
	340138	FORD - ROTOR & SHAFT
	340195	FORD - SCREW & WASHER
	340185	FORD - SCREW & WASHER M8 X 30
	340020	FORD - SCREW M6 X 14
	340234	FORD - SCREW M8 X 14 IG
	340035	FORD - SCREW ROCKER COV HEAD
	340072	FORD - SCREW VLV ARM
	340042	FORD - SEAL ASSEMBLY CYLINDER FRONT
	340139	FORD - SEAL COVER PLATE OIL
	340110	FORD - SEAL CRANKSHAFT REAR
	340043	FORD - SEAL FRONT COVER
	340104	FORD - SEAL FRONT COVER
	340030	FORD - SEAL VLV STEM
	340240	FORD - SEPARATOR IGNITION WIRE
	340241	FORD - SEPARATOR IGNITION WIRE
	340077	FORD - SHAFT ASSEMBLY
	340105	FORD - SLINGER OIL
	340157	FORD - SPACER FAN
	340210	FORD - SPACER FOX GOVERNOR
	340242	FORD - SPARK PLUG
	340076	FORD - SPRING LOCATING
	340143	FORD - SPRING OIL
	340029	FORD - SPRING VALVE
	340059	FORD - SPROCKET CAMSHAFT
	340106	FORD - SPROCKET CRANKSHAFT
	340229	FORD - STARTER MOTOR
	340155	FORD - STRAP FAN
	340188	FORD - STUD M8 X 27.5 MAN TO CYL
	340199	FORD - STUD M8 X29.5 CARB TO ADP
	340073	FORD - SUPPORT ARM SHAFT
	340014	FORD - SWITCH OIL PRESSURE
	340068	FORD - TAPPET STD
	340062	FORD - TENSIONER
	340165	FORD - THERMOSTAT ASSEMBLY 160 DEGREE
	340019	FORD - TRANSDUCER IGNITION



ENGINE (FORD SERVICE PARTS) GROUP (CONT.)

REF#	PART #	DESCRIPTION
	340137	FORD - TUBE ASSEMBLY OIL PUMP
	340146	FORD - TUBE OIL LEVEL DIPSTICK
	340028	FORD - VALVE EXHAUST .40MM
	340027	FORD - VALVE EXHAUST STD
	340026	FORD - VALVE INTAKE .40MM
	340025	FORD - VALVE INTAKE STD
	340065	FORD - WASHER 1/4 LOCK
	340074	FORD - WASHER B10 X 20 X 2.5
	340036	FORD - WASHER FLAT 6MM
	340080	FORD - WASHER FLAT TYPE
	340048	FORD - WASHER LOCK M6
	340170	FORD - WASHER M6 LOCK THER
	340224	FORD - WASHER M8 FLT ALT TO BRK
	340111	FORD - WASHER M8 LK
	340227	FORD - WASHER M8 LK ACT
	340135	FORD - WASHER M8 LOCK
	340164	FORD - WASHER M8 LOCK THER
	340100	FORD - WASHER MAIN BRG 015
	340099	FORD - WASHER MAIN BRG STD
	340103	FORD - WASHER PULLEY TO CRANKSHAFT
	340079	FORD - WASHER SPRING
	340236	FORD - WIRE ASSEMBLY SPARK PLUG #1
	340237	FORD - WIRE ASSEMBLY SPARK PLUG #2
	340238	FORD - WIRE ASSEMBLY SPARK PLUG #3
	340239	FORD - WIRE ASSEMBLY SPARK PLUG #4